



US00D343539S

# United States Patent [19]

[11] Patent Number: **Des. 343,539**

Heikkila et al.

[45] Date of Patent: **\*\* Jan. 25, 1994**

## [54] PASTE TUBE DISPENSER

Primary Examiner—Brian N. Vinson  
Attorney, Agent, or Firm—Jack N. McCarthy

[76] Inventors: **Unto A. Heikkila**, Tuurintie 1, SF 20100 Turku; **Hannu K. Hartman**, Rauhankatu 1, 20100 Turku 10, both of Finland

## [57] CLAIM

The ornamental design for a paste tube dispenser, as shown and described.

[\*\*] Term: **14 Years**

## DESCRIPTION

[21] Appl. No.: **463**

FIG. 1 is a top plan view of a paste tube dispenser showing our new design;

[22] Filed: **Oct. 15, 1992**

FIG. 2 is a side elevational view thereof;

[52] U.S. Cl. .... **D6/541**

FIG. 3 is an end elevational view thereof;

[58] Field of Search ..... **D6/541; 206/277; 222/92, 95, 102; 248/108**

FIG. 4 is an opposite end elevational view thereof;

FIG. 5 is a vertical cross-sectional view thereof, taken along line 5—5 of FIG. 1;

## [56] References Cited

### U.S. PATENT DOCUMENTS

D. 170,517	10/1953	Bateman	.....	D6/541
D. 335,601	5/1993	Heikkila et al.	.....	D6/541
1,618,377	2/1927	Hamilton	.....	D6/541 X
3,326,419	6/1967	Zentner	.....	222/101
4,010,873	3/1977	Mardirossian	.....	222/101

FIG. 6 is a vertical cross-sectional view thereof, taken along line 6—6 of FIG. 1;

FIG. 7 is an opposite side elevational view thereof;

FIG. 8 is a bottom plan view thereof; and,

FIG. 9 is a top perspective view thereof, with the broken-line disclosure of a paste tube being for illustrative purposes only and forming no part of the claimed design.

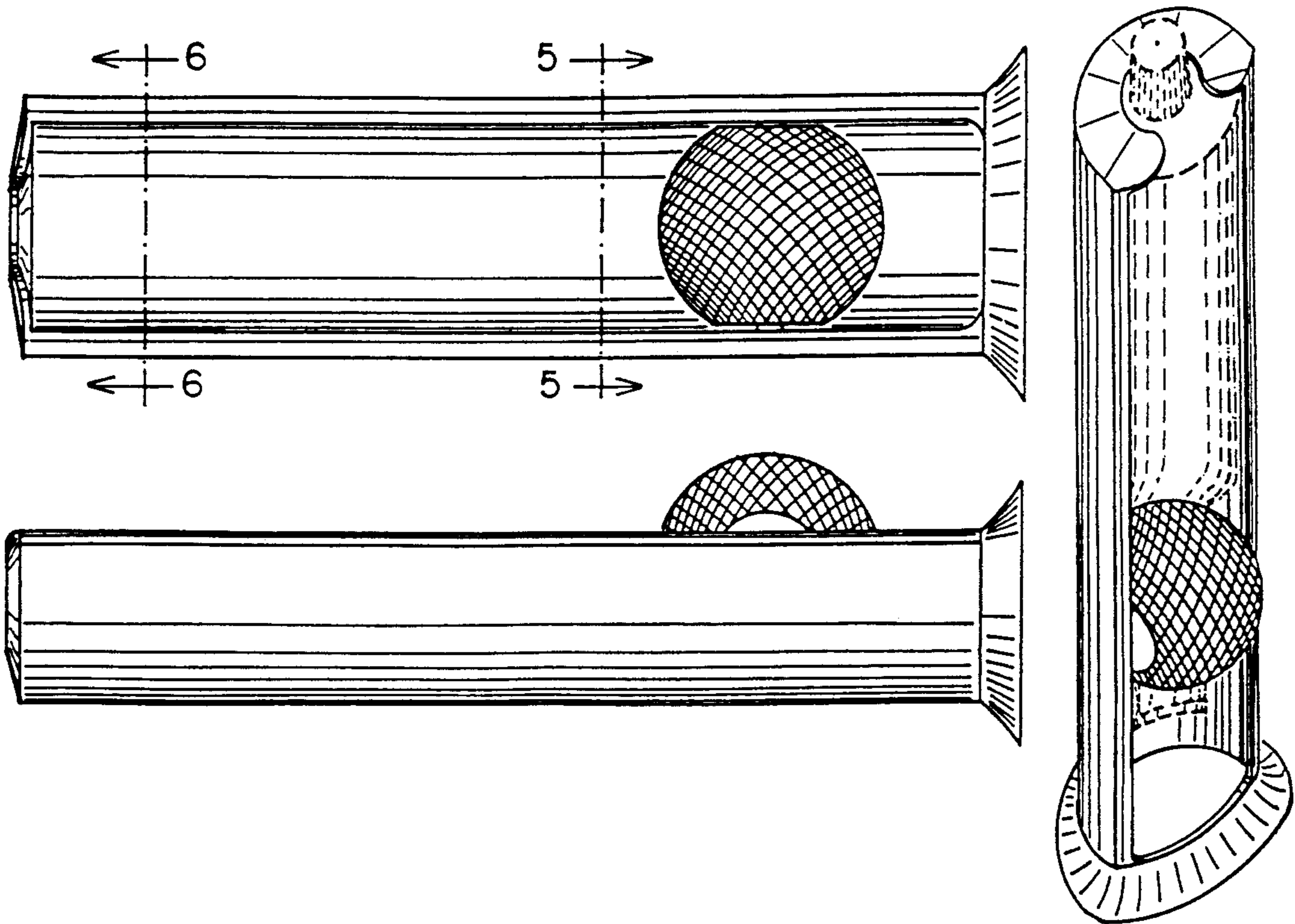


FIG. 1

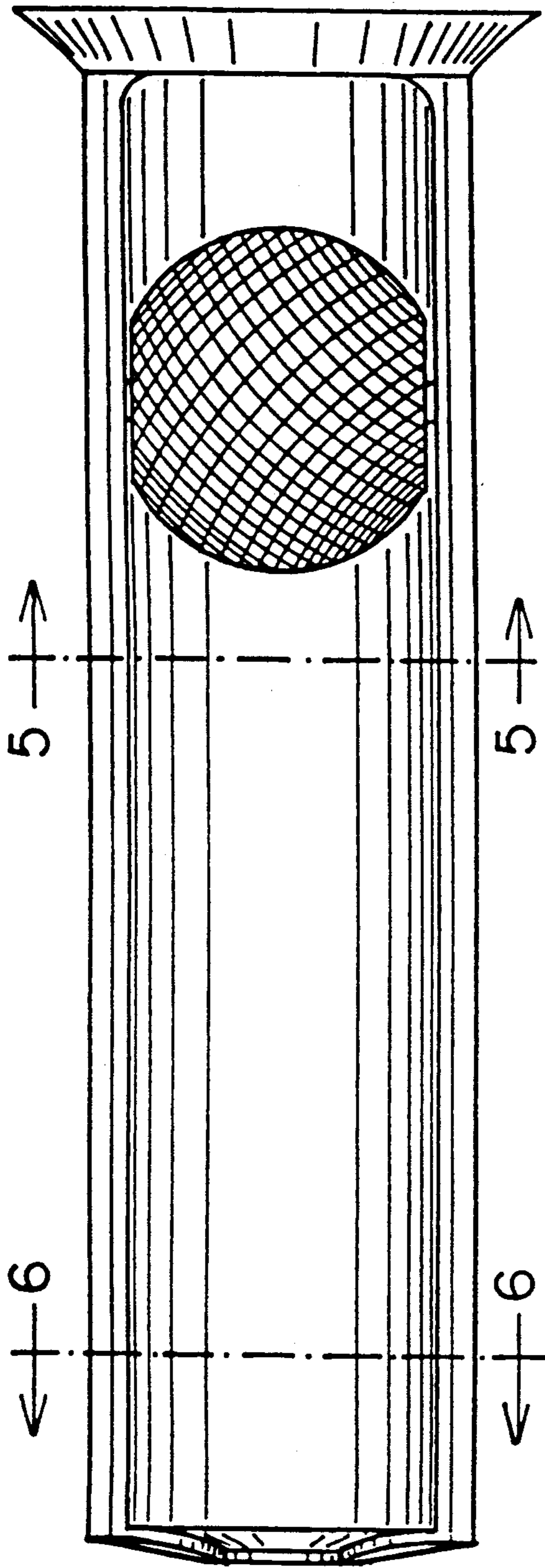


FIG. 2

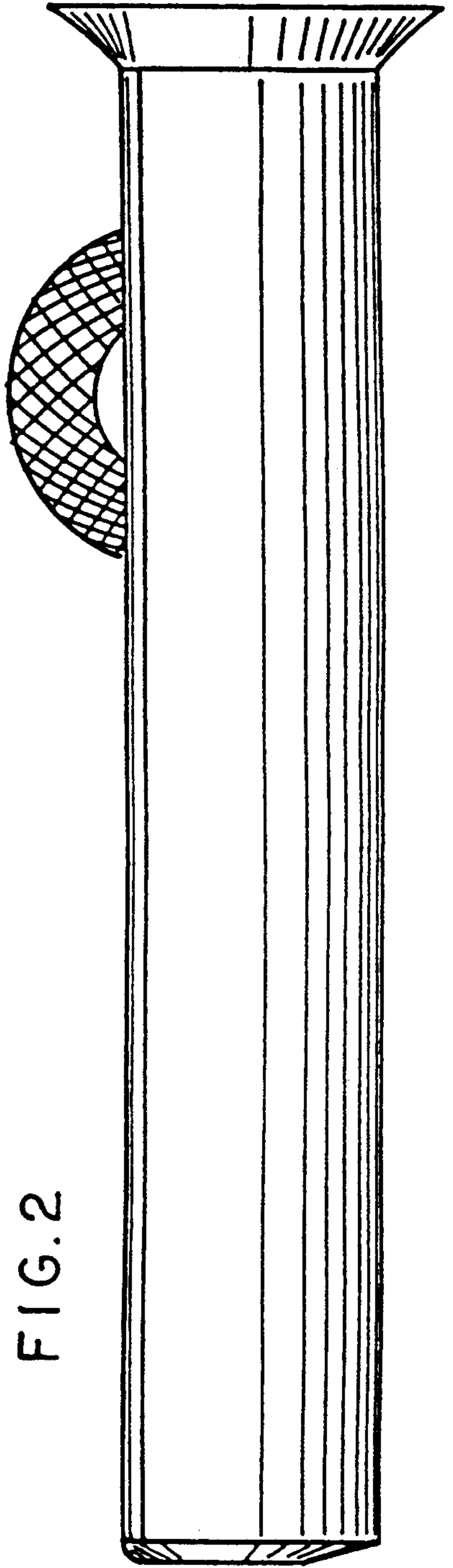


FIG. 3

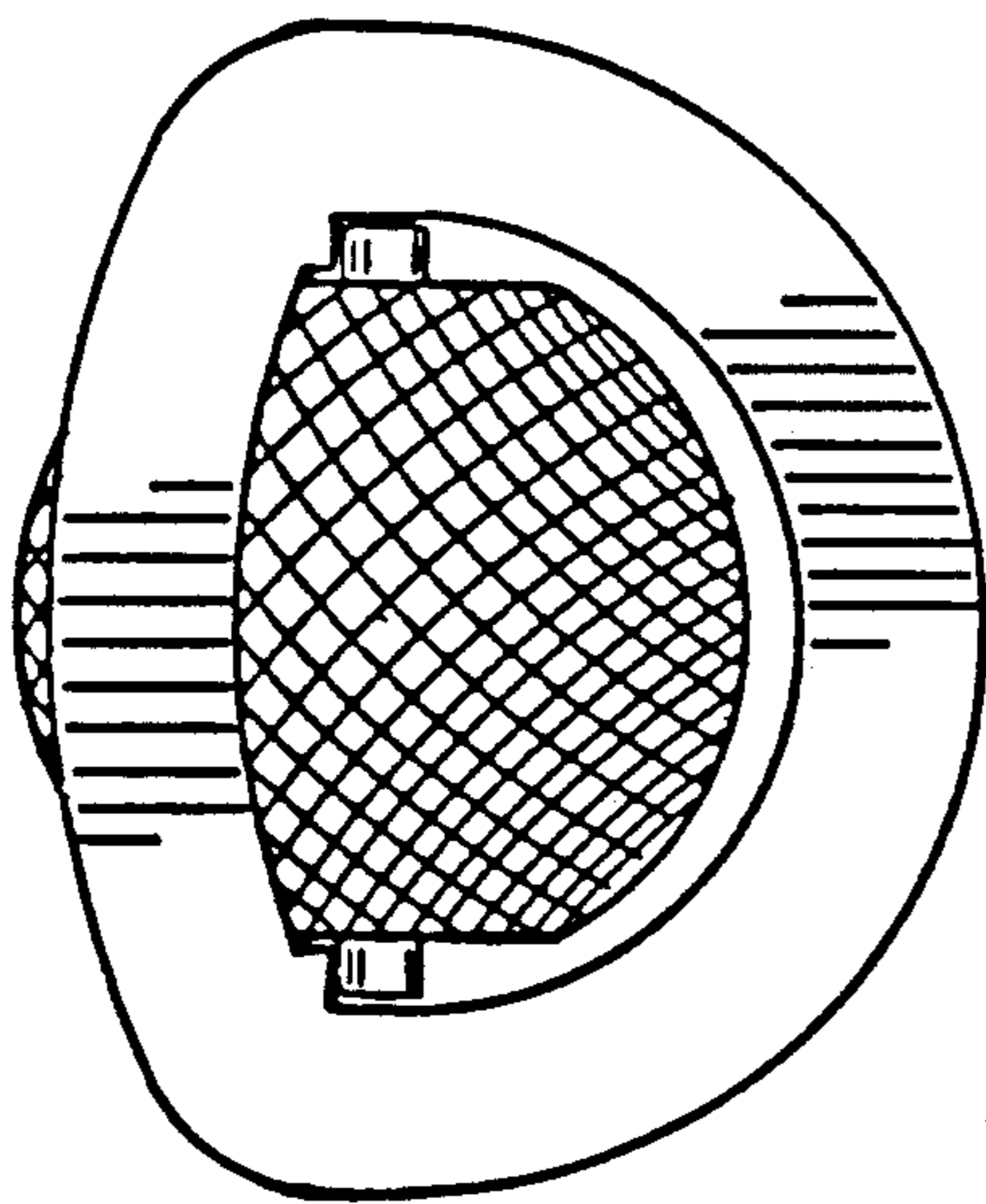


FIG. 4

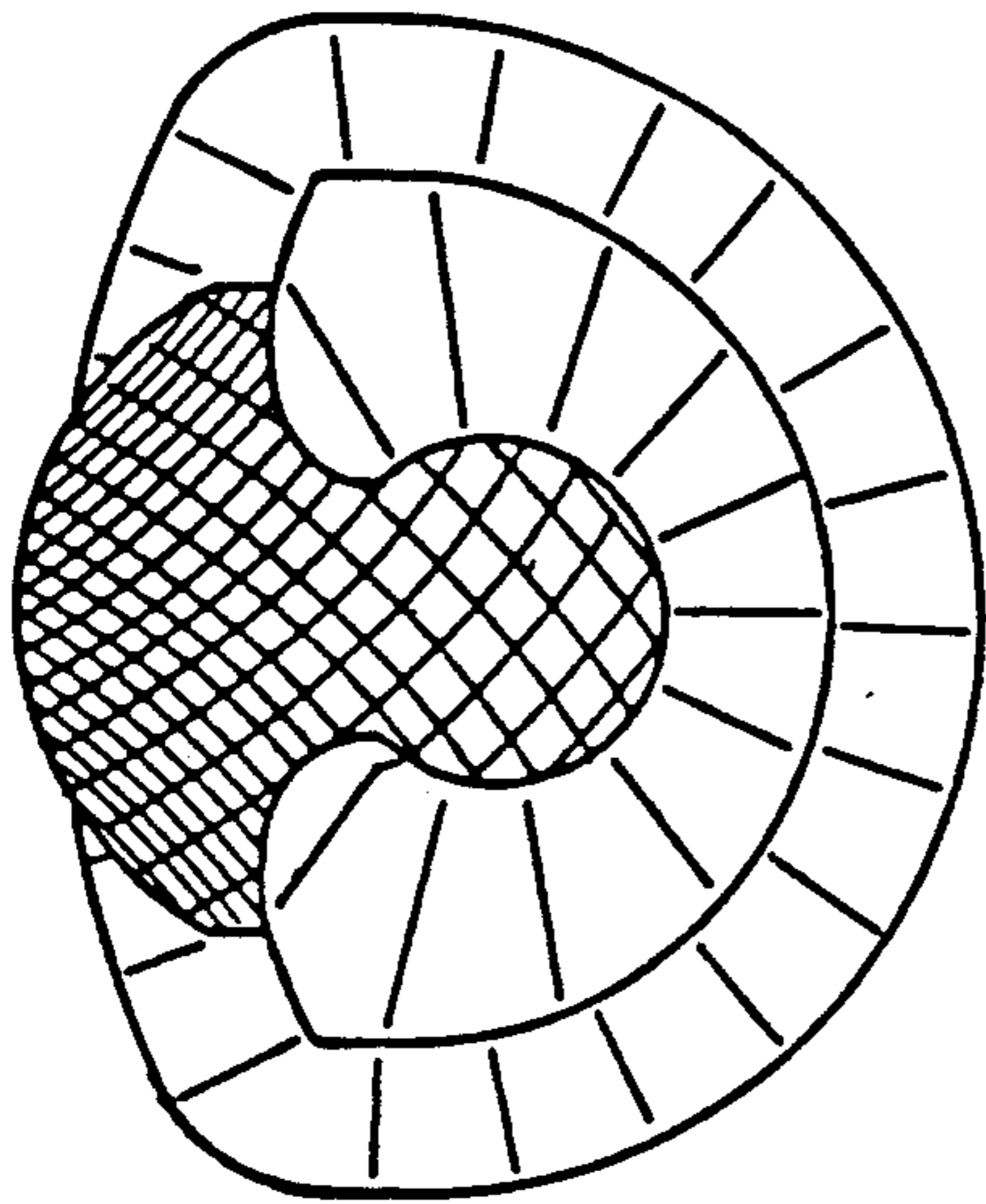


FIG. 5

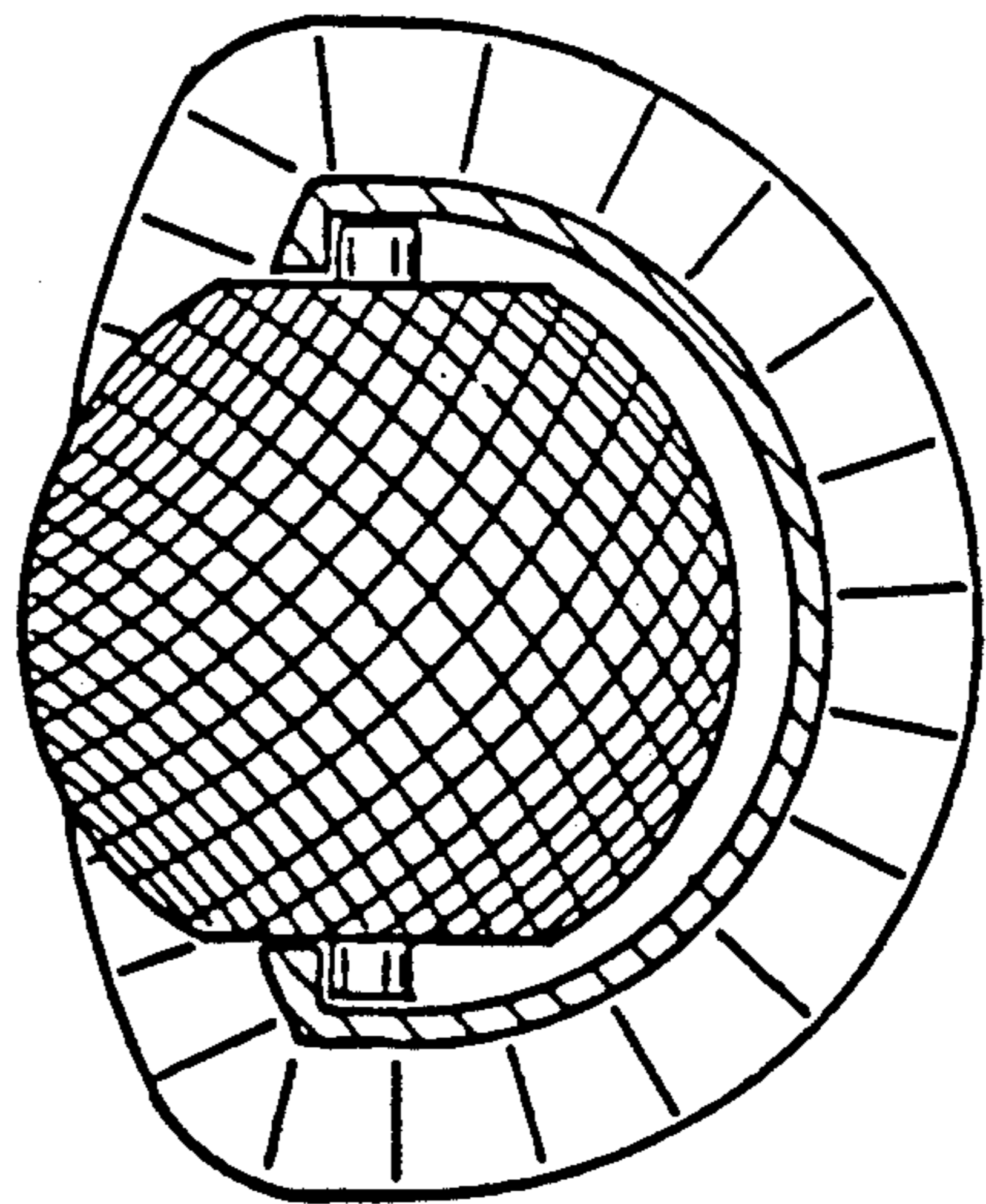


FIG. 6

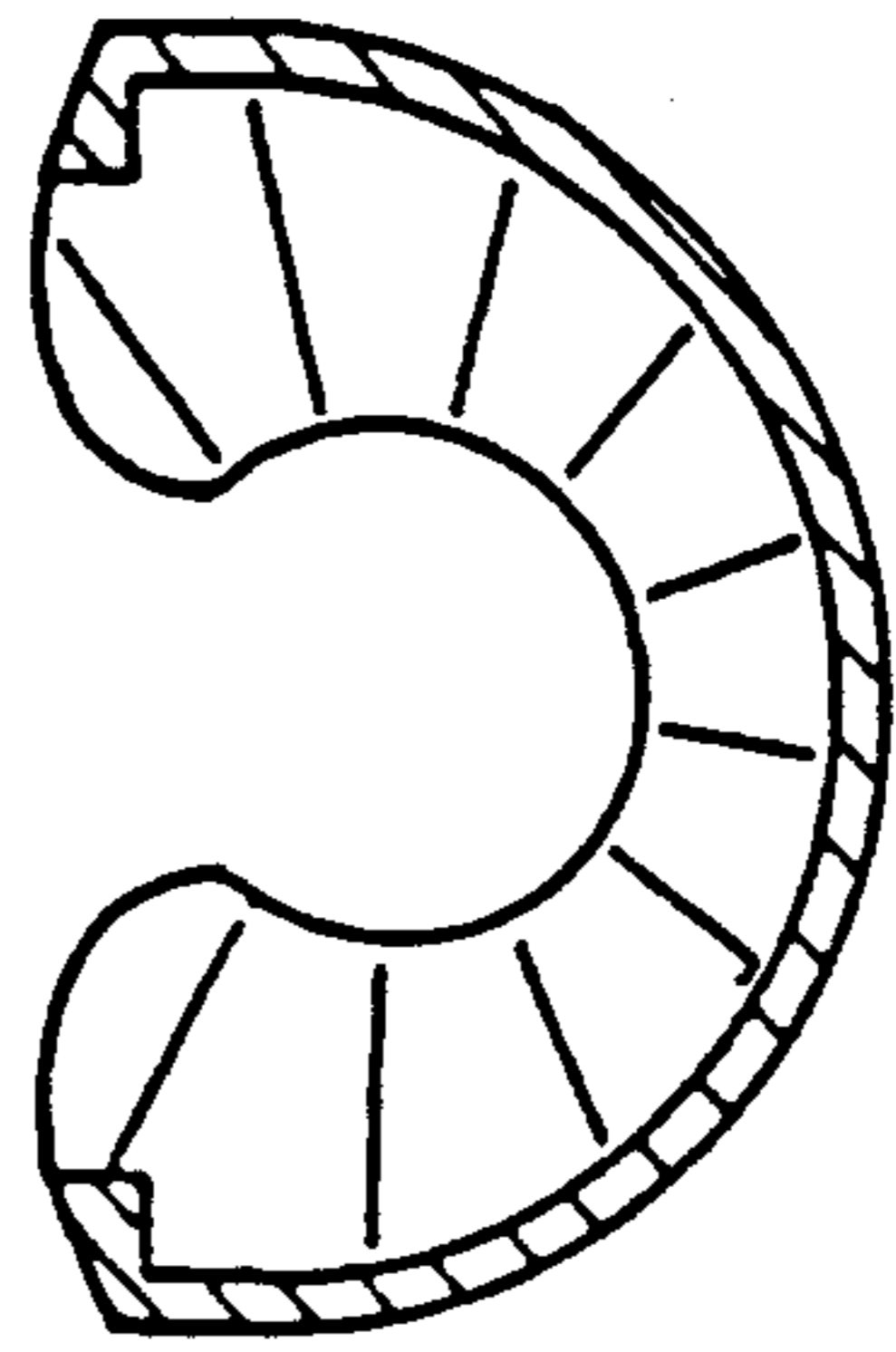


FIG. 7

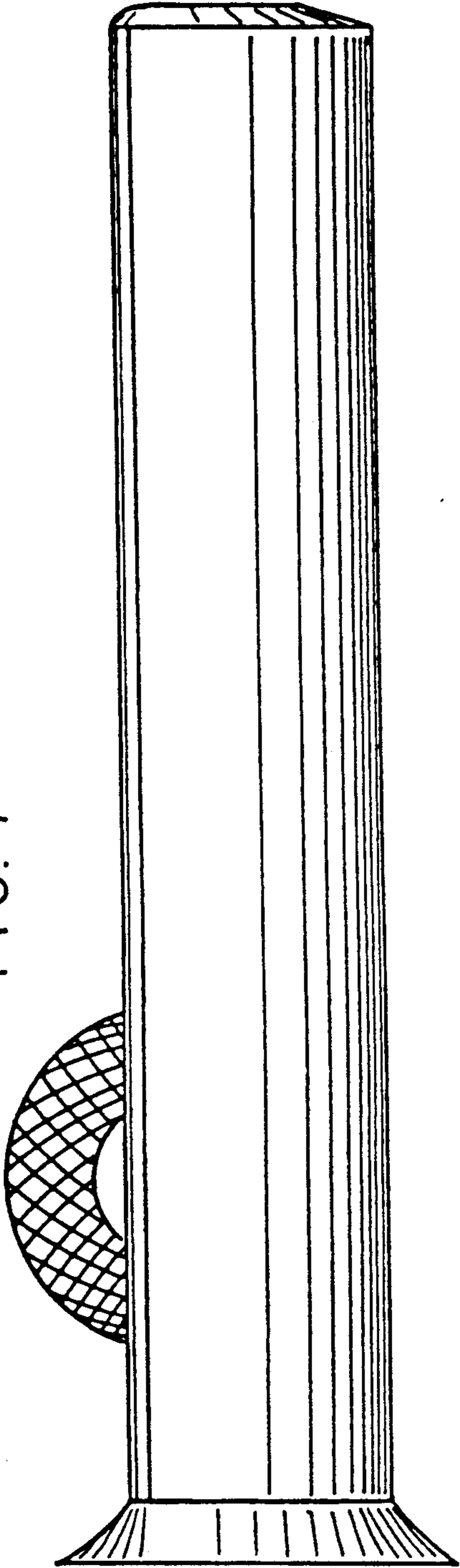


FIG. 8

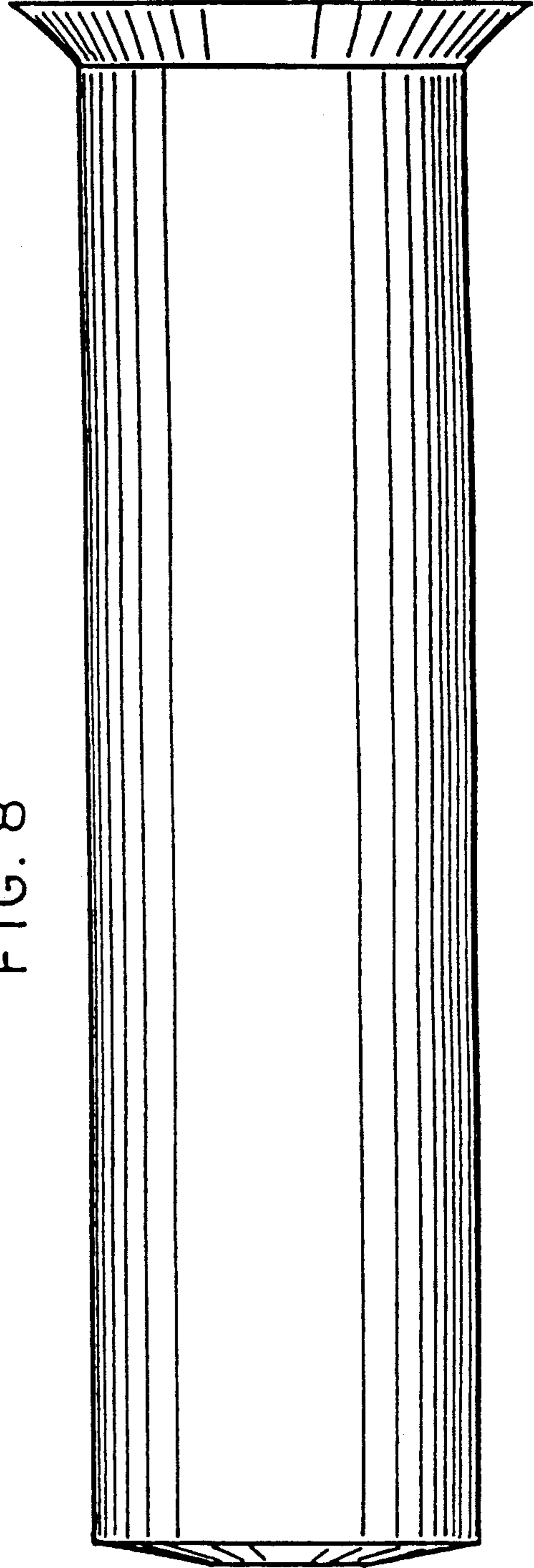


FIG. 9

