



US00D343537S

United States Patent [19]

[11] Patent Number: **Des. 343,537**

Harde

[45] Date of Patent: **** Jan. 25, 1994**

[54] **ARMREST UNIT FOR MOUNTING ON AUTO SEATS**

4,040,665 8/1977 Wallace et al. 297/417

[76] Inventor: **Arne Harde, Vilebovagen 2 B, S-217 63, Malmo, Sweden**

Primary Examiner—Alan P. Douglas
Assistant Examiner—Monica A. Hannon
Attorney, Agent, or Firm—Ladas & Parry

[**] Term: **14 Years**

[57] **CLAIM**

[21] Appl. No.: **641,080**

The ornamental design for an armrest unit for mounting on auto seats, as shown and described.

[22] Filed: **Jan. 14, 1991**

DESCRIPTION

[30] **Foreign Application Priority Data**

Mar. 9, 1990 [SE] Sweden 900547

[52] U.S. Cl. **D6/501**

[58] Field of Search D6/501; 297/250, 417

FIG. 1 is a rear perspective view of an armrest unit for mounting on auto seats showing my new design; FIG. 2 is a front perspective view thereof; FIG. 3 is a top plan view thereof; FIG. 4 is a front elevational view thereof; FIG. 5 is a rear elevational view thereof; FIG. 6 is a right side elevational view thereof, the left side elevational view being a mirror image thereof; and, FIG. 7 is a bottom plan view thereof.

[56] **References Cited**

U.S. PATENT DOCUMENTS

3,116,093 12/1963 Bosack 297/417
3,154,344 10/1964 Stableford 297/417 X
3,993,350 11/1976 McFarlane 297/417

The phantom lines appearing in FIG. 1 of the drawings are for purposes of illustration only.

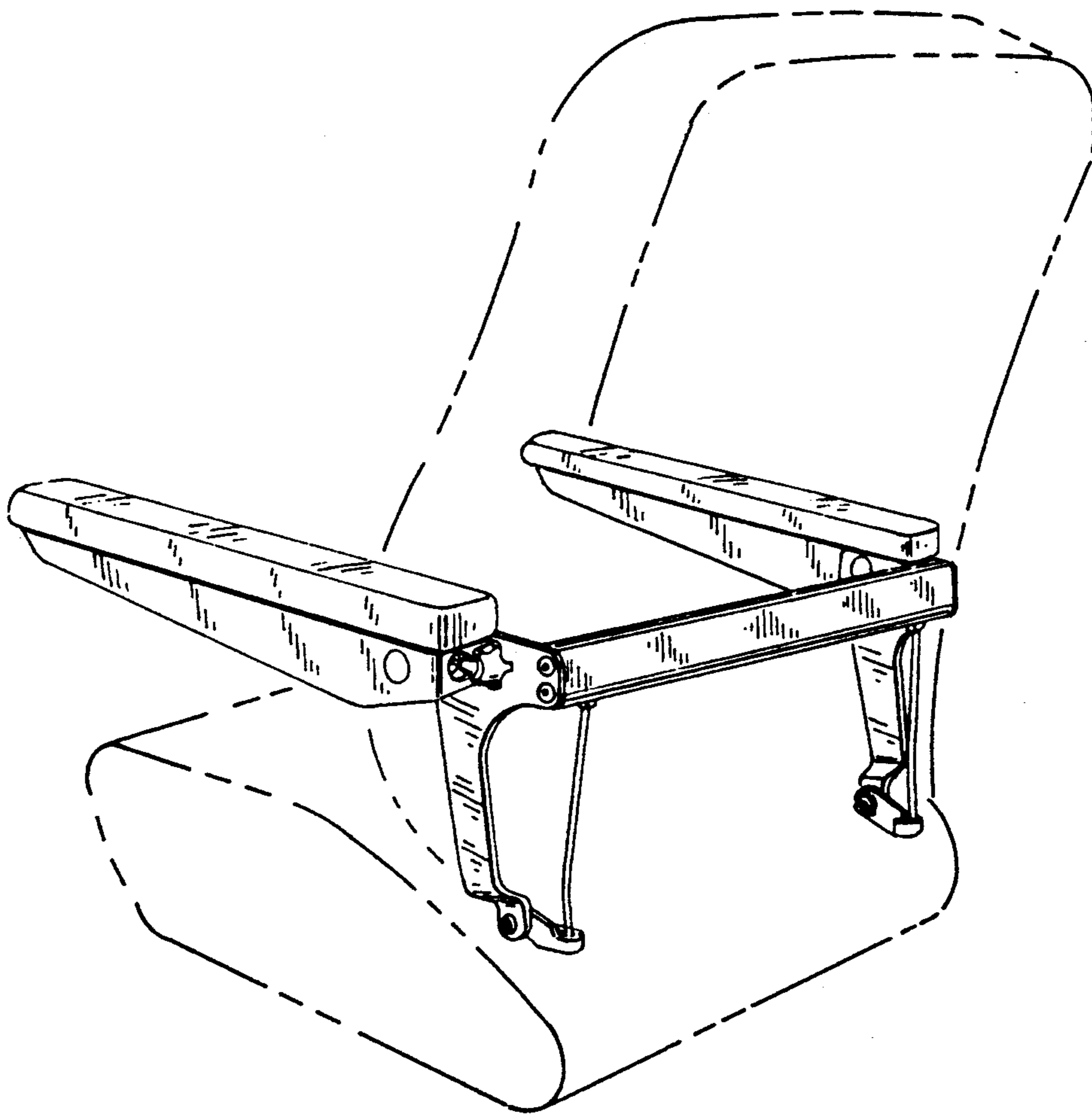


Fig. 1

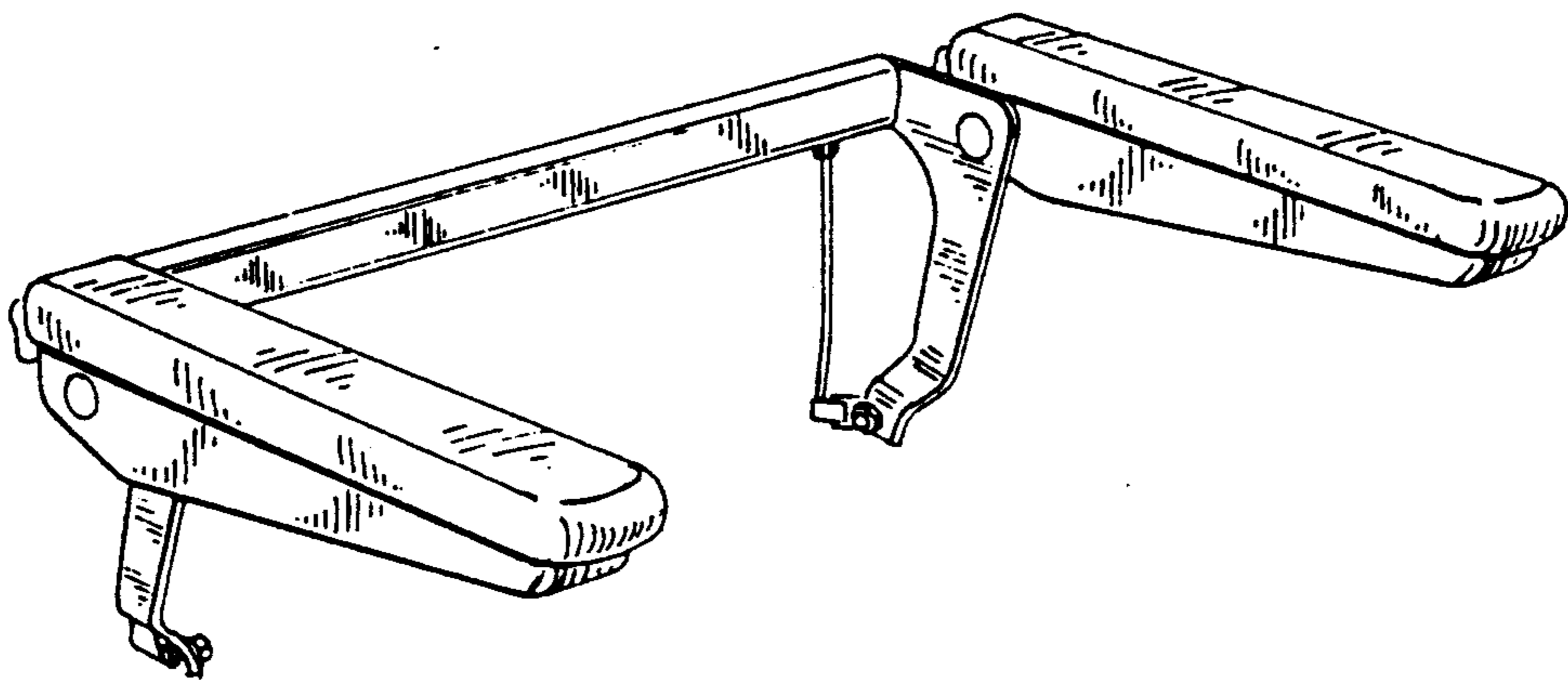
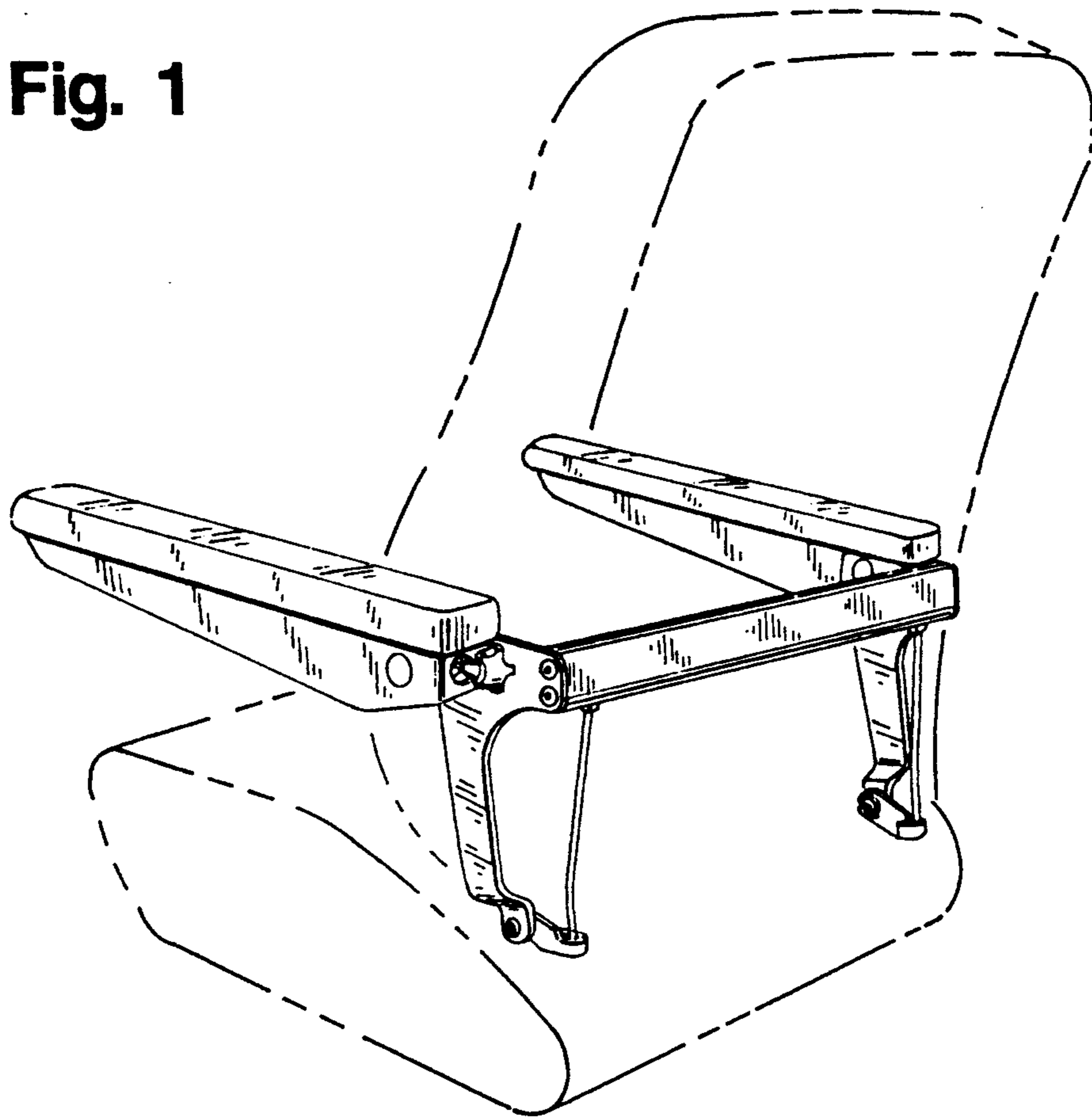


Fig. 2

Fig. 3

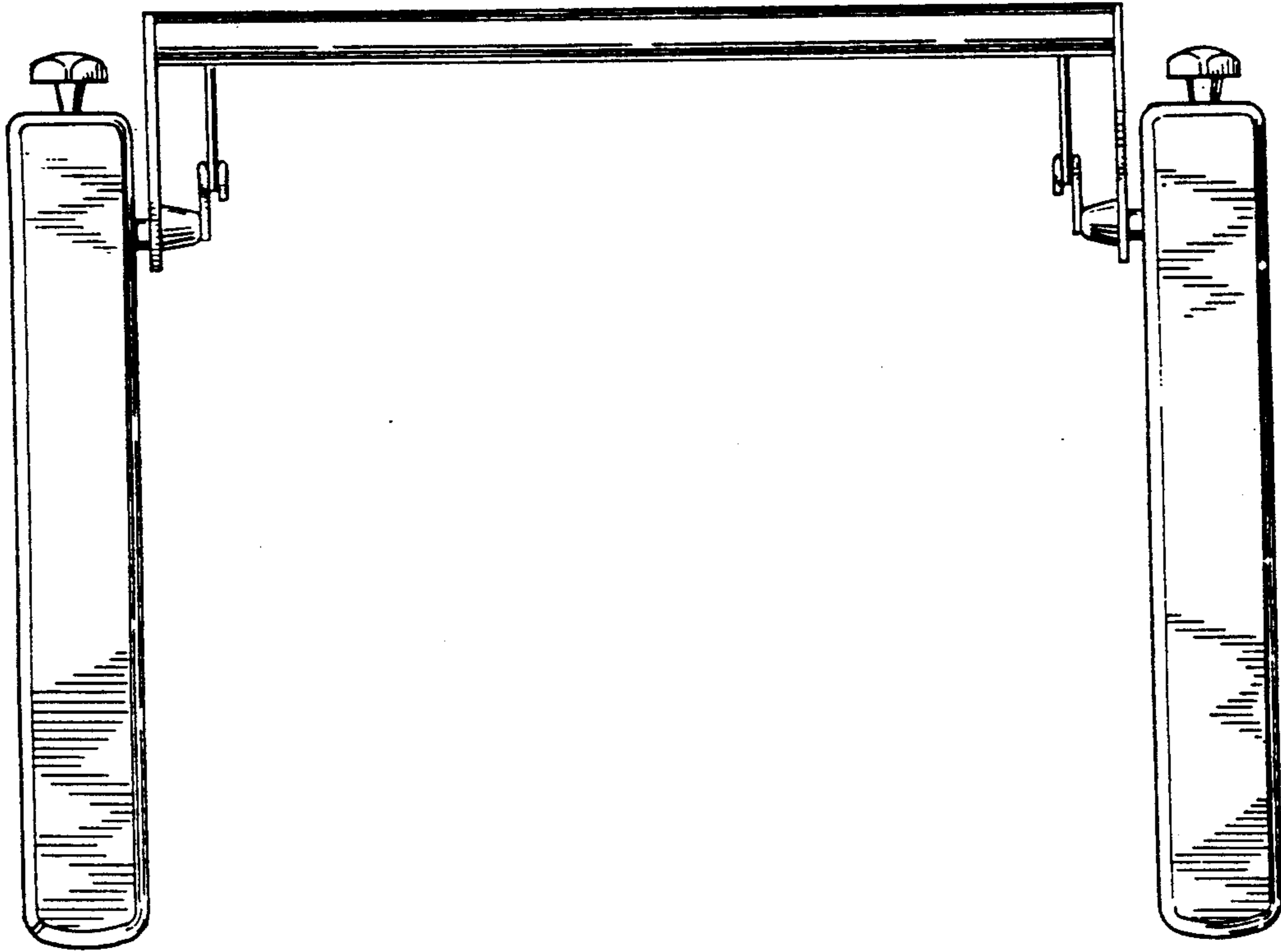


Fig. 4

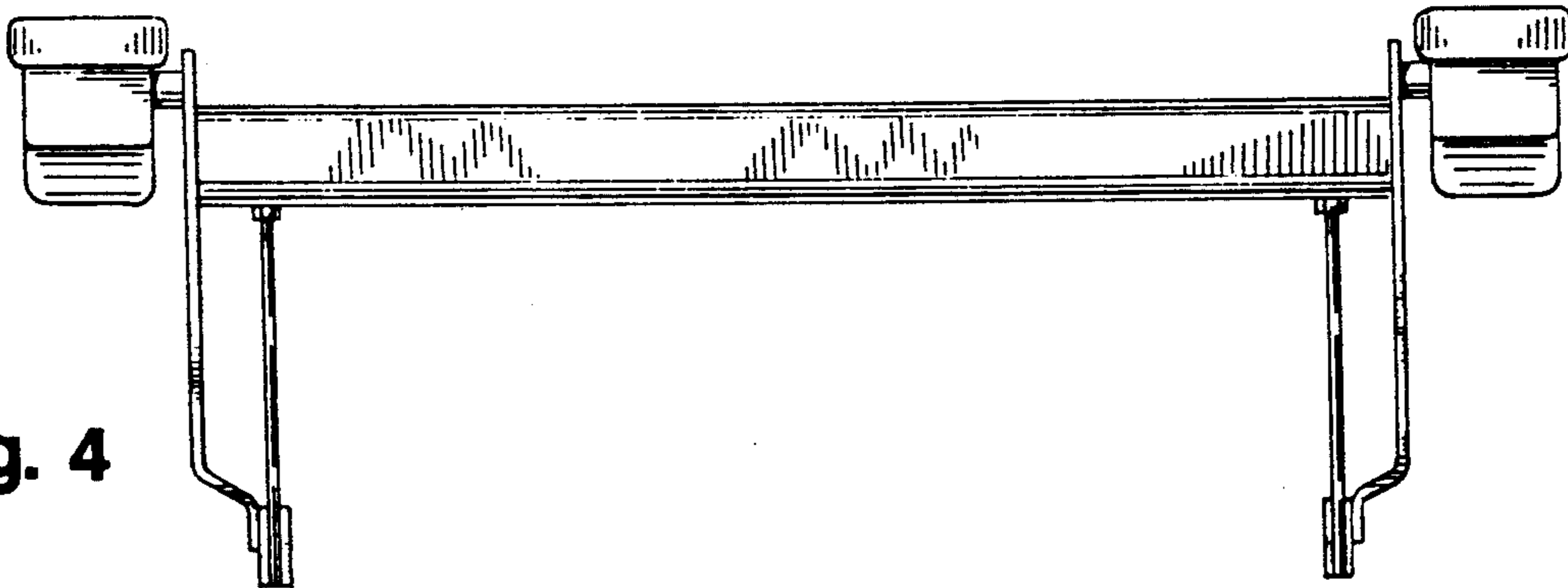


Fig. 5

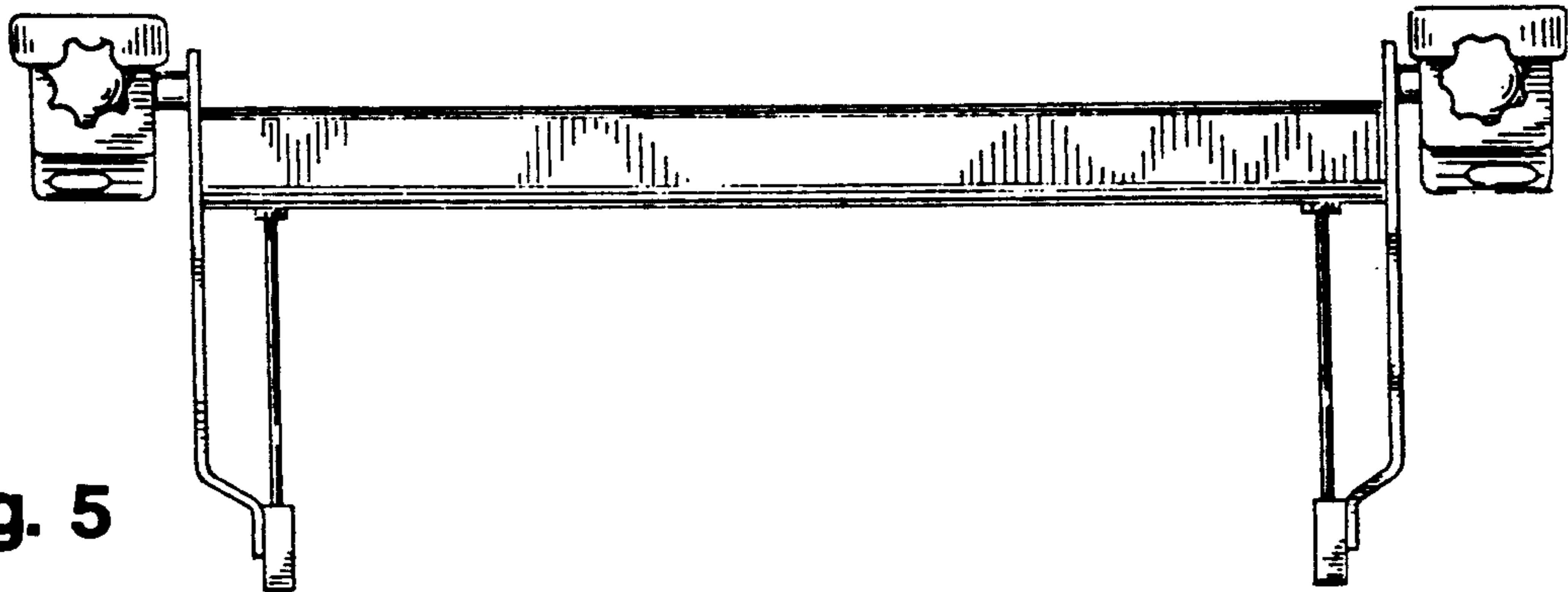


Fig. 6

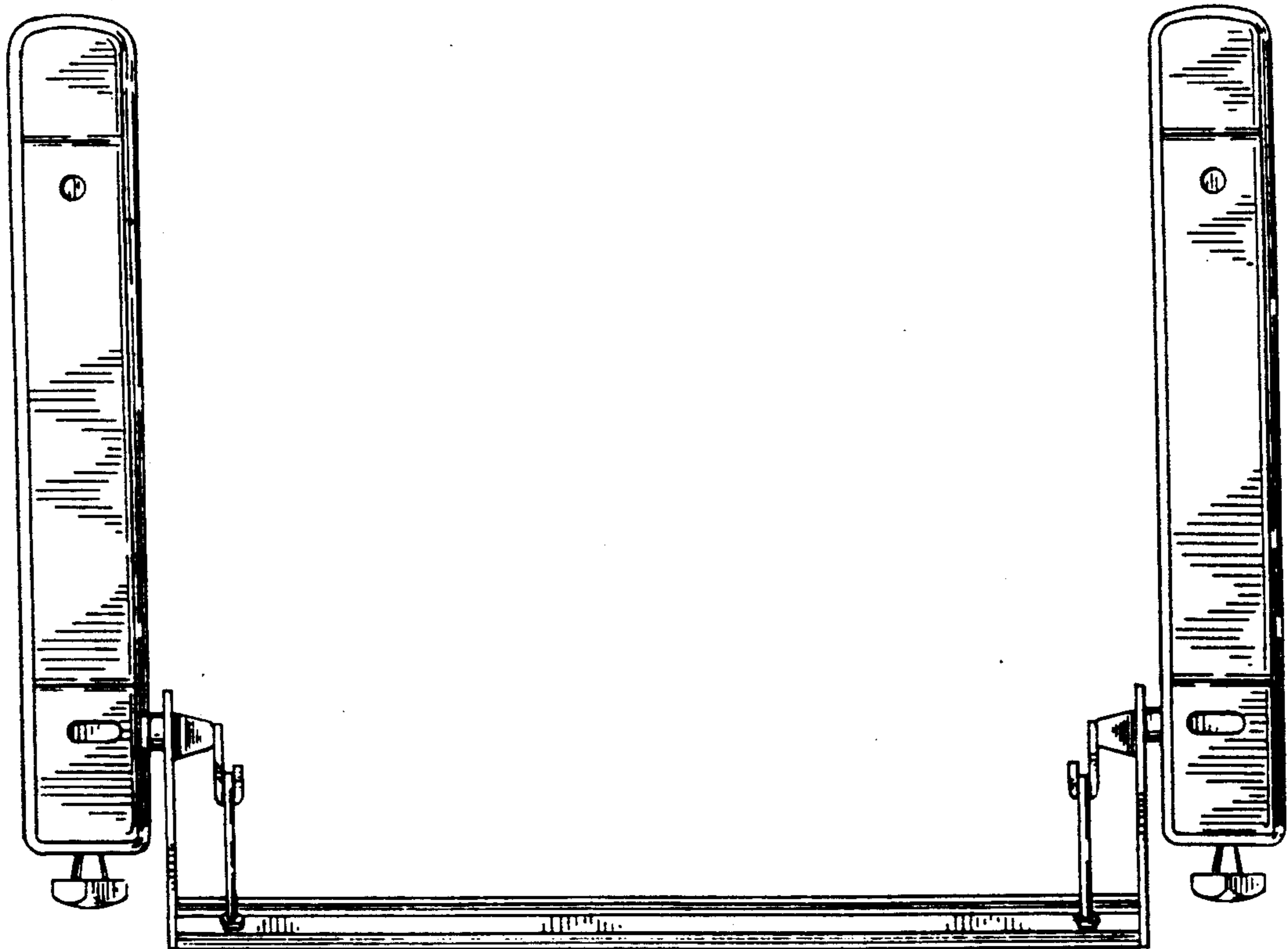
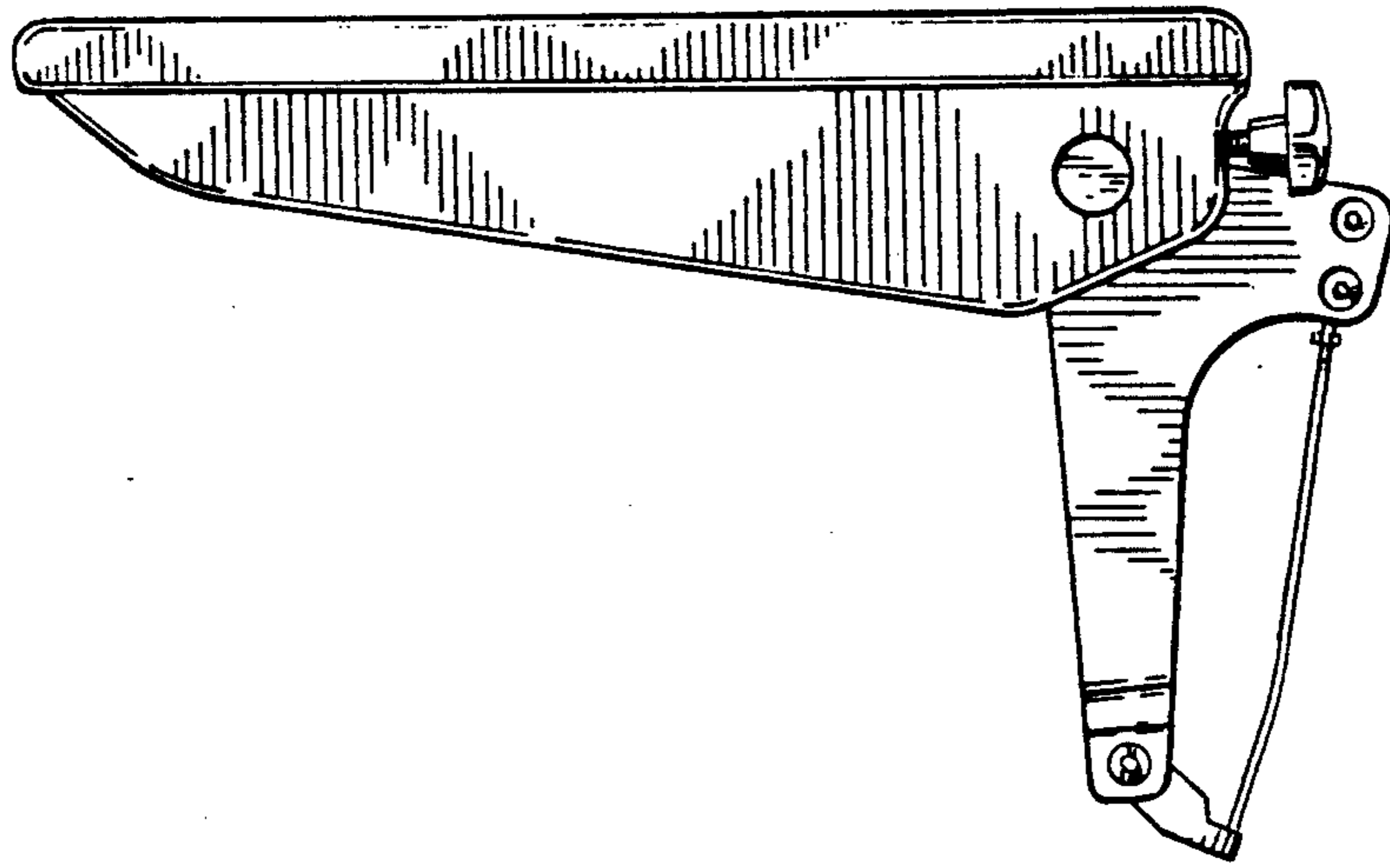


Fig. 7