



US00D343530S

United States Patent [19]

[11] Patent Number: **Des. 343,530**

Sawtelle

[45] Date of Patent: **** Jan. 25, 1994**

[54] **BENCH**

[76] Inventor: **Fred G. Sawtelle**, P.O. Box 21122,
Houston, Tex. 77026

[**] Term: **14 Years**

[21] Appl. No.: **825,727**

[22] Filed: **Jan. 27, 1992**

[52] U.S. Cl. **D6/380; D6/381**

[58] Field of Search **D6/334, 349, 360, 370,
D6/371, 373, 376, 380, 381, 500, 501, 502, 548;
297/232, 445, 446, 452**

[56] **References Cited**

U.S. PATENT DOCUMENTS

D. 101,568	10/1936	Vavrik	D6/502
D. 276,388	11/1984	Miller et al.	D6/548
D. 285,151	8/1986	Molinari	D6/381
D. 321,797	11/1991	Paris	D6/381
D. 322,896	1/1992	Sawtelle	D6/360
861,454	7/1907	Garrison	297/446

OTHER PUBLICATIONS

How to Make PVC Pipe Furniture by Ed & Stevie Baldwin, ©1985, p. 71.

Fixtures Contract Furn. Cat., pp. 35-38, Flip Seat.

Primary Examiner—Alan P. Douglas

Assistant Examiner—Gary D. Watson

Attorney, Agent, or Firm—Harrison & Egbert

[57] **CLAIM**

The ornamental design for a bench, as shown and described.

DESCRIPTION

FIG. 1 is a perspective view of the bench of the present invention;

FIG. 2 is a side view of the bench of the present invention;

FIG. 3 is a front view of the bench of the present invention; and,

FIG. 4 is a top view of the bench of the present invention.

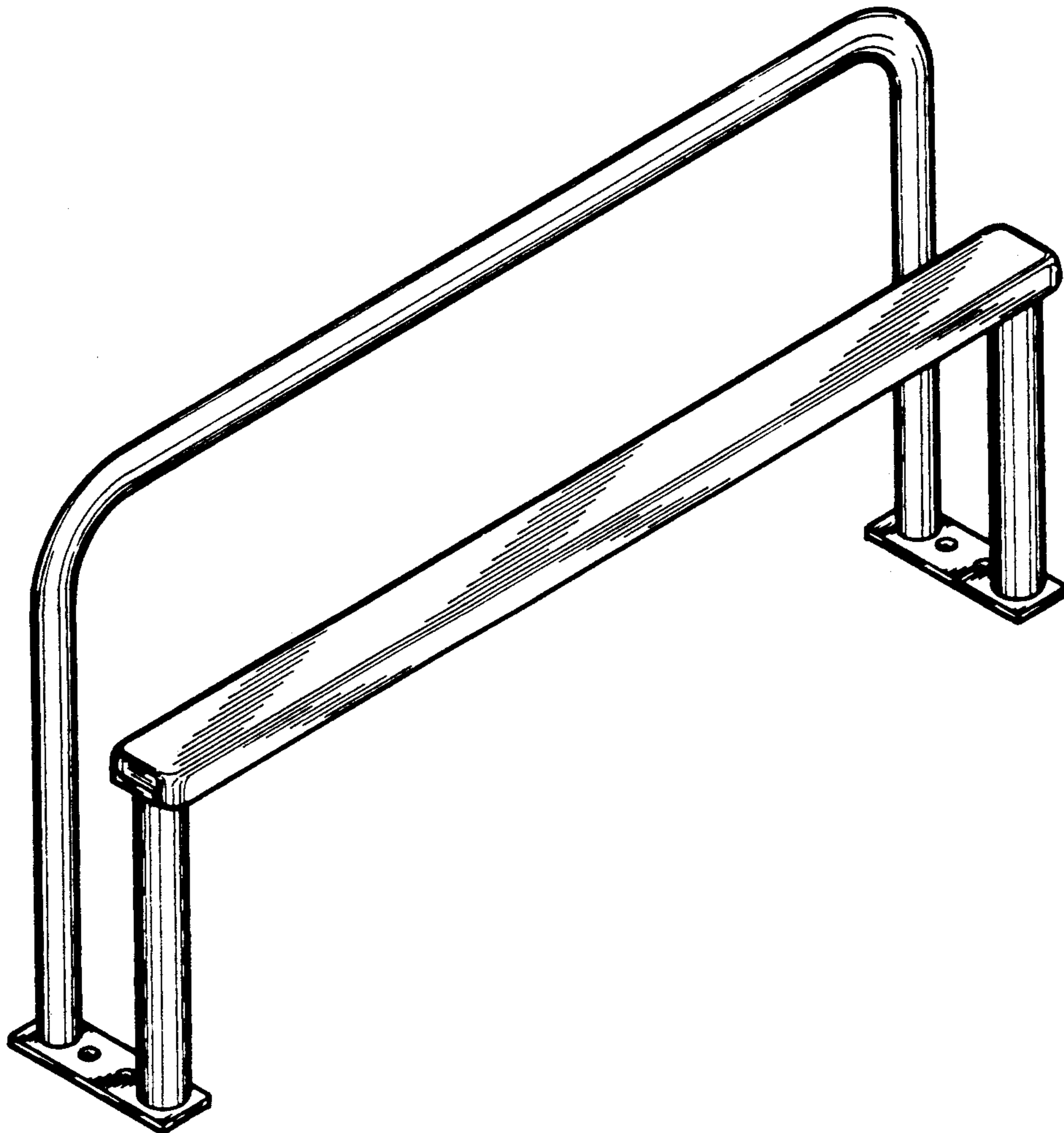


FIG. 1

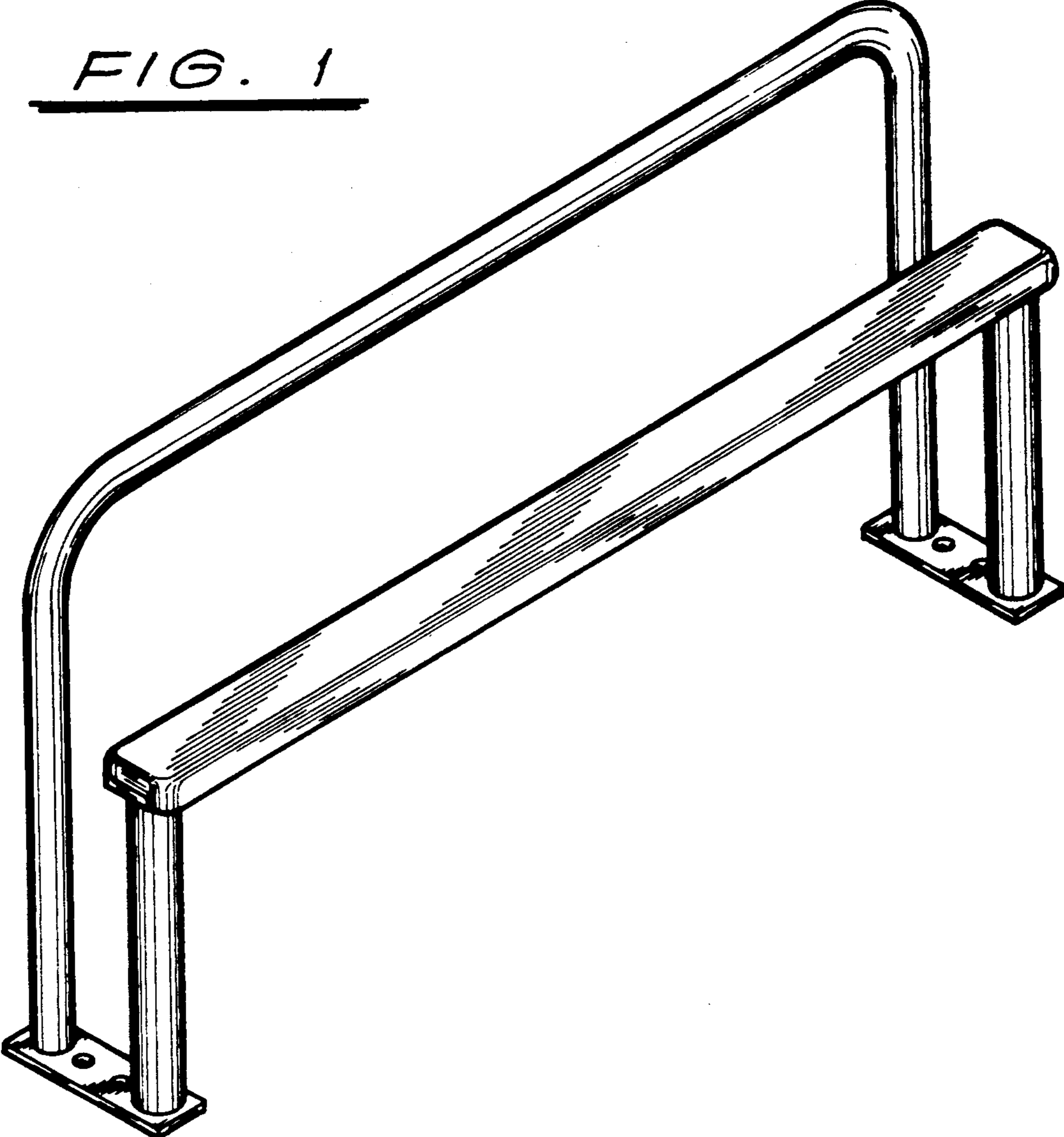


FIG. 2

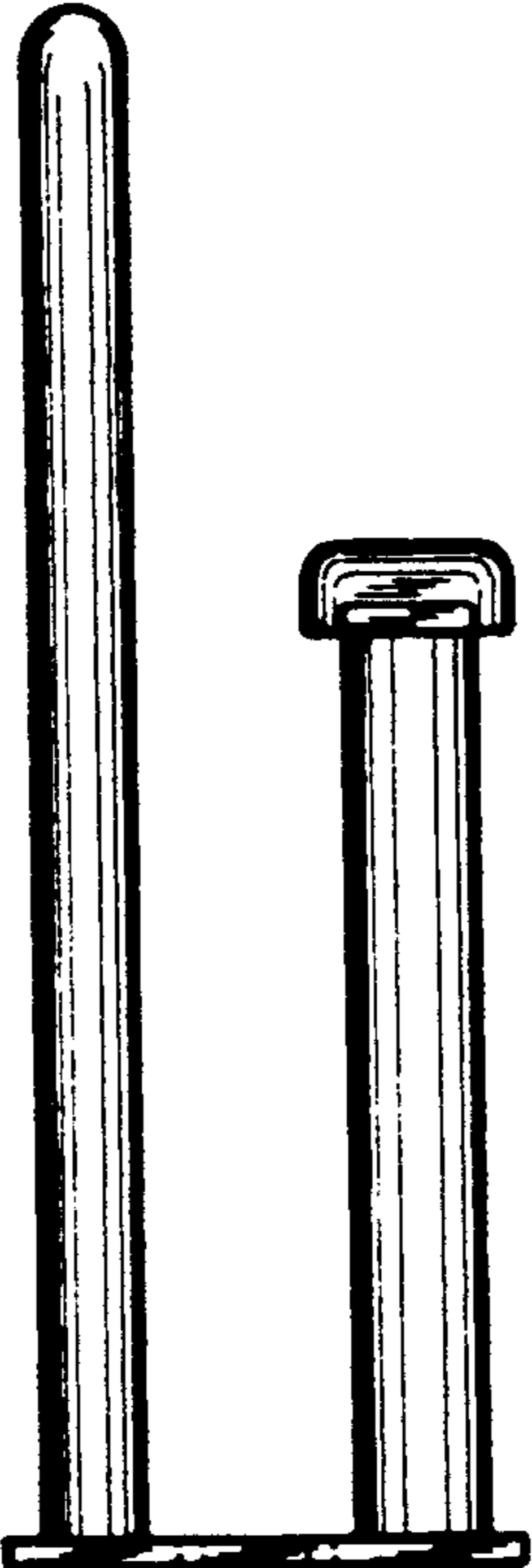


FIG. 3

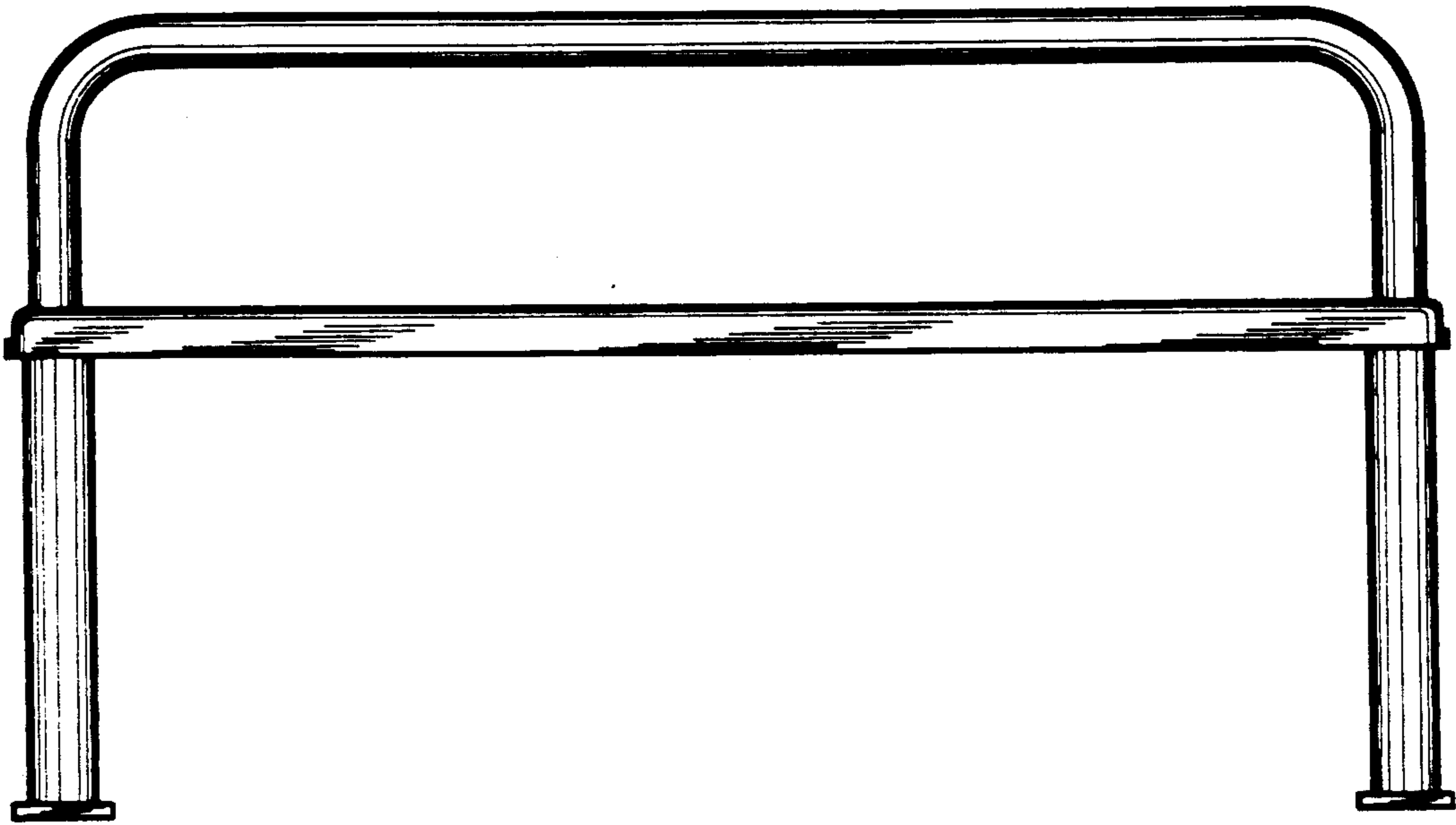


FIG. 4

