



US00D343525S

United States Patent [19]

[11] Patent Number: **Des. 343,525**

Wright

[45] Date of Patent: **** Jan. 25, 1994**

[54] **PORTABLE HUNTER'S SEAT**

[76] Inventor: **Billy J. Wright, Rte. 1, Box 395A, Hope Hull, Ala. 36043**

[**] Term: **14 Years**

[21] Appl. No.: **905,656**

[22] Filed: **Jun. 30, 1992**

[52] U.S. Cl. **D6/368; D6/335**

[58] Field of Search **D6/334, 335, 367, 368, D6/374, 375, 500, 501, 502; 5/417, 419, 420, 652, 653, 656; 297/129, 377**

2,816,599	12/1957	Adams	D6/502 X
3,808,616	5/1974	White	297/377 X
4,736,825	4/1988	Belfi	5/417 X
4,869,553	9/1989	Powell	D6/368 X
4,926,512	5/1990	Coyle	D6/368 X

Primary Examiner—Nelson C. Holtje
Assistant Examiner—Gary D. Watson
Attorney, Agent, or Firm—Veal & Associates

[57] **CLAIM**

The ornamental design for a portable hunter's seat, as shown and described.

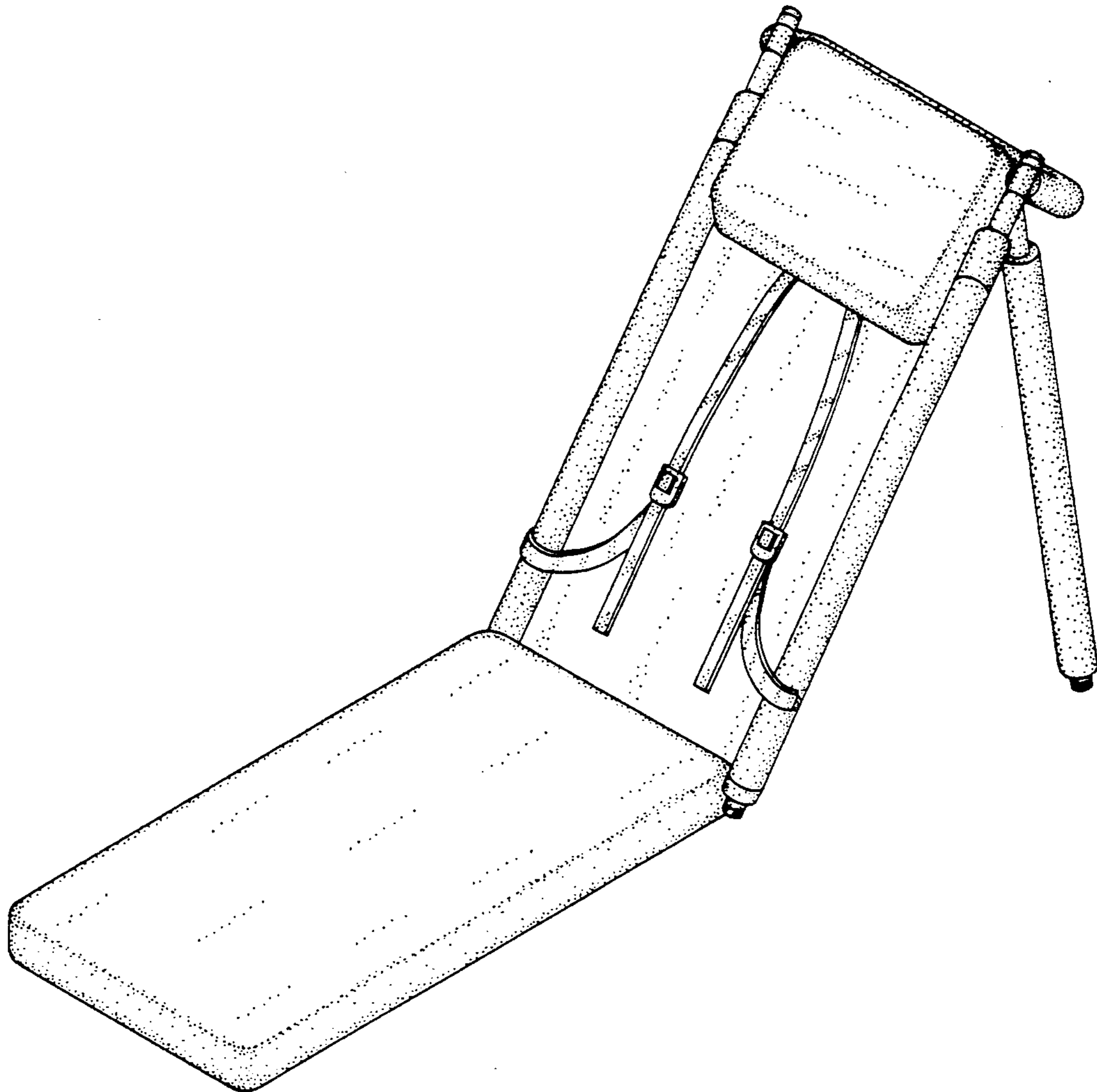
[56] **References Cited**

U.S. PATENT DOCUMENTS

D. 101,976	11/1936	Smith	D6/375
D. 280,054	8/1985	Pedersen	D6/375
D. 299,988	2/1989	Parabita	D6/368
405,038	6/1889	Koechling	297/377
486,275	11/1892	Butler	297/377
1,842,424	1/1932	Ponten et al.	D6/368 X
2,570,571	10/1951	Leeman	D6/335 X

DESCRIPTION

FIG. 1 is a perspective view of a portable hunter's seat showing my new design;
FIG. 2 is a front elevational view thereof;
FIG. 3 is a rear elevational view thereof;
FIG. 4 is a side elevational view thereof, the side not shown being a mirror image of the side shown;
FIG. 5 is a top plan view thereof; and,
FIG. 6 is a bottom view thereof.



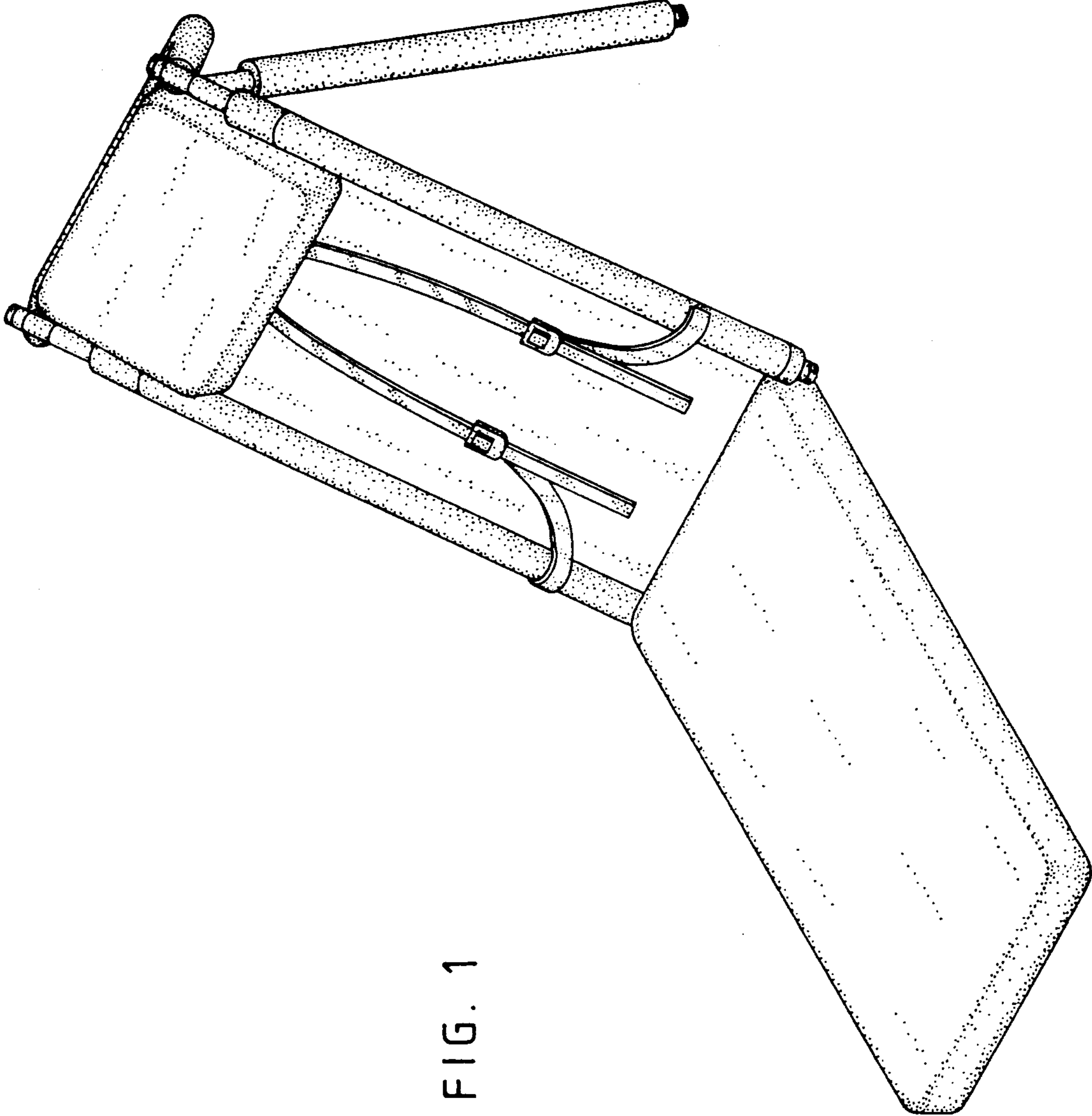


FIG. 1

FIG. 2

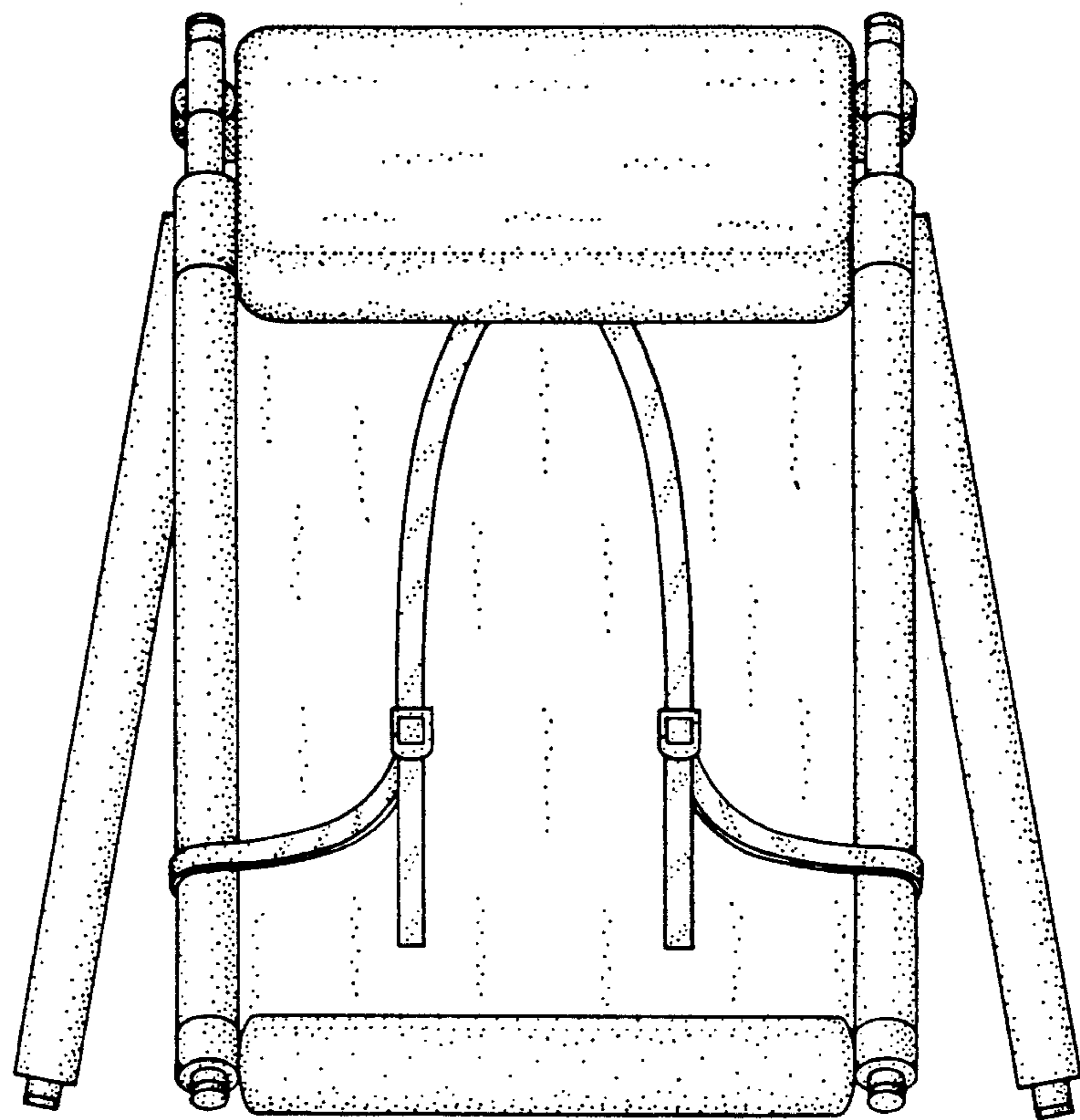
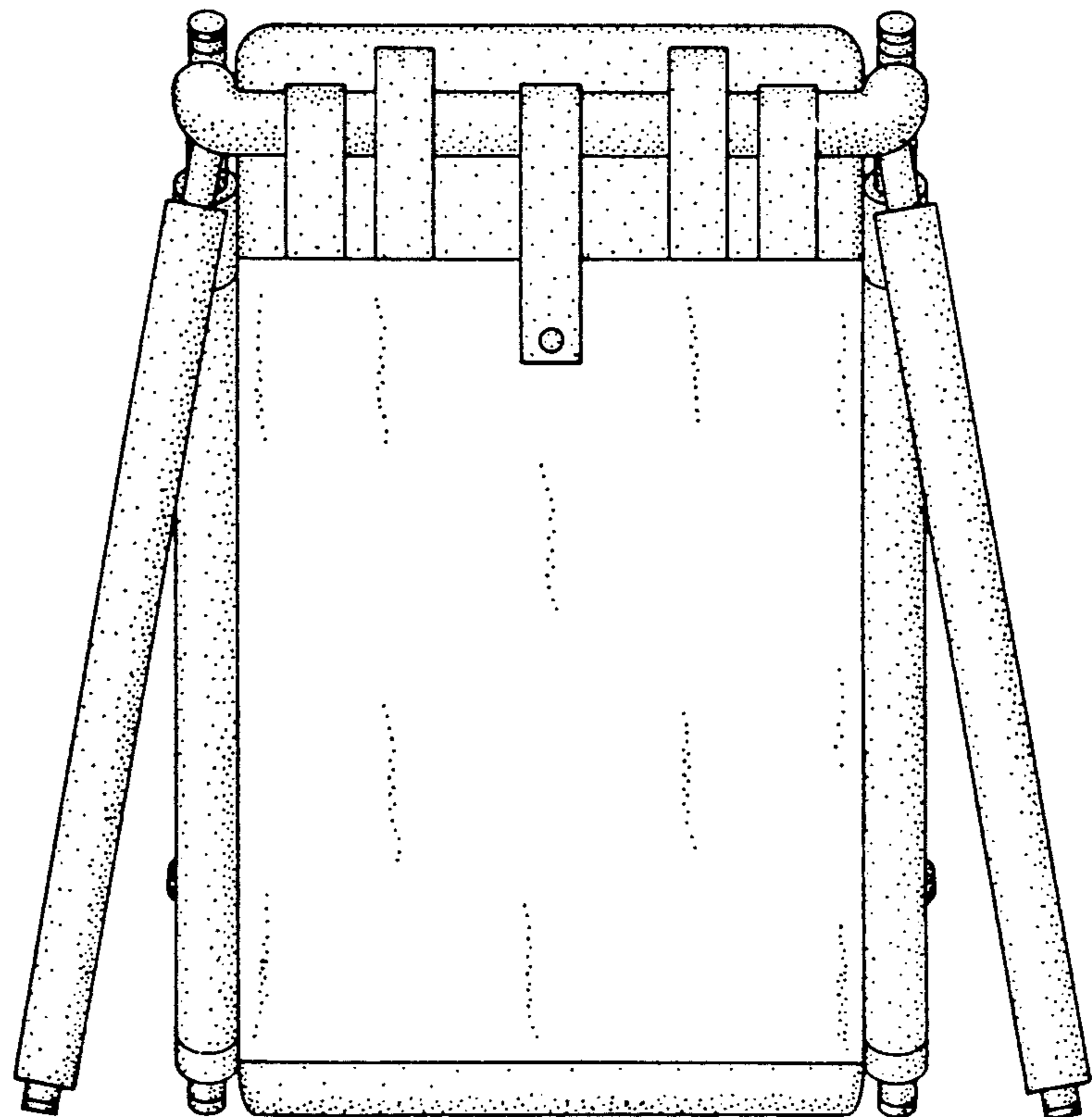


FIG. 3



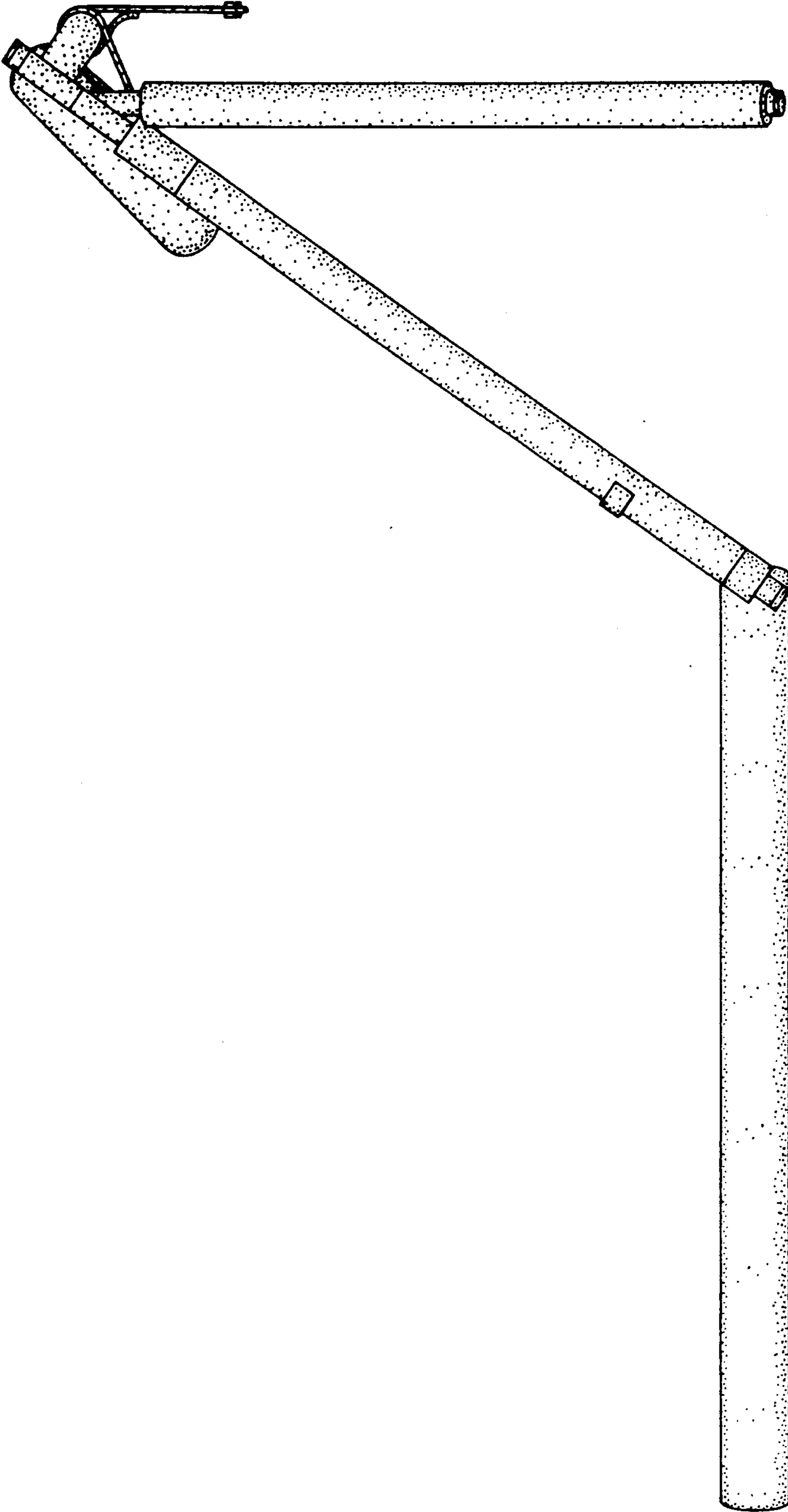


FIG. 4

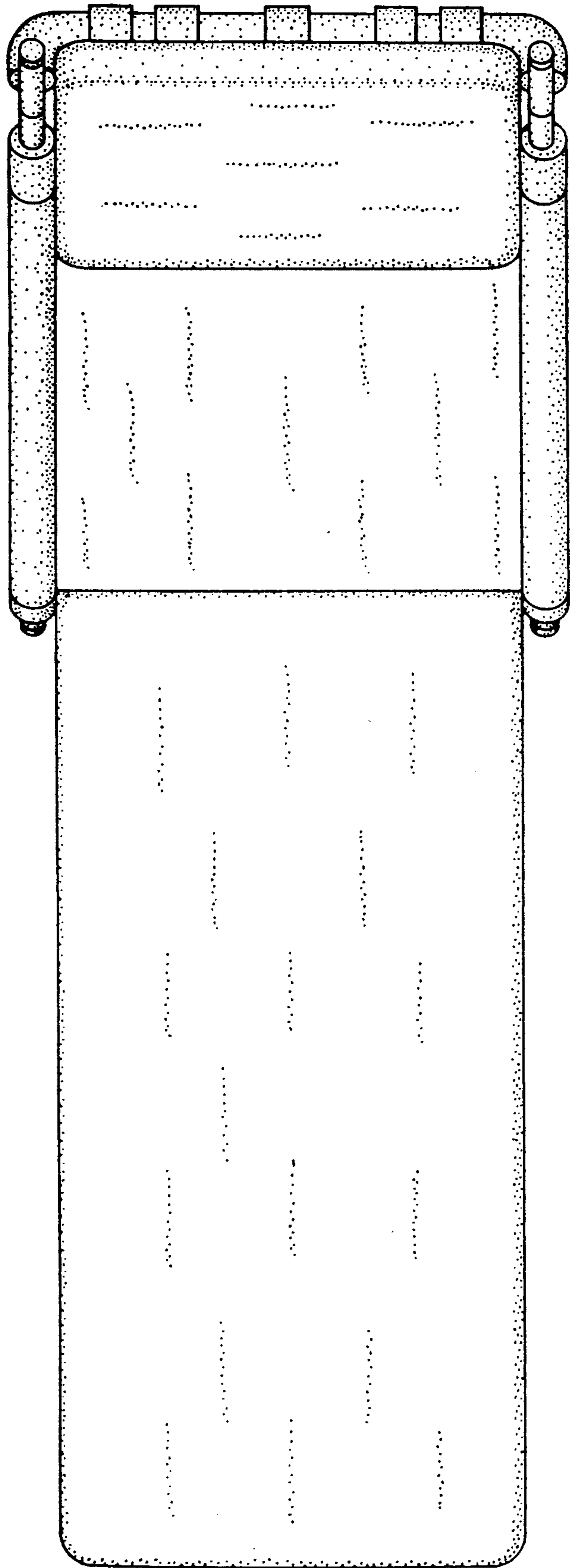


FIG. 5

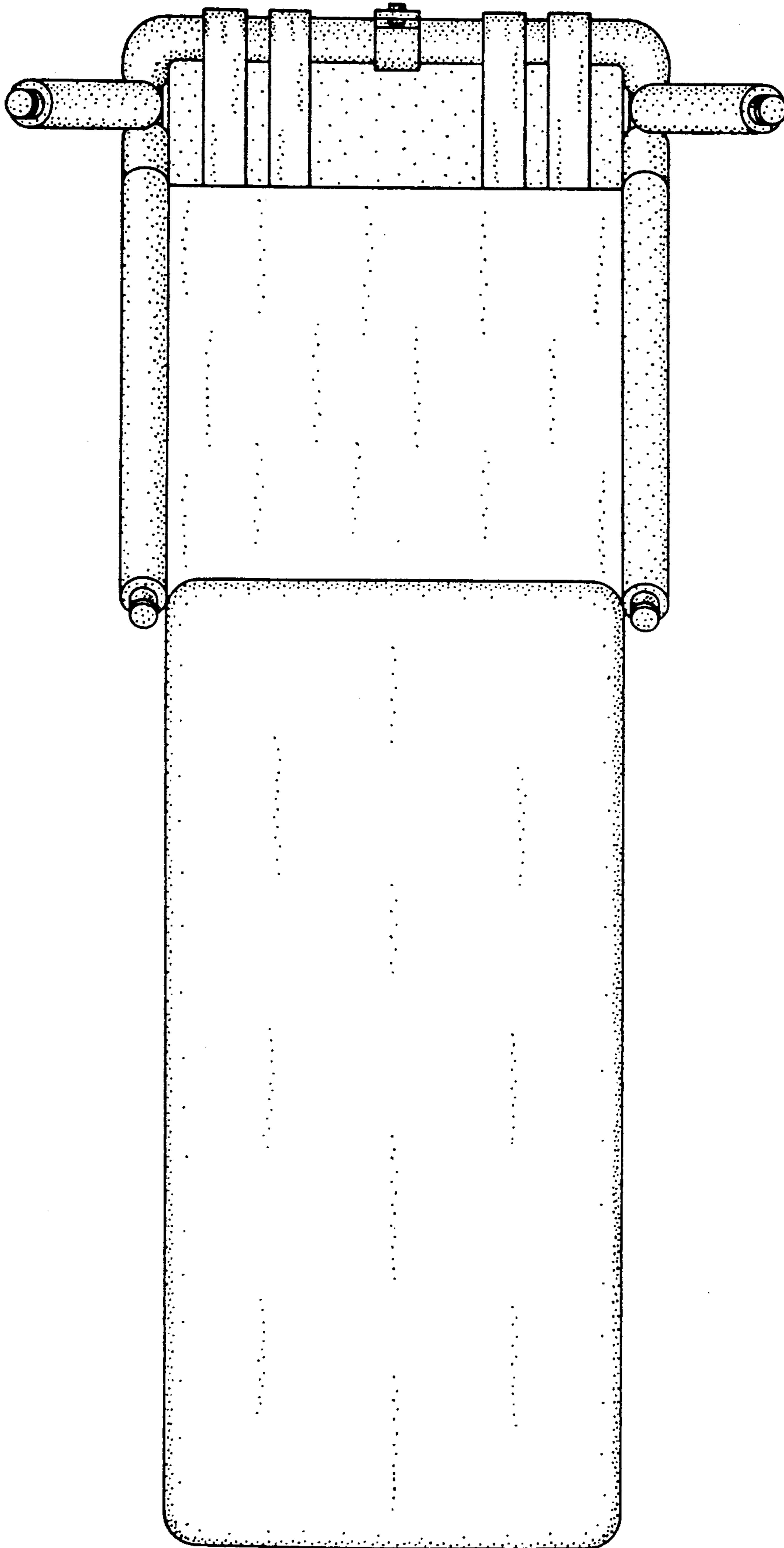


FIG. 6