



US00D343514S

United States Patent [19]

[11] Patent Number: **Des. 343,514**

Underwood, Jr.

[45] Date of Patent: **** Jan. 25, 1994**

[54] **SUNVISOR SLIP COVER HOLDER FOR BUSINESS CARDS**

4,650,103 3/1987 Mitchell 224/275
4,844,311 7/1989 Kalen 224/312

[76] Inventor: **Smith L. Underwood, Jr.**, 3614 Wesley Chapel Stouts Rd., Monroe, N.C. 28110

Primary Examiner—Louis S. Zarfes
Attorney, Agent, or Firm—S. Michael Bender

[**] Term: **14 Years**

[57] **CLAIM**

[21] Appl. No.: **823,446**

The ornamental design for a sunvisor slip cover holder for business cards, as shown and described.

[22] Filed: **Jan. 21, 1992**

DESCRIPTION

[52] U.S. Cl. **D3/40; D3/56; D12/191**

FIG. 1 is a front elevational view of the sunvisor slip cover holder for business cards showing my new design;

[58] Field of Search **D3/40, 56; 224/275, 224/277, 312, 42.42; 150/131, 145, 147; D12/155, 191**

FIG. 2 is a rear elevational view thereof;

FIG. 3 is a left side elevational view thereof;

FIG. 4 is a right side elevational view thereof;

FIG. 5 is a top plan view thereof;

FIG. 6 is a bottom plan view thereof; and,

FIG. 7 is an isometric view showing a use thereof.

[56] **References Cited**

U.S. PATENT DOCUMENTS

D. 223,644 5/1972 Croon D3/56 X
2,707,072 4/1955 Sims D12/191 X
2,931,114 4/1960 Peterson D12/191 X

The broken line showing of a sunvisor in FIG. 7 is for illustrative purposes only and forms no part of the claimed design.

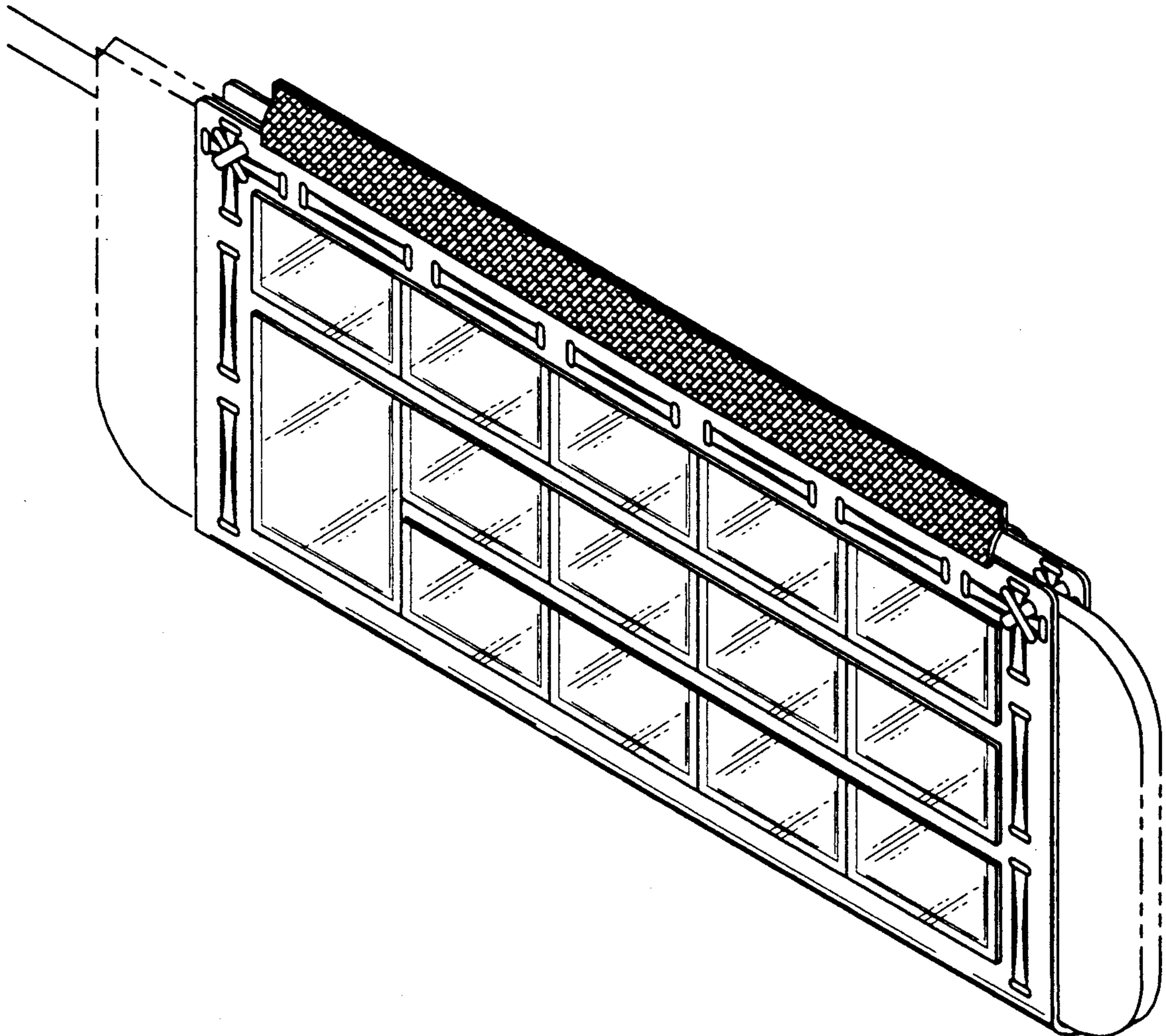


FIG. 1

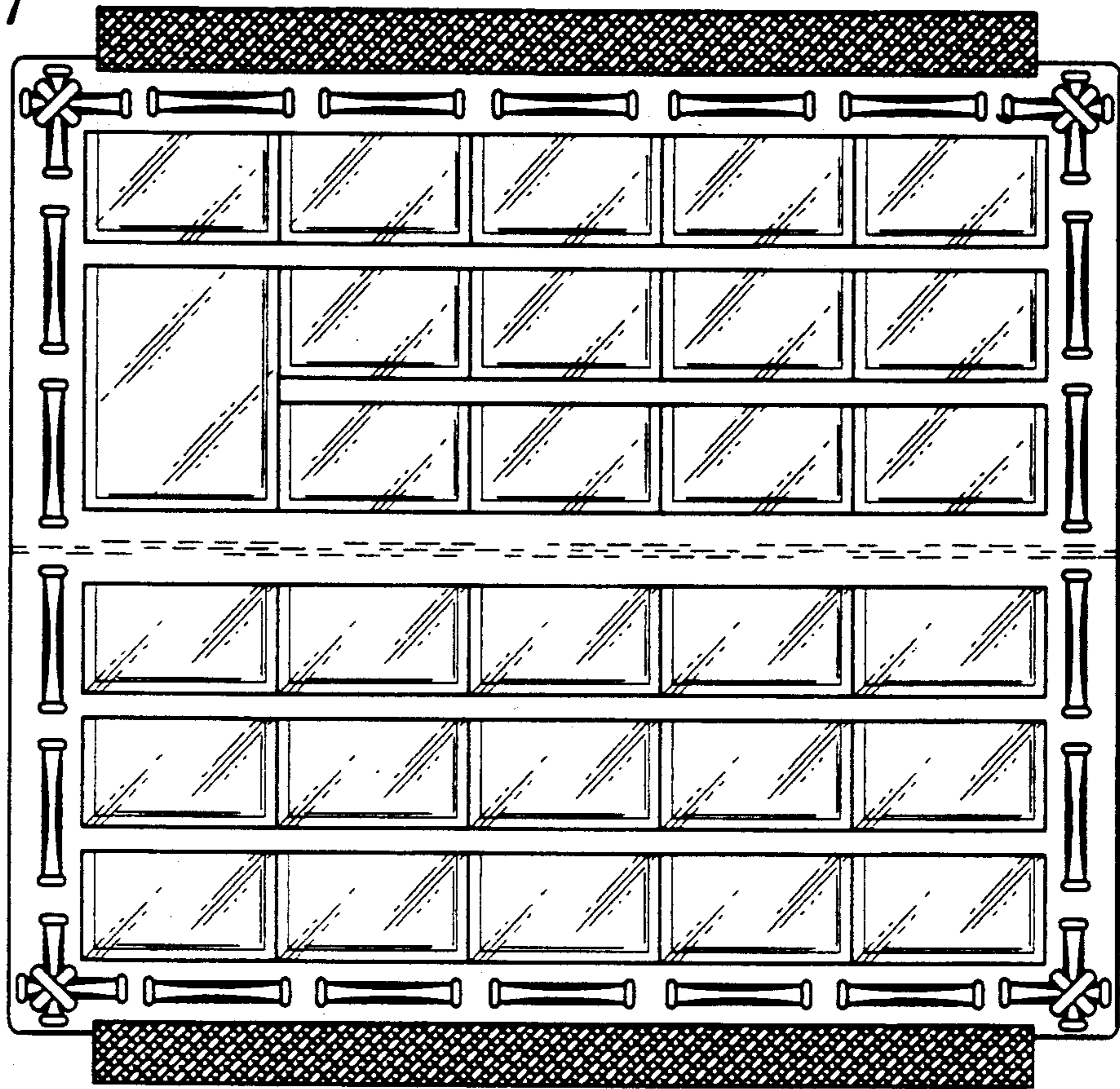


FIG. 2

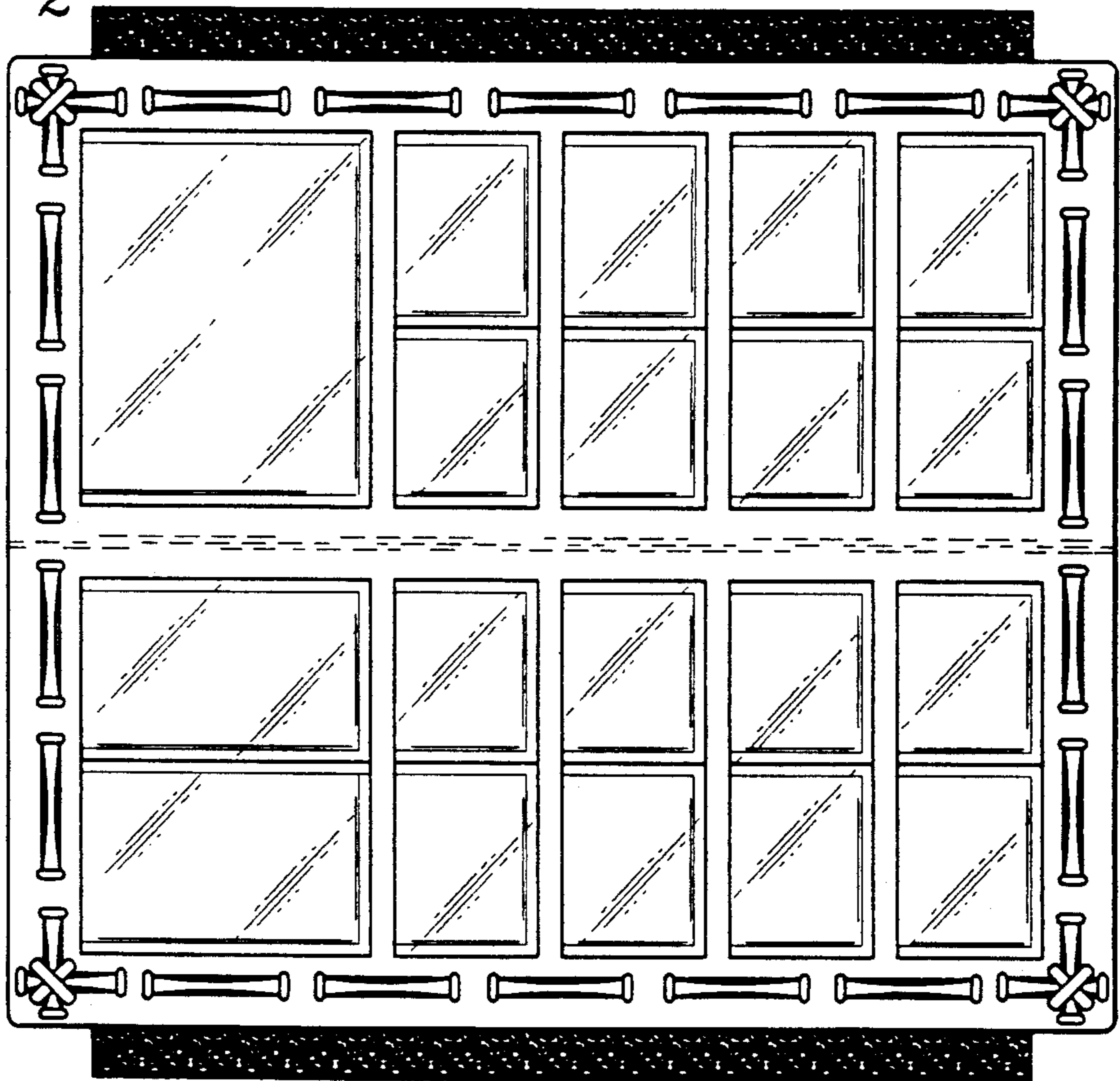


FIG. 3



FIG. 4



FIG. 5



FIG. 6



FIG. 7

