



US00D343513S

United States Patent [19]

[11] Patent Number: **Des. 343,513**

DiTizio

[45] Date of Patent: **** Jan. 25, 1994**

[54] **IN-LINE SKATE BAG**

[75] Inventor: **Emilie DiTizio, Oceanside, N.Y.**

[73] Assignee: **Canvas & Leather Bag Company, Inc., Melville, N.Y.**

[**] Term: **14 Years**

[21] Appl. No.: **844,701**

[22] Filed: **Mar. 3, 1992**

[52] U.S. Cl. **D3/36; D3/32; D3/99**

[58] Field of Search **D3/36, 32, 48, 71, 99; 206/315.1; 190/103, 903; 224/153**

[56] **References Cited**

U.S. PATENT DOCUMENTS

- D. 263,176 3/1982 Harrington D3/71
- D. 269,479 6/1983 Pelavin D3/36 X

- D. 316,177 4/1991 Strimmpfel D3/32
- 4,378,866 4/1983 Pealvin 206/315.1 X

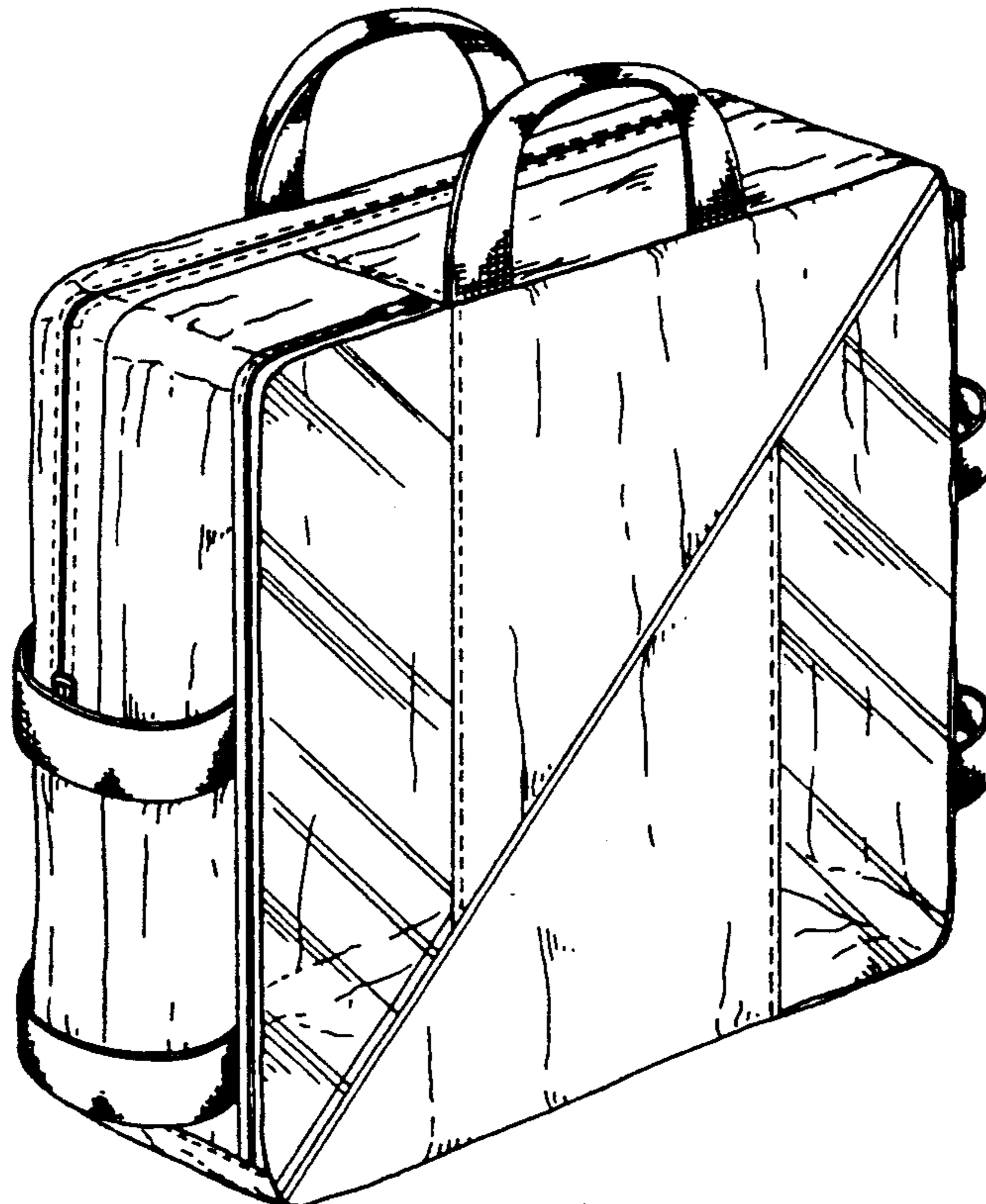
Primary Examiner—A. Hugo Word
Assistant Examiner—Doris V. Coles
Attorney, Agent, or Firm—Salter, Michaelson & Benson

[57] **CLAIM**

The ornamental design for an in-line skate bag, as shown.

DESCRIPTION

FIG. 1 is a perspective view of an in-line skate bag showing my new design;
FIG. 2 is a front elevational view thereof;
FIG. 3 is a left-side elevational view thereof;
FIG. 4 is a rear elevational view thereof;
FIG. 5 is a right-side elevational view thereof;
FIG. 6 is a top plan view thereof; and,
FIG. 7 is a bottom plan view thereof.



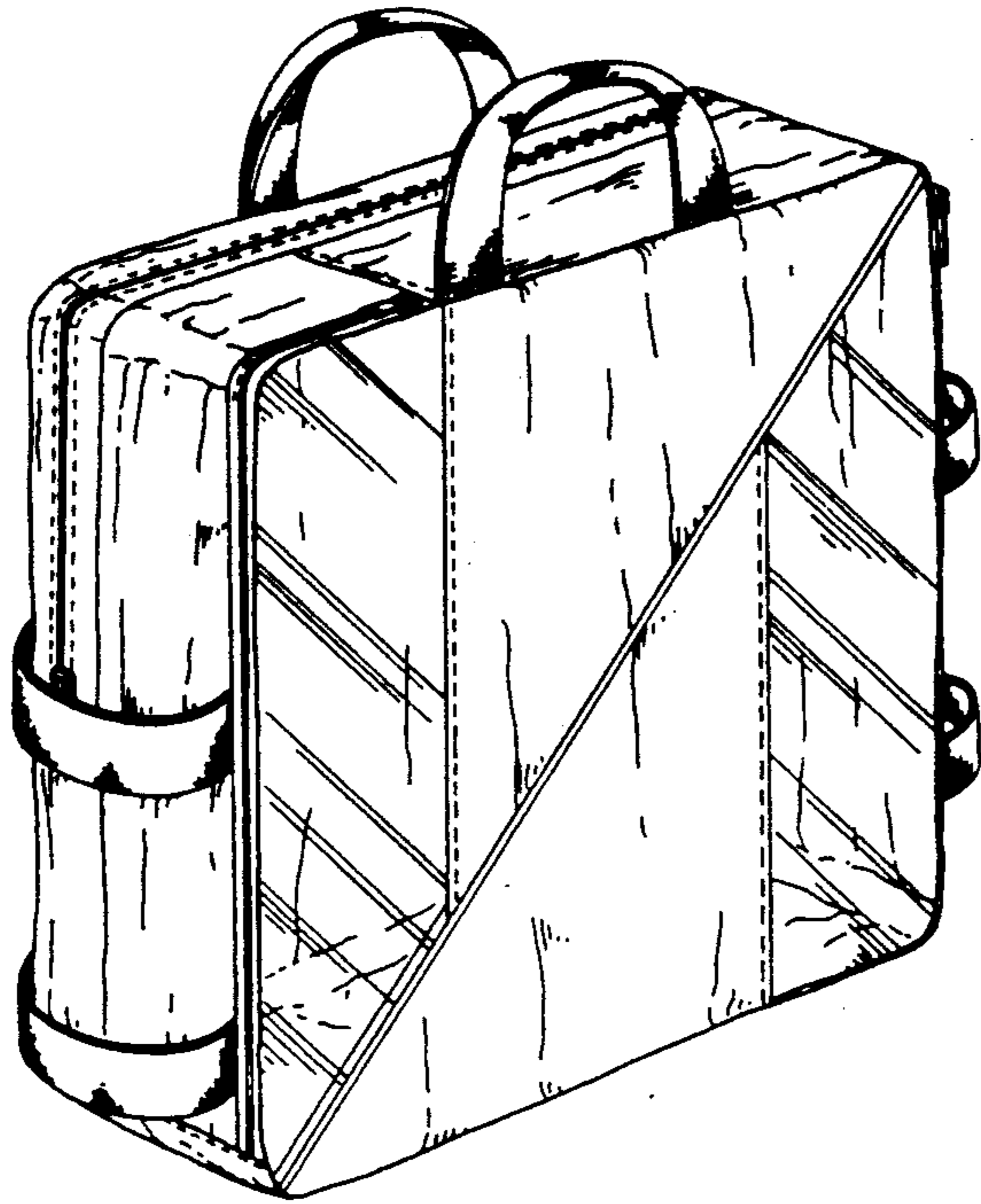


FIG. 1

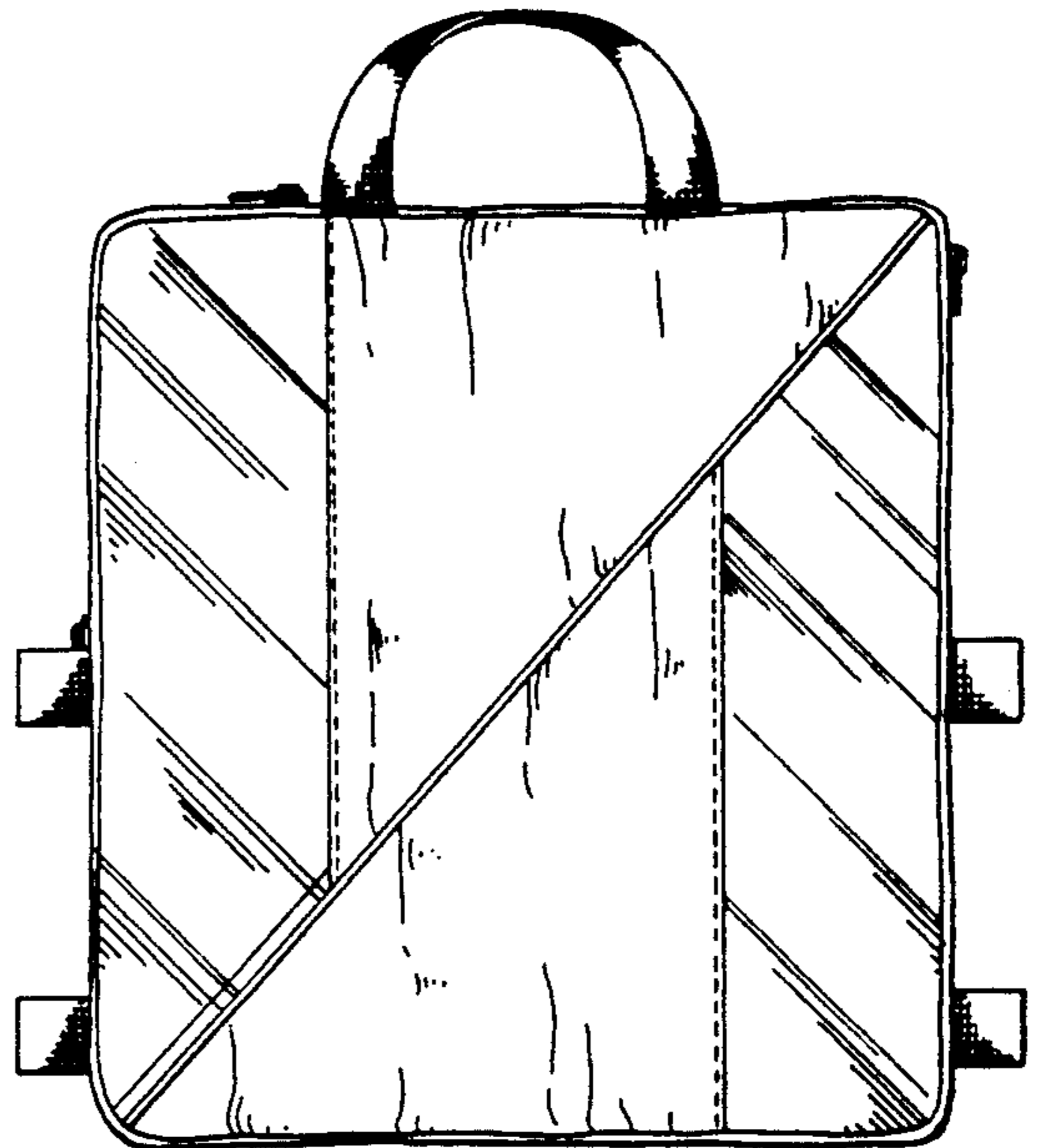


FIG. 2

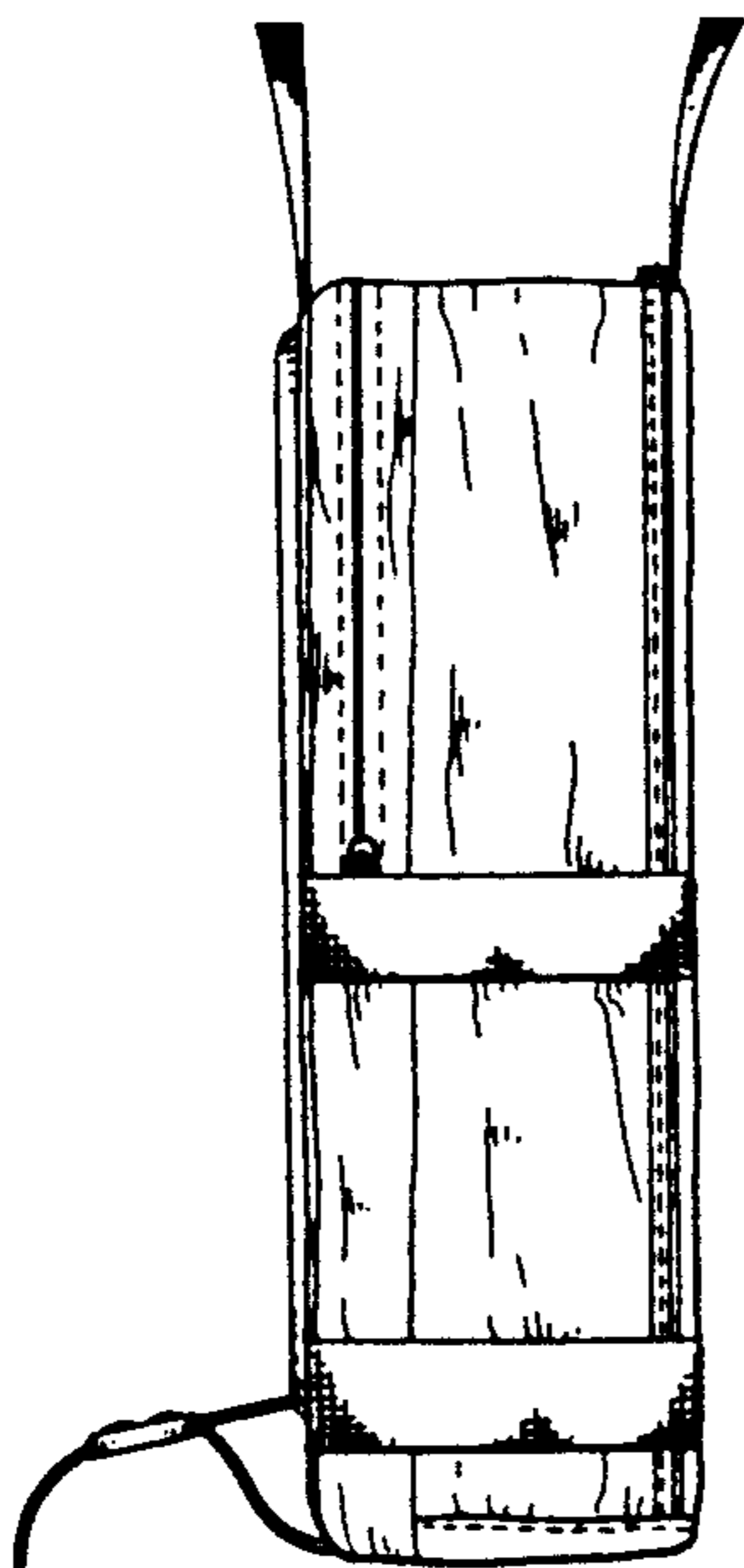


FIG. 3

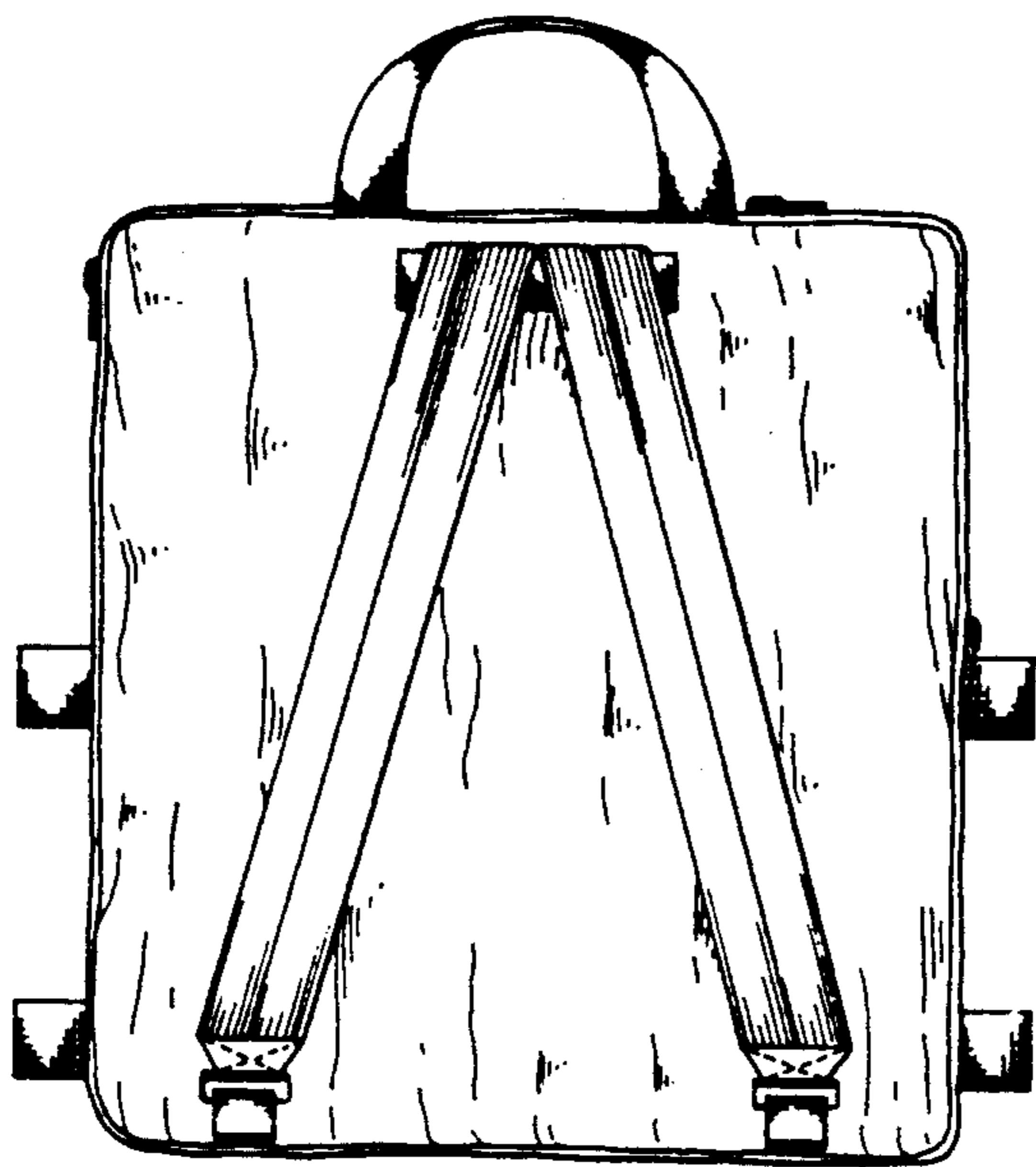


FIG. 4

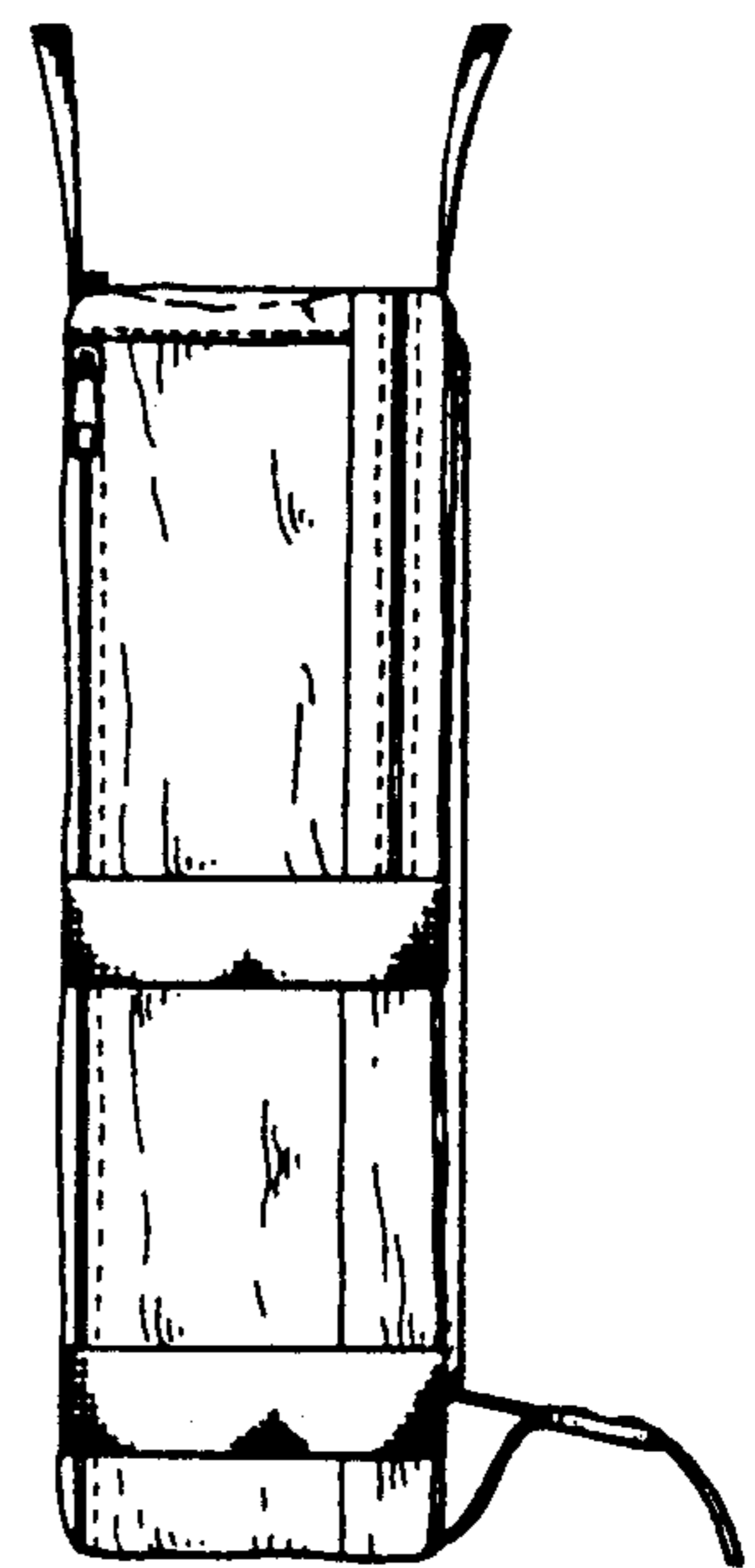


FIG. 5

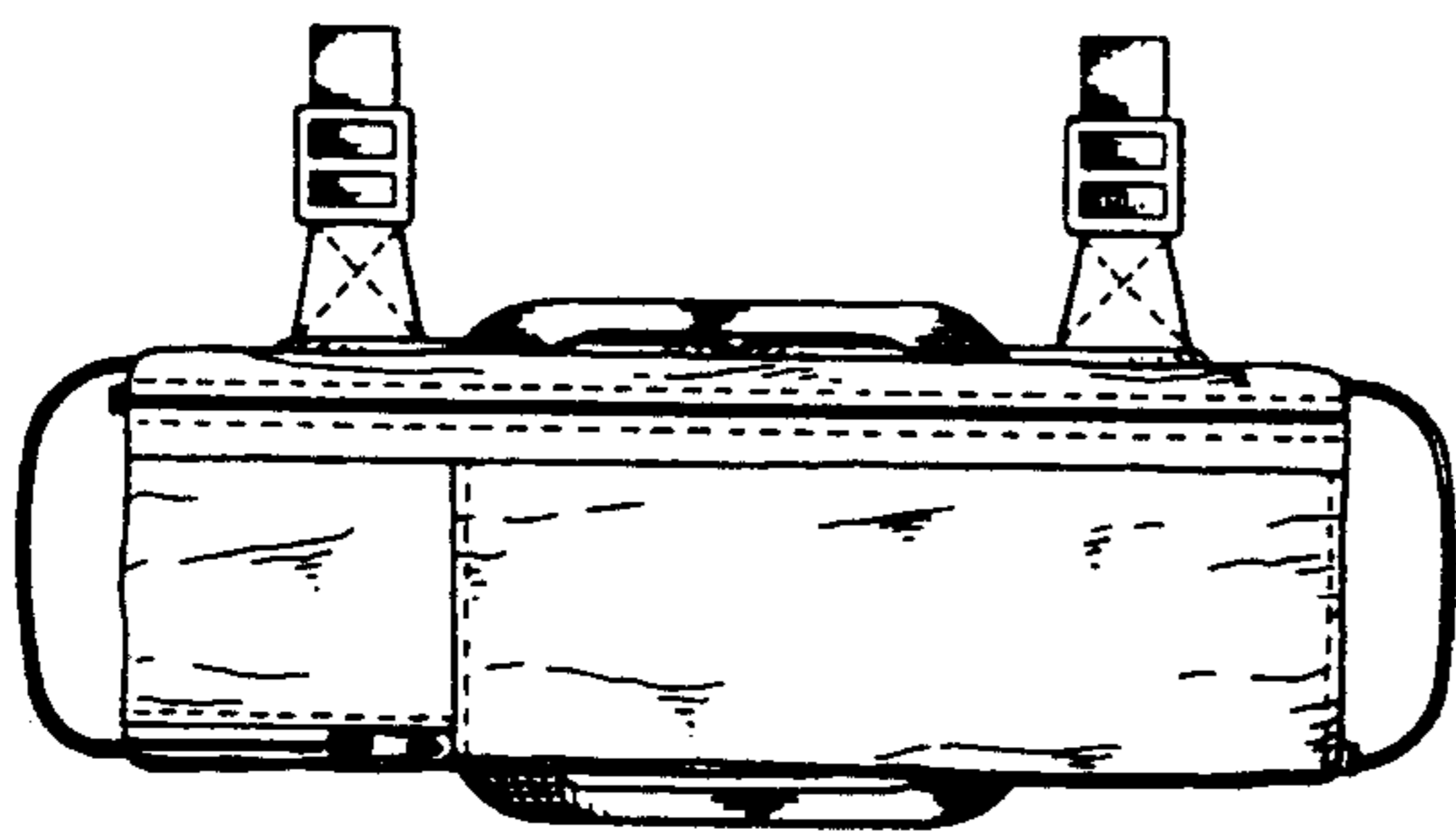


FIG. 6

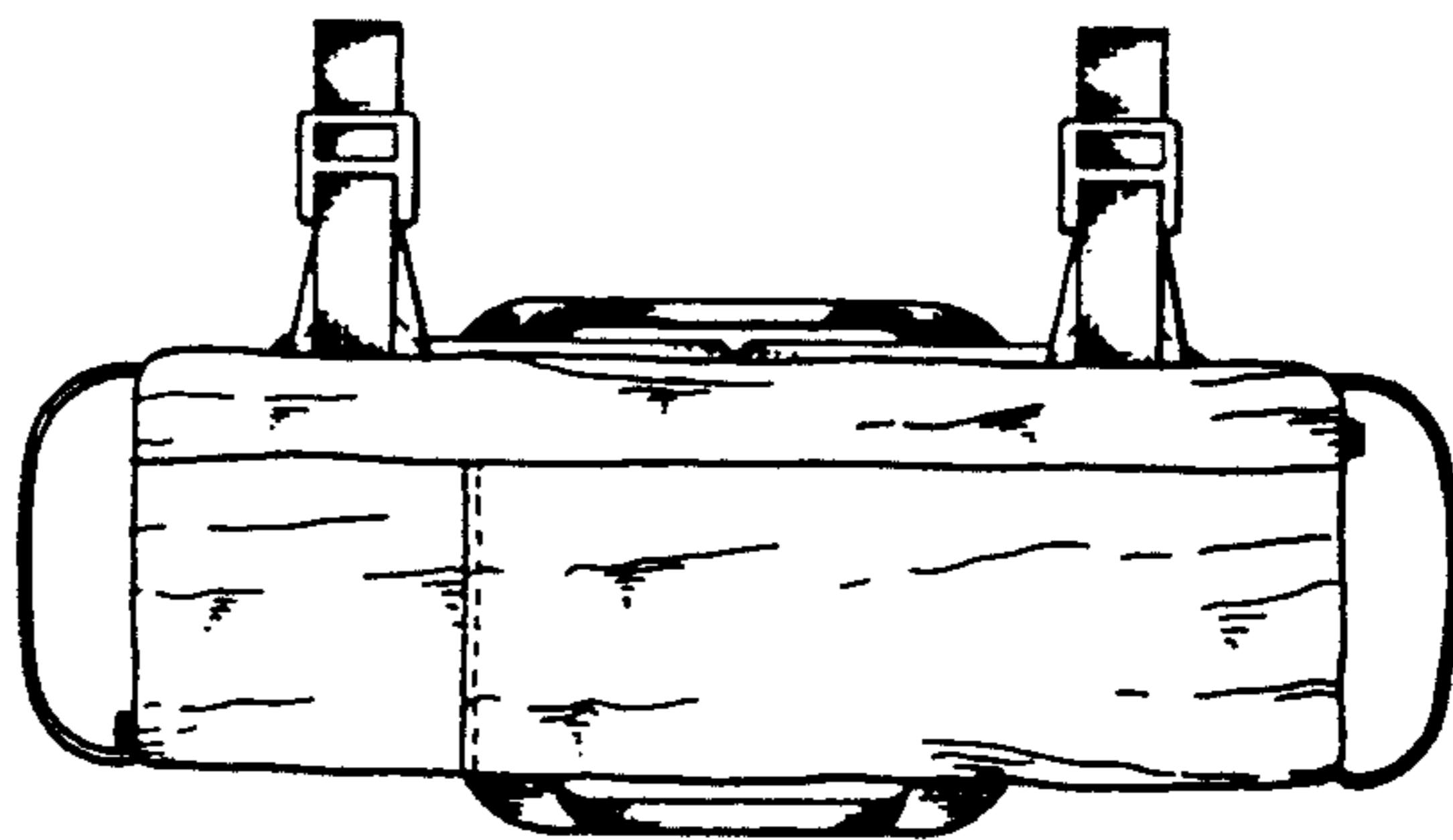


FIG. 7