



US00D343489S

United States Patent [19]

Friesen et al.

[11] Patent Number: **Des. 343,489**

[45] Date of Patent: **** Jan. 18, 1994**

- [54] **BULK SEED TRANSPORT BIN**
- [76] Inventors: **Garry D. Friesen; Raymond P. Waldner**, both of Box 214, Storm Lake, Iowa 50588
- [**] Term: **14 Years**
- [21] Appl. No.: **846,437**
- [22] Filed: **Mar. 6, 1992**
- [52] U.S. Cl. **D34/28; D34/39; D23/203**
- [58] Field of Search **198/313, 314, 311; 414/498, 523; D34/28, 39; D23/203**

4,810,159	3/1989	Stegmuller	414/498
4,981,204	1/1991	Smith	198/313
5,236,261	8/1993	Hagenbuch	414/498

FOREIGN PATENT DOCUMENTS

1202591A	4/1986	Canada	198/53
----------	--------	--------------	--------

Primary Examiner—Kay H. Chin
Attorney, Agent, or Firm—Zarley, McKee, Thomte, Voorhees & Sease

[57] CLAIM

The ornamental design for bulk seed transport bin, as shown and described.

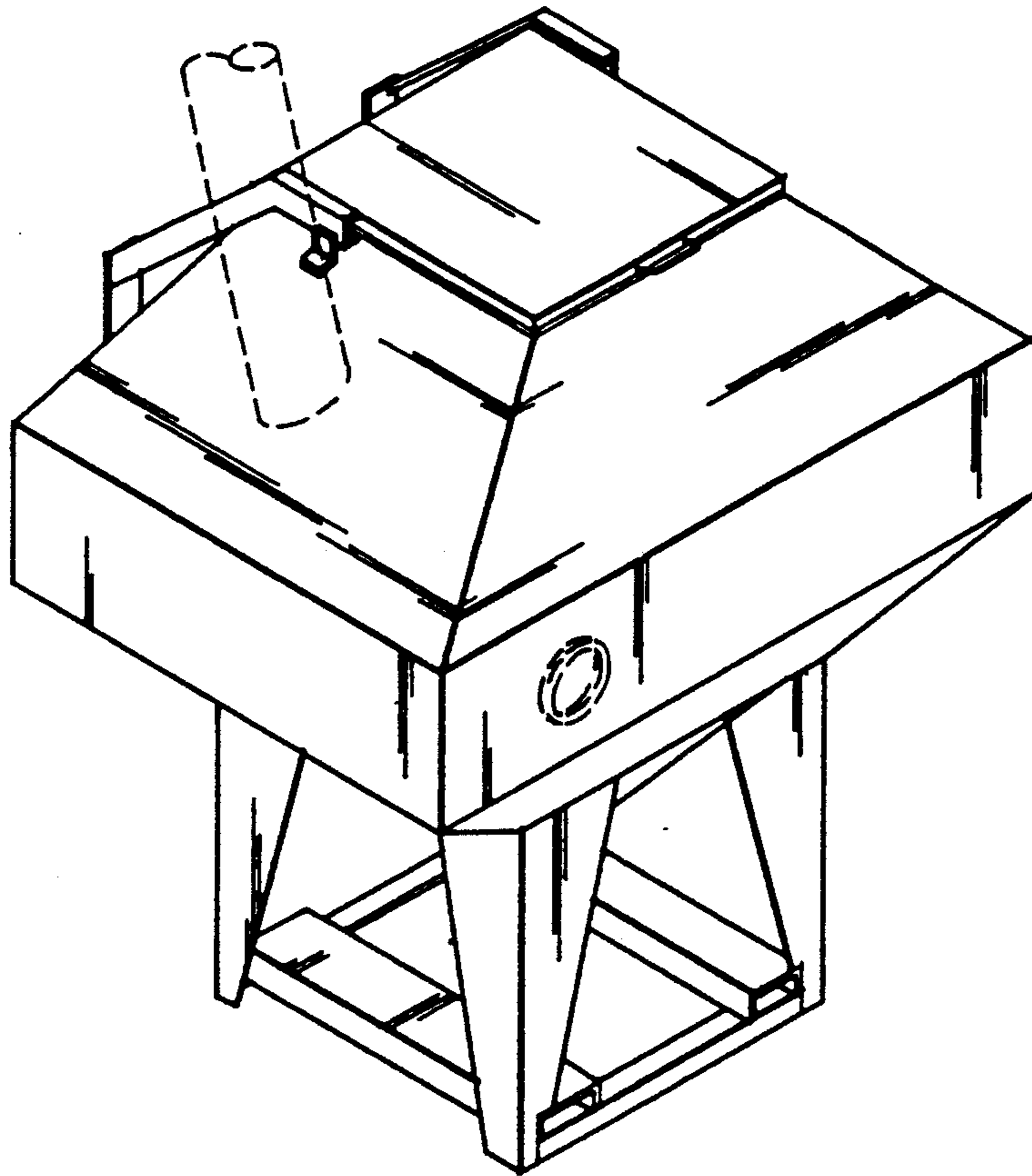
DESCRIPTION

FIG. 1 is a perspective view of the bulk seed transport bin of the present invention;
 FIG. 2 is a front elevation view of the bin;
 FIG. 3 is a rear elevation view of the bin;
 FIG. 4 is a side elevation view of the bin; and,
 FIG. 5 is a top plan view of the bin.
 The broken lines shown in all views are for illustrative purposes only and form no part of the claimed design.

[56] References Cited

U.S. PATENT DOCUMENTS

2,834,451	5/1958	Turner	198/99
2,945,607	7/1960	Blosser	214/83
3,322,429	5/1967	Cervelli	275/8
3,410,389	11/1968	Ashton	198/114
3,498,483	3/1970	Meharry	198/311
4,218,169	8/1980	Arends	414/523
4,571,143	2/1986	Hellerich	414/523



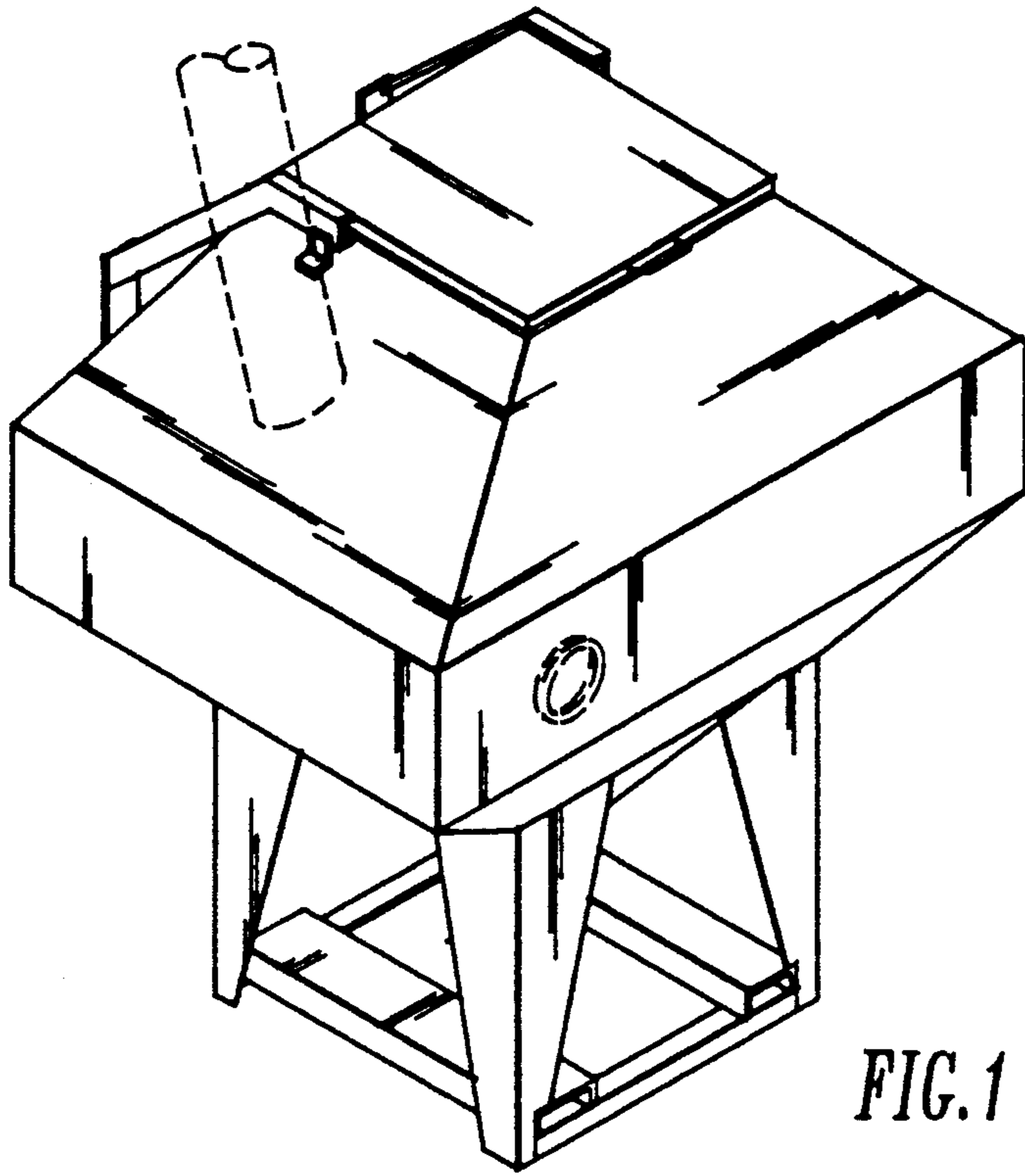


FIG. 1

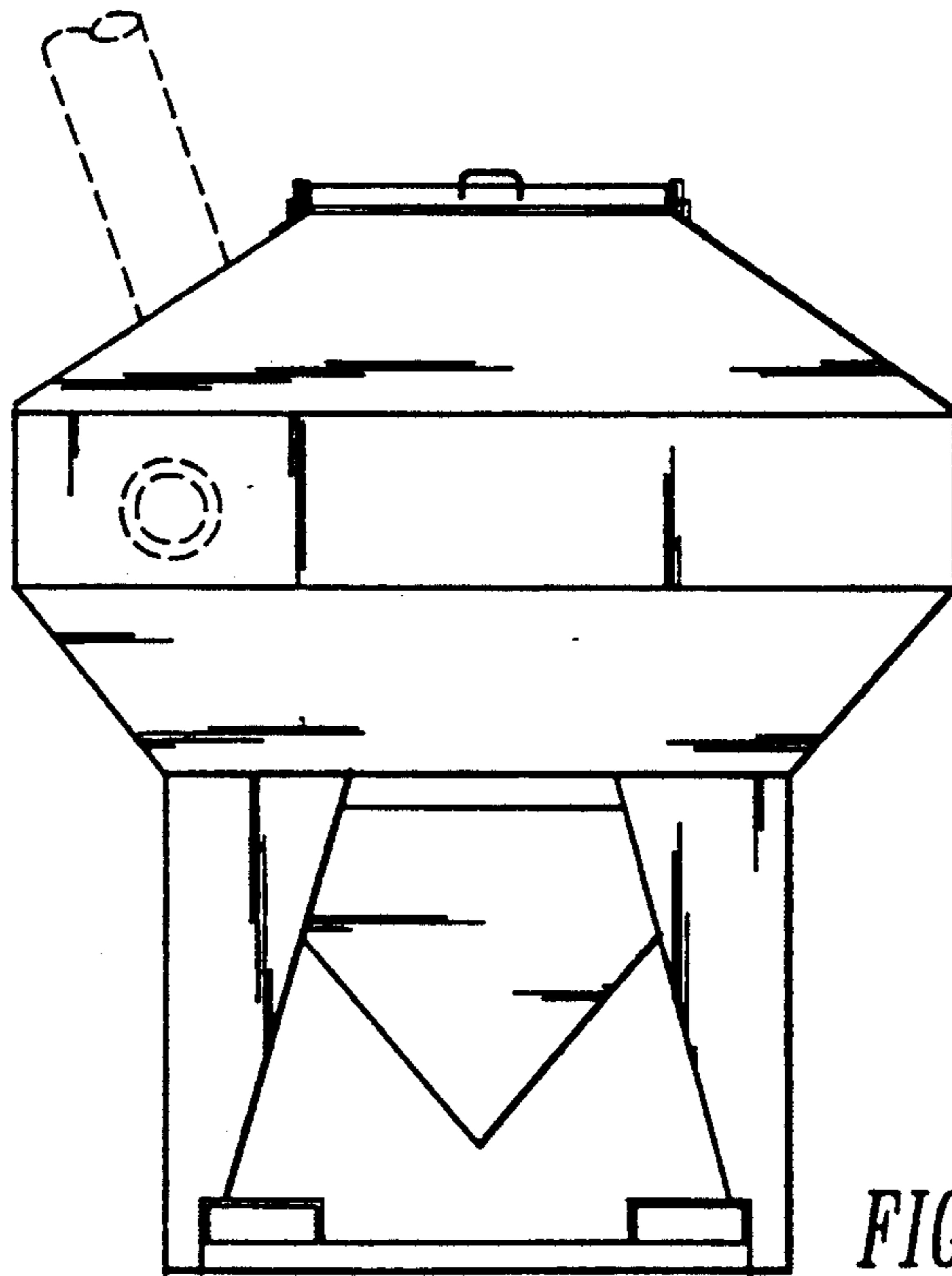


FIG. 2

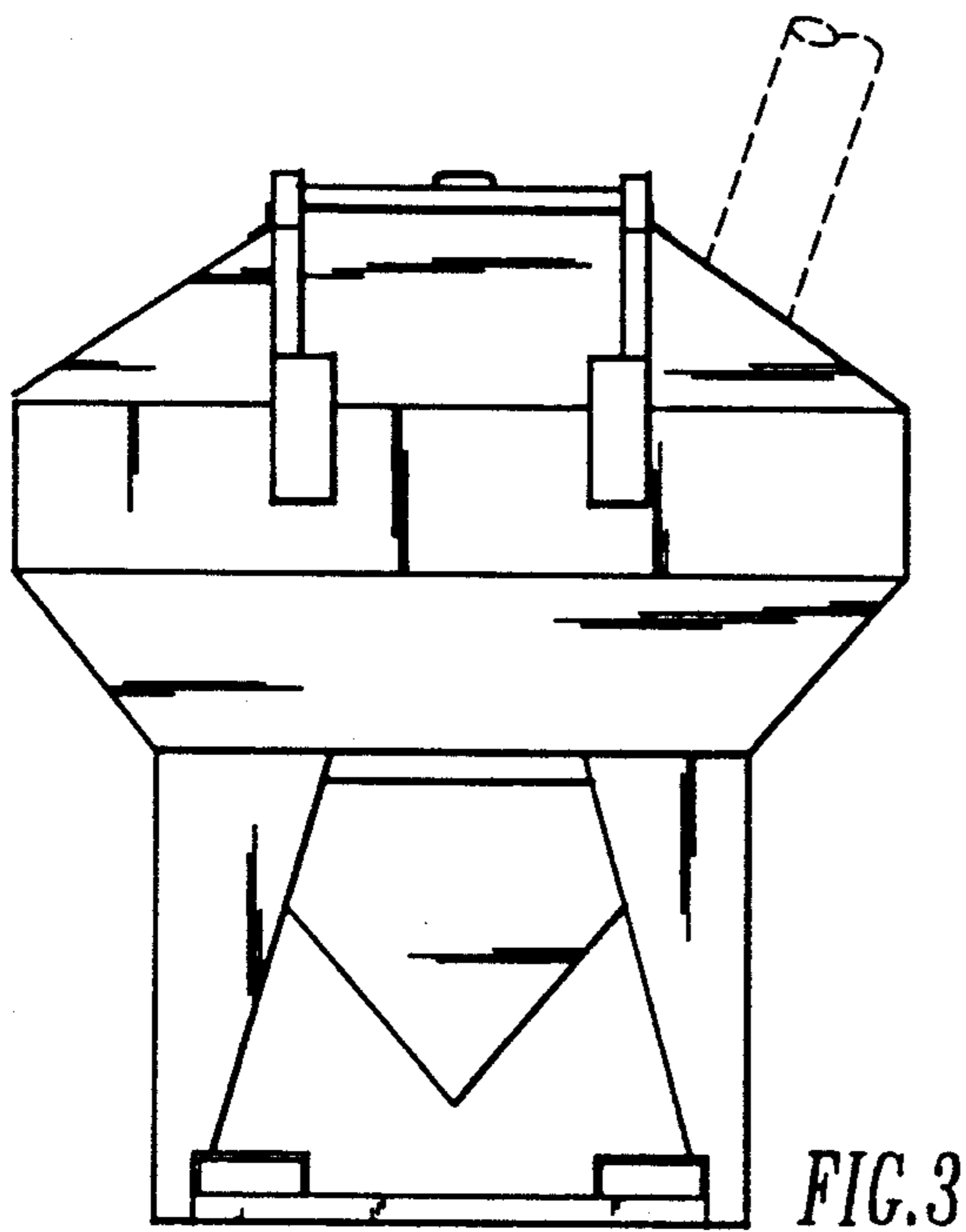


FIG. 3

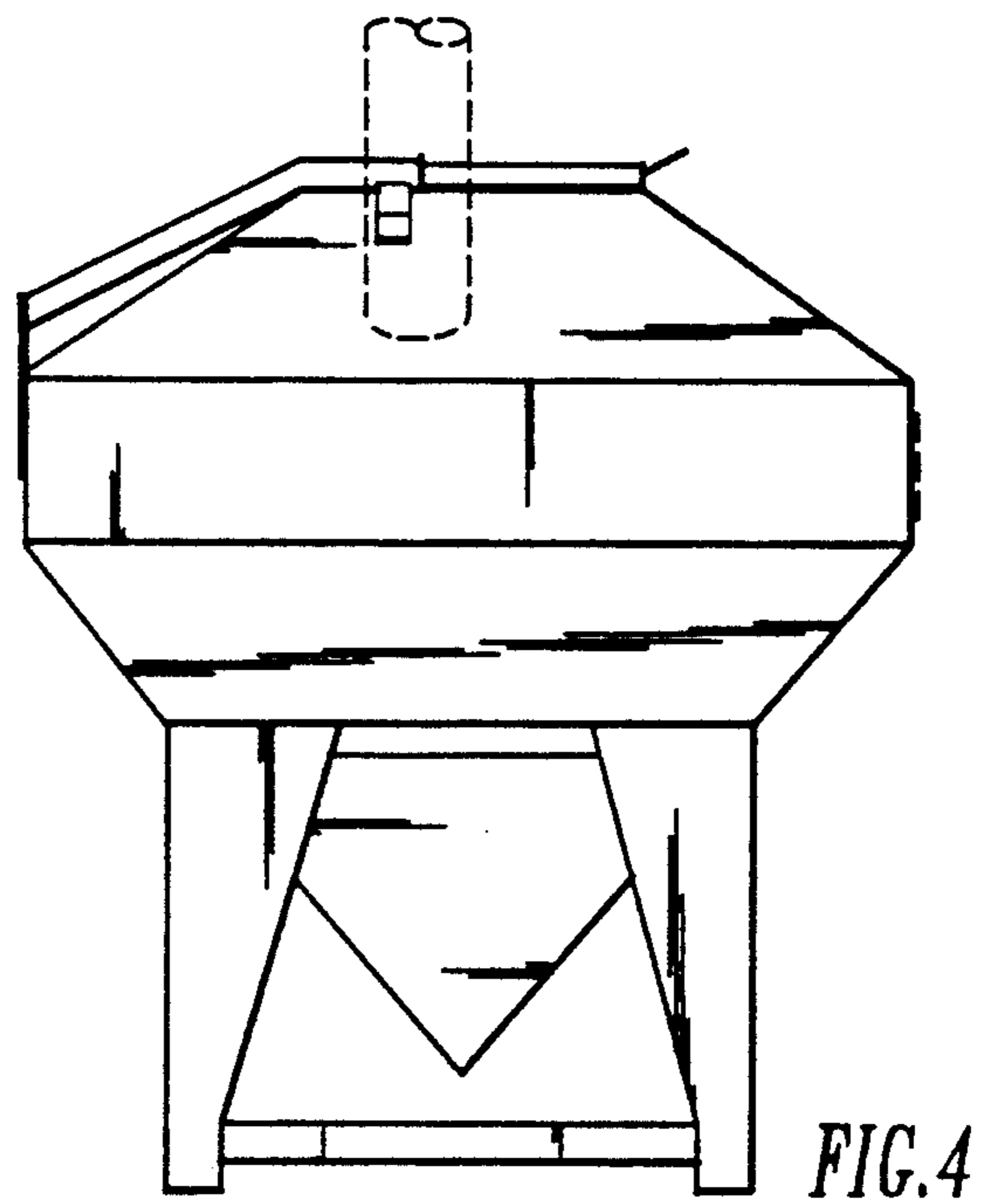


FIG. 4

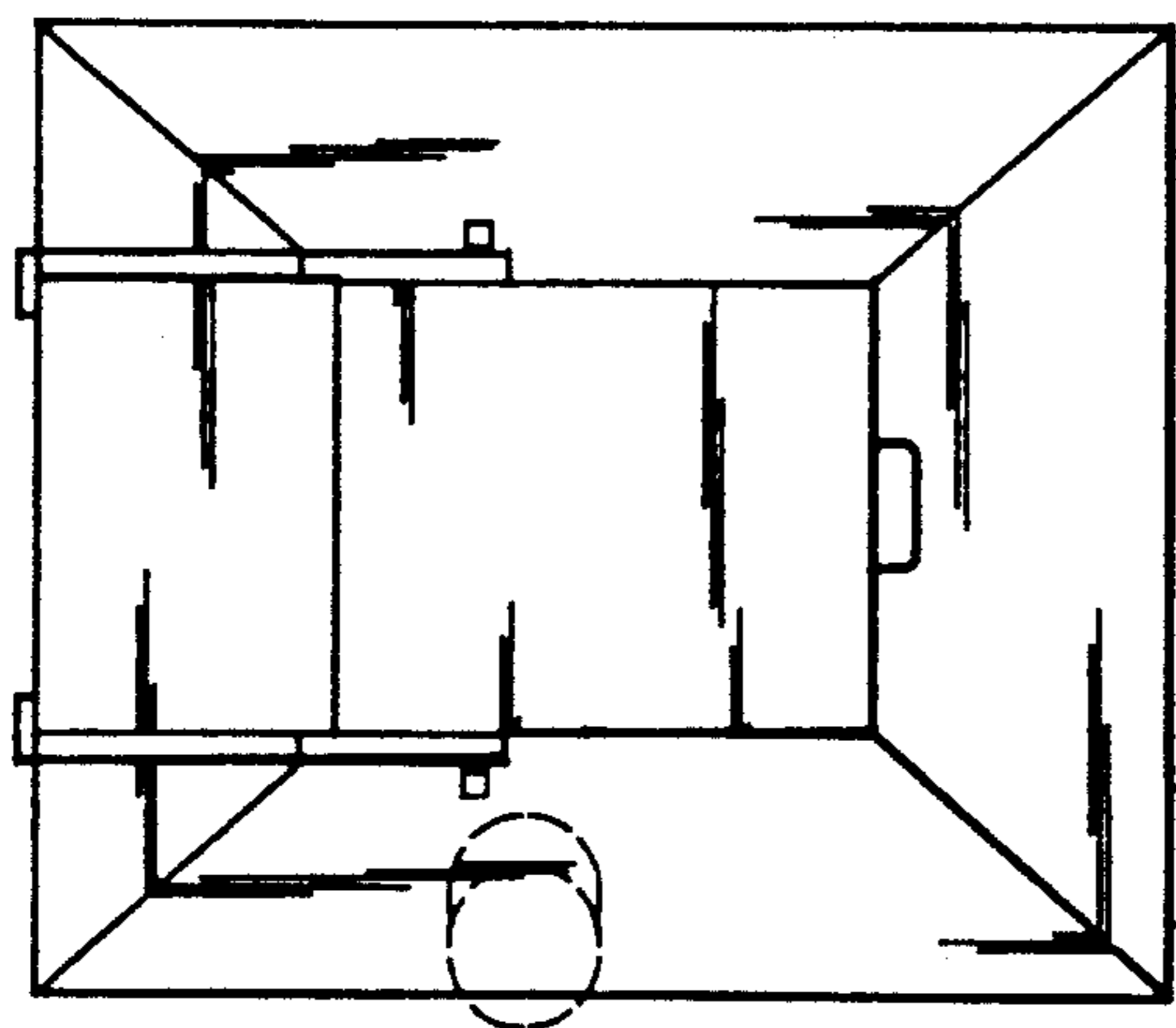


FIG. 5