



US00D343488S

# United States Patent [19]

[11] Patent Number: Des. 343,488

Fletcher

[45] Date of Patent: \*\* Jan. 18, 1994

[54] AUTOMOTIVE LIFT

5,050,844 9/1991 Hawk ..... 254/90  
5,096,159 3/1992 Fletcher ..... 187/8.72

[75] Inventor: Robert H. Fletcher, Glenwood, N.J.

Primary Examiner—Kay H. Chin  
Attorney, Agent, or Firm—M. K. Silverman

[73] Assignee: Advantage Lift Systems, Inc., San Diego, Calif.

[\*\*] Term: 14 Years

[57] CLAIM

[21] Appl. No.: 771,994

The ornamental design for an automotive lift, as shown and described.

[22] Filed: Oct. 7, 1991

DESCRIPTION

[52] U.S. Cl. .... D34/28; D34/31

[58] Field of Search ..... 248/90, 89 H, 10 R;  
187/8.72; D34/28, 29, 31, 32

FIG. 1 is a perspective view of the automotive lift;  
FIG. 2 is a front view thereof;  
FIG. 3 is a back view;  
FIG. 4 is a right side view thereof, in which the left side is a mirror image thereof;  
FIG. 5 is a bottom view of the inventive lift; and,  
FIG. 6 is a top view thereof.

[56] References Cited

U.S. PATENT DOCUMENTS

1,801,906 4/1931 D'Humy et al. .... D34/29

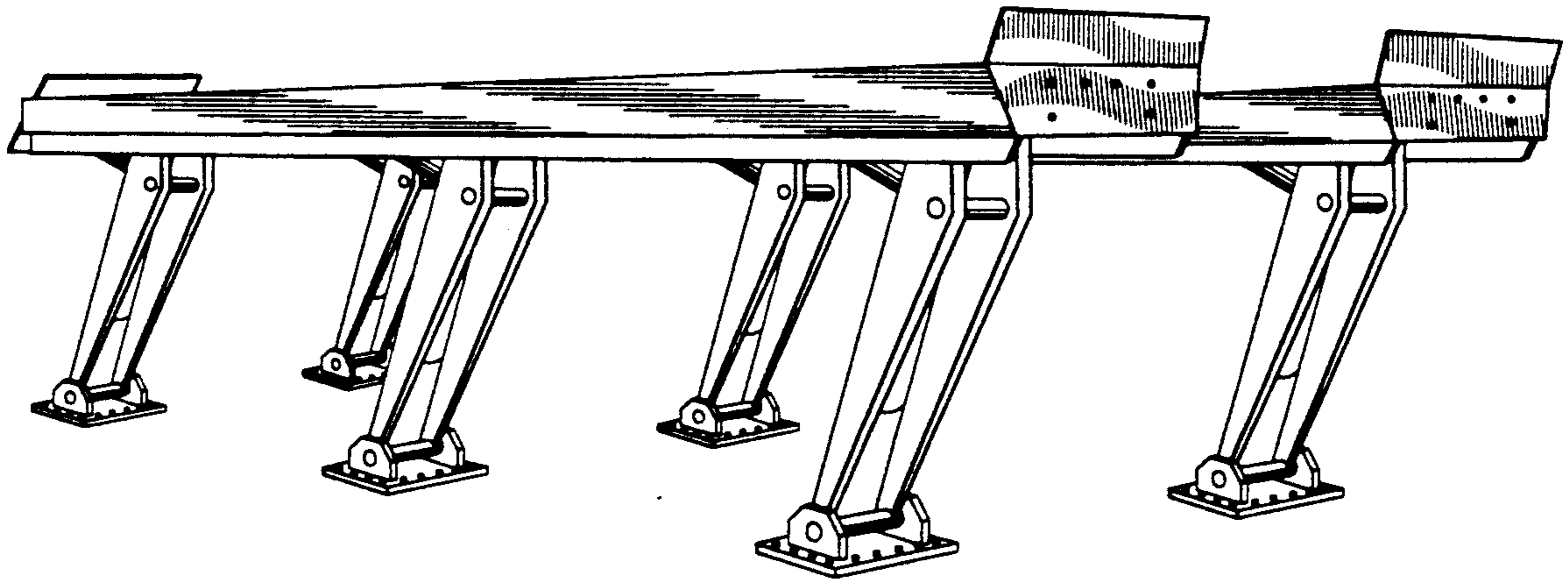


FIG. 1.

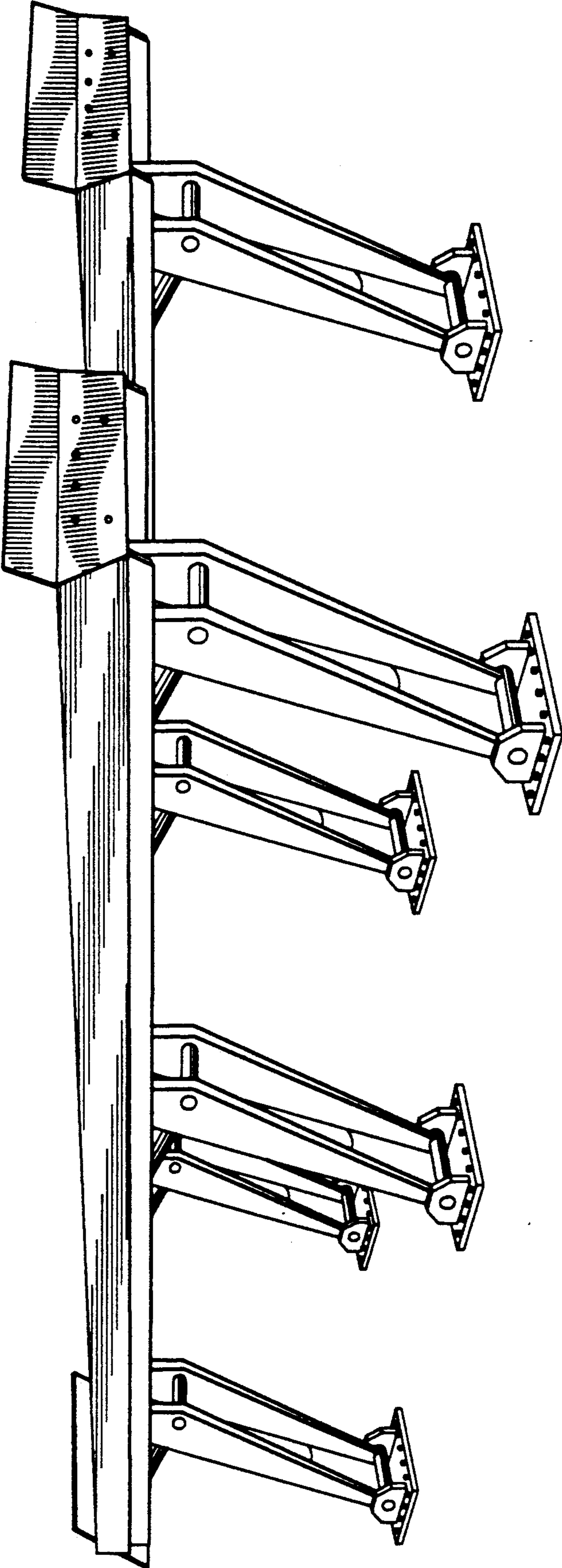


FIG. 3.

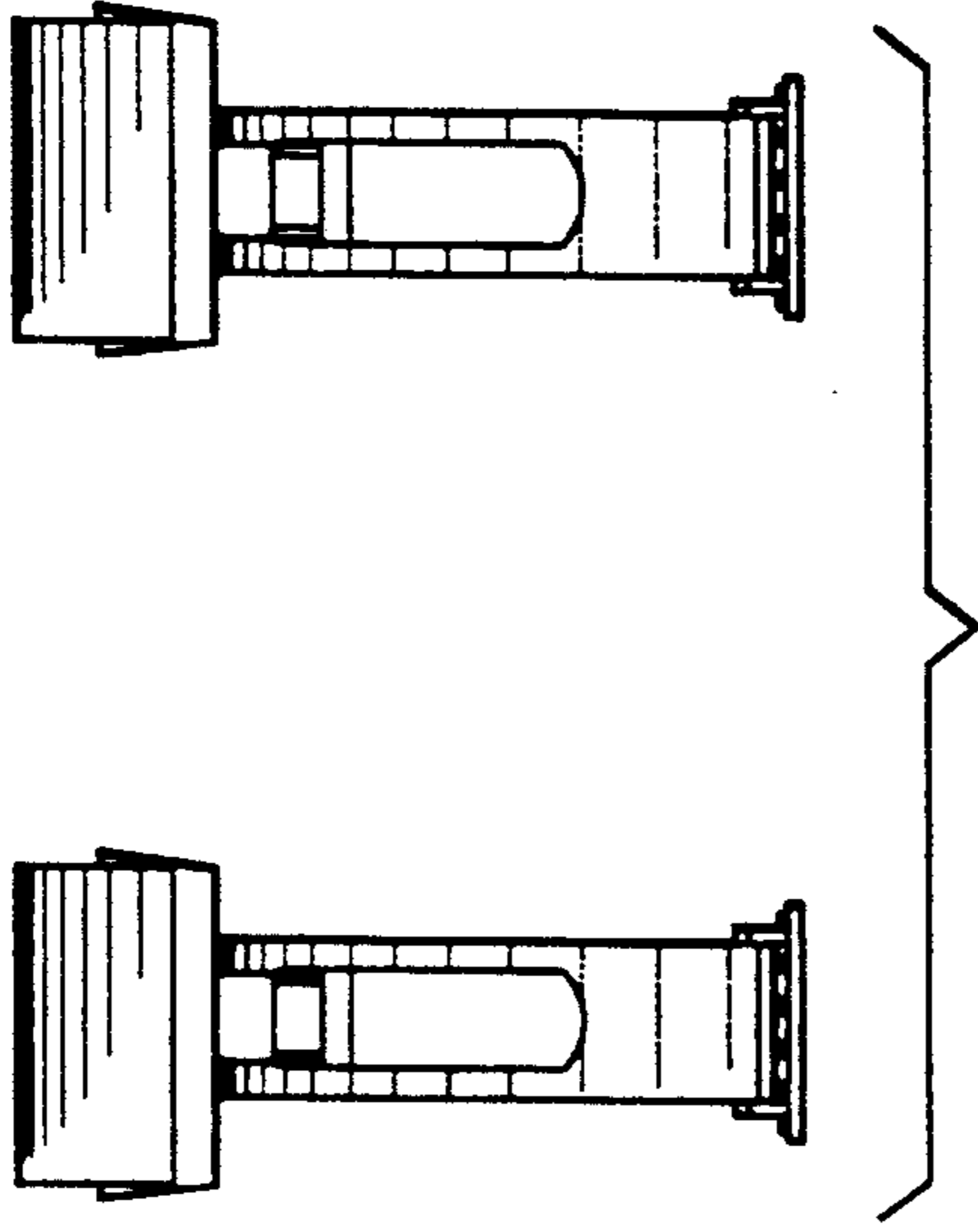


FIG. 2.

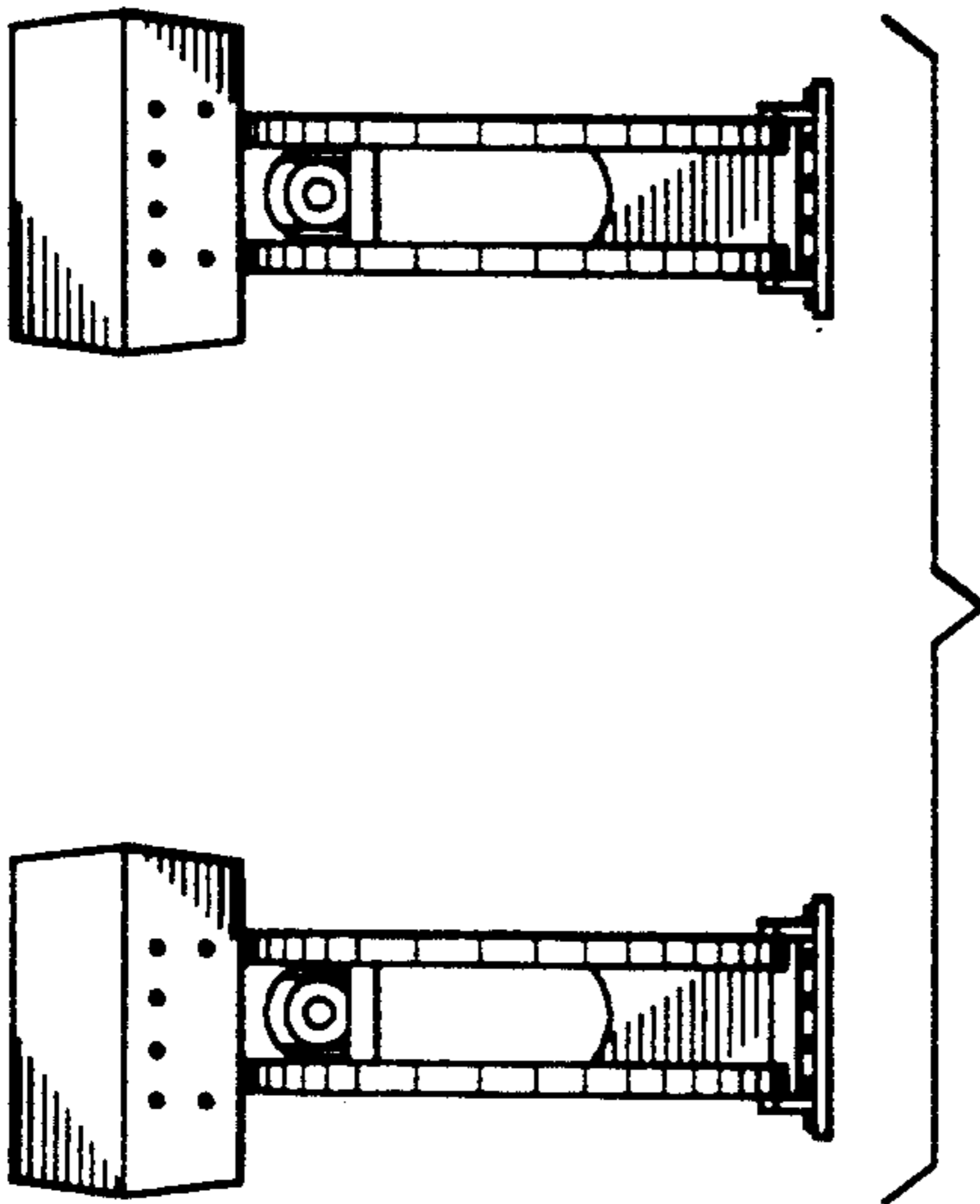


FIG. 4.

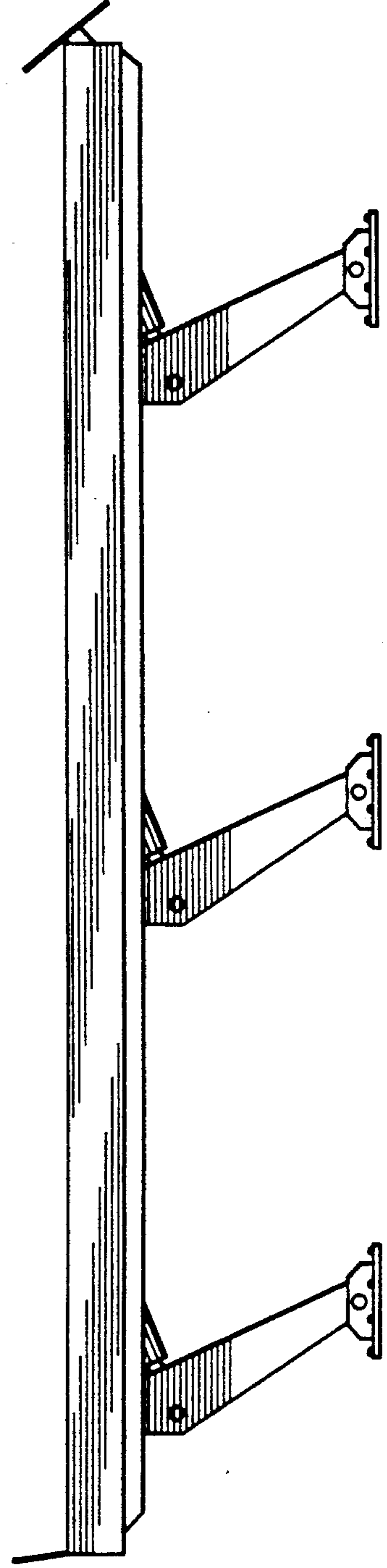


FIG. 5.

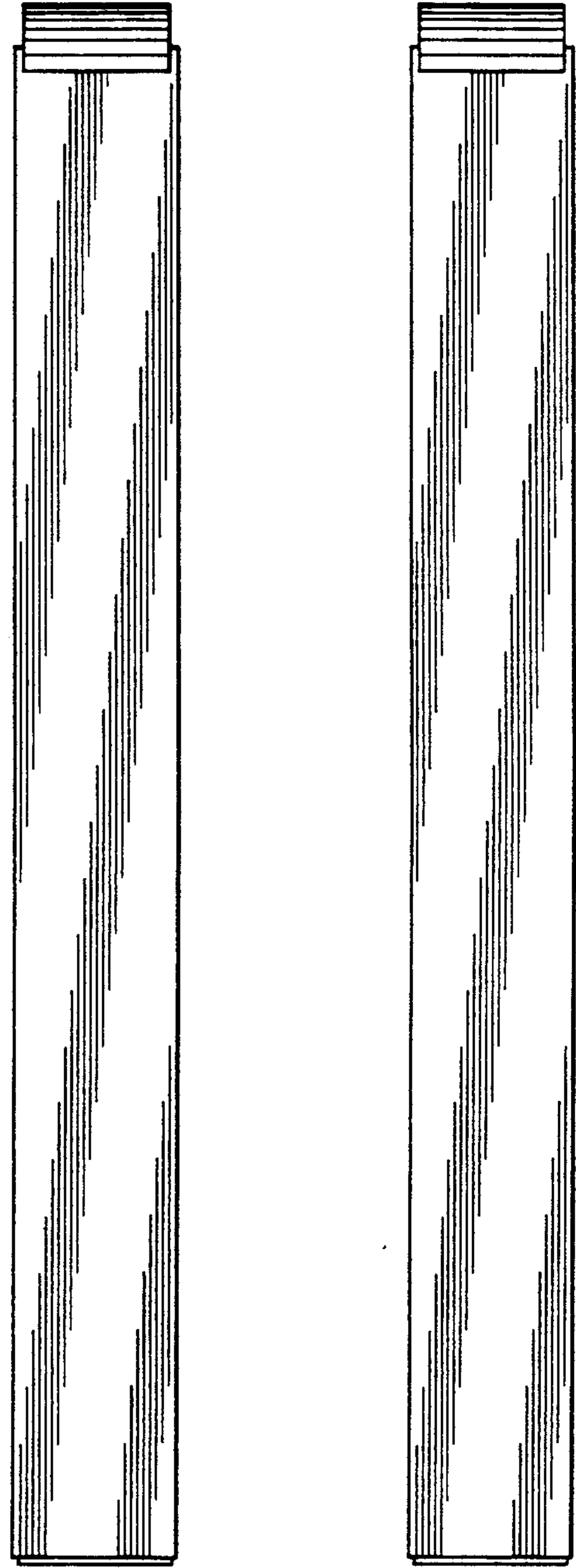
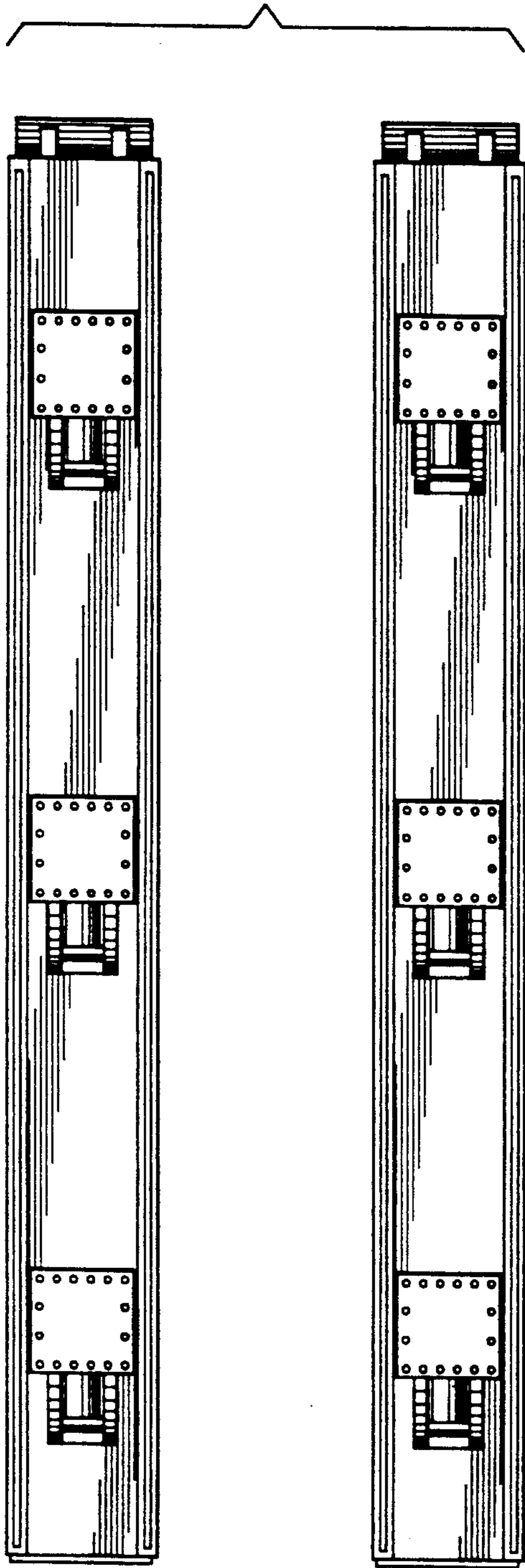


FIG. 6.