



US00D343487S

United States Patent [19] McIntyre

[11] Patent Number: **Des. 343,487**
[45] Date of Patent: **** Jan. 18, 1994**

[54] **INCINERATOR CLEANOUT BUCKET**

[76] Inventor: **Roger L. McIntyre, 348 Kaufman,
Dubuque, Iowa 52001**

[**] Term: **14 Years**

[21] Appl. No.: **854,969**

[22] Filed: **Mar. 20, 1992**

[52] U.S. Cl. **D34/3; D34/28**

[58] Field of Search **414/420, 422, 424, 411;
D34/1, 3, 28**

4,405,278 9/1983 Kvalheim 414/411
4,408,946 10/1983 Haven 414/424
4,705,446 11/1987 Miller 414/422
5,006,039 4/1991 Niederer 414/420

Primary Examiner—Kay H. Chin
Attorney, Agent, or Firm—Richard C. Litman

[57] CLAIM

The ornamental design for an incinerator cleanout bucket, as shown and described.

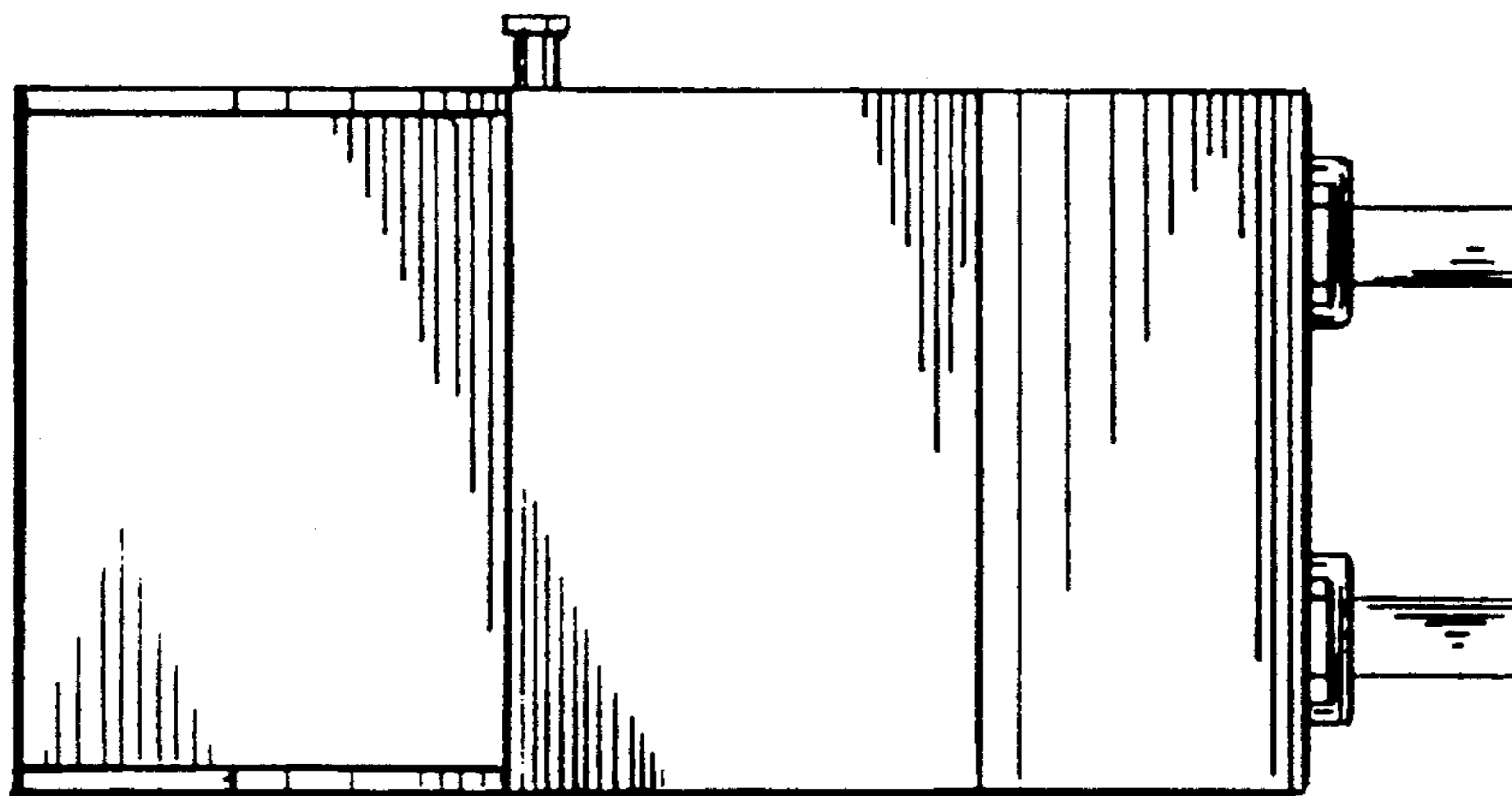
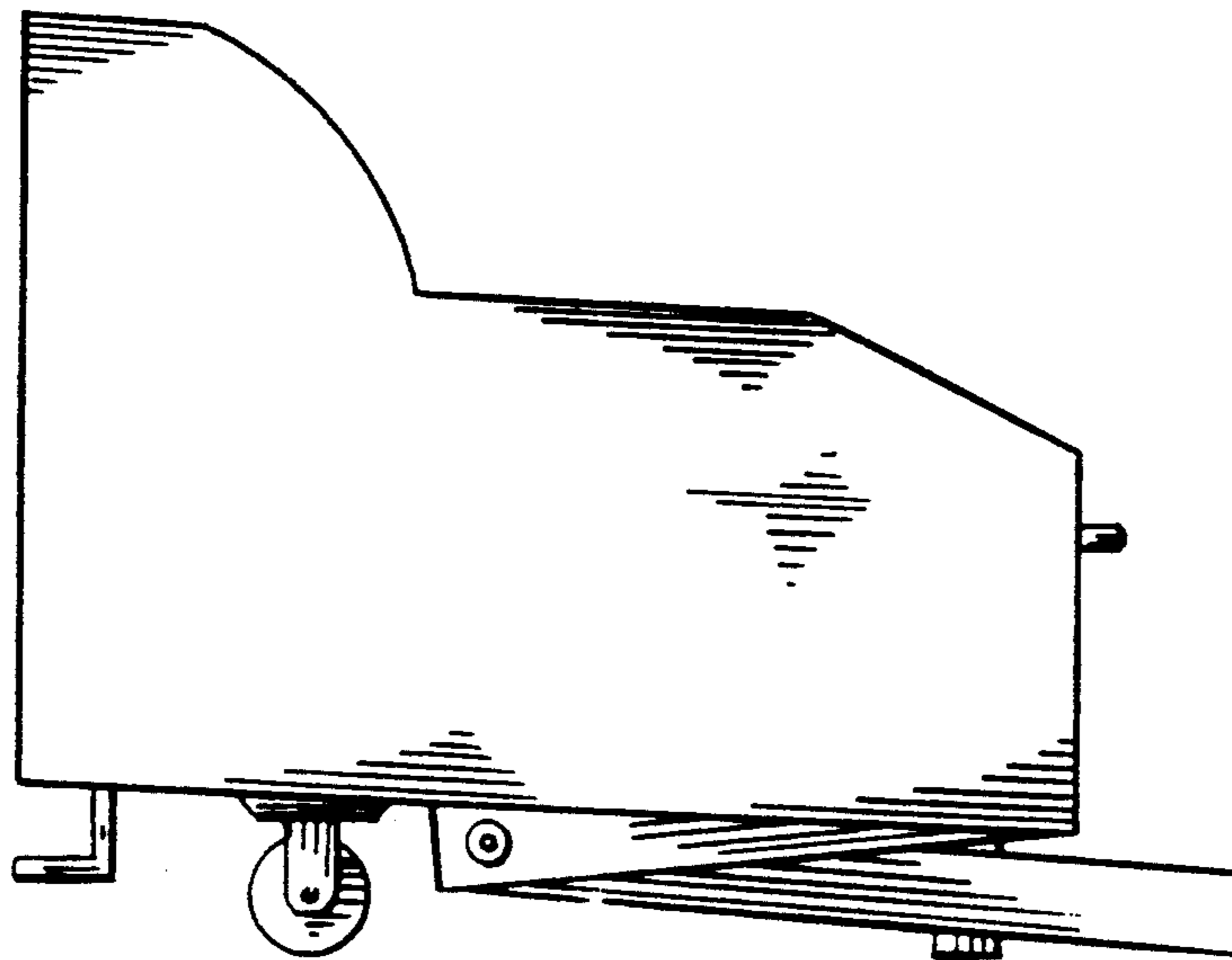
DESCRIPTION

FIG. 1 is a left side elevational view of an incinerator cleanout bucket showing my new design;
FIG. 2 is a right side elevational view thereof;
FIG. 3 is a rear elevational view thereof;
FIG. 4 is a front elevational view thereof;
FIG. 5 is a bottom plan view thereof; and,
FIG. 6 is a top plan view thereof.

[56] References Cited

U.S. PATENT DOCUMENTS

D. 300,069 2/1989 Abel D34/3
3,613,924 10/1971 Monson 414/420
3,656,643 4/1972 Keneson 414/424
3,702,662 11/1972 Davieau 414/422



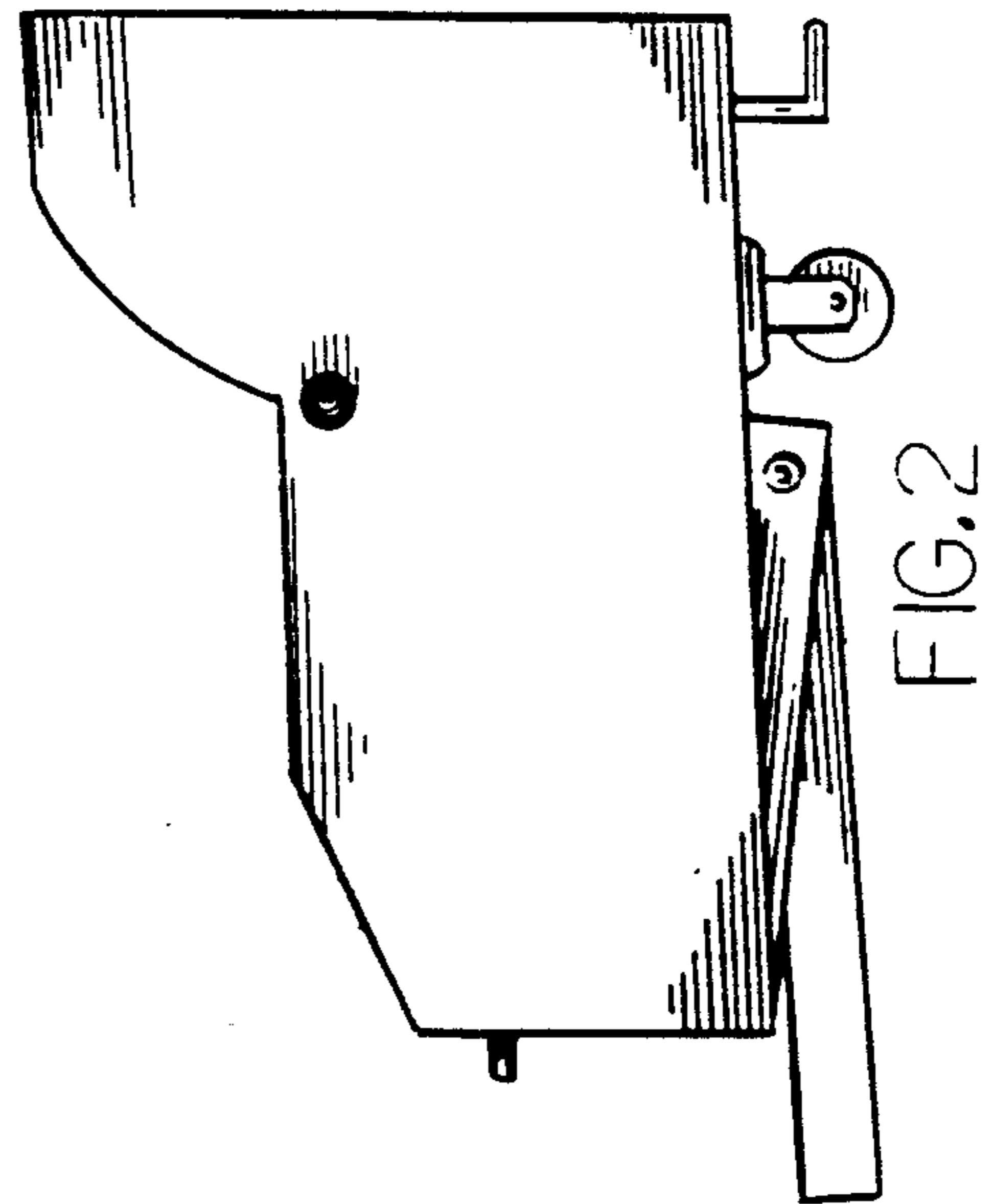
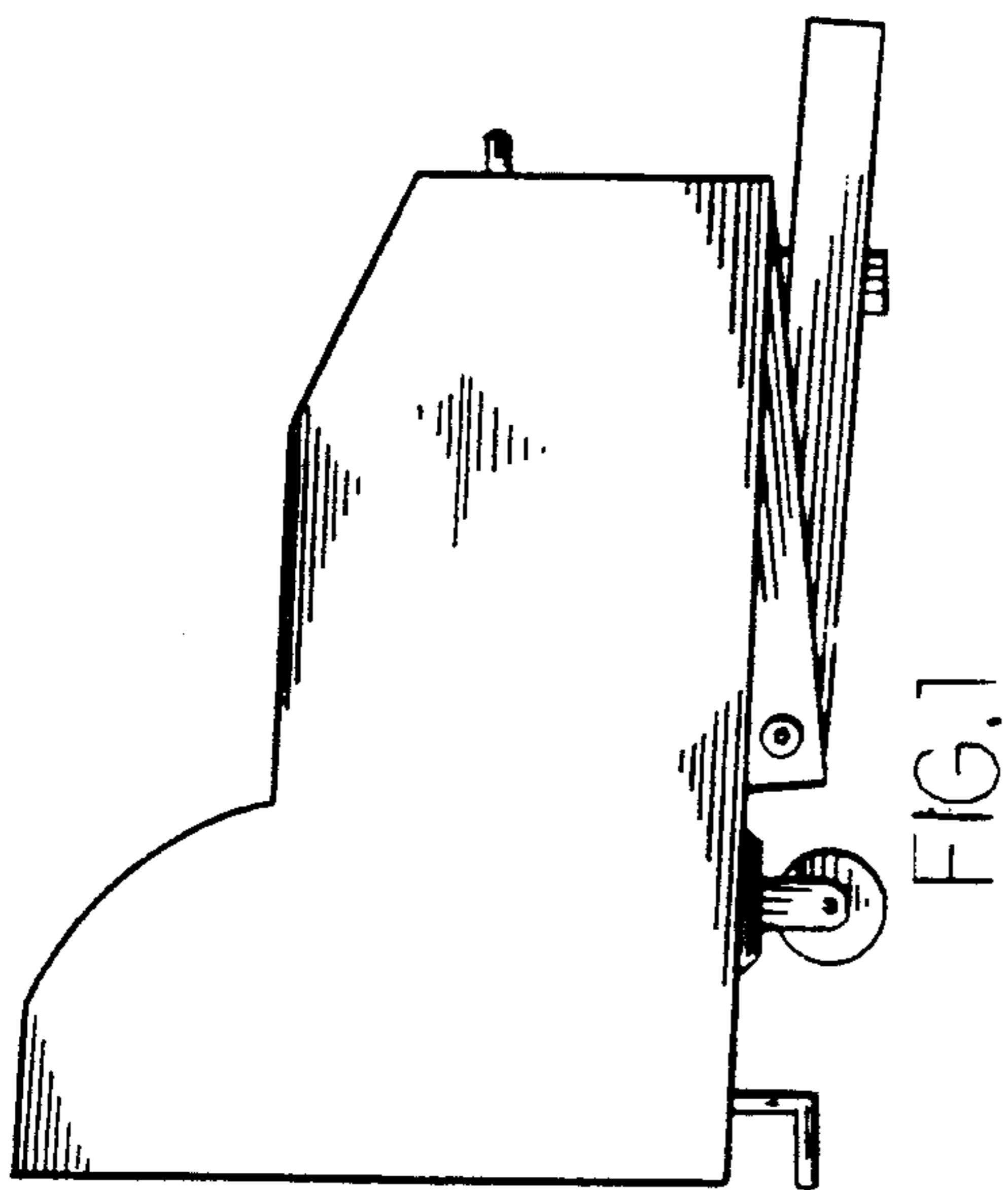
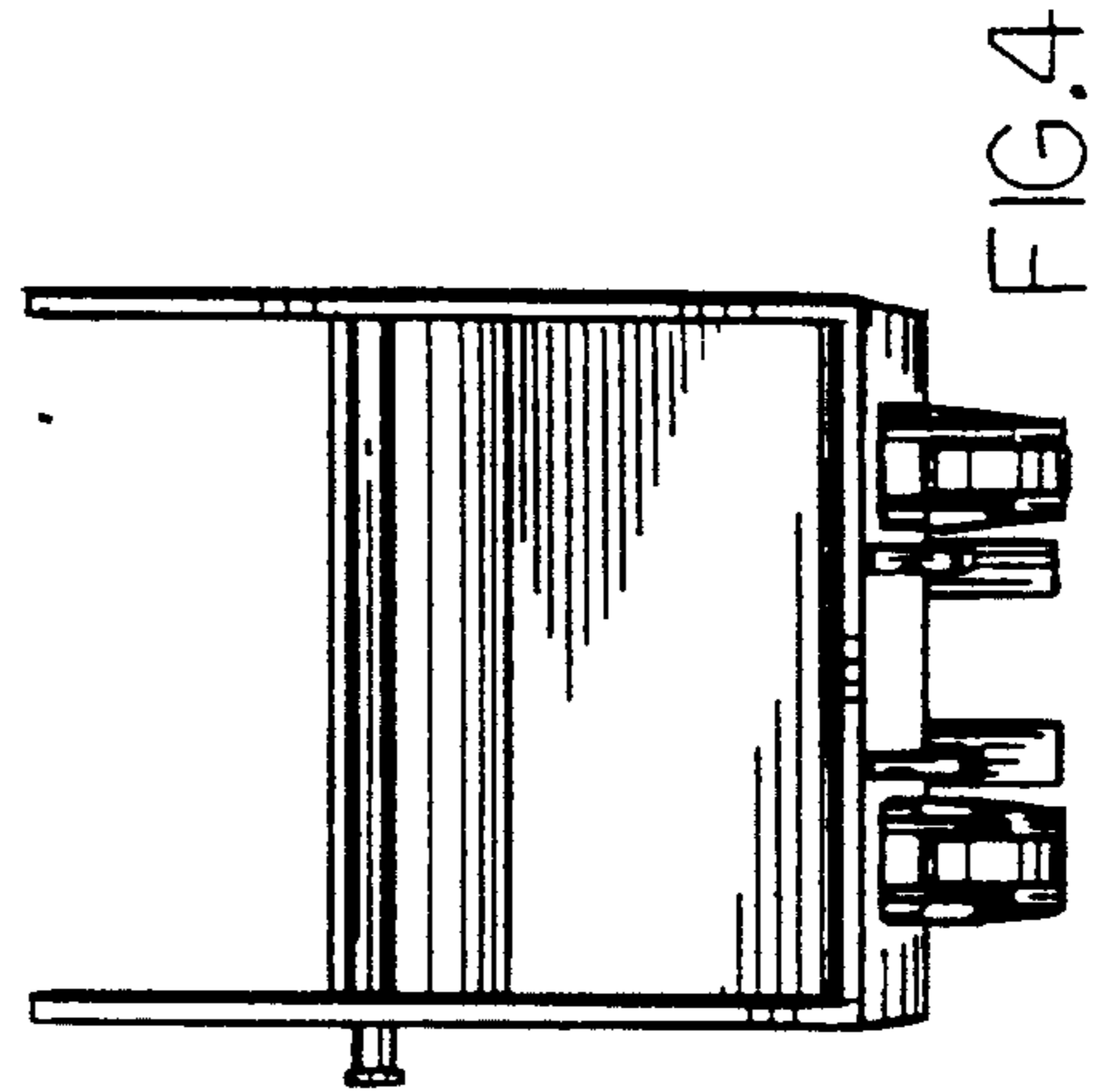
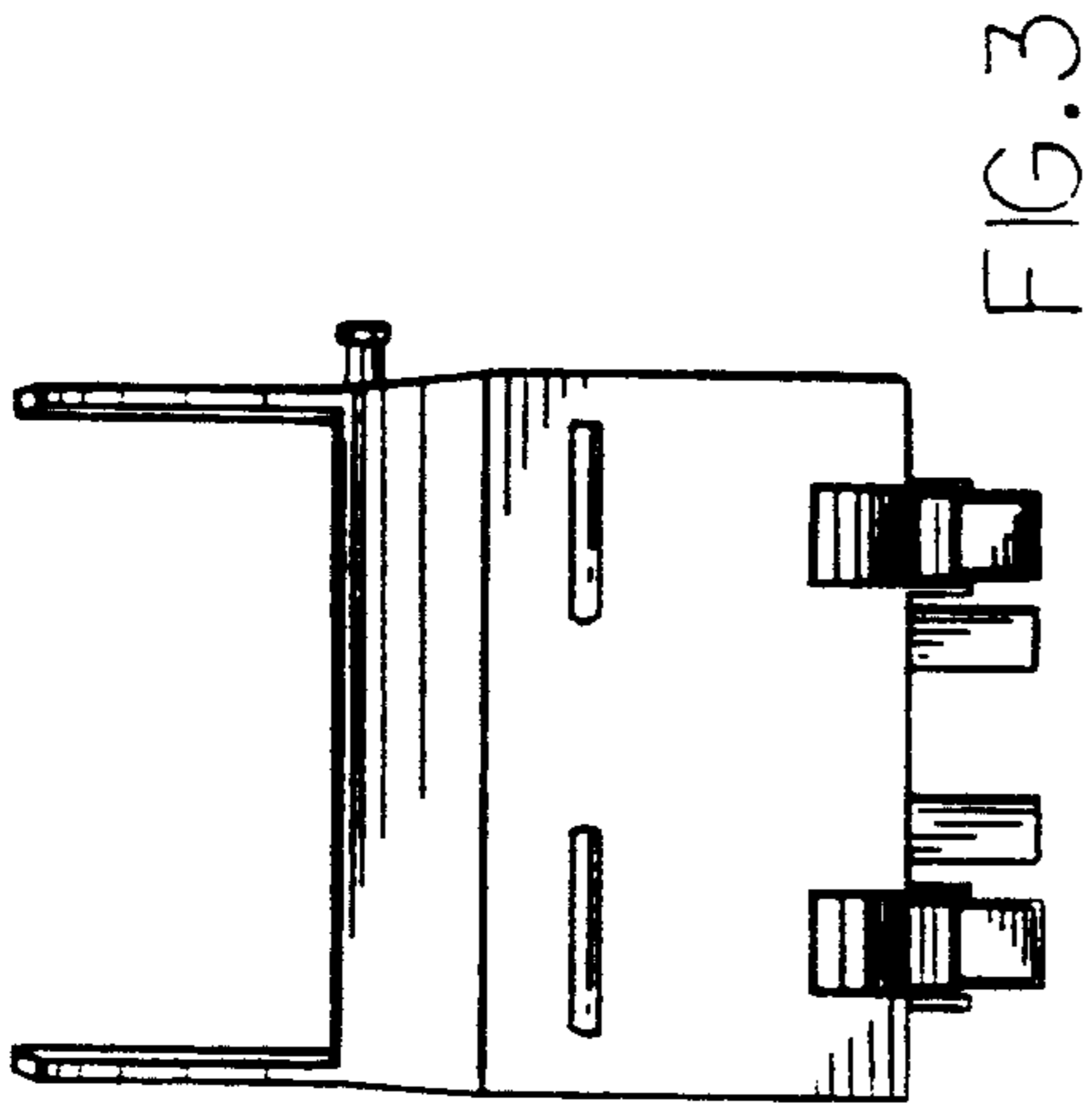


FIG. 5

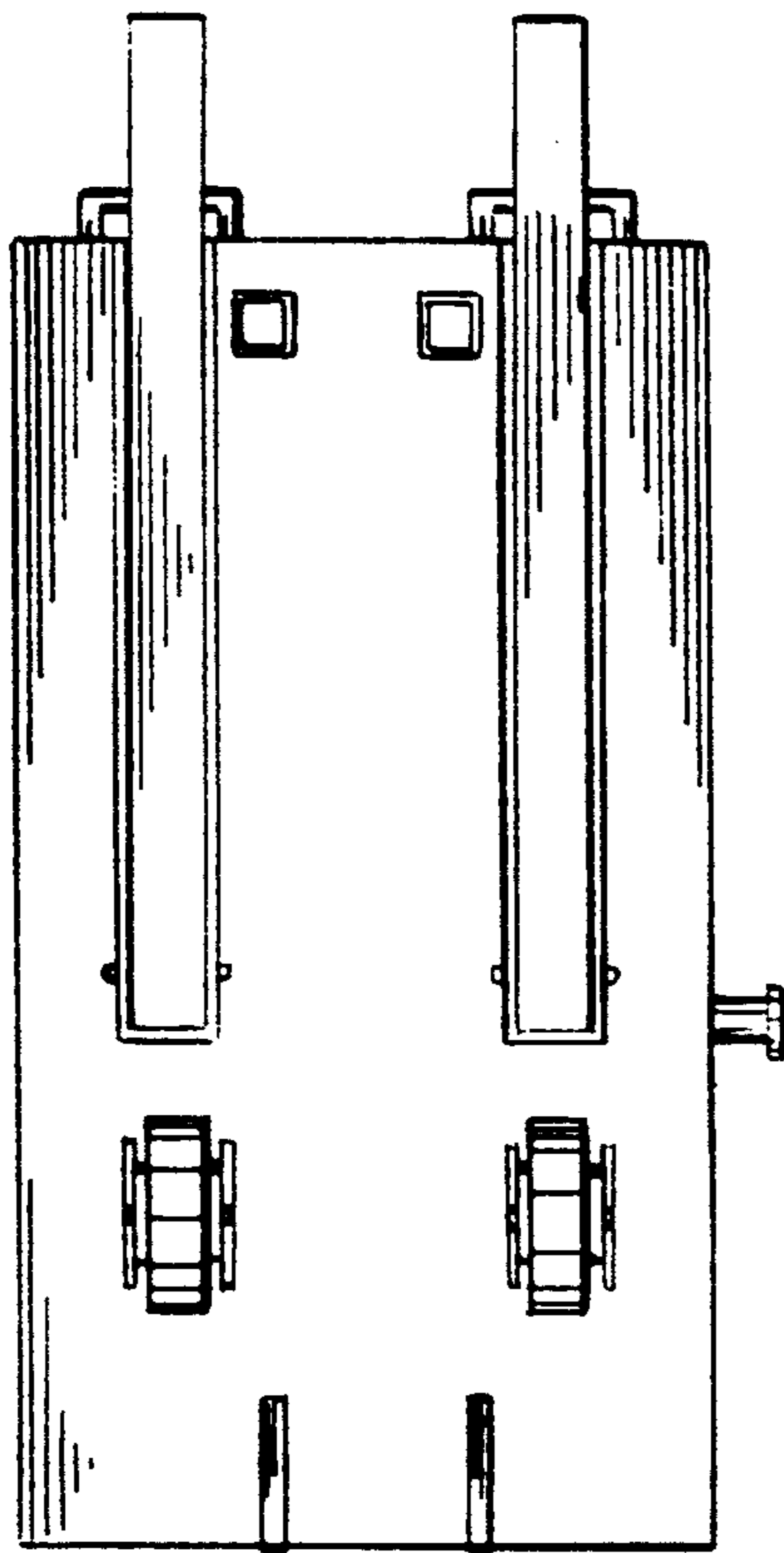


FIG. 6

