



US00D343483S

**United States Patent** [19]  
**Hoshino**

[11] **Patent Number: Des. 343,483**  
[45] **Date of Patent: \*\* Jan. 18, 1994**

[54] **UPRIGHT VACUUM CLEANER HEAD**

4,996,737 3/1991 Madru, Sr. .... 15/377

[75] **Inventor: Kiyo Hoshino, Phoenix, Ariz.**

**OTHER PUBLICATIONS**

[73] **Assignee: Ryobi Motor Products Corp., Easley, S.C.**

Oreck, cover, "Oreck XL 988 Upright vac. cleaner".

[\*\*] **Term: 14 Years**

*Primary Examiner*—Ruth McInroy

*Attorney, Agent, or Firm*—Brooks & Kushman

[21] **Appl. No.: 819,518**

[57] **CLAIM**

[22] **Filed: Jan. 10, 1992**

The ornamental design for an upright vacuum cleaner head, as shown and described.

[52] **U.S. Cl. .... D32/31**

**DESCRIPTION**

[58] **Field of Search** ..... 15/323-326,  
15/327.6, 331-336, 337, 347, 350-351, 361, 377,  
412, 413, 415.1; D32/21-22, 31-34

FIG. 1 is a perspective view of an upright vacuum cleaner head showing my new design;

FIG. 2 is a left side elevational view thereof;

FIG. 3 is a top plan view thereof;

FIG. 4 is a bottom plan view thereof;

FIG. 5 is a right side elevational view thereof;

FIG. 6 is a rear elevational view thereof;

FIG. 7 is a front elevational view thereof;

FIG. 8 is a perspective view of a second embodiment thereof;

FIG. 9 is a left side elevational view thereof;

FIG. 10 is a top plan view thereof;

FIG. 11 is a bottom plan view thereof;

FIG. 12 is a right side elevational view thereof;

FIG. 13 is a rear elevational view thereof; and,

FIG. 14 is a front elevational view thereof.

[56] **References Cited**

**U.S. PATENT DOCUMENTS**

D. 200,292	2/1965	Fritts .	
D. 248,476	7/1978	Haynes .....	D32/32
D. 262,708	1/1982	Essex .....	D32/21
D. 274,149	6/1982	Gibson .....	D32/22
D. 275,428	9/1984	Wareham .....	D32/22
D. 298,876	12/1988	Yamamoto et al. ....	D32/33
D. 305,169	12/1989	Essex et al. ....	D32/31
D. 307,069	4/1990	Kieft .....	D32/22
D. 313,294	12/1990	Slany et al. ....	D32/33
D. 314,264	1/1991	Kim .....	D32/33
D. 314,265	1/1991	Hong .....	D32/33

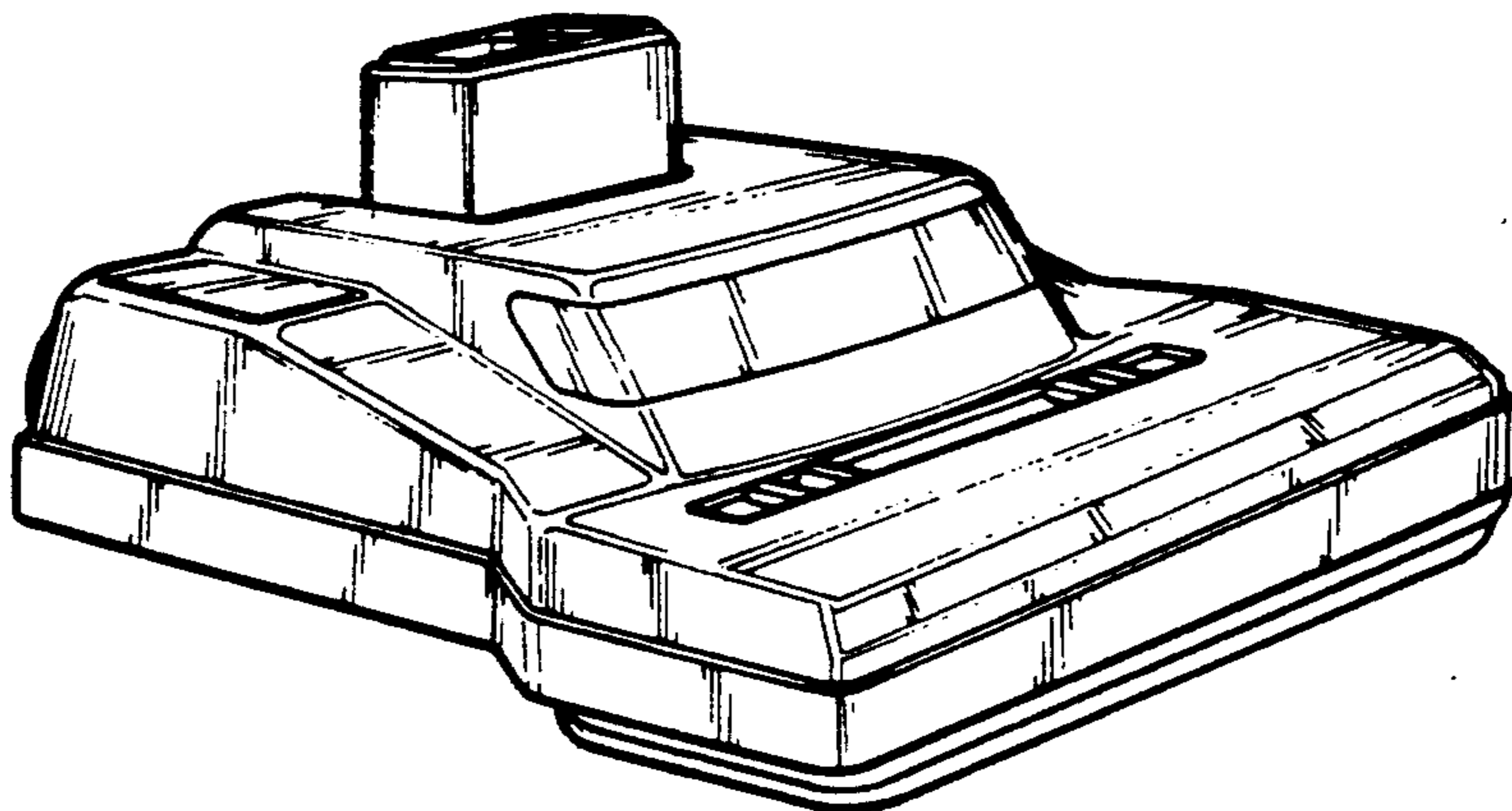
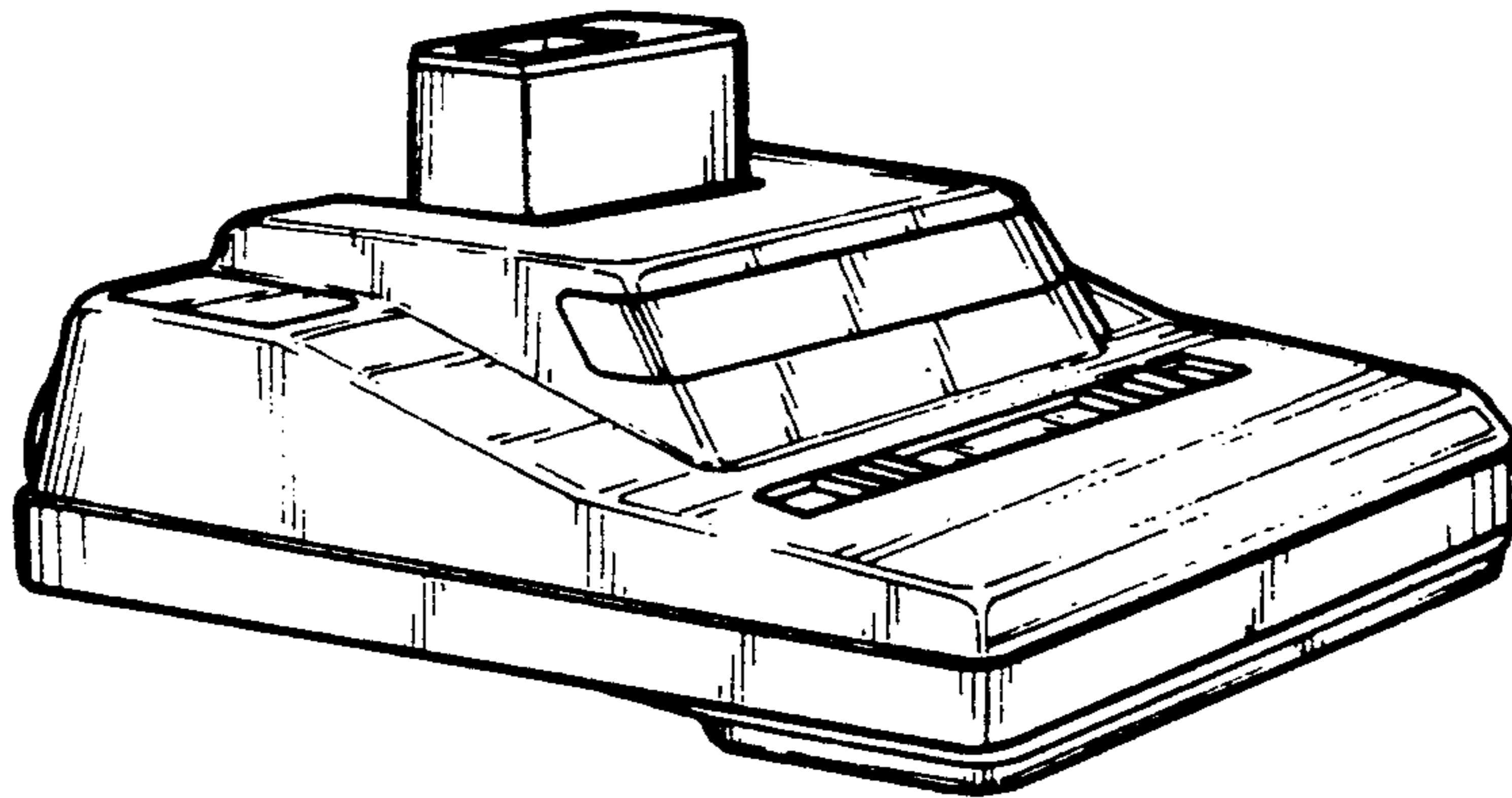


fig-1

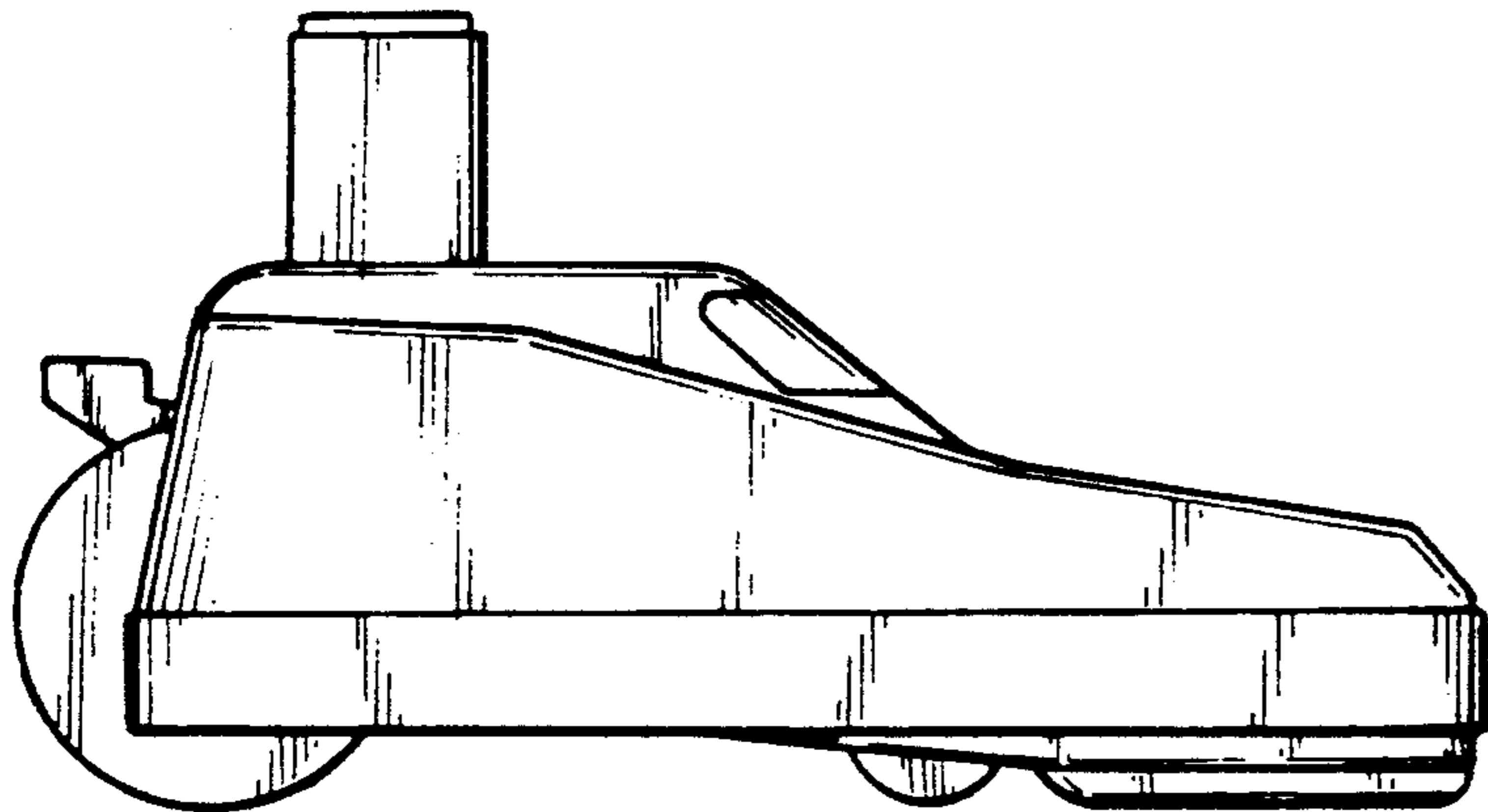
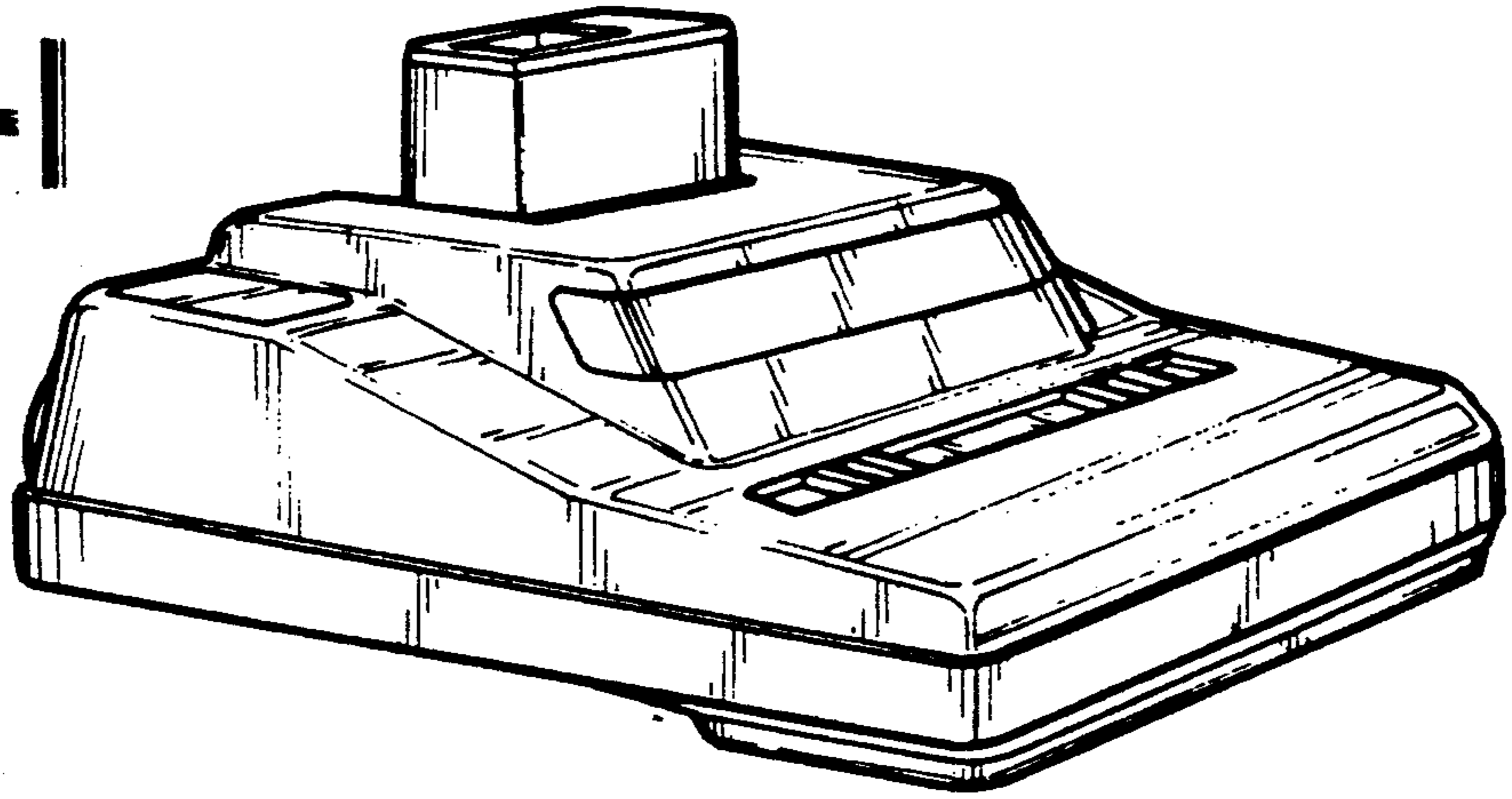
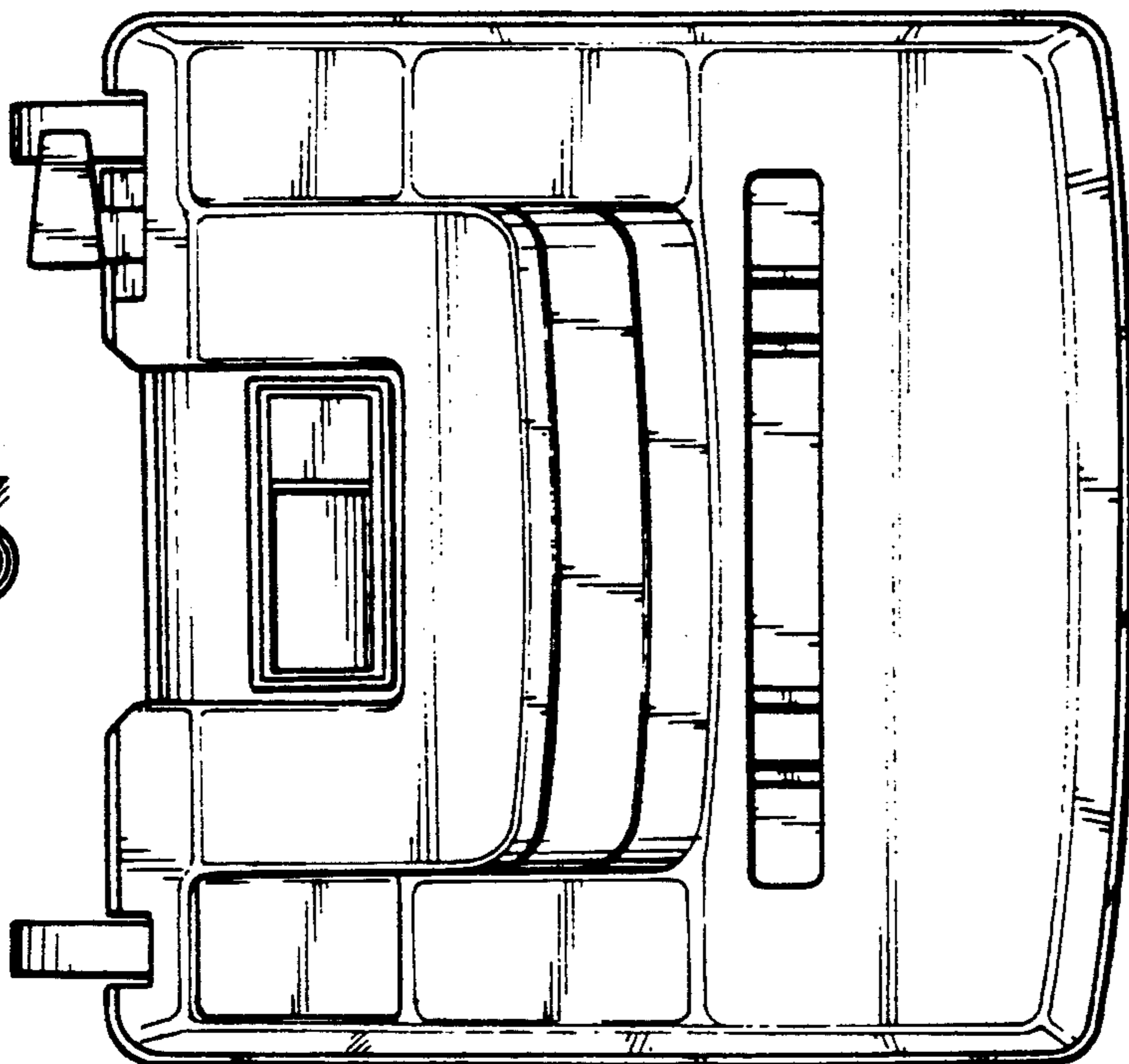


fig-2

fig-3



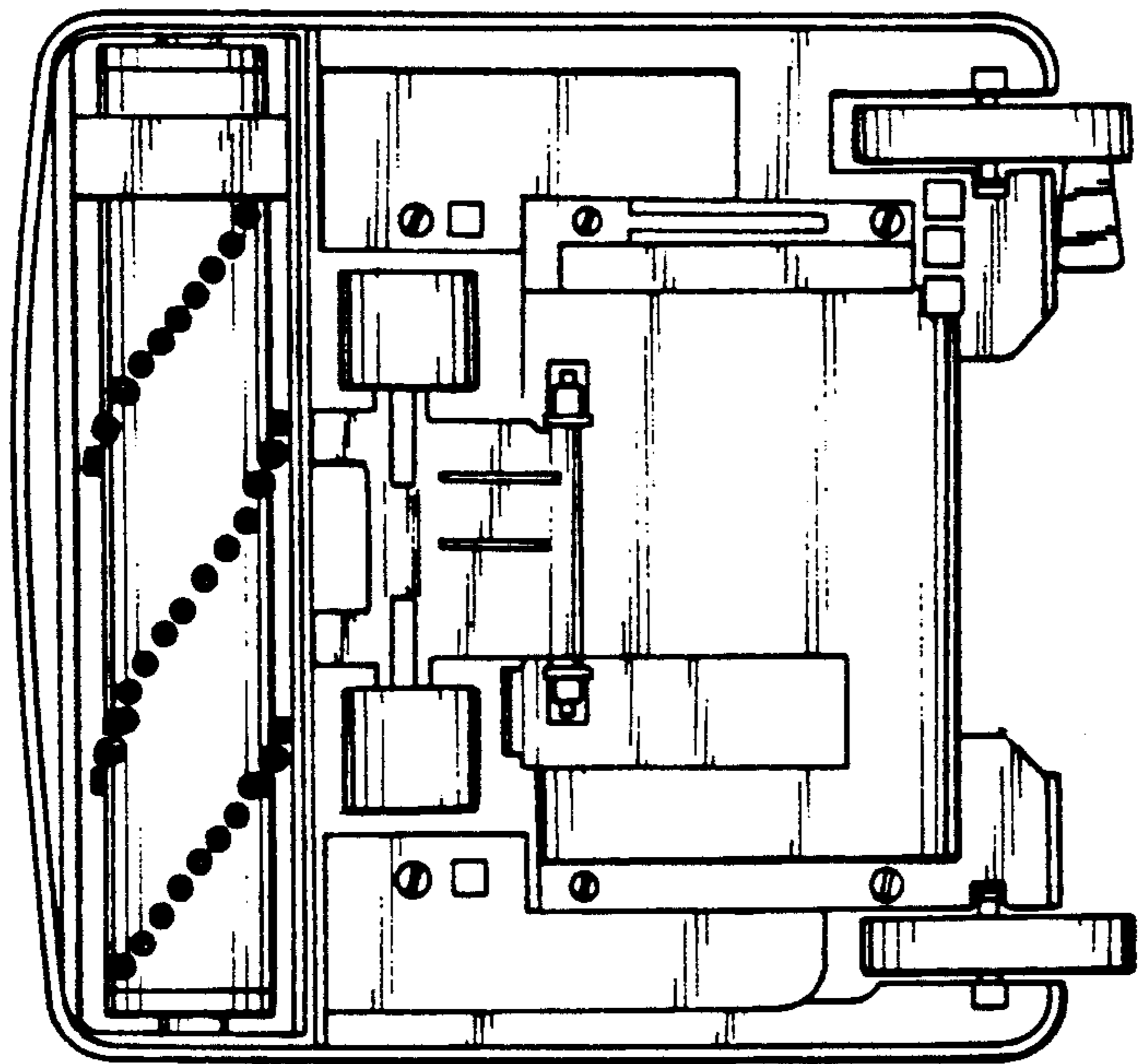


Fig-4

Fig-5

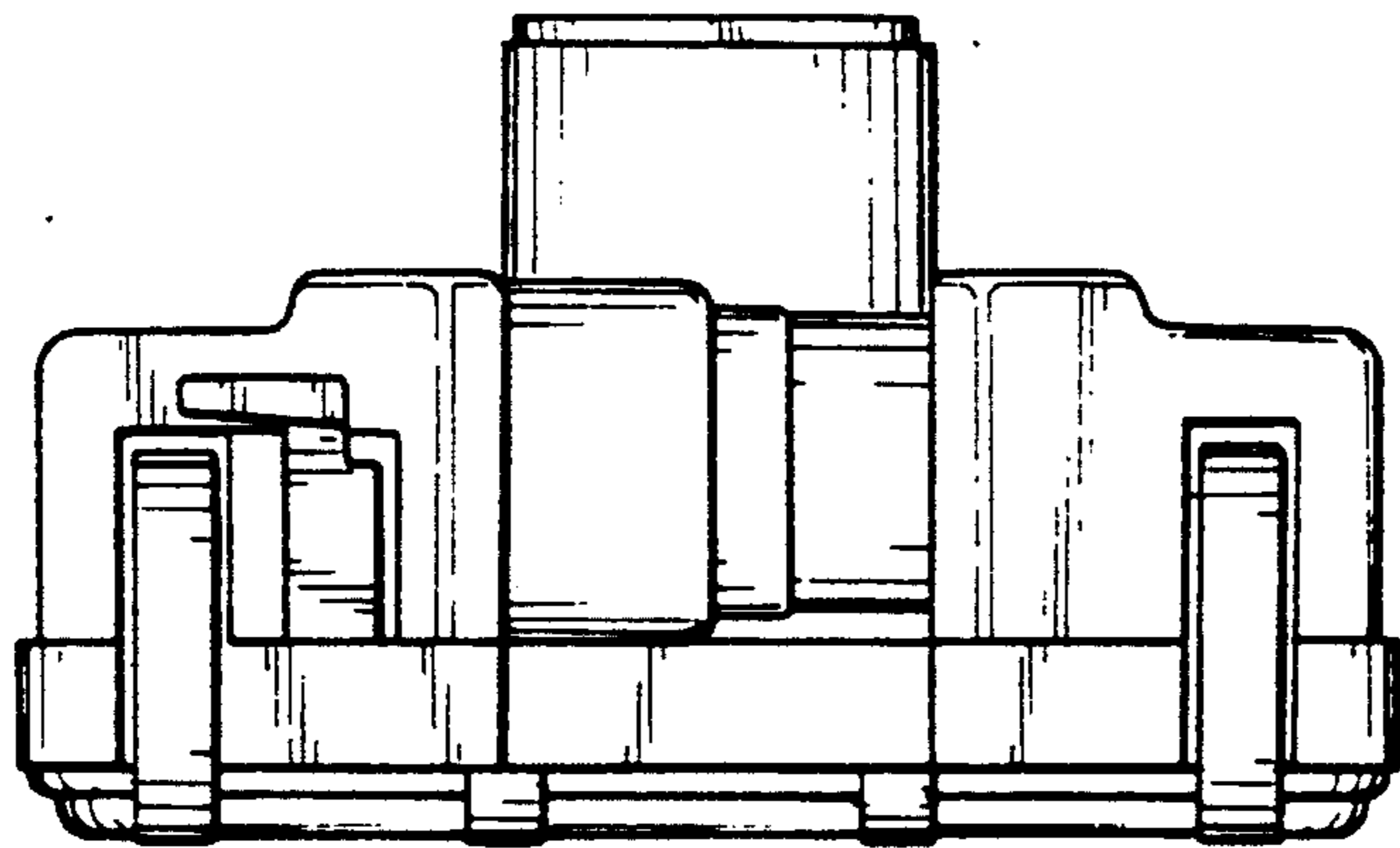
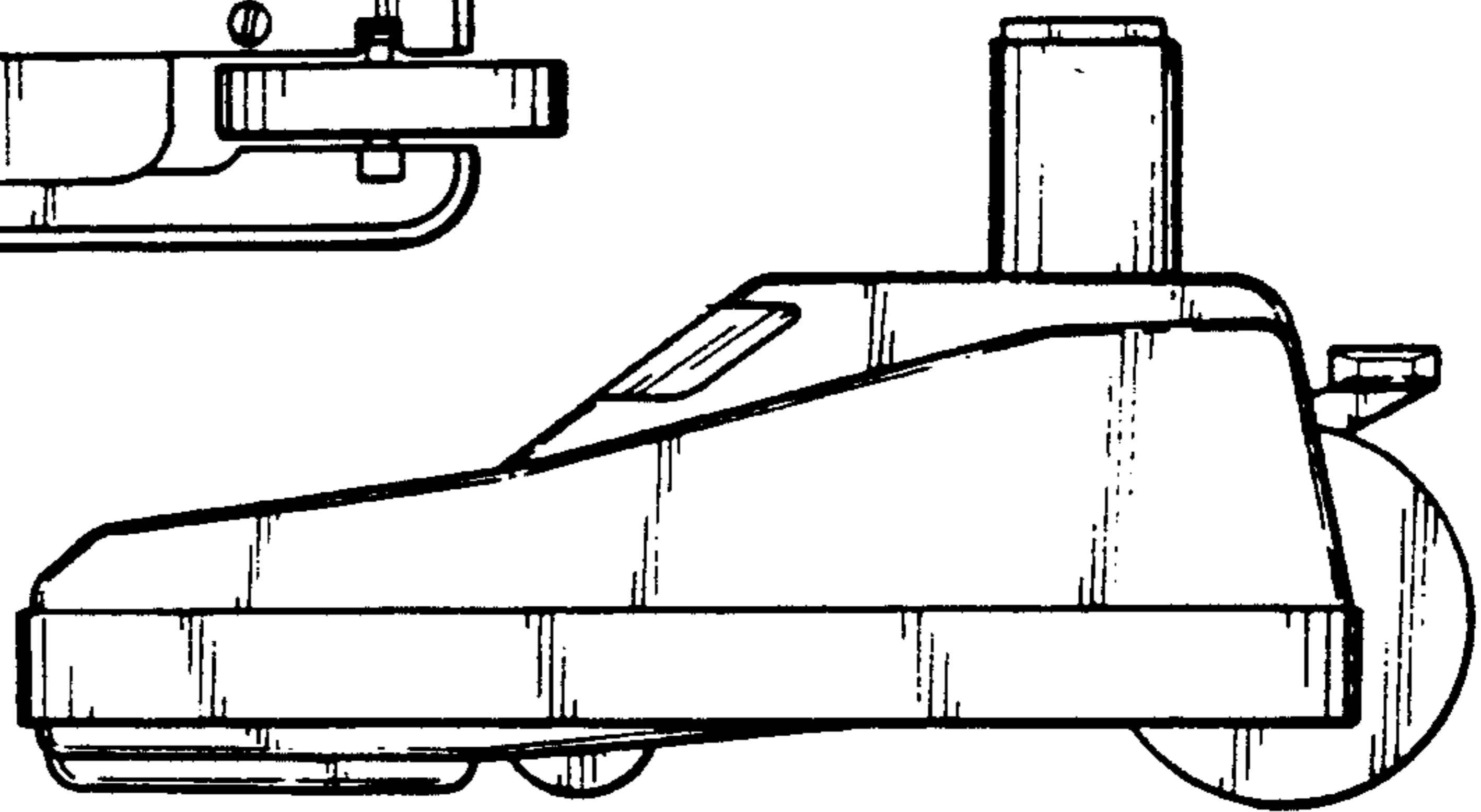


Fig-6

Fig-7

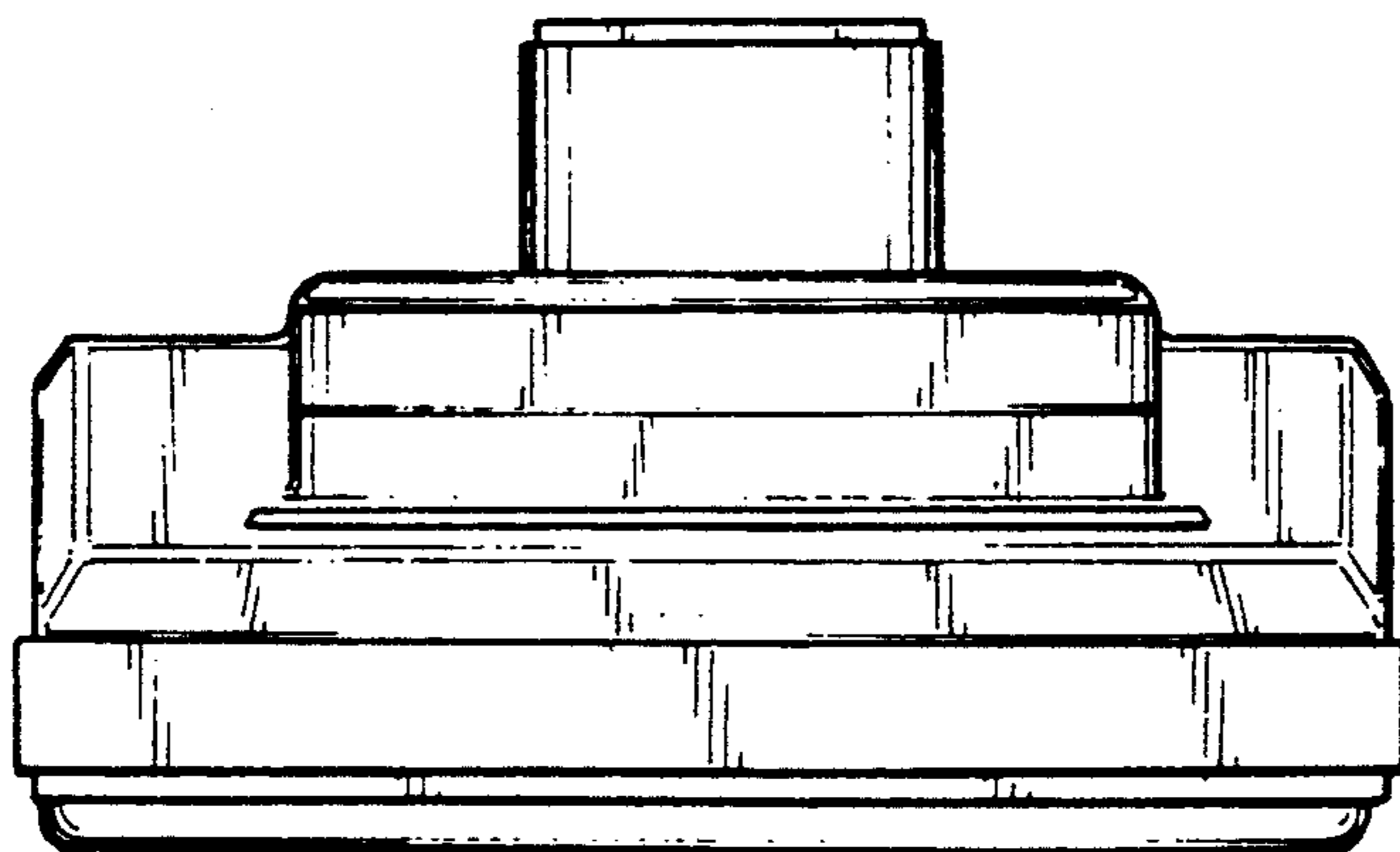


Fig-8

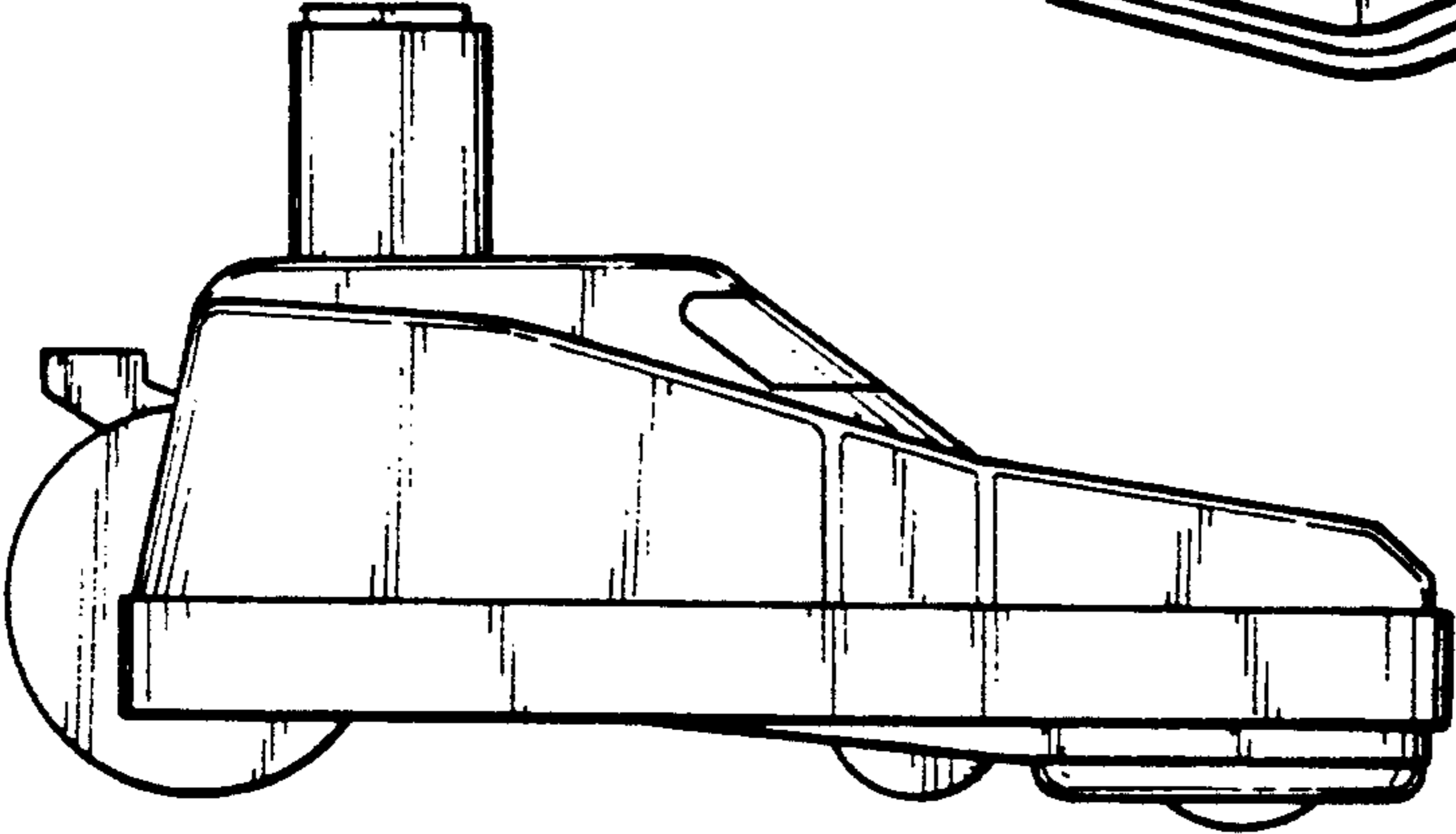
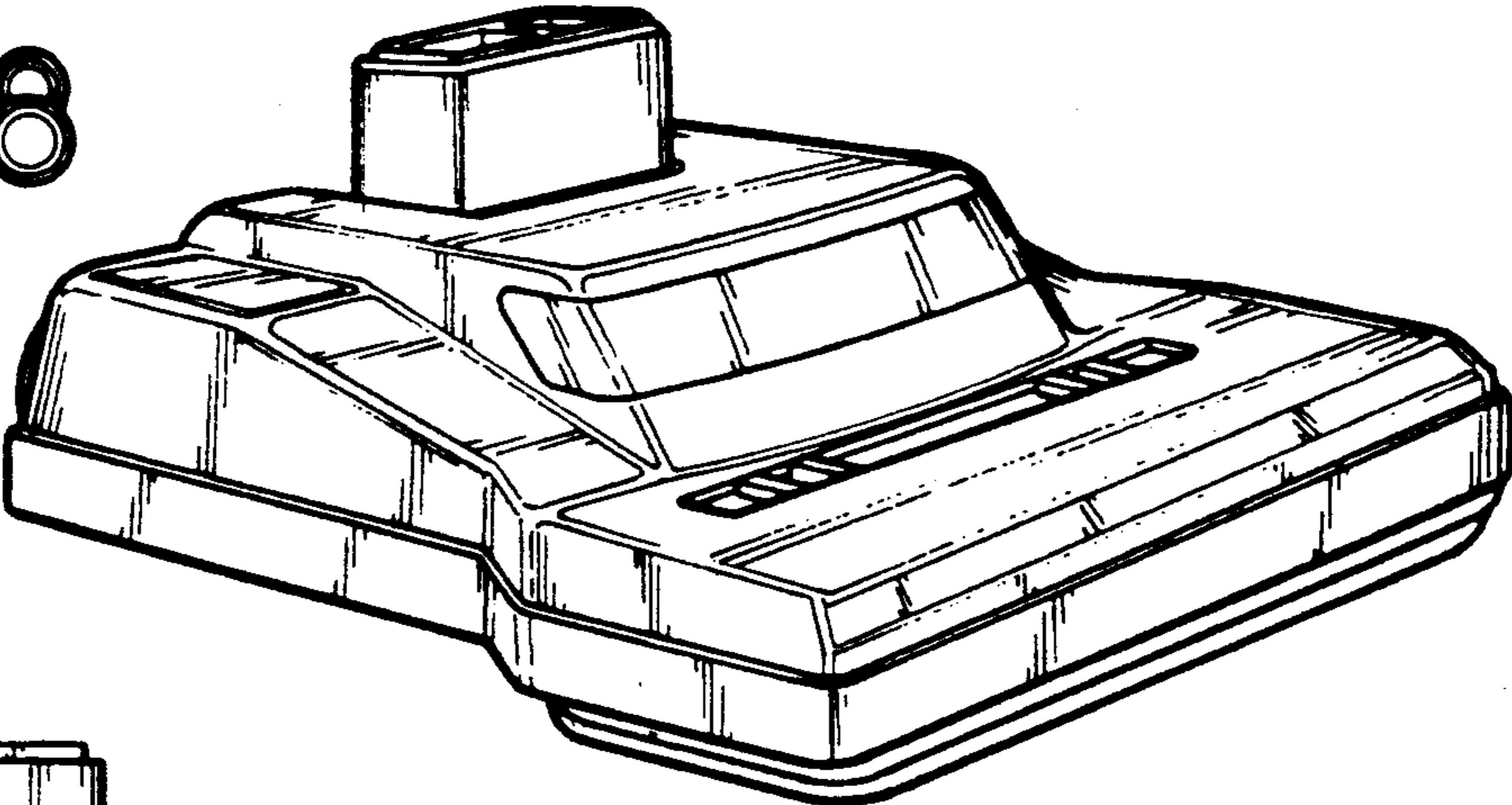
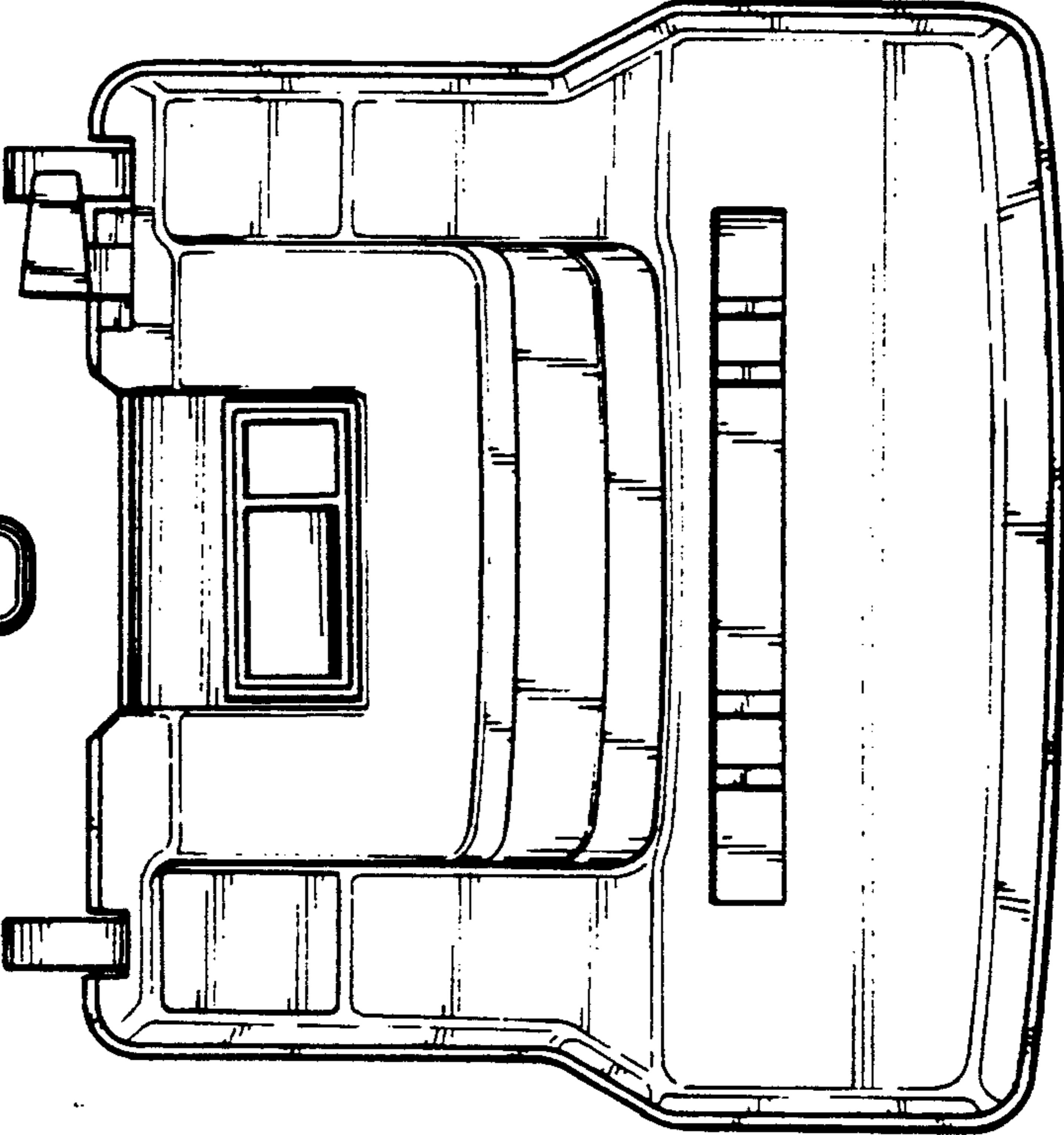


Fig-9

Fig-10



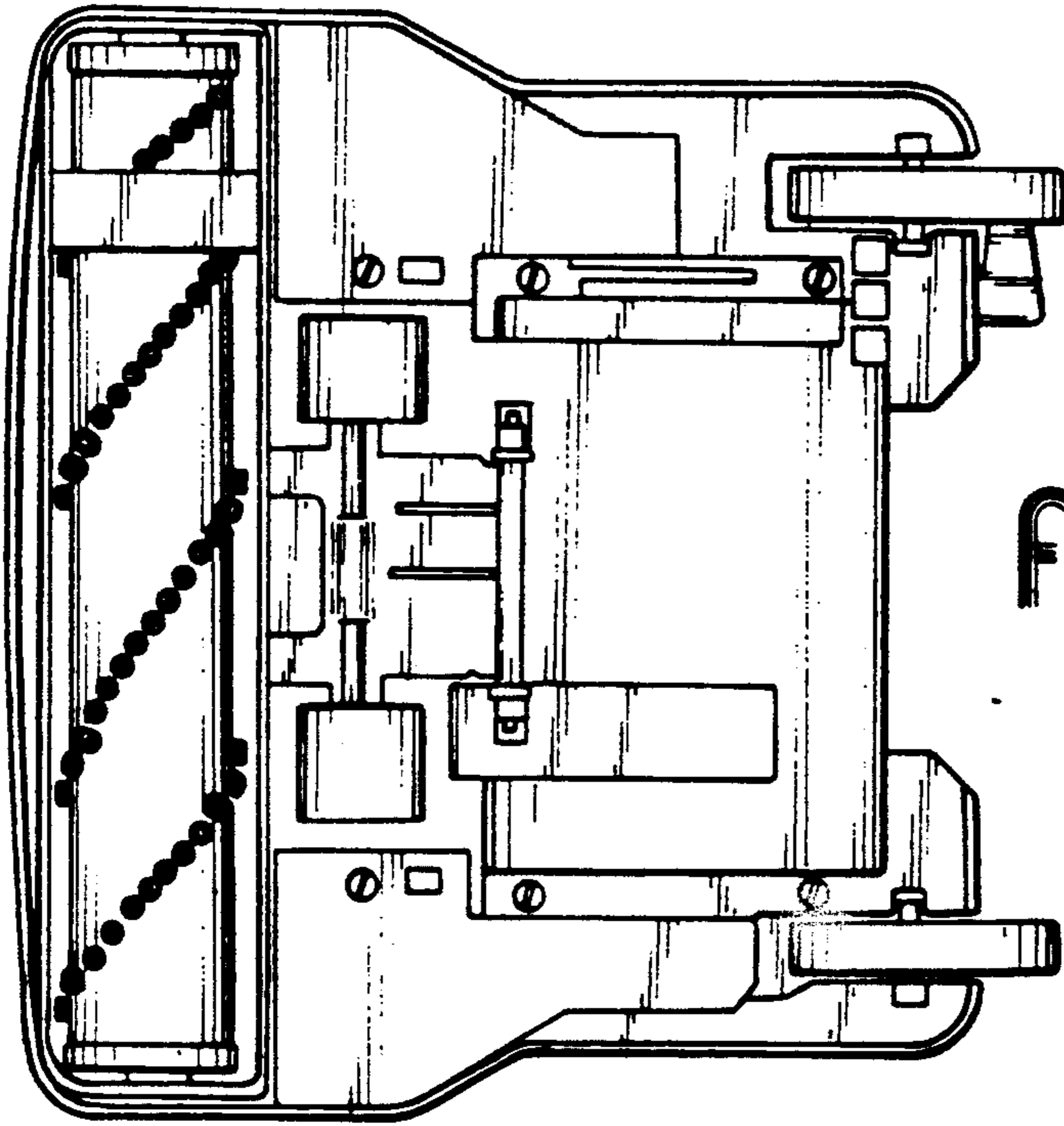


Fig-11

Fig-12

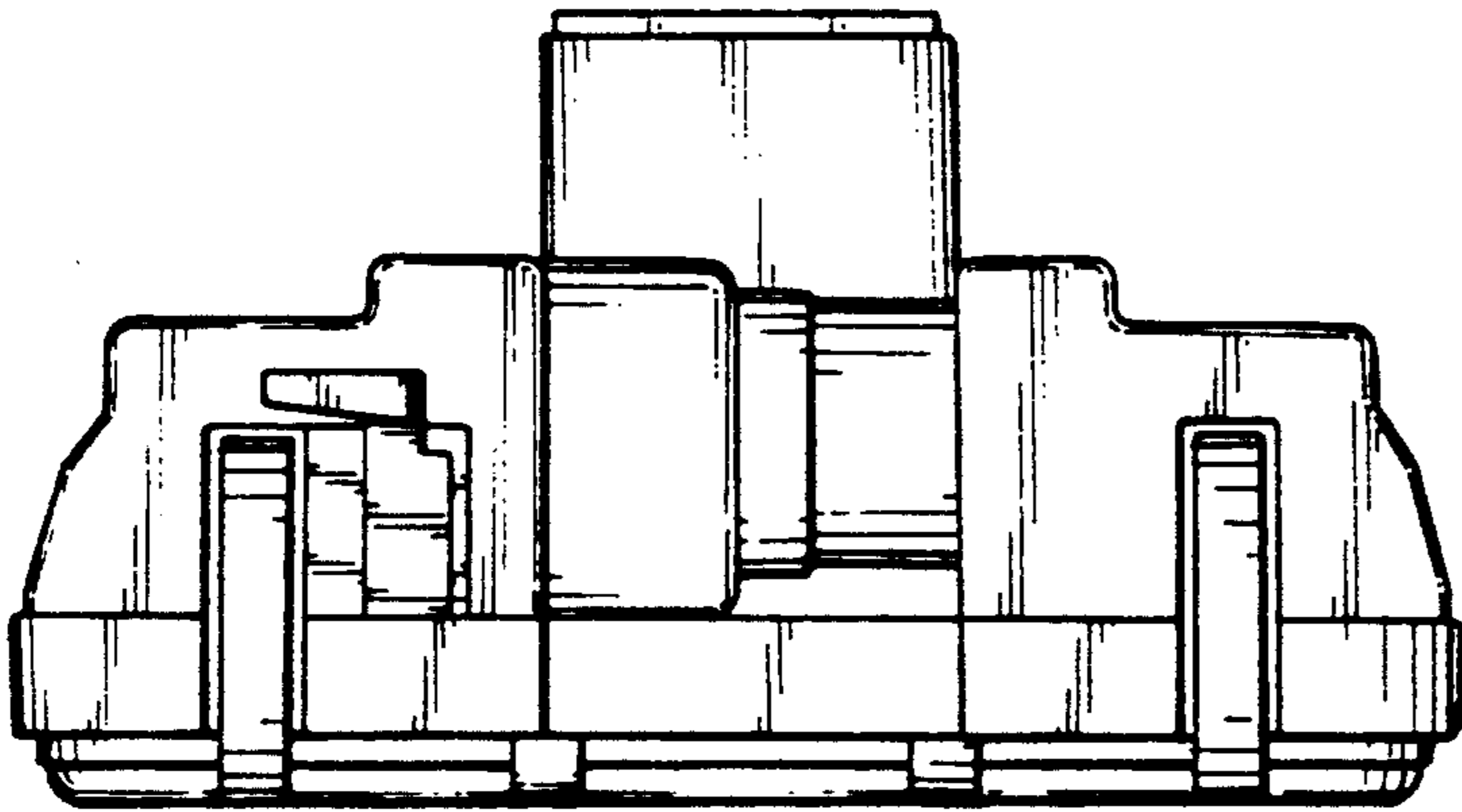
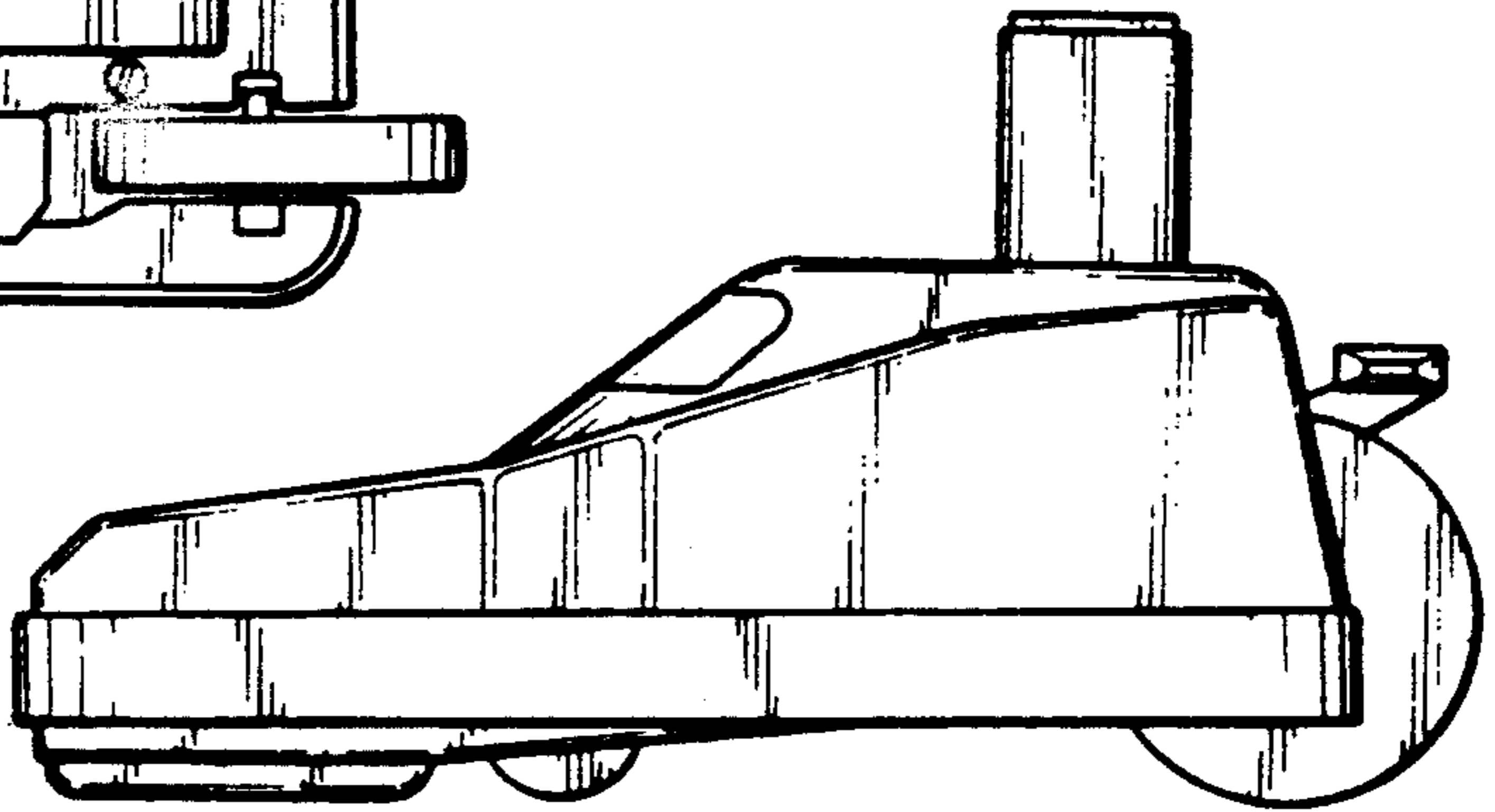


Fig-13

Fig-14

