



US00D343481S

# United States Patent [19] Hampel

[11] Patent Number: **Des. 343,481**

[45] Date of Patent: **\*\* Jan. 18, 1994**

[54] PIG SHELTER

[75] Inventor: **Lance T. Hampel**, Germantown, Wis.

[73] Assignee: **L. T. Hampel Corp.**, Germantown, Wis.

[\*\*] Term: **14 Years**

[21] Appl. No.: **918,490**

[22] Filed: **Jul. 22, 1992**

[52] U.S. Cl. .... **D30/108**

[58] Field of Search ..... 119/16, 19, 20;  
D30/108-109, 118, 161, 113-114

[56] **References Cited**

**U.S. PATENT DOCUMENTS**

D. 240,051	5/1976	Mayfield .....	D30/113
4,287,855	9/1981	Gibson .....	119/20
4,495,892	1/1985	Jodar et al. ....	119/16
5,074,248	12/1991	Loader .....	119/20

**FOREIGN PATENT DOCUMENTS**

0390245 10/1990 European Pat. Off. .... 119/61

*Primary Examiner*—A. Hugo Word  
*Assistant Examiner*—Cathy Anne MacCormac  
*Attorney, Agent, or Firm*—Quarles & Brady

[57] **CLAIM**

The ornamental design for the pig shelter, as shown and described.

**DESCRIPTION**

FIG. 1 is a perspective view showing the new design; FIG. 2 is a top plan view thereof; FIG. 3 is an elevational view of the side with a door showing the door in place; FIG. 4 is an elevational view of the side without a door; FIG. 5 is a front elevational view thereof; FIG. 6 is a back elevational view thereof; and, FIG. 7 is a view similar to FIG. 3 of the side with a door showing the door removed and a portion of the top raised.

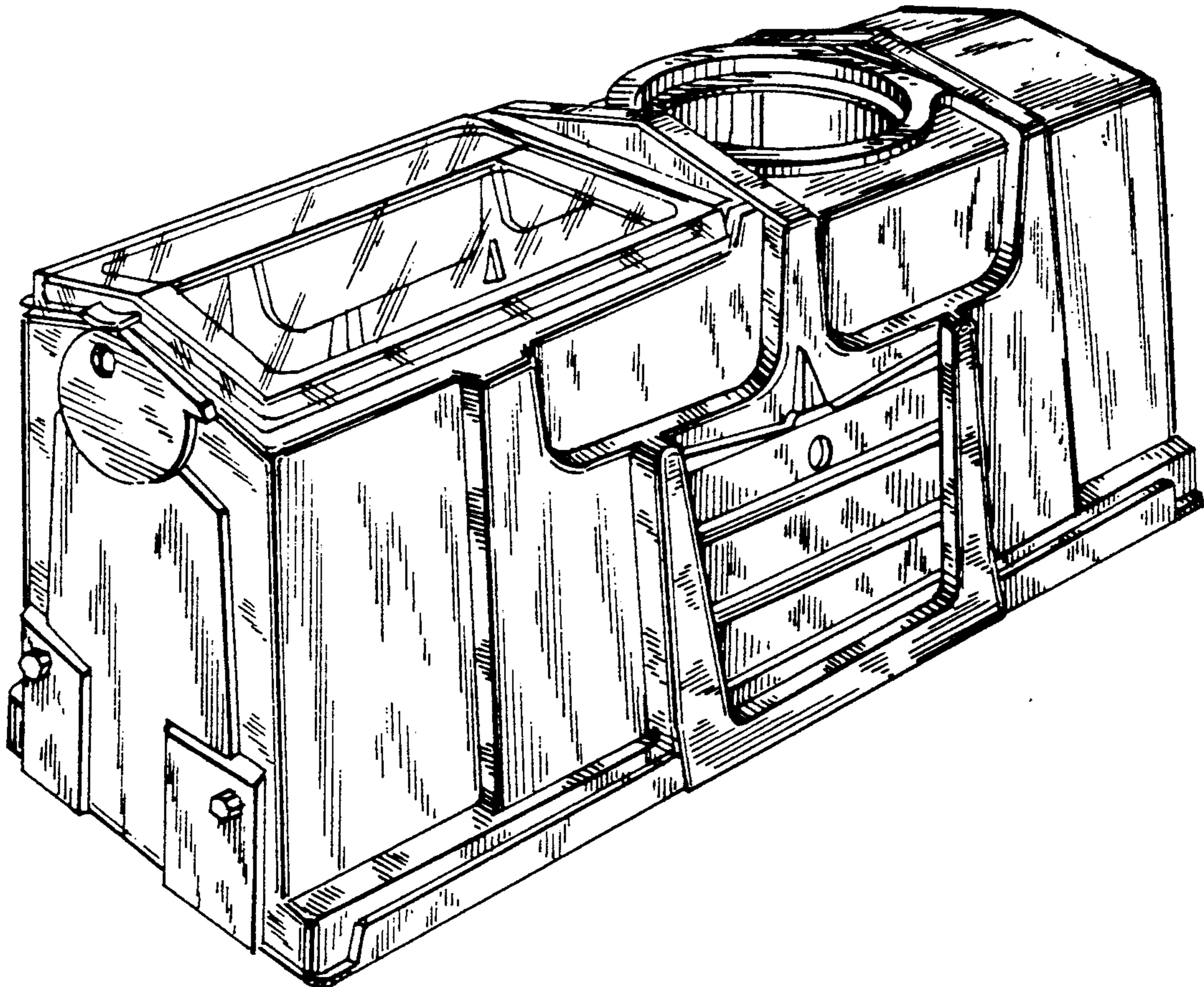




FIG. 1

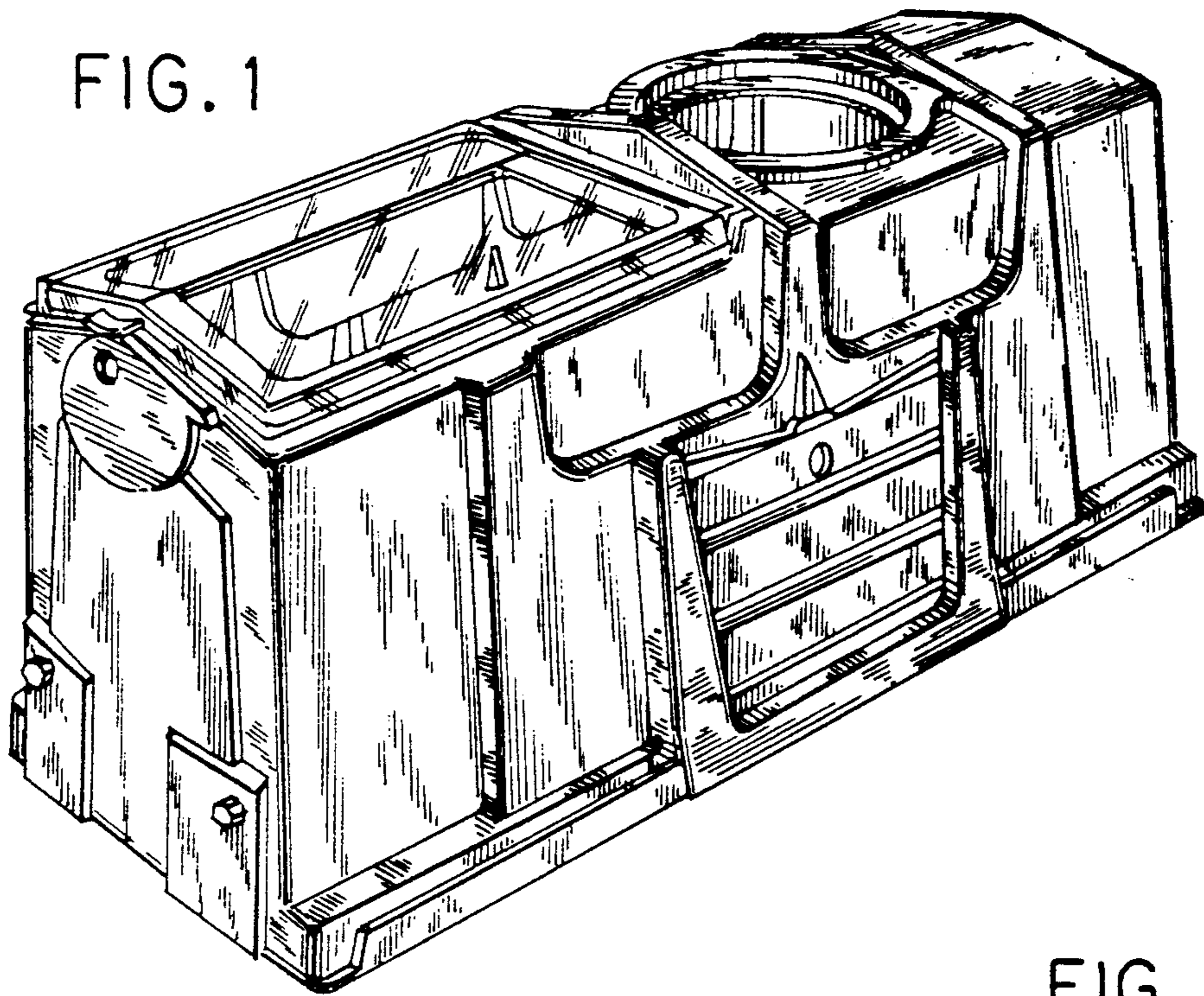


FIG. 2

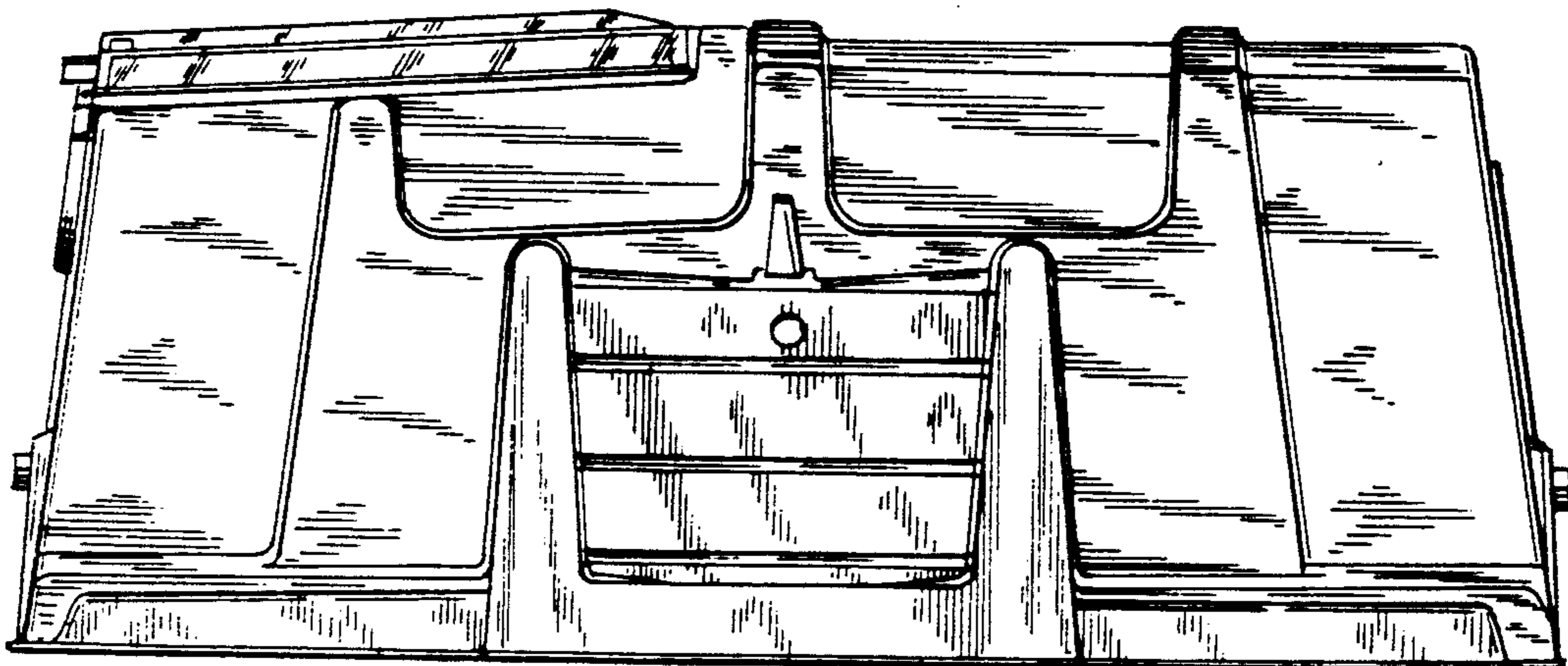
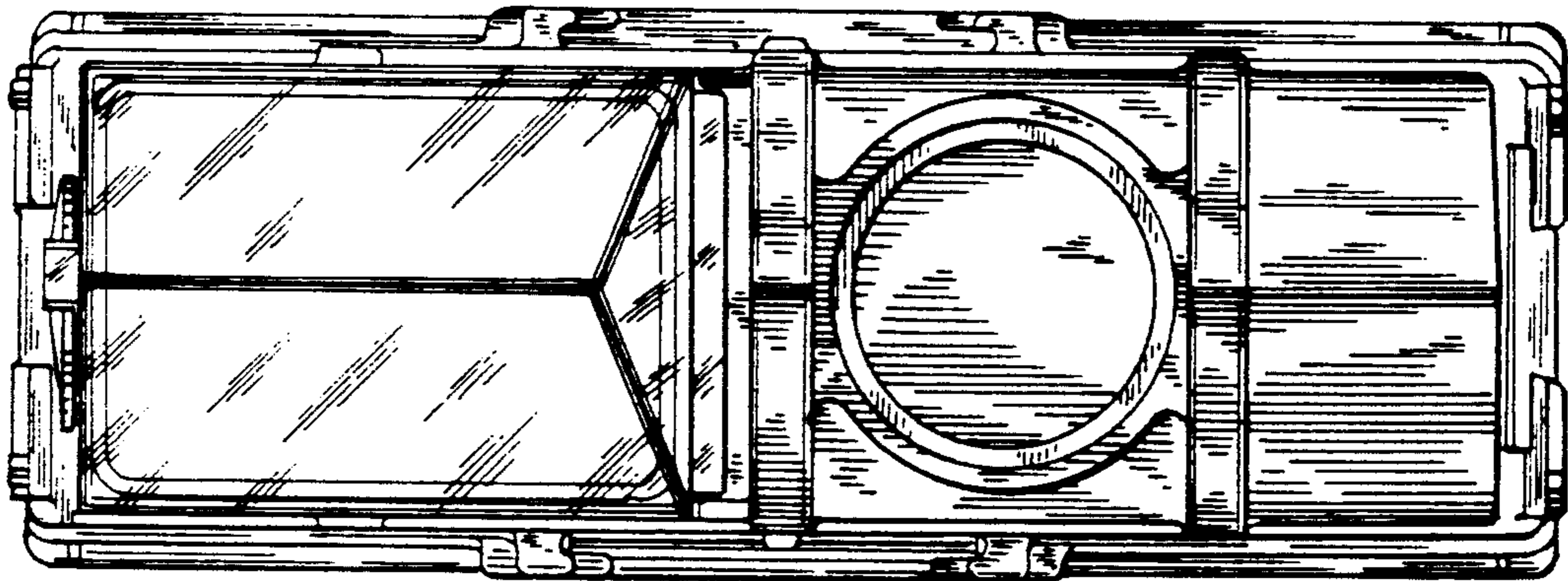


FIG. 3

FIG. 4

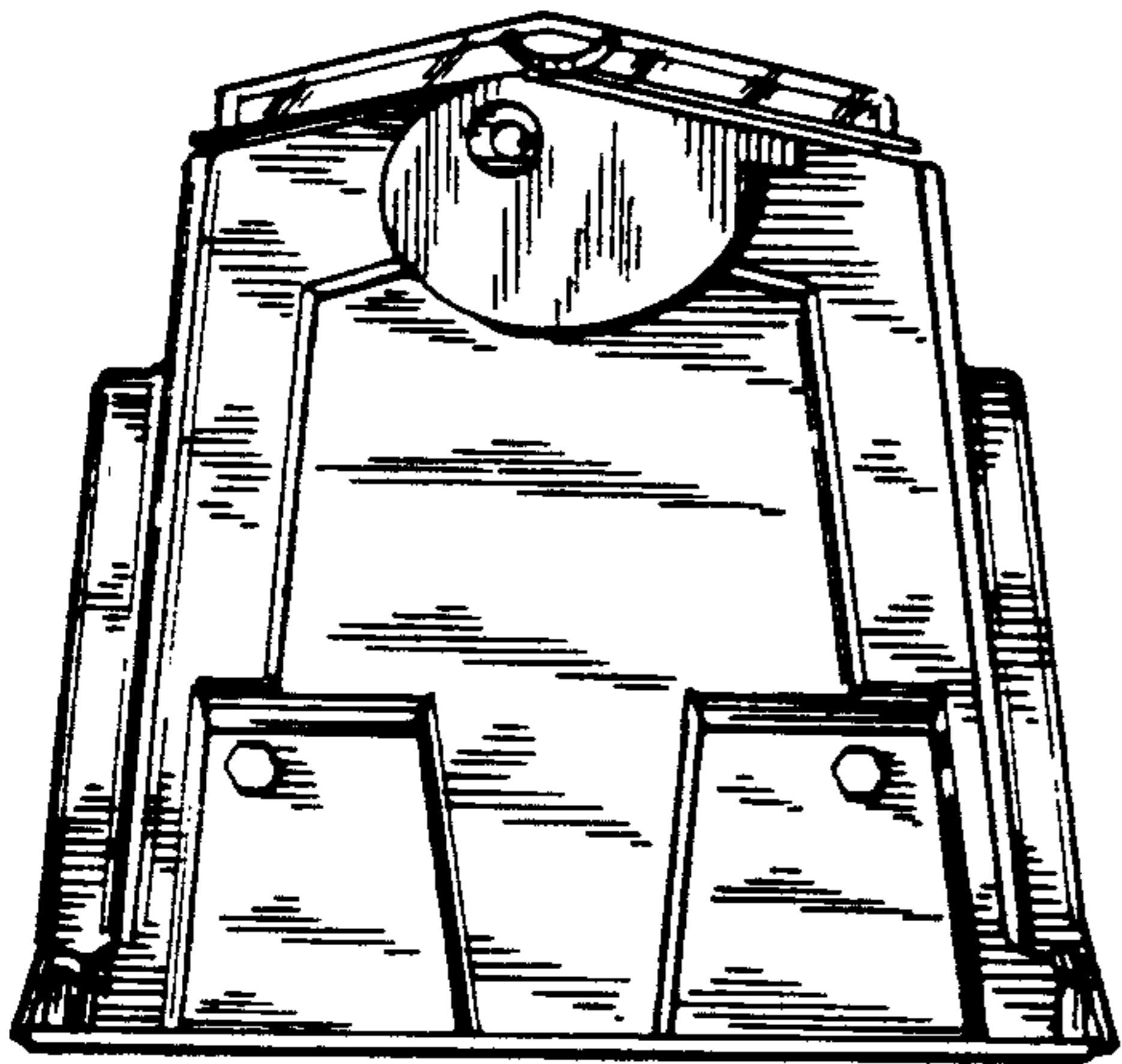
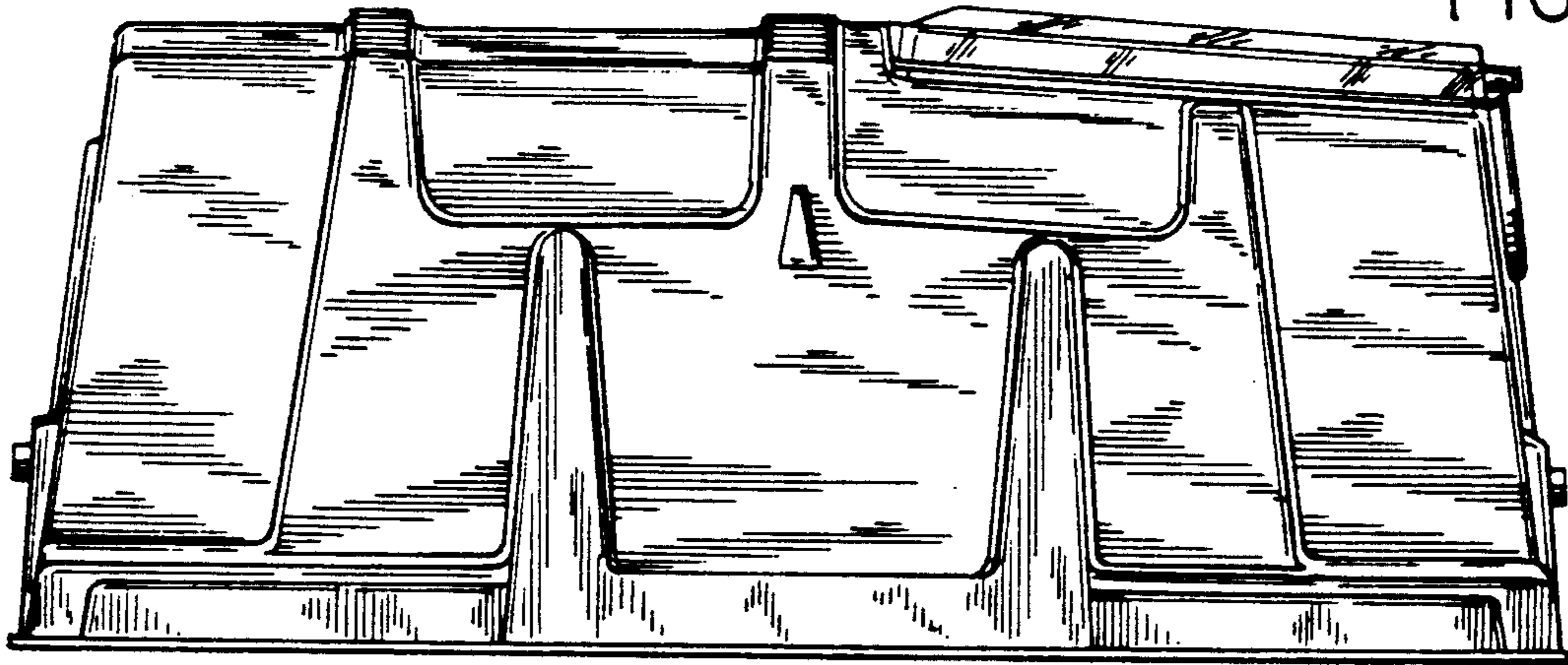


FIG. 5

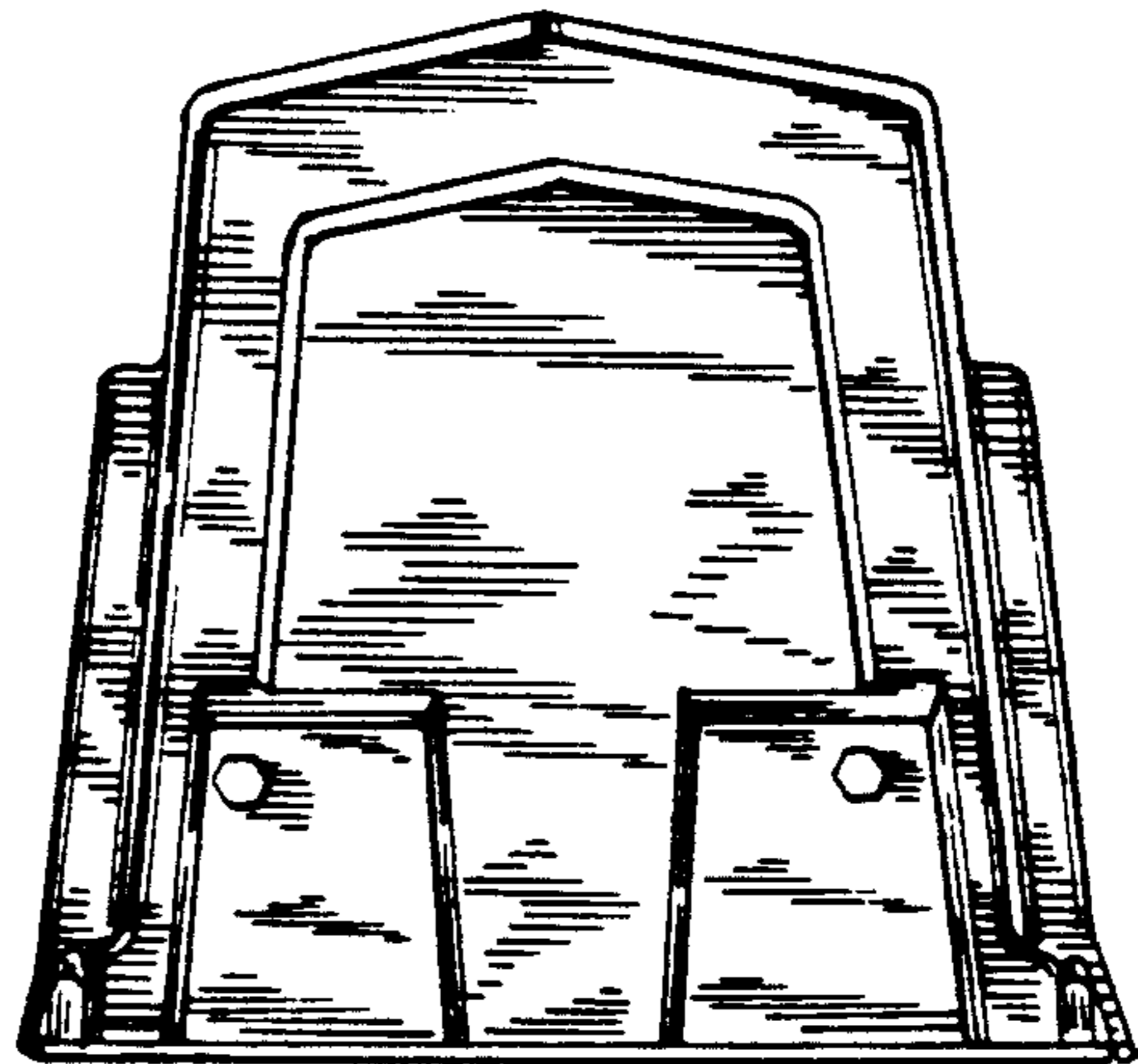


FIG. 6

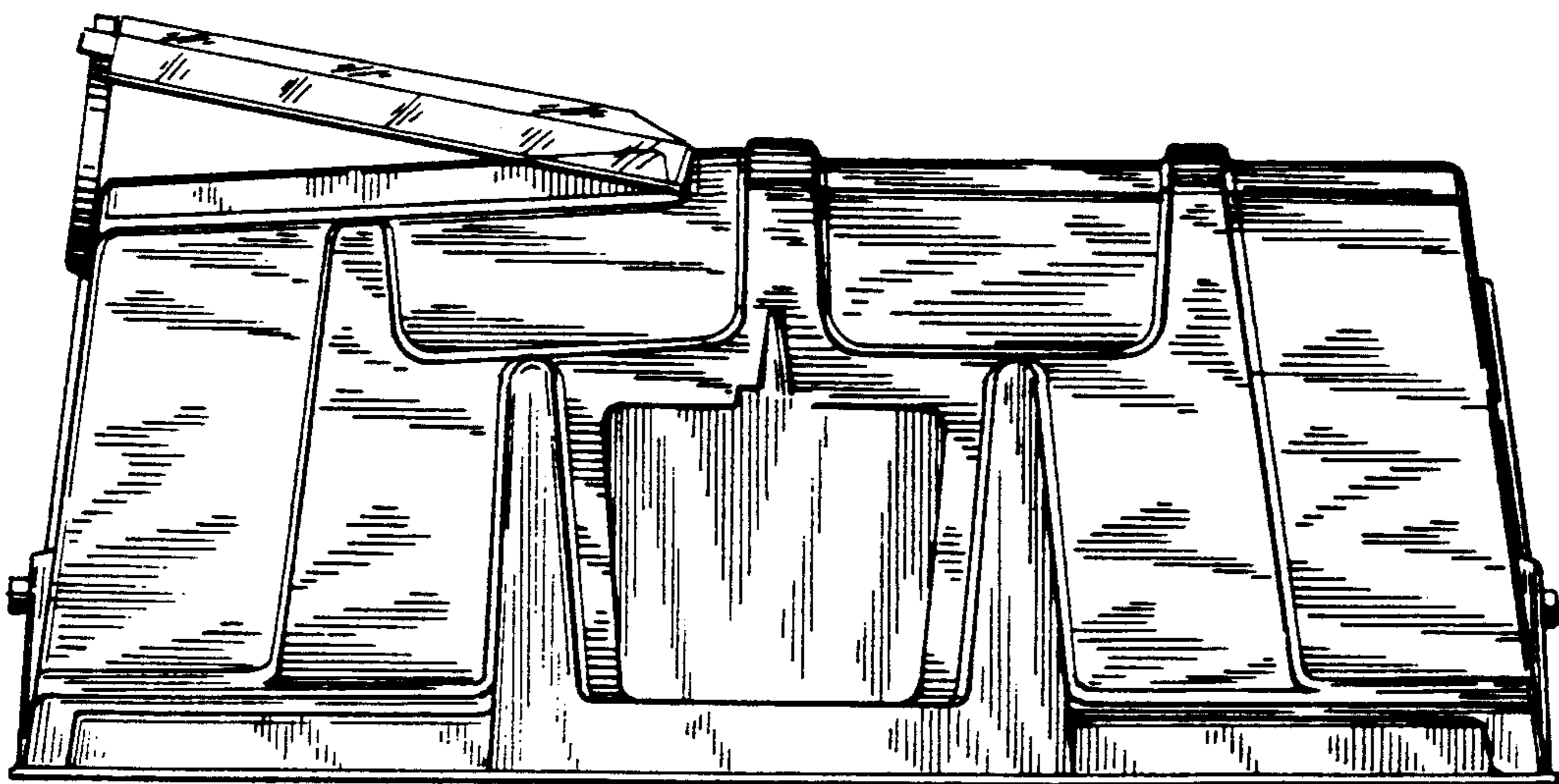


FIG. 7