



US00D343478S

United States Patent [19]

Poulos et al.

[11] Patent Number: Des. 343,478

[45] Date of Patent: ** Jan. 18, 1994

[54] DENTAL FLOSSING TIP

4,338,957 7/1982 Meibauer 132/322

[75] Inventors: Louis Poulos, Mountain View;
Leonard L. Hofheins, concord; Del
M. Thornock, Concord, all of Calif.

Primary Examiner—Wallace R. Burke
Assistant Examiner—M. H. Tung
Attorney, Agent, or Firm—Janet K. Castaneda

[73] Assignee: Advanced Dental Research
Corporation, San Jose, Calif.

[57] CLAIM

The ornamental design for a dental flossing tip, as shown and described.

[**] Term: 14 Years

DESCRIPTION

[21] Appl. No.: 813,218

FIG. 1 is a front elevational view of a dental flossing tip showing the new design of the present invention; FIG. 2 is a right side elevational view thereof; FIG. 3 is a rear elevational view thereof; FIG. 4 is a top plan view thereof; FIG. 5 is a bottom plan view thereof; FIG. 6 is a left side elevational view thereof; FIG. 7 is a front and left side, enlarged perspective view thereof; and, FIG. 8 is a right side, elevational view of another aspect of the present invention having pointed notches and otherwise similar to the aspect, shown in FIGS. 1 through 7.

[22] Filed: Dec. 23, 1991

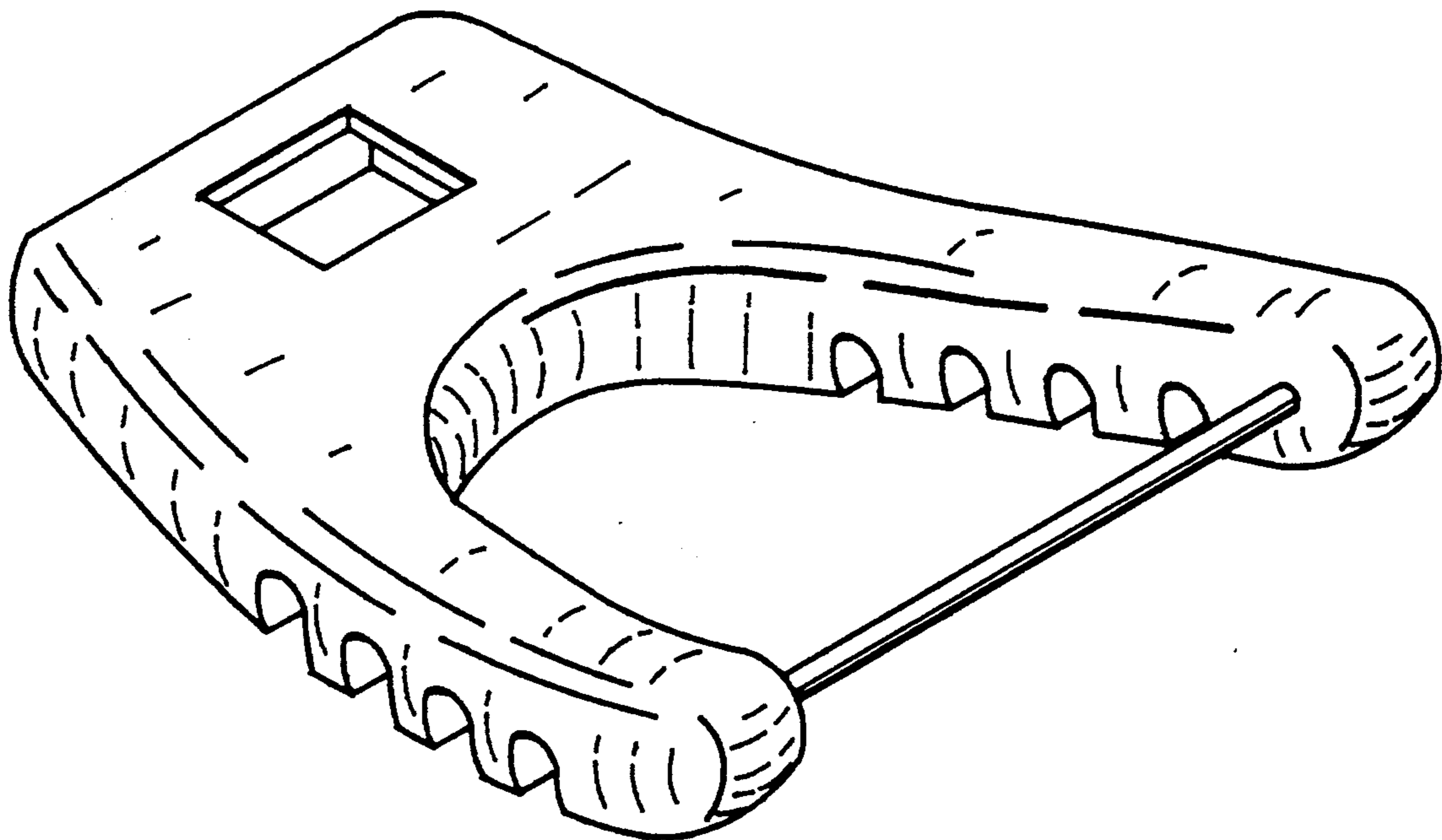
[52] U.S. Cl. D28/64

[58] Field of Search 132/323-329;
D7/300.2; D28/64

[56] References Cited

U.S. PATENT DOCUMENTS

- D. 276,088 10/1984 Fong D28/64
- D. 284,896 7/1986 Chung-Chou D28/64
- D. 309,803 8/1990 Potter D28/64
- D. 316,617 4/1991 Cheung D28/64



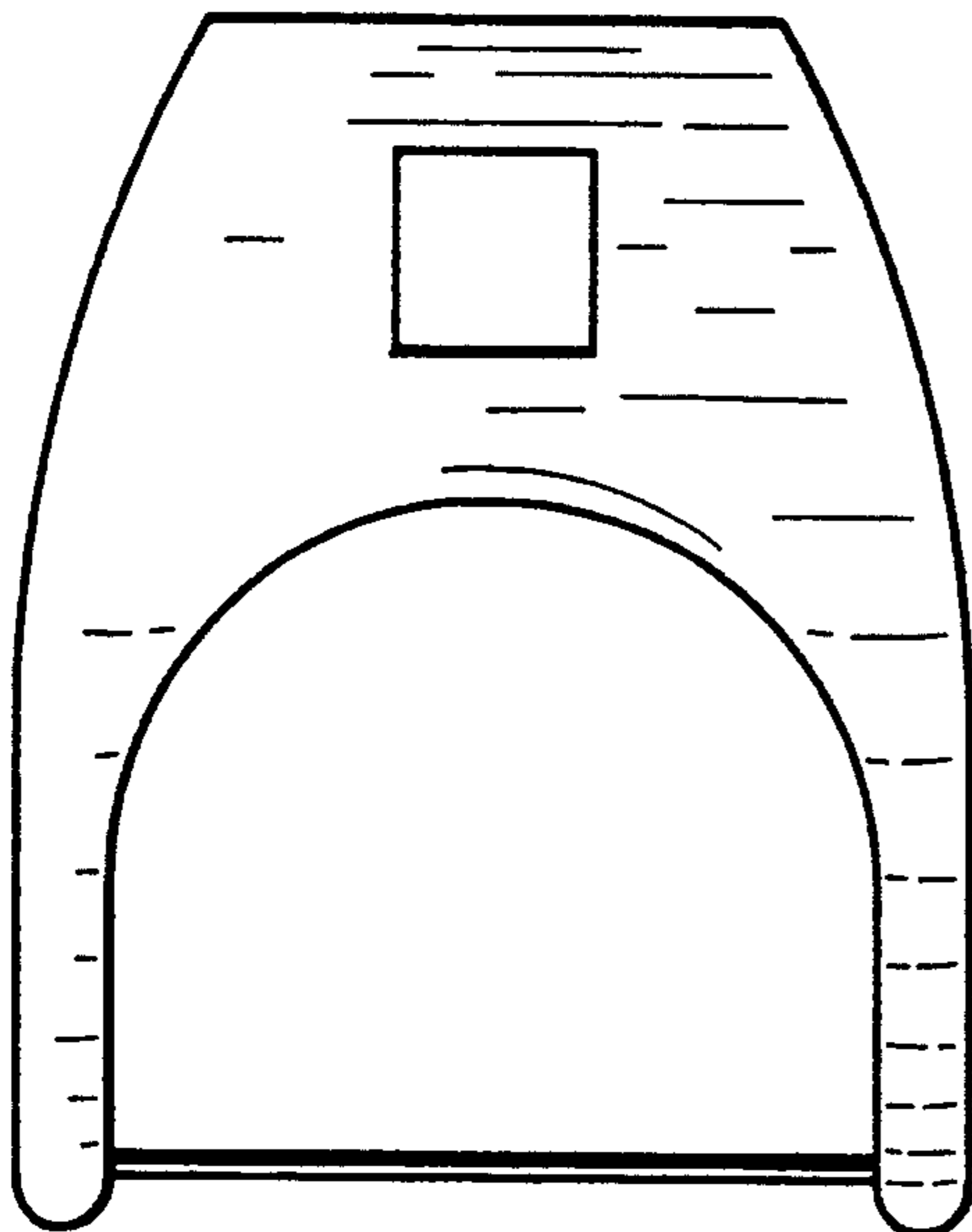


FIG. 4



FIG. 2



FIG. 1

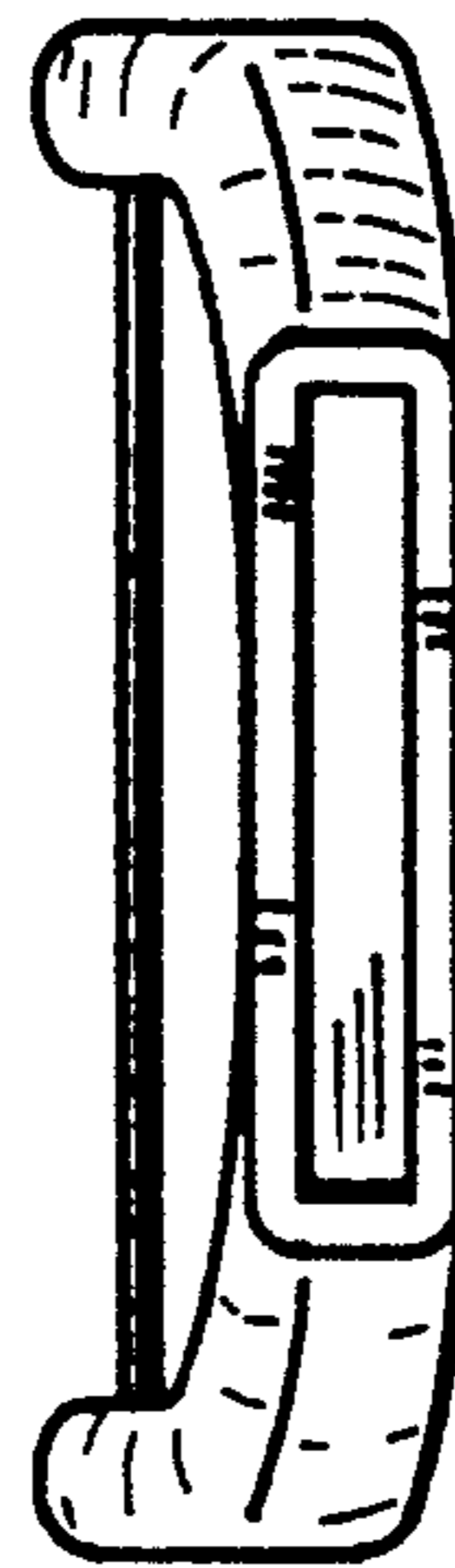


FIG. 3

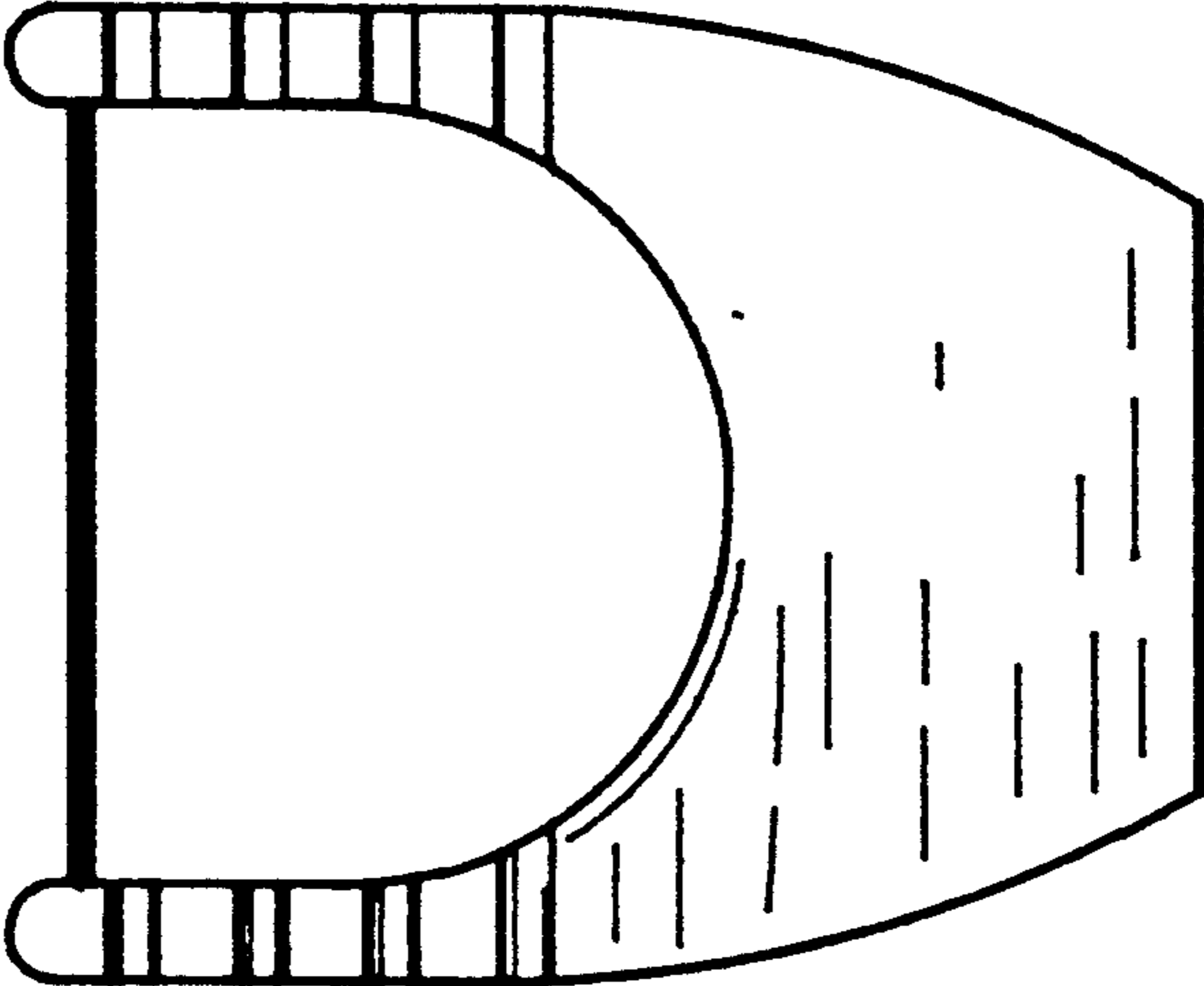


FIG. 5



FIG. 6

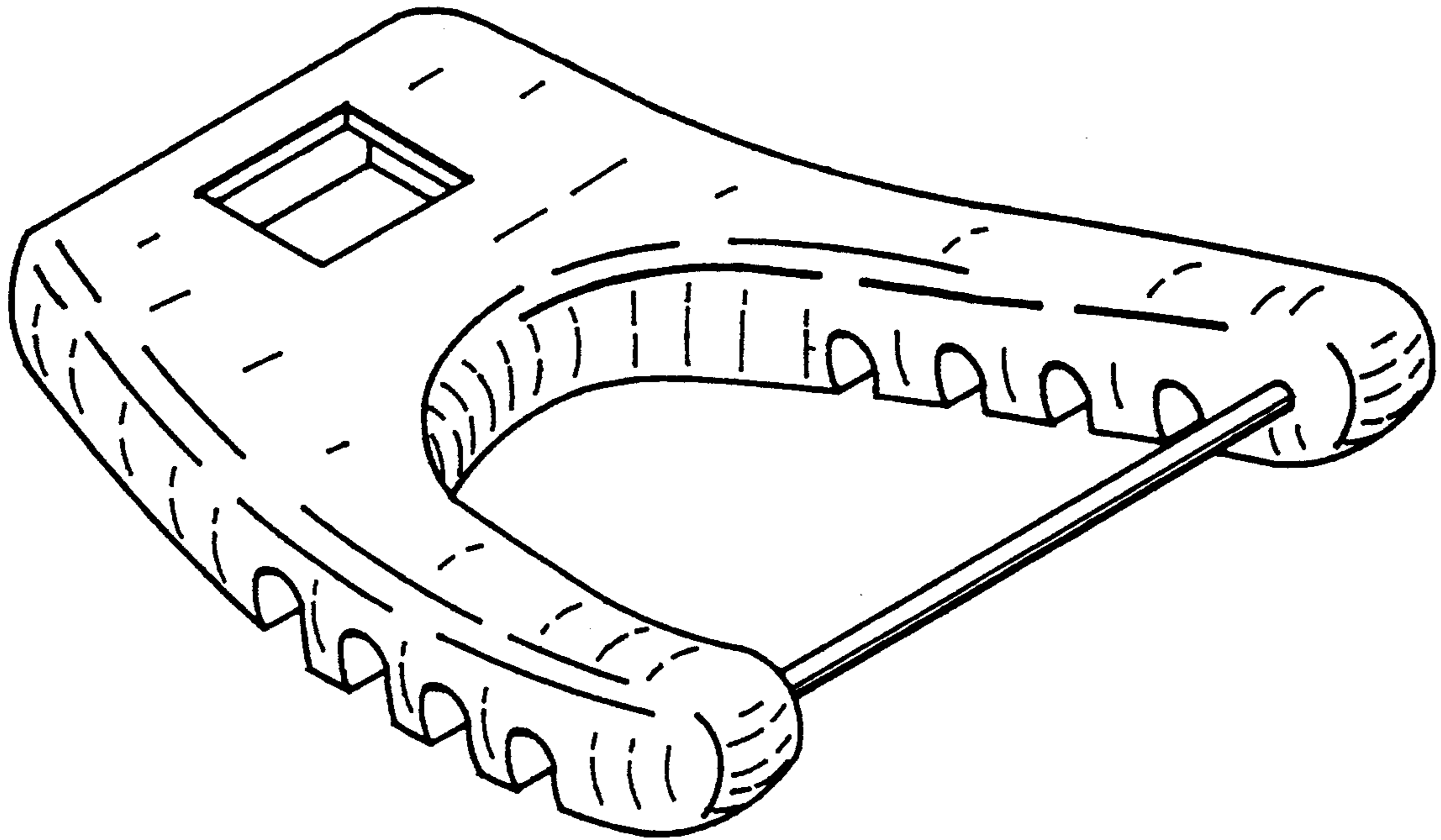


FIG. 7



FIG. 8