



US00D343476S

United States Patent [19] Tomsick

[11] Patent Number: **Des. 343,476**
[45] Date of Patent: **** Jan. 18, 1994**

[54] **BATHTUB FOOT SCRUBBER**
[76] Inventor: **William J. Tomsick, P.O. Box 347307, Parma, Ohio 44134**
[**] Term: **14 Years**
[21] Appl. No.: **895,875**
[22] Filed: **Jun. 9, 1992**

3,192,678 7/1965 Buratti 15/244.1 X
4,003,372 1/1977 Willoby 15/110 X
4,520,525 6/1985 Yogi et al. 15/104.92
4,617,917 10/1986 Miller 128/62 R

FOREIGN PATENT DOCUMENTS

525499 5/1956 Belgium 15/244.1

Primary Examiner—Wallace R. Burke
Assistant Examiner—Lavone D. Tabor
Attorney, Agent, or Firm—Richard C. Litman

Related U.S. Application Data

[63] Continuation-in-part of Ser. No. 543,065, Jun. 25, 1990, Pat. No. Des. 326,931.
[52] U.S. Cl. **D28/63; D4/137**
[58] Field of Search **D4/137, 199; 15/104.92, 15/208, 209.1, 244.1, 244.4, 105, 110; 4/604-606; 128/62 R, 65; D28/63; D32/40, 42; D24/213, 215**

[57] CLAIM

The ornamental design for a bathtub foot scrubber, as shown and described.

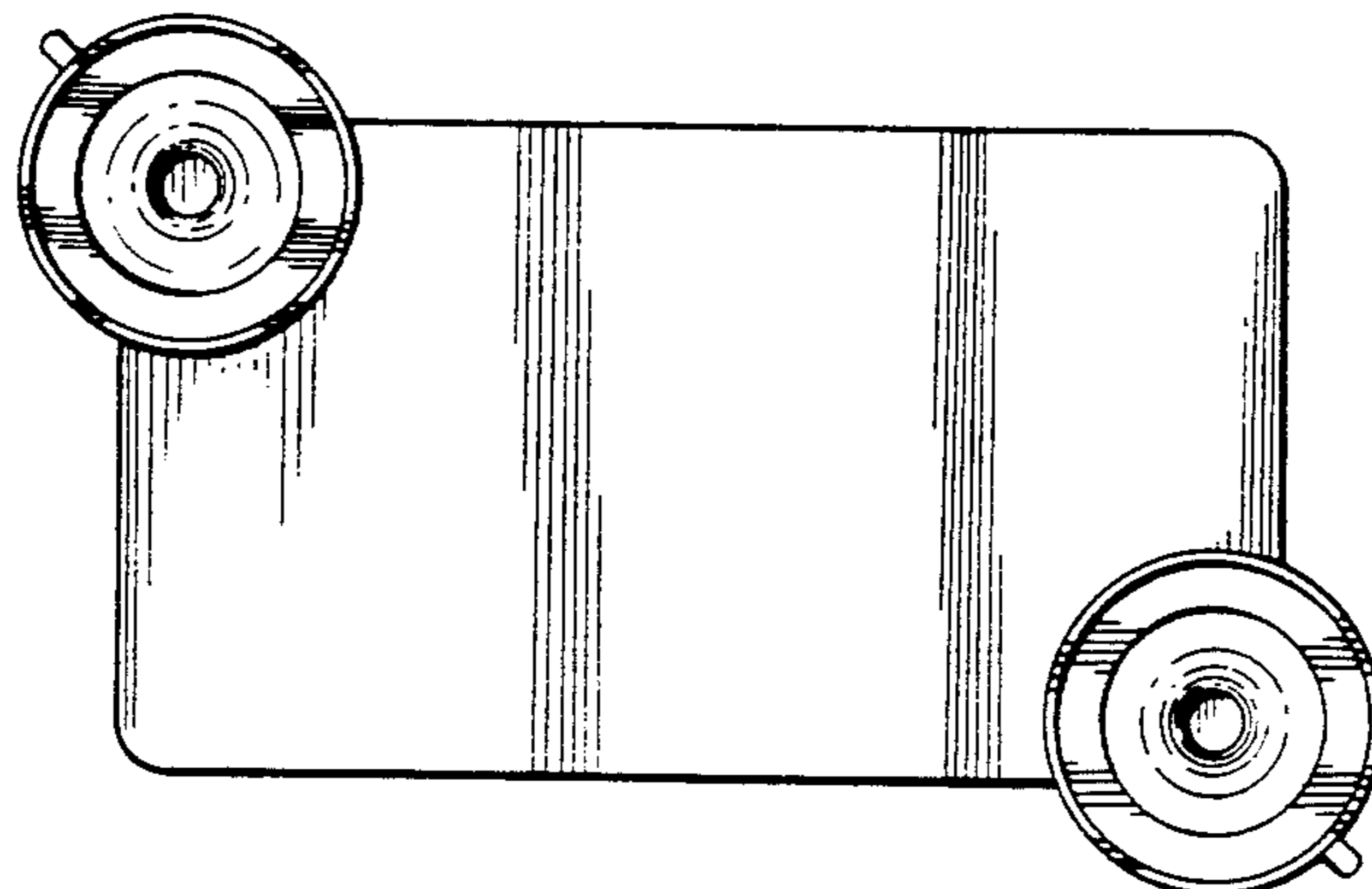
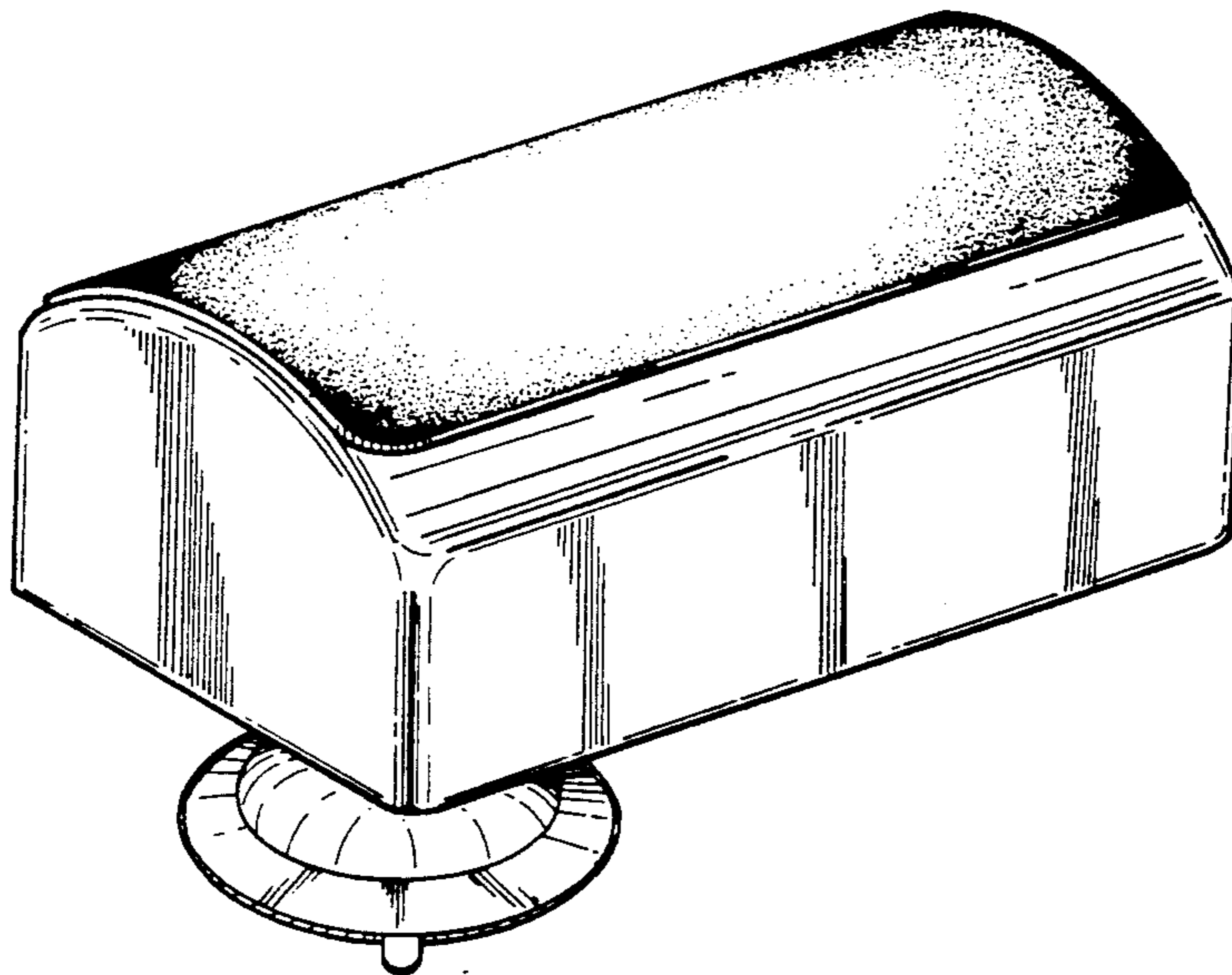
DESCRIPTION

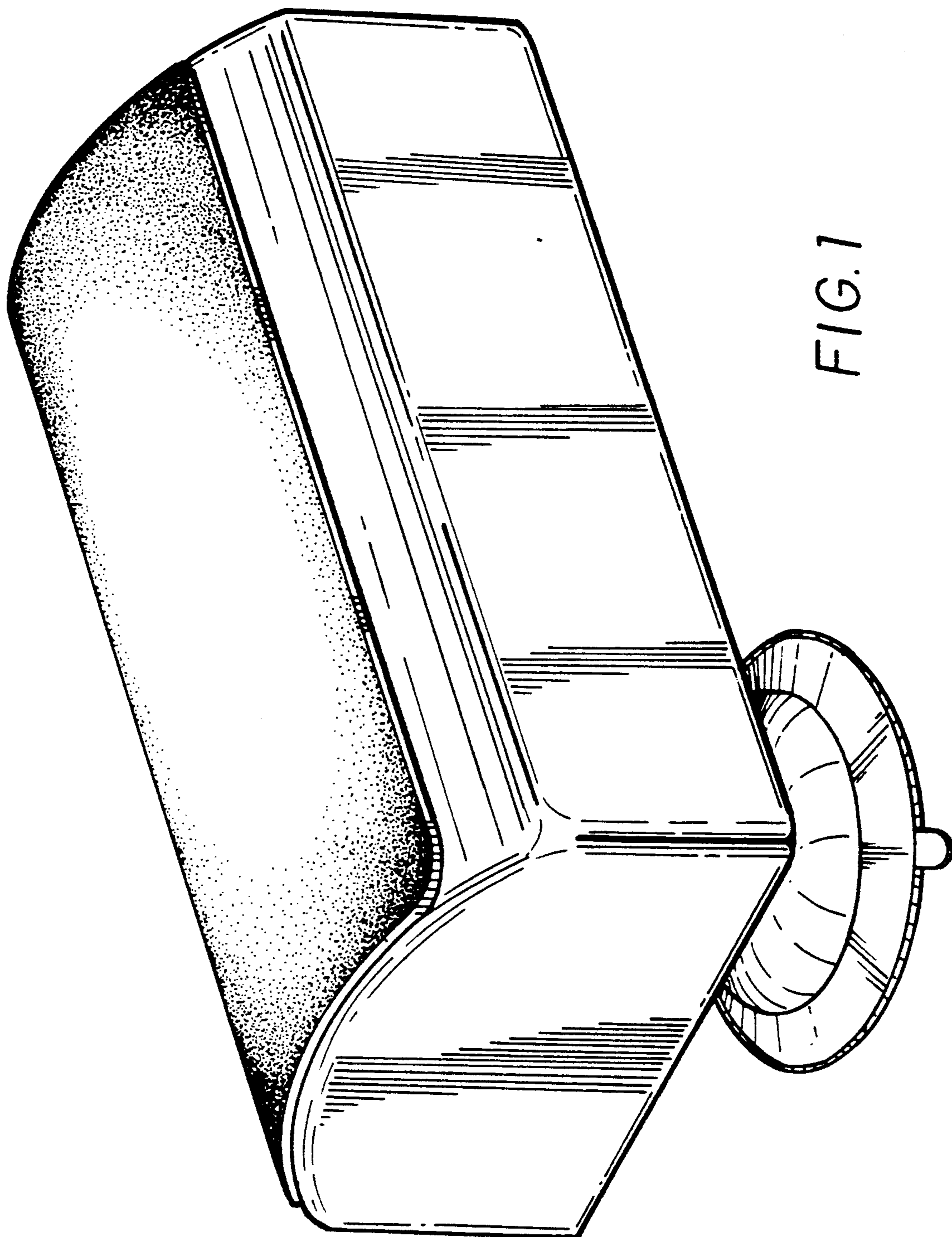
FIG. 1 is a top, front and side perspective view of a bathtub foot scrubber showing my new design;
FIG. 2 is a top view thereof;
FIG. 3 is a bottom view thereof;
FIG. 4 is a front elevational view thereof, the rear being a mirror image; and,
FIG. 5 is a side elevational view thereof, the opposite side being a mirror image.

[56] References Cited

U.S. PATENT DOCUMENTS

D. 199,714 12/1964 Kellogg D24/213
934,613 9/1909 Holm et al. 15/105 X
2,910,714 11/1959 Becker 15/244.1





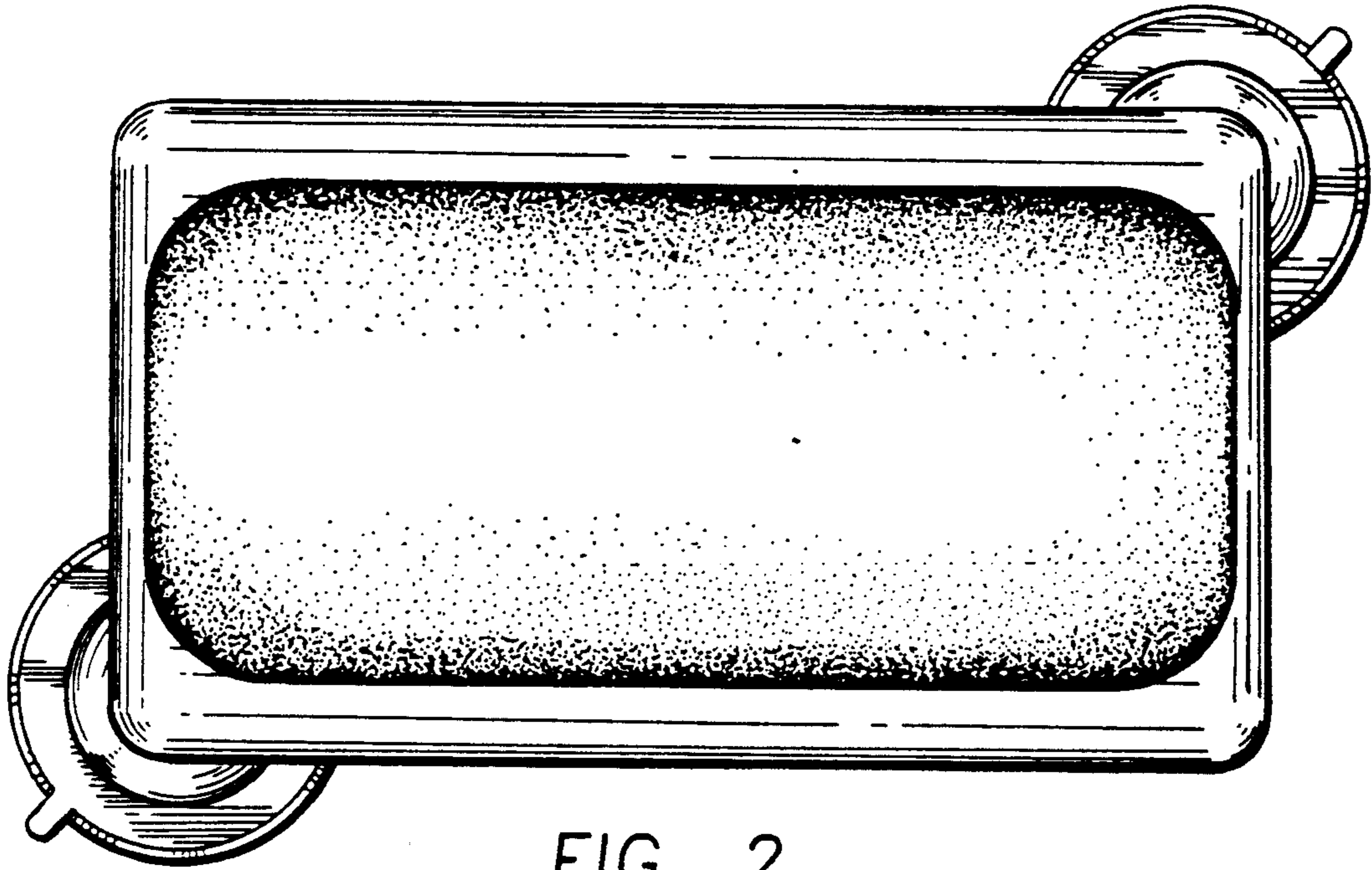


FIG. 2

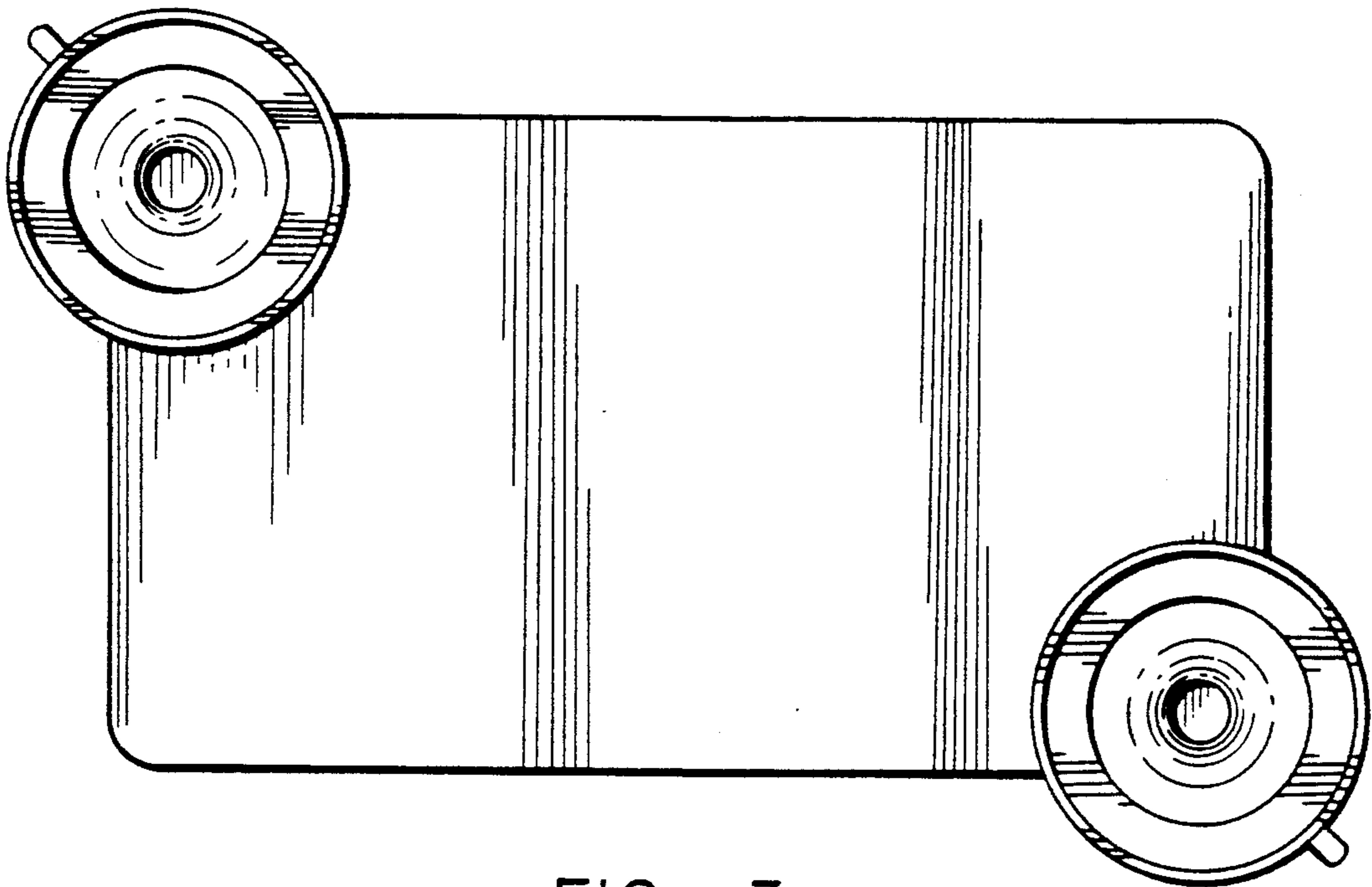


FIG. 3

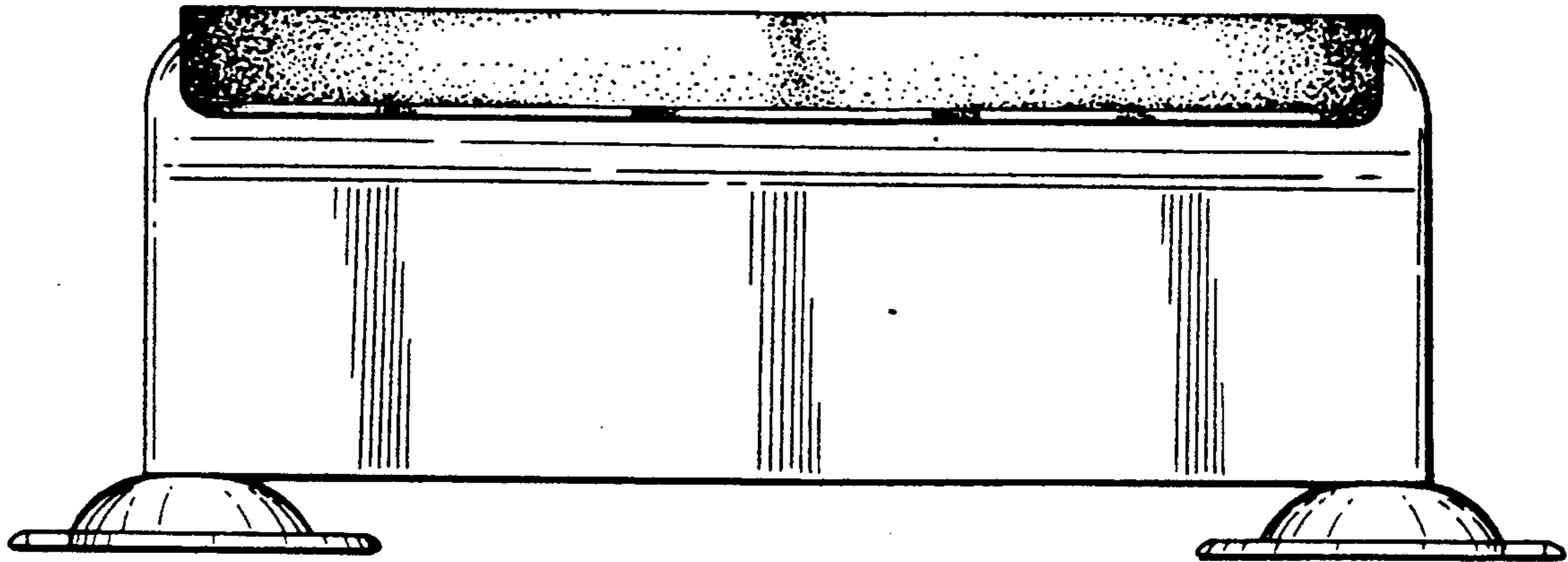


FIG. 4

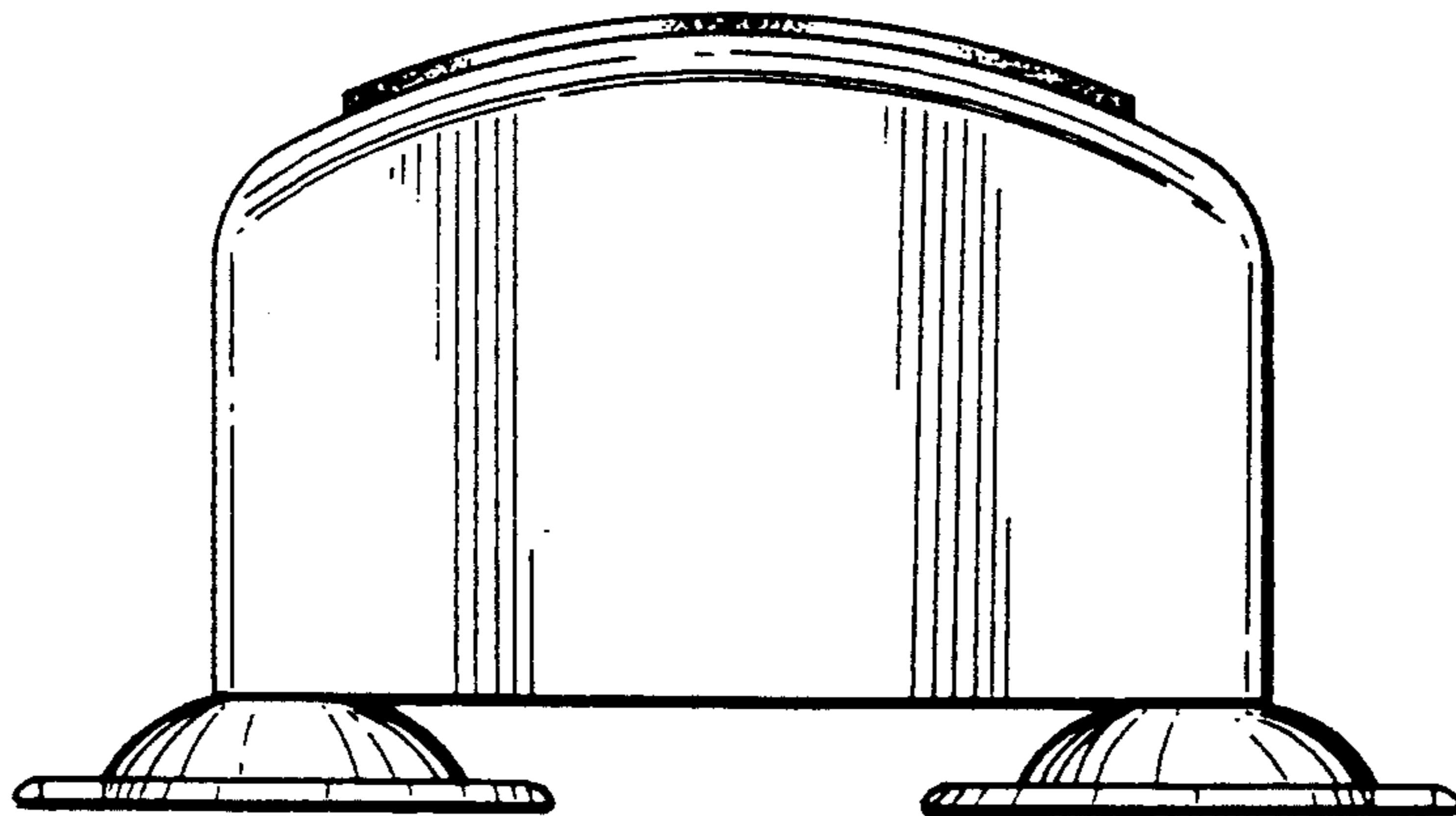


FIG. 5