



US00D343473S

United States Patent [19]

[11] Patent Number: **Des. 343,473**

de Vasselot

[45] Date of Patent: **** Jan. 18, 1994**

[54] **WALL-MOUNTED HAIR DRYER**

[75] Inventor: **Jacques de Vasselot, Nantes, France**

[73] Assignee: **Societe JVD, Reze, France**

[**] Term: **14 Years**

[21] Appl. No.: **735,152**

[22] Filed: **Jul. 17, 1991**

[30] **Foreign Application Priority Data**

Jan. 17, 1991 [FR] France 91 0270

[52] U.S. Cl. **D28/12**

[58] Field of Search 34/96-101;
392/181; D28/12-18

[56] **References Cited**

U.S. PATENT DOCUMENTS

- D. 180,322 5/1957 Feingold D28/12 X
- D. 269,819 7/1983 Froidevaux D28/12
- D. 314,839 2/1991 Ho D28/12
- 1,423,800 7/1922 Hibbard et al. 392/381
- 2,597,215 5/1952 Wright et al. 392/384 X

Primary Examiner—Bernard Ansher
Assistant Examiner—C. Tuttle
Attorney, Agent, or Firm—Young & Thompson

[57] **CLAIM**

The ornamental design for a wall-mounted hair dryer, as shown.

DESCRIPTION

FIG. 1 is a top, front and side perspective view of a wall-mounted hair dryer showing my new design; FIG. 2 is a front elevational view thereof; FIG. 3 is a rear elevational view thereof; FIG. 4 is a side elevational view thereof from the left of FIG. 2; FIG. 5 is a side elevational view thereof from the right of FIG. 2; FIG. 6 is a top plan view thereof; and, FIG. 7 is a bottom plan view thereof. The broken line showing of the air hose in FIG. 1 is for illustrative purposes only and forms no part of the claimed design.

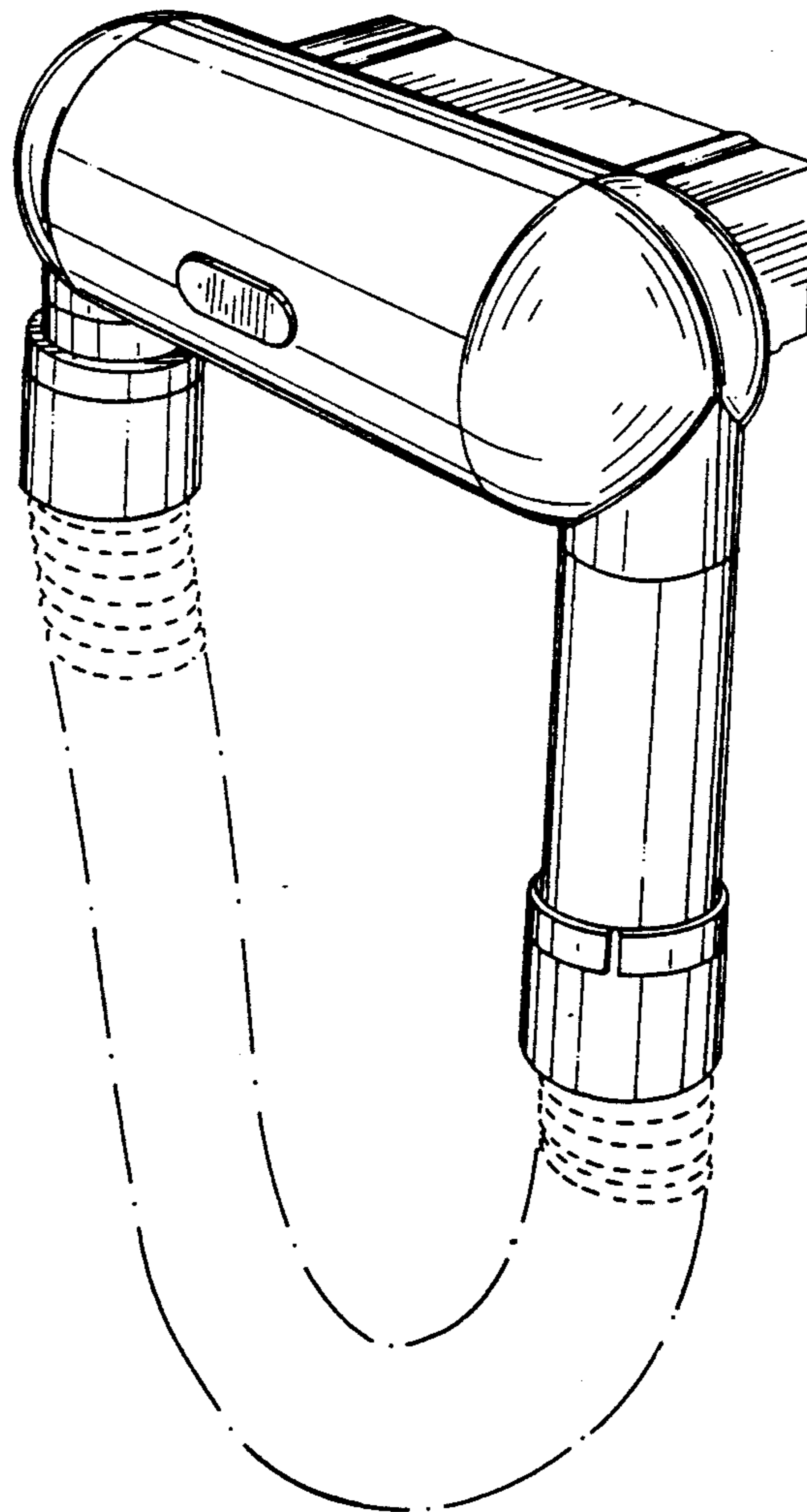


FIG. 1

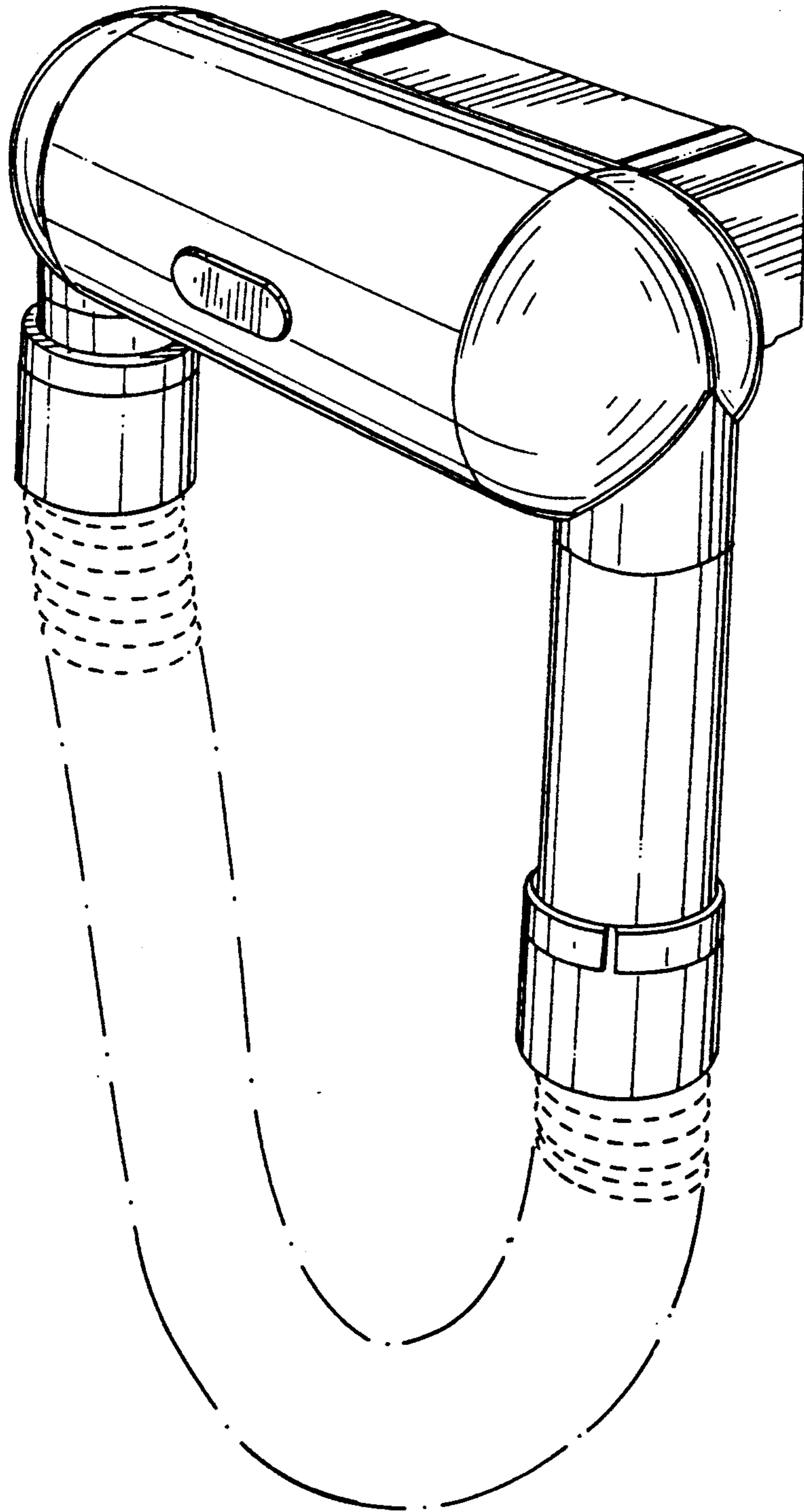


FIG. 2

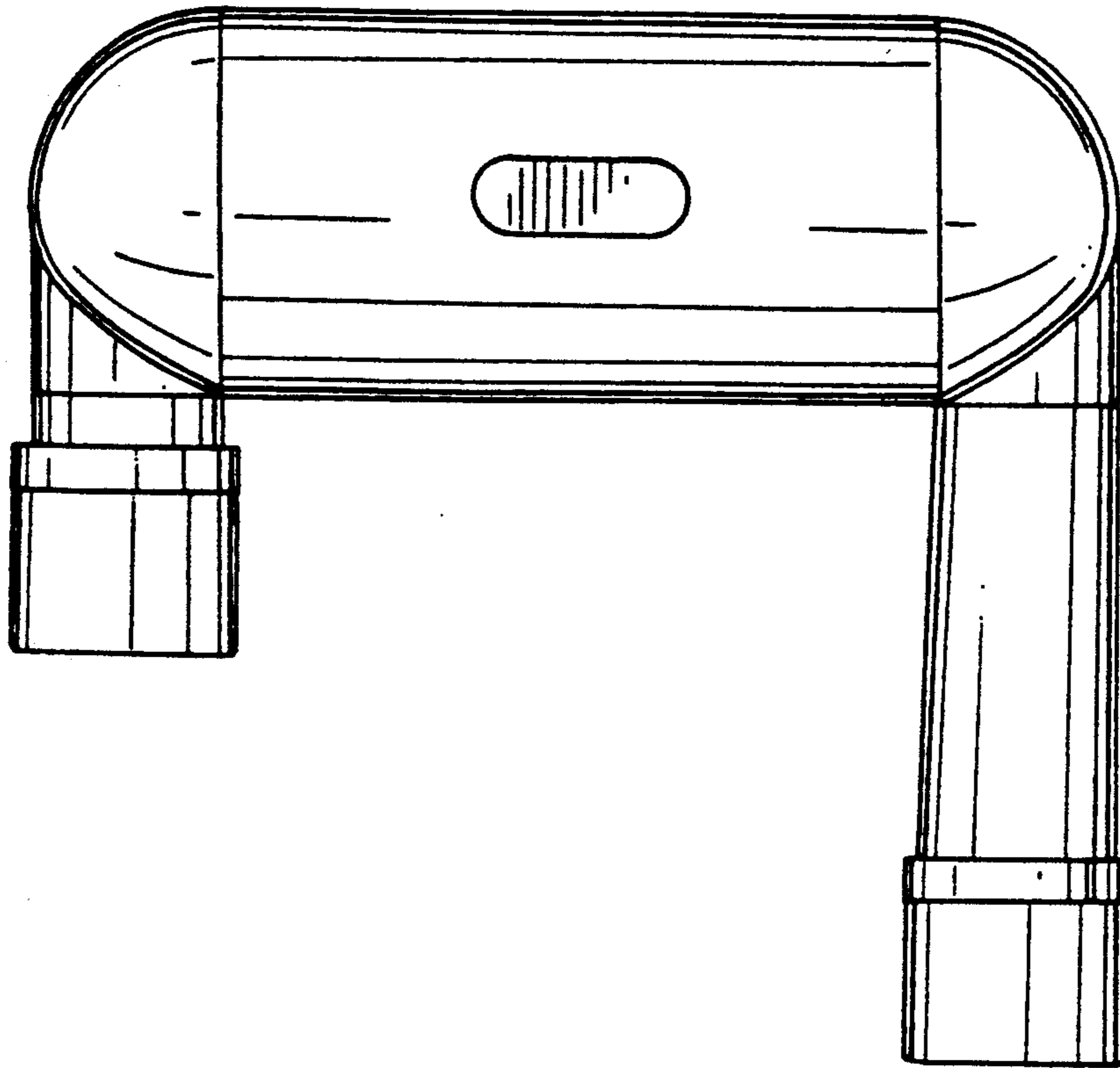
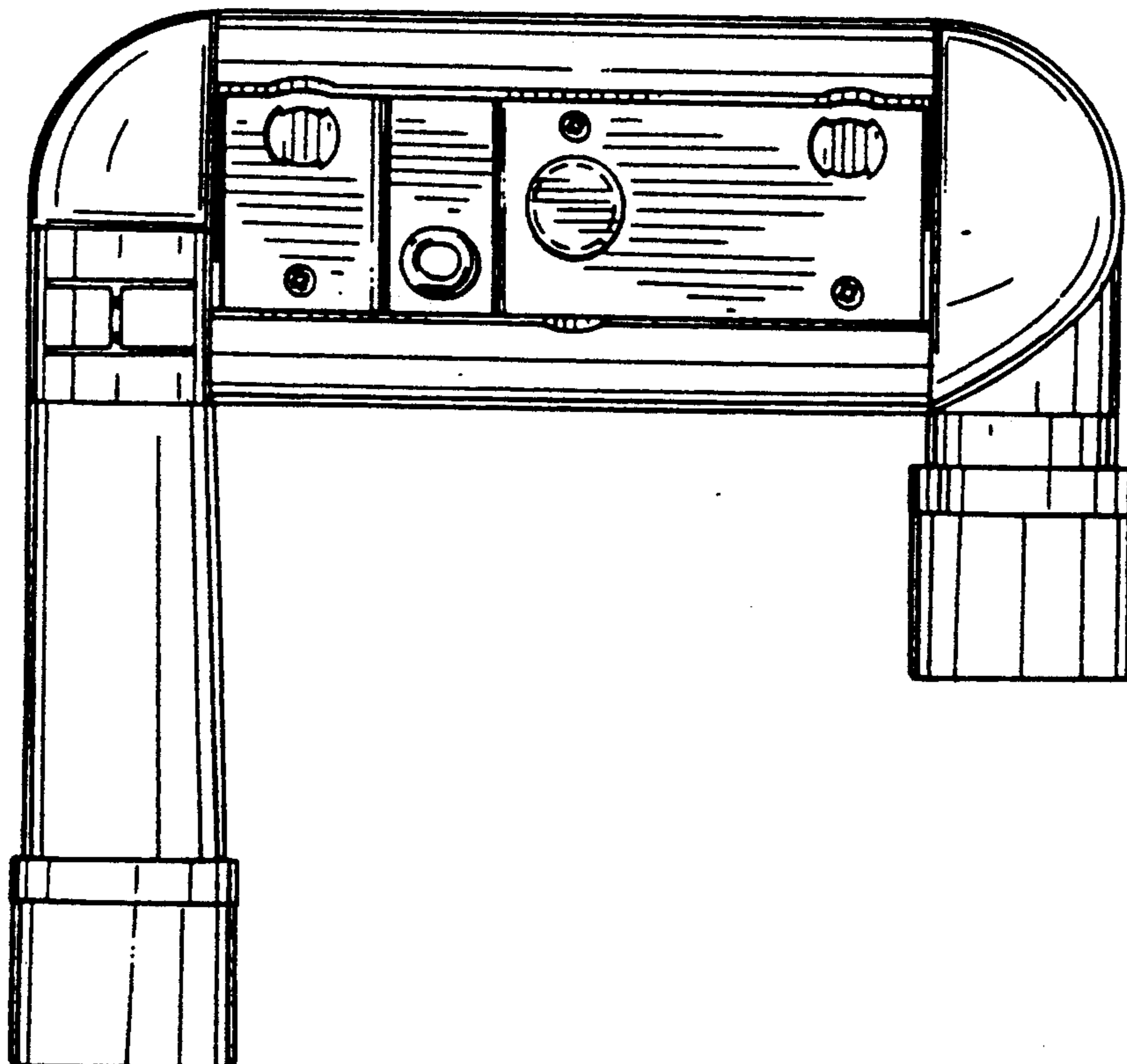


FIG. 3



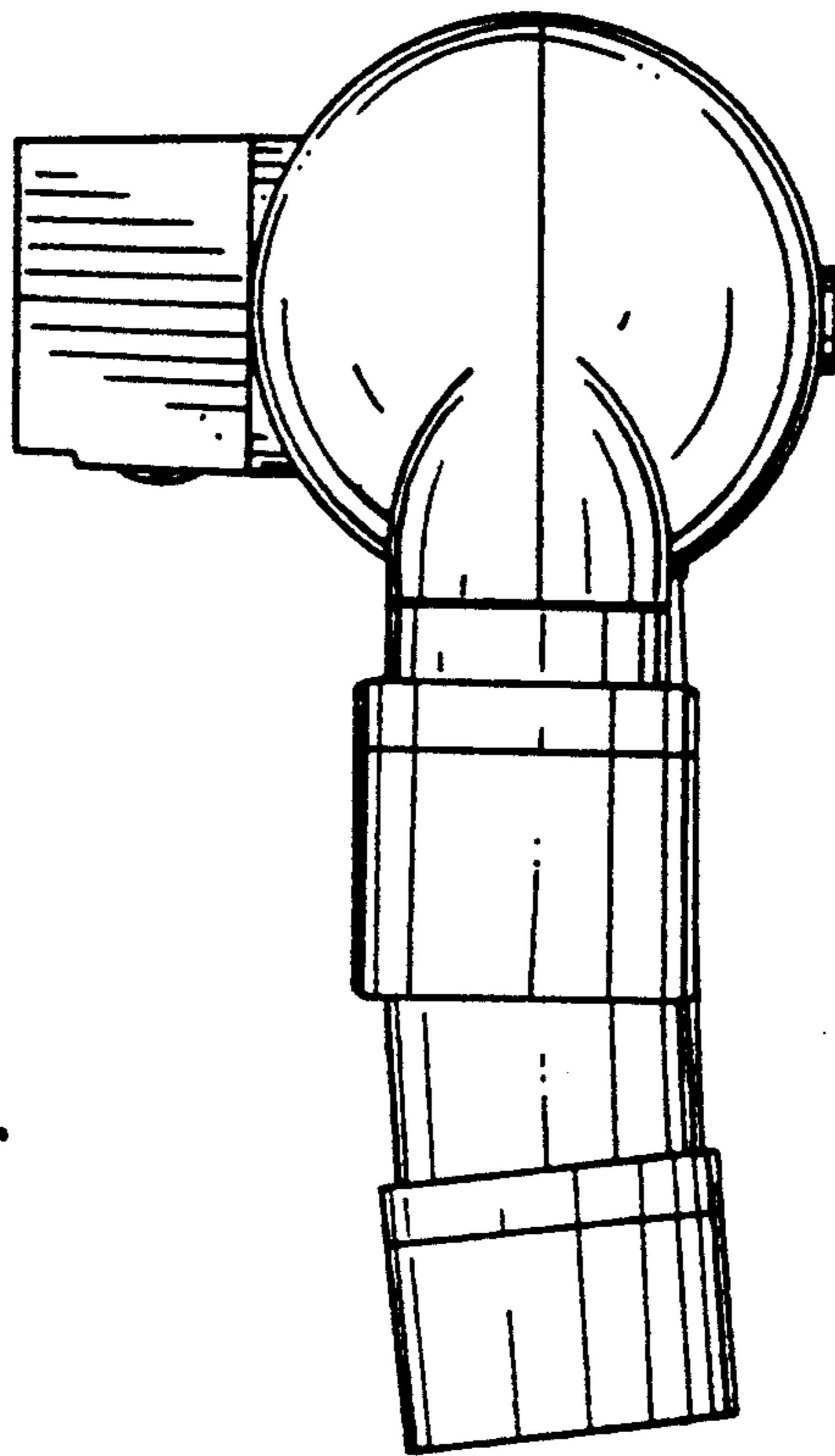


FIG. 4

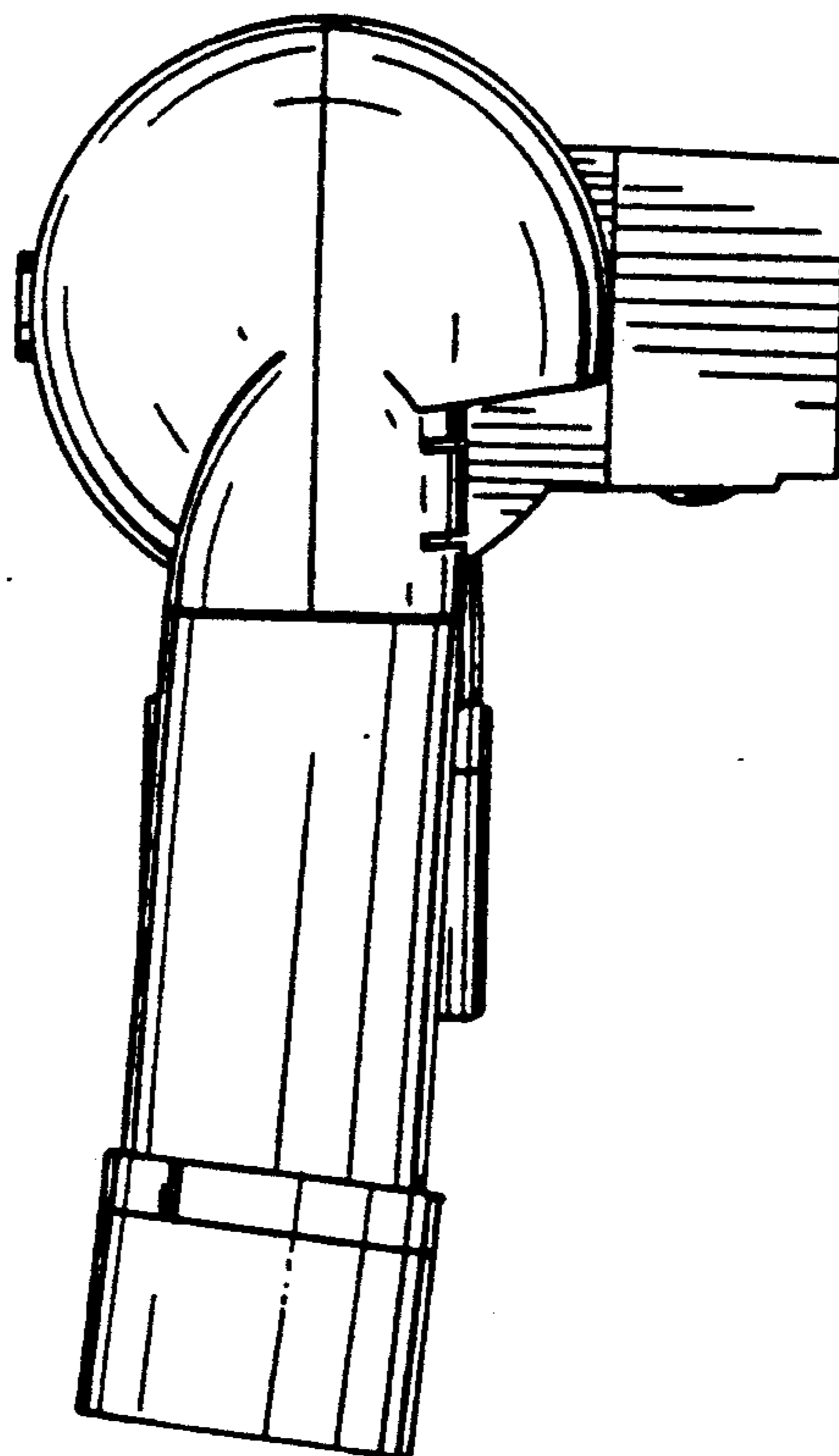


FIG. 5

FIG. 6

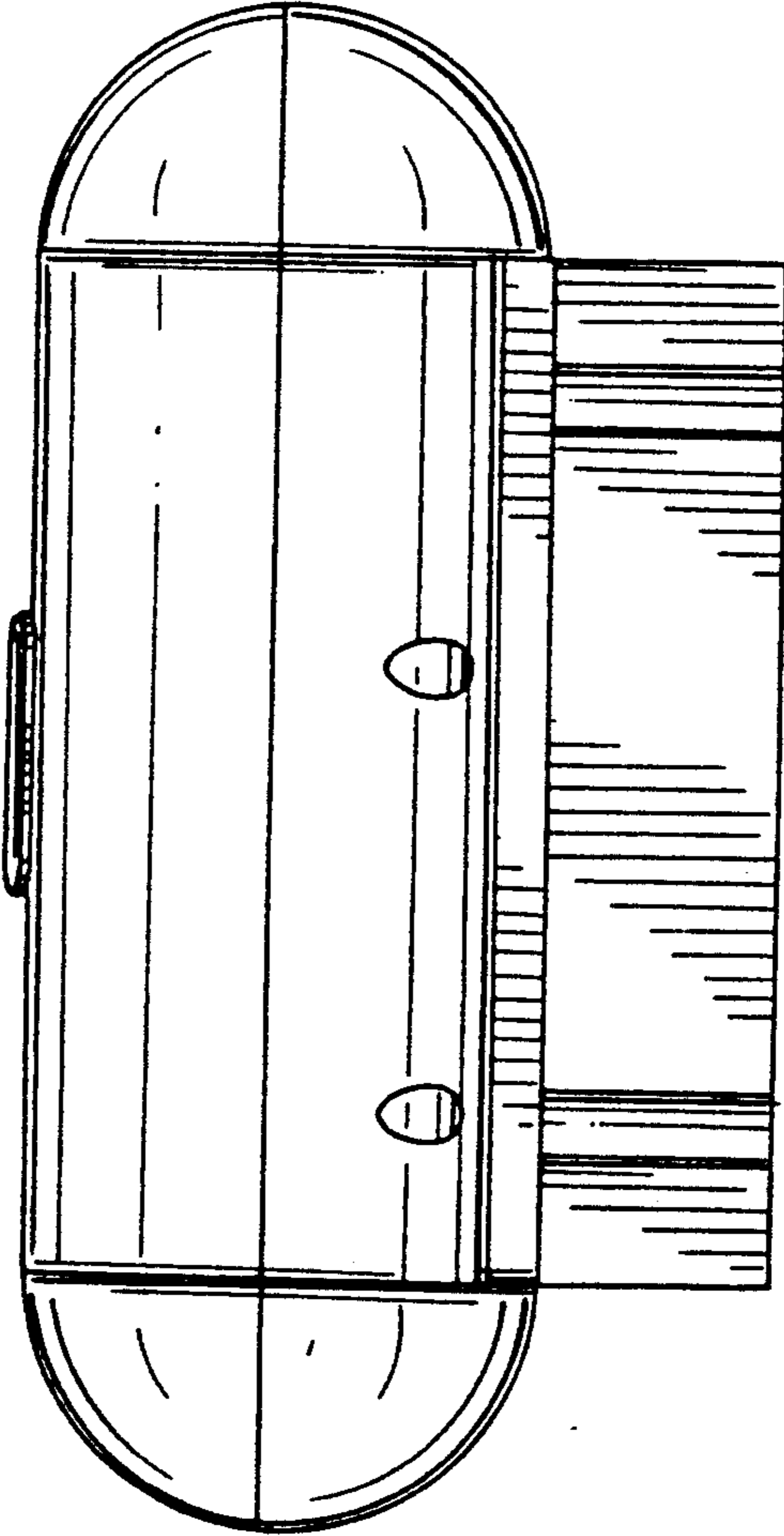


FIG. 7

