



US00D343471S

United States Patent [19]

Belisle et al.

[11] Patent Number: Des. 343,471

[45] Date of Patent: ** Jan. 18, 1994

[54] SUSPENDED LUMINAIRE

[75] Inventors: William W. Belisle; Herbert A. Fouke, both of Newark, Ohio

[73] Assignee: Holophane Company, Inc., Newark, Ohio

[**] Term: 14 Years

[21] Appl. No.: 857,302

[22] Filed: Mar. 25, 1992

[52] U.S. Cl. D26/85

[58] Field of Search 362/147, 404-408; D26/24, 72, 80-92

[56] References Cited

U.S. PATENT DOCUMENTS

D. 300,469 3/1989 Ewing et al. D26/24
4,449,168 5/1984 Ewing 362/147 X

Primary Examiner—Susan J. Lucas
Attorney, Agent, or Firm—Brooks & Kushman

[57] CLAIM

The ornamental design for a suspended luminaire, as shown.

DESCRIPTION

FIG. 1 is a perspective view of my new design;
FIG. 2 is a front elevational view;
FIG. 3 is a right side elevational view;
FIG. 4 is a top plan view;
FIG. 5 is a bottom plan view; and,
FIG. 6 is a rear elevational view.

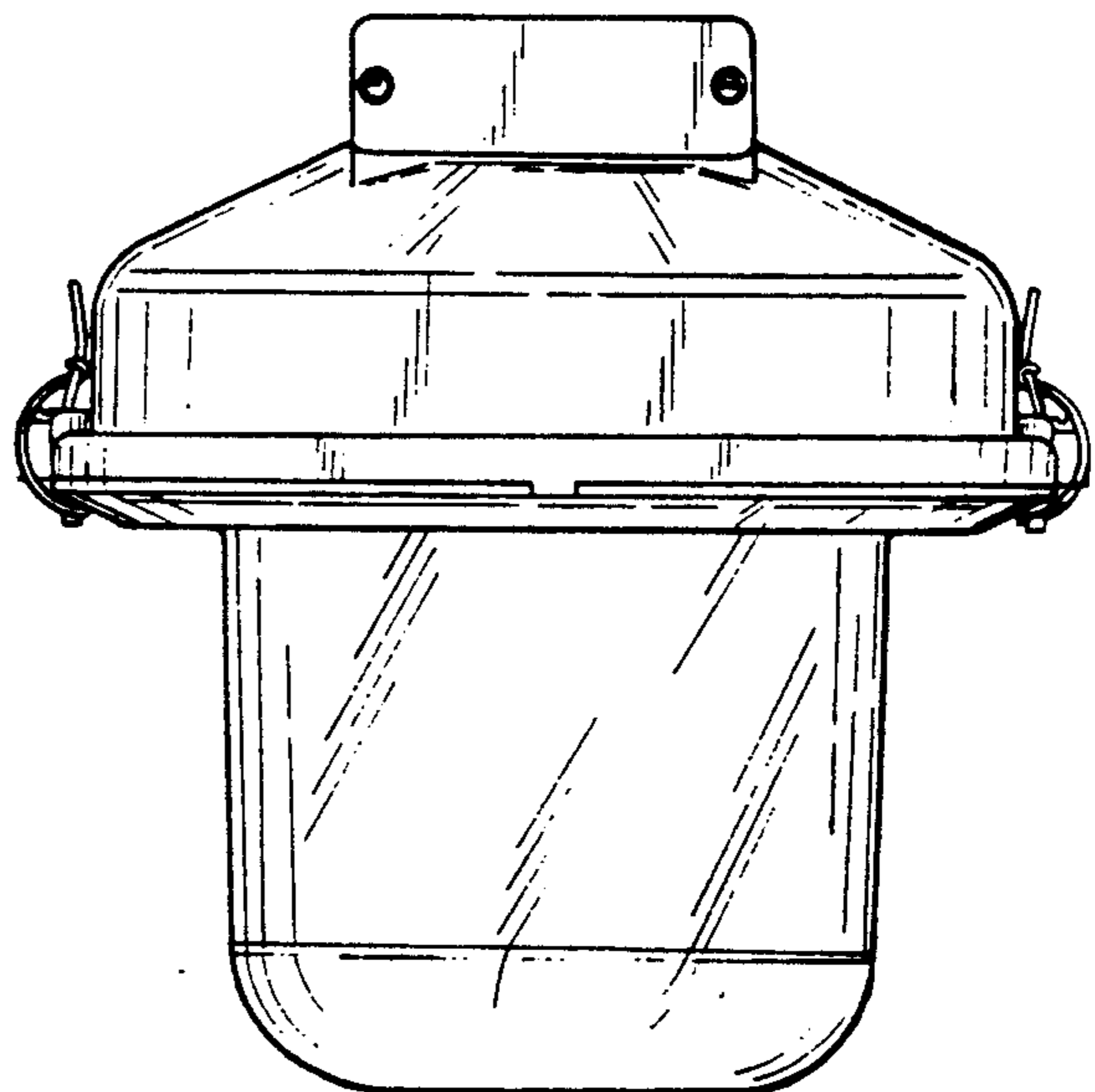
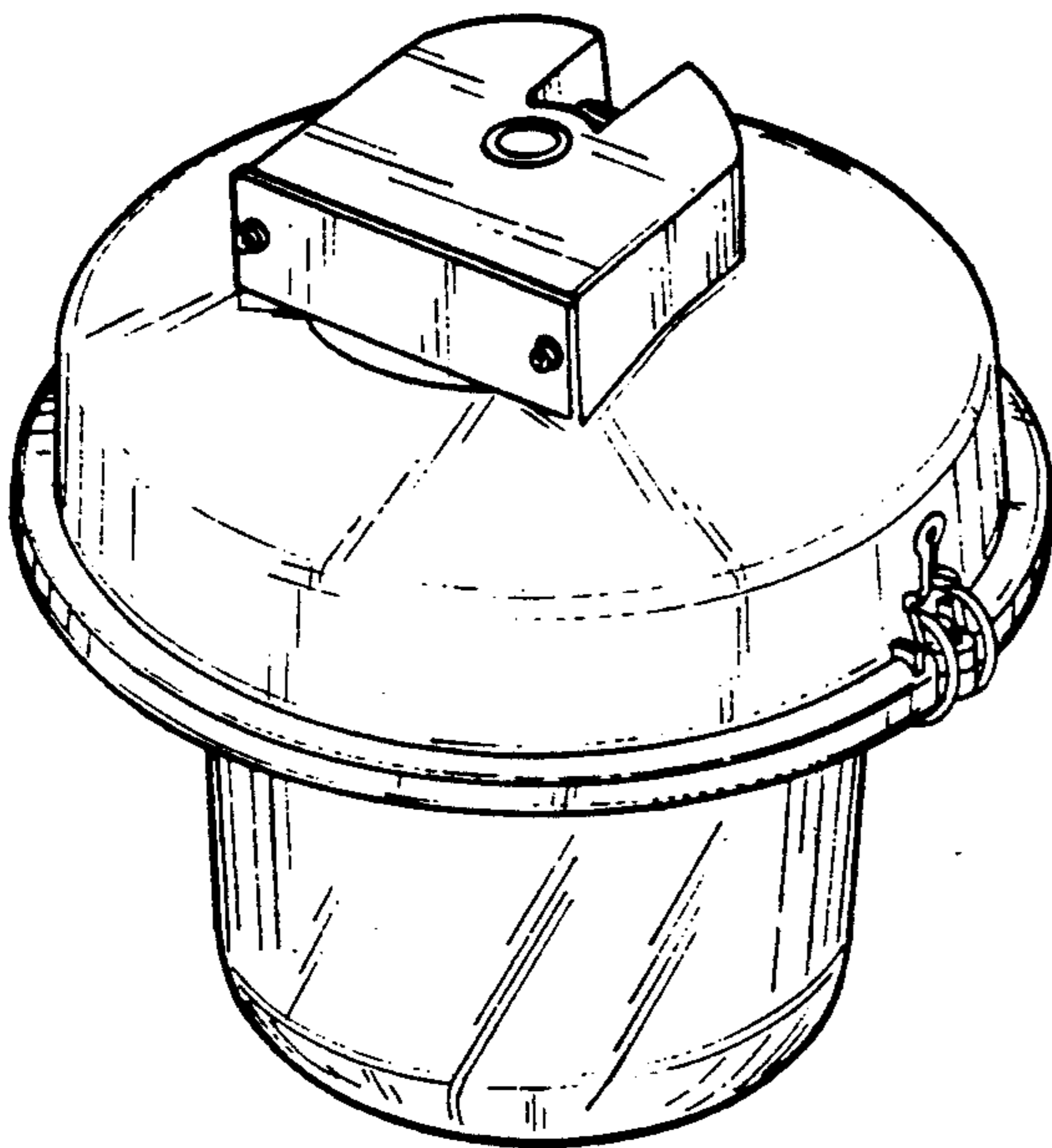


fig-1

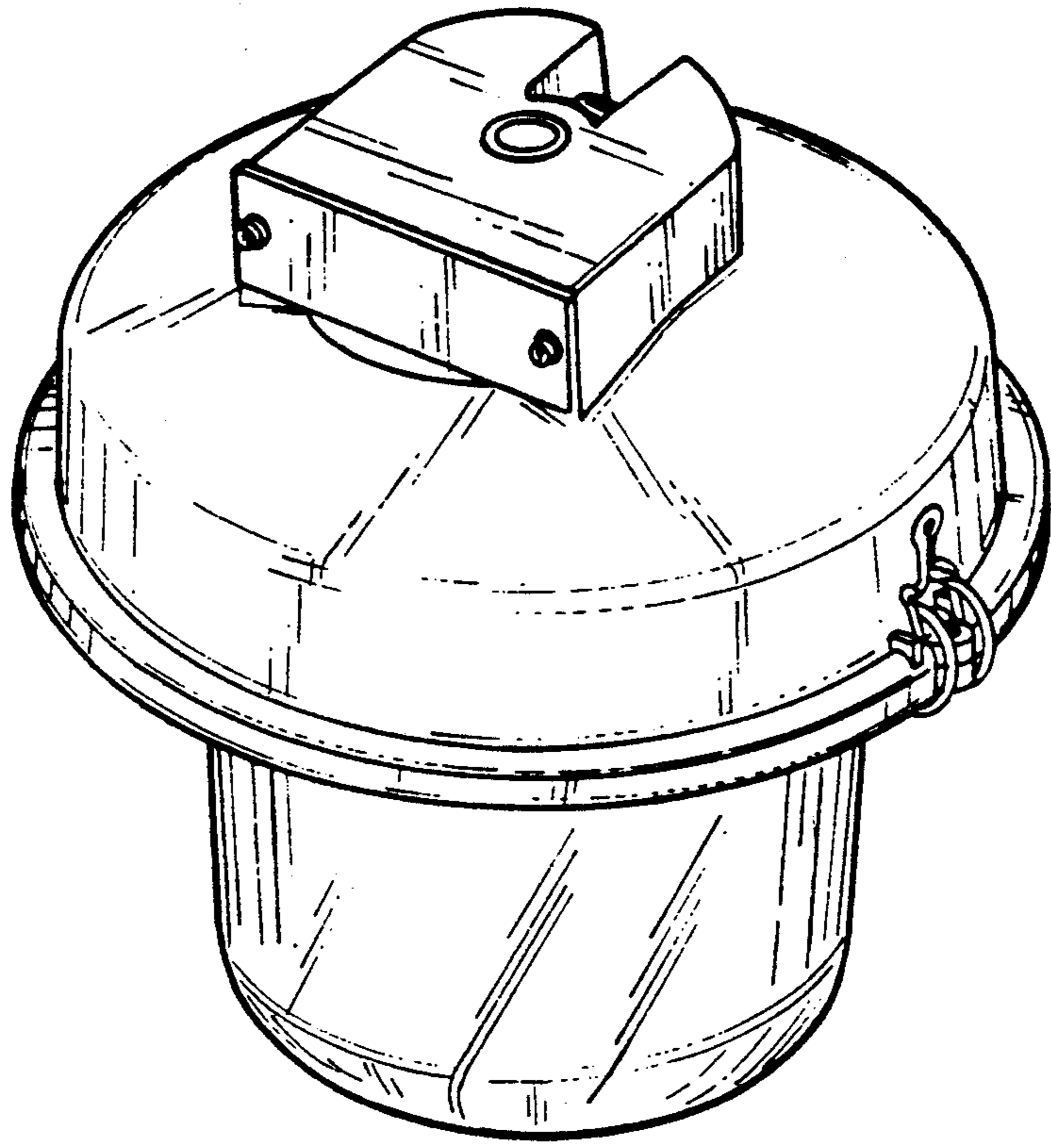
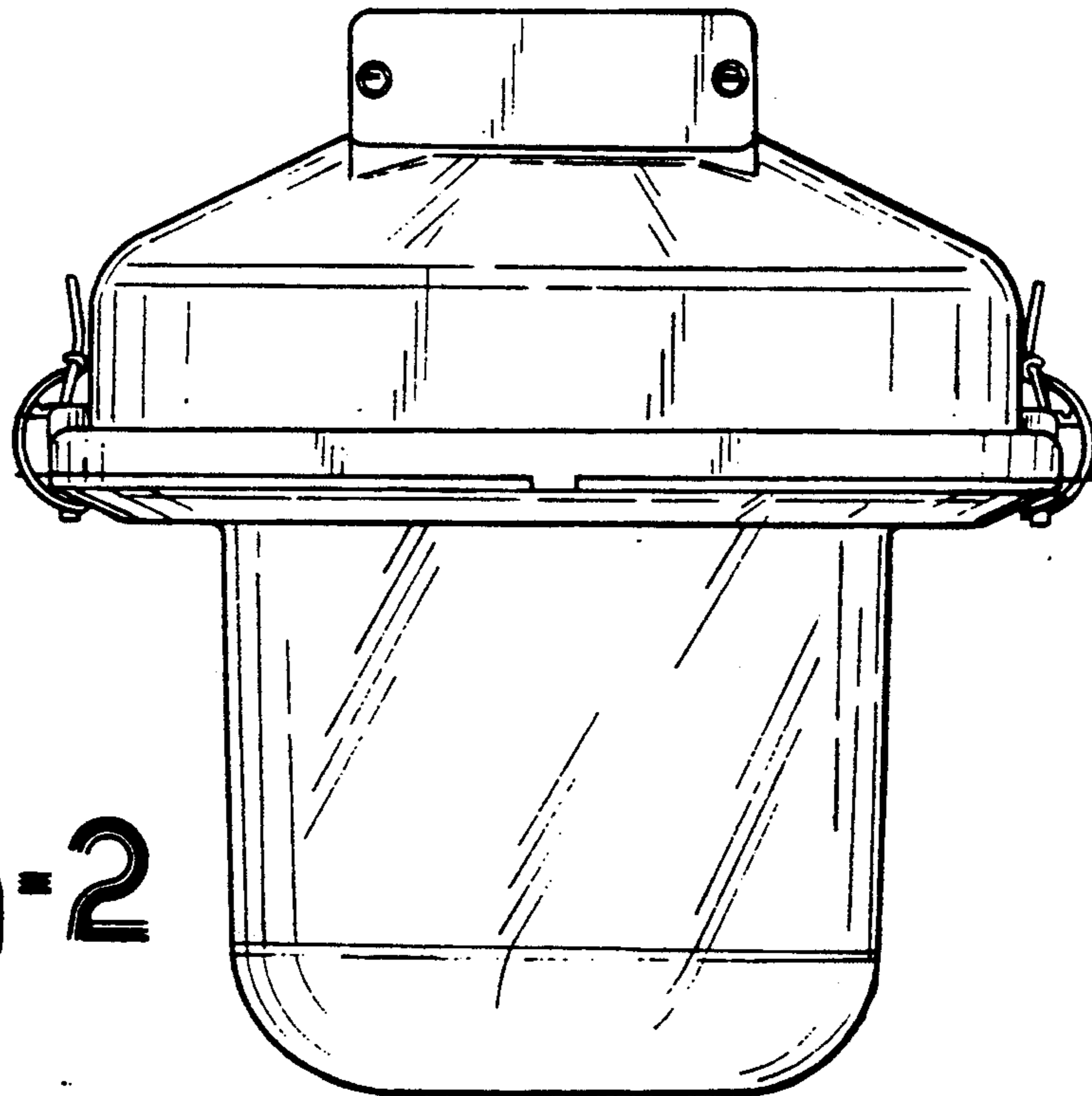


fig-2



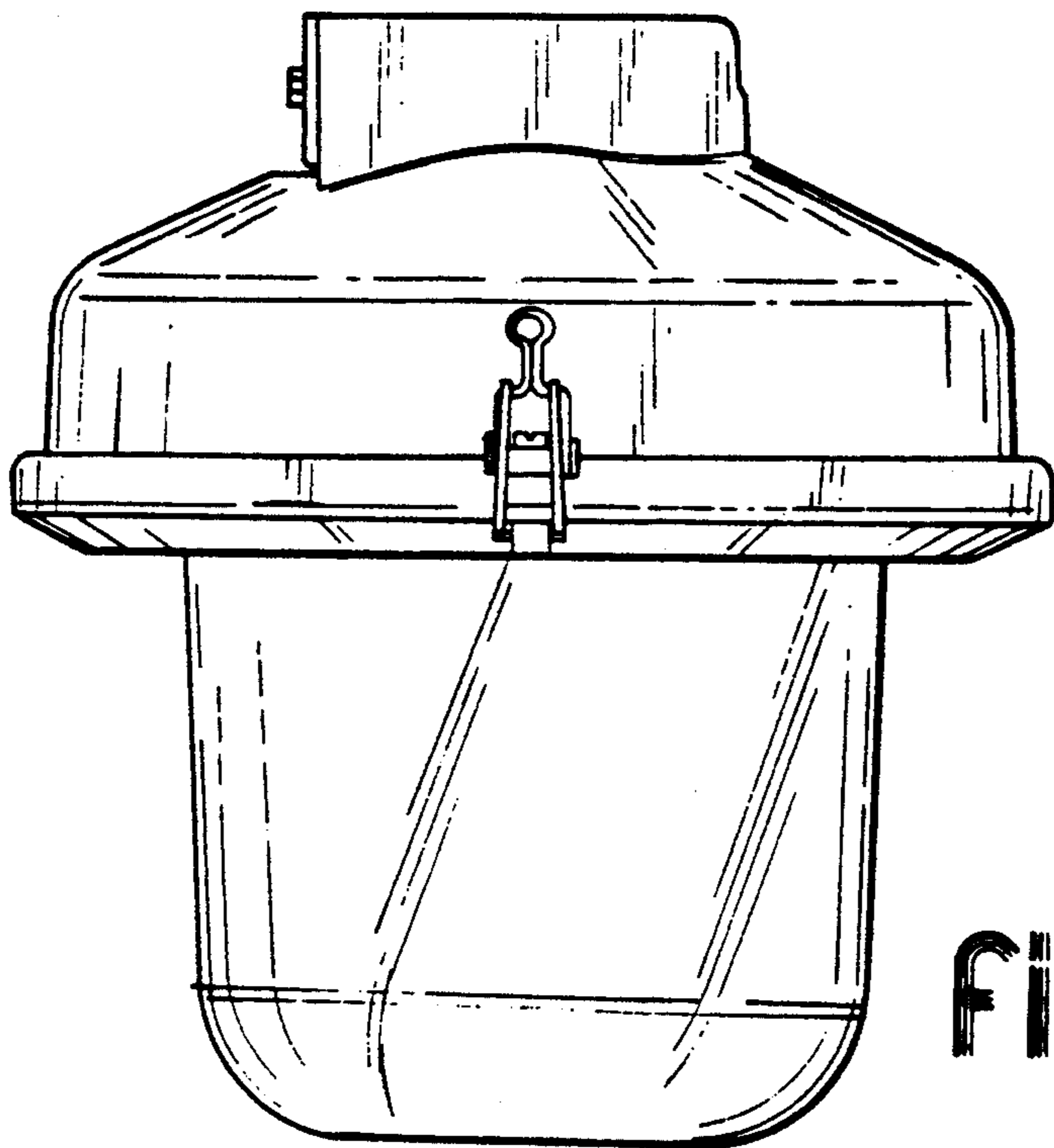


fig-3

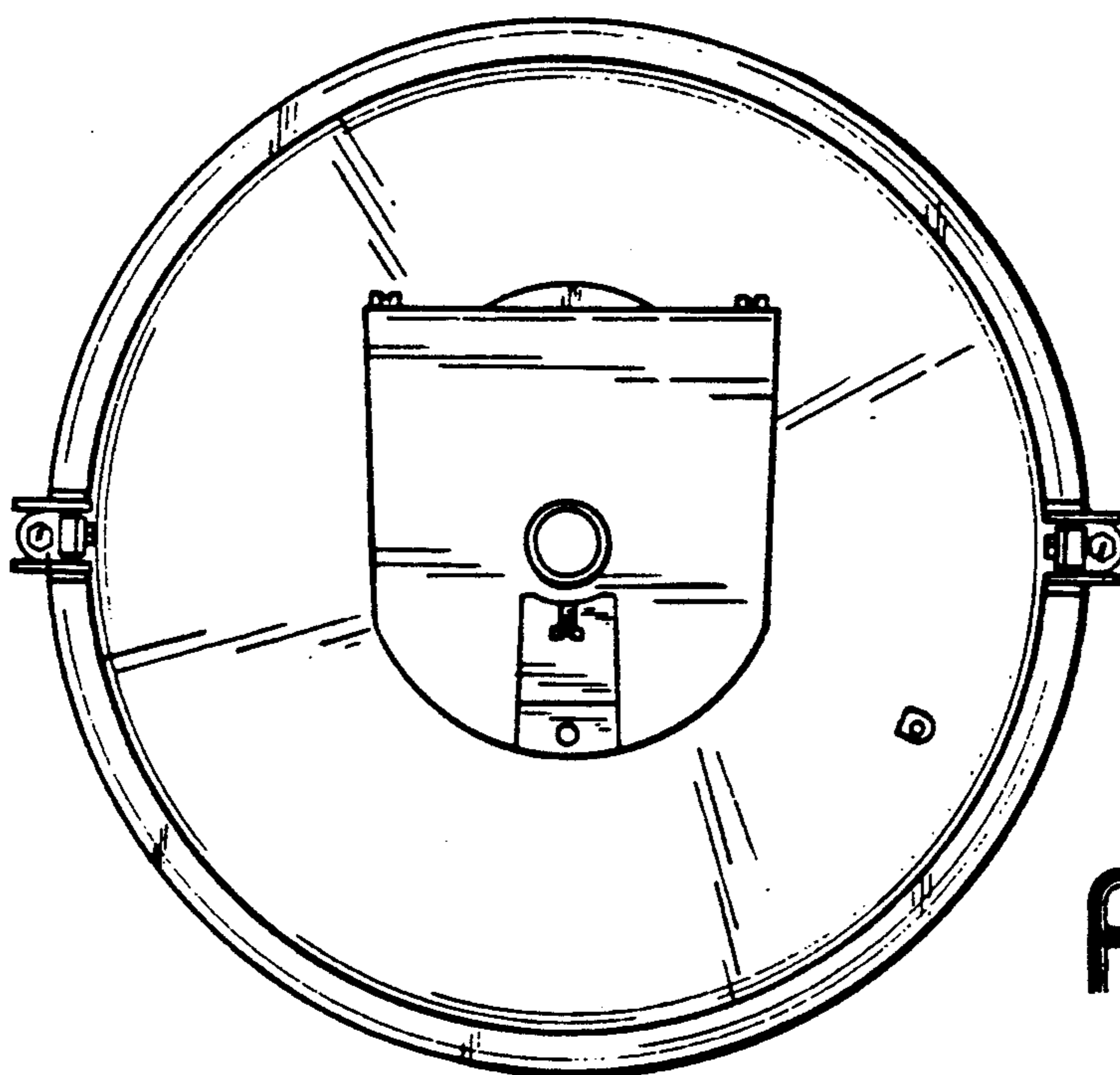


fig-4

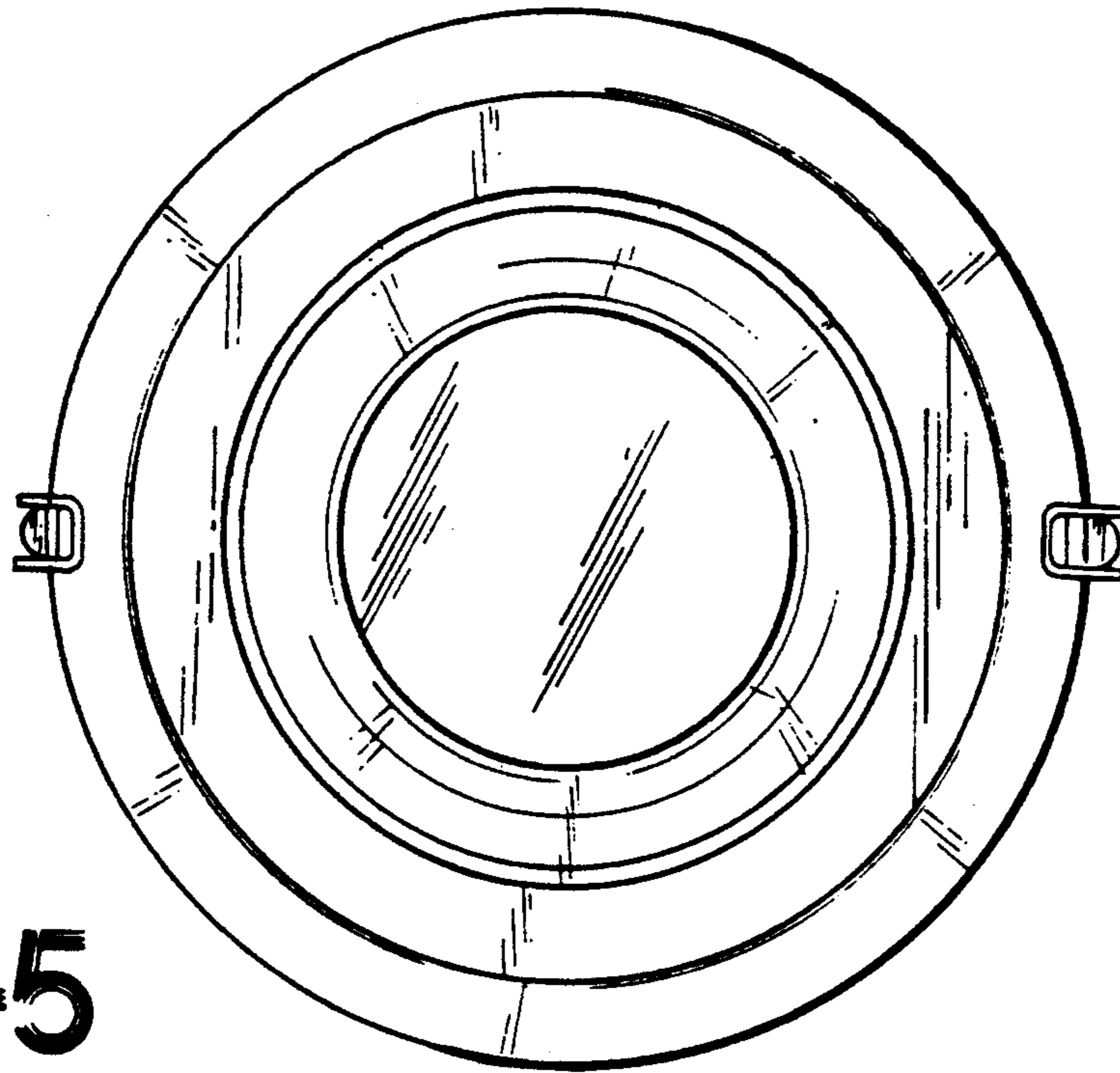


Fig-5

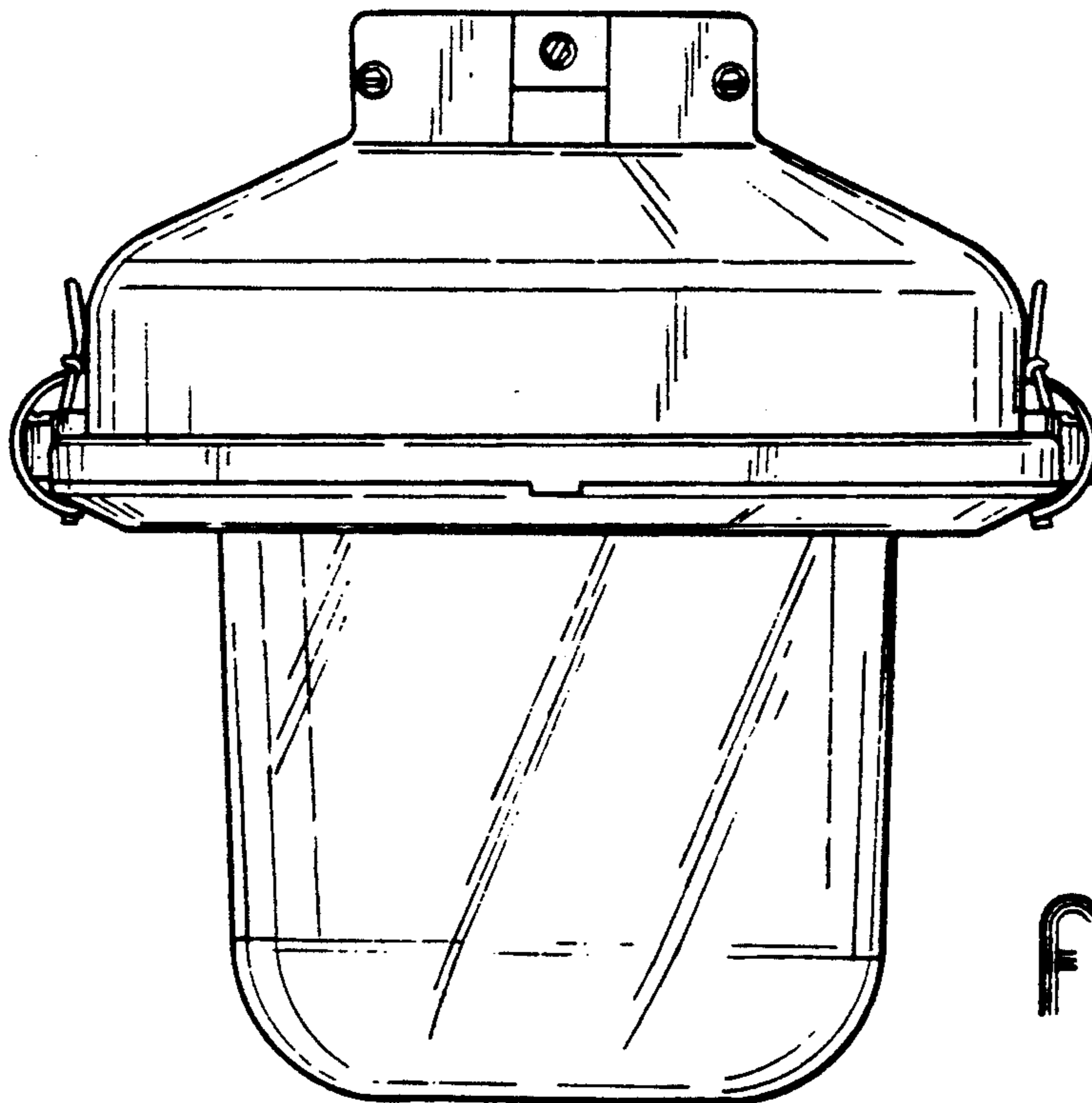


Fig-6