



US00D343469S

# United States Patent [19]

[11] Patent Number: **Des. 343,469**

Yuen

[45] Date of Patent: **\*\* Jan. 18, 1994**

## [54] DIRECT PLUG-IN RECHARGEABLE LIGHT

[75] Inventor: **John S. Yuen, Kowloon, Hong Kong**

[73] Assignee: **John Manufacturing Limited, Kowloon, Hong Kong**

[\*\*] Term: **14 Years**

[21] Appl. No.: **802,475**

[22] Filed: **Dec. 5, 1991**

### [30] Foreign Application Priority Data

Jun. 5, 1991 [GB] United Kingdom .....	2015134
[52] U.S. Cl. ....	<b>D26/46</b>
[58] Field of Search .....	362/157, 158, 183-200, 362/202, 205, 206, 208; D26/37-50

### [56] References Cited

#### U.S. PATENT DOCUMENTS

D. 217,925	6/1970	Stahel .....	D26/46
3,196,268	7/1965	Mack .....	362/188
3,345,508	10/1967	Chung .....	362/196

## OTHER PUBLICATIONS

Early Winters Catalog, 1984, p. 89, Rechargeable Flashlight.

*Primary Examiner*—Susan J. Lucas  
*Attorney, Agent, or Firm*—Fay, Sharpe, Beall, Fagan, Minnich & McKee

## [57] CLAIM

The ornamental design for a direct plug-in rechargeable light, as shown and described.

## DESCRIPTION

FIG. 1 is a front elevational view of a direct plug-in rechargeable light showing my new design; FIG. 2 is a right side elevational view thereof; FIG. 3 is a left side elevational view thereof; FIG. 4 is a rear elevational view thereof; FIG. 5 is a top plan view thereof; FIG. 6 is an underneath plan view thereof; FIG. 7 is a right side elevational view with a part in an alternative position thereof; and, FIG. 8 is a rear elevational view with a part in an alternative position thereof.

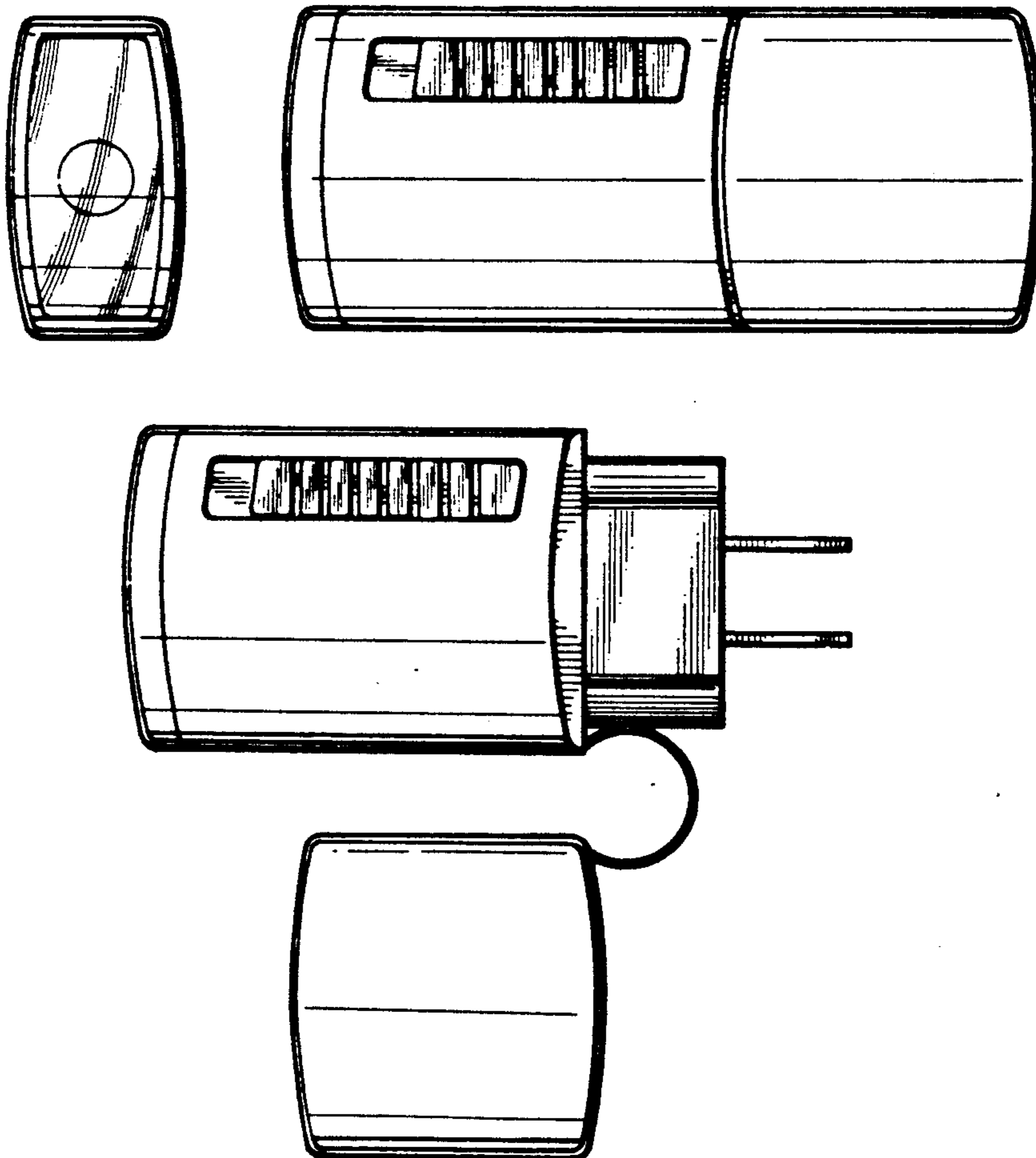


FIG. 1

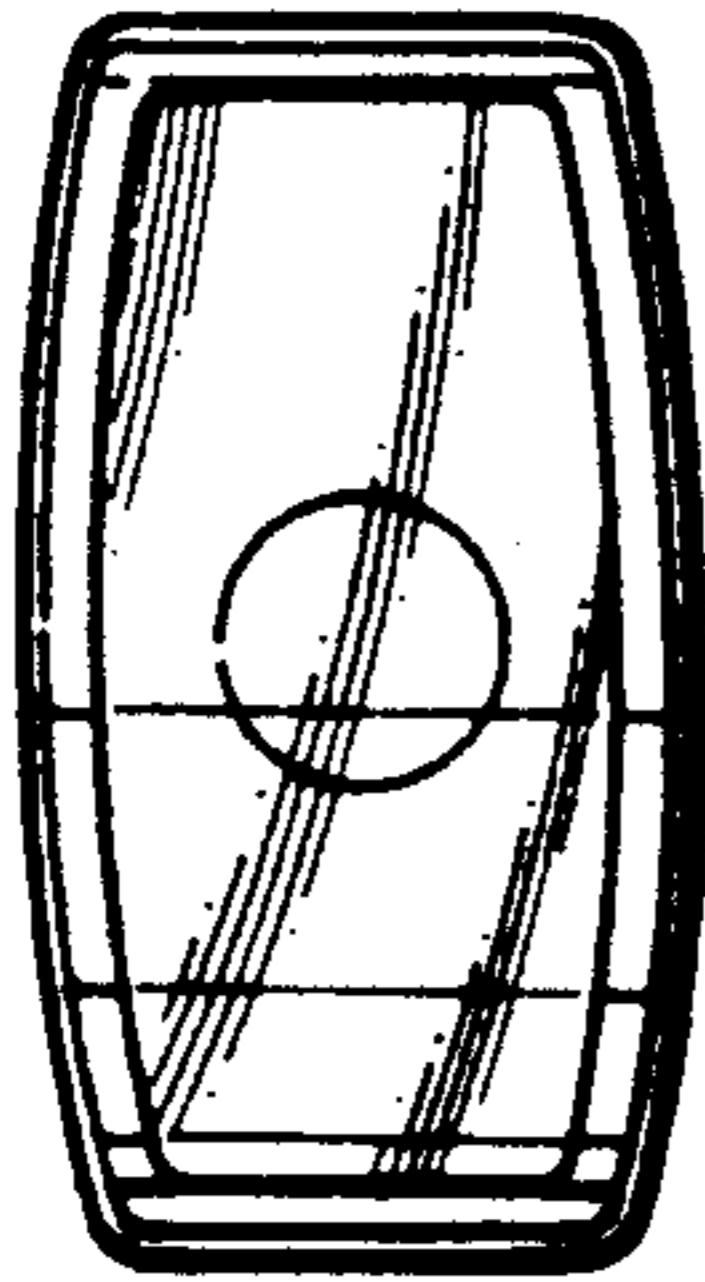


FIG. 2

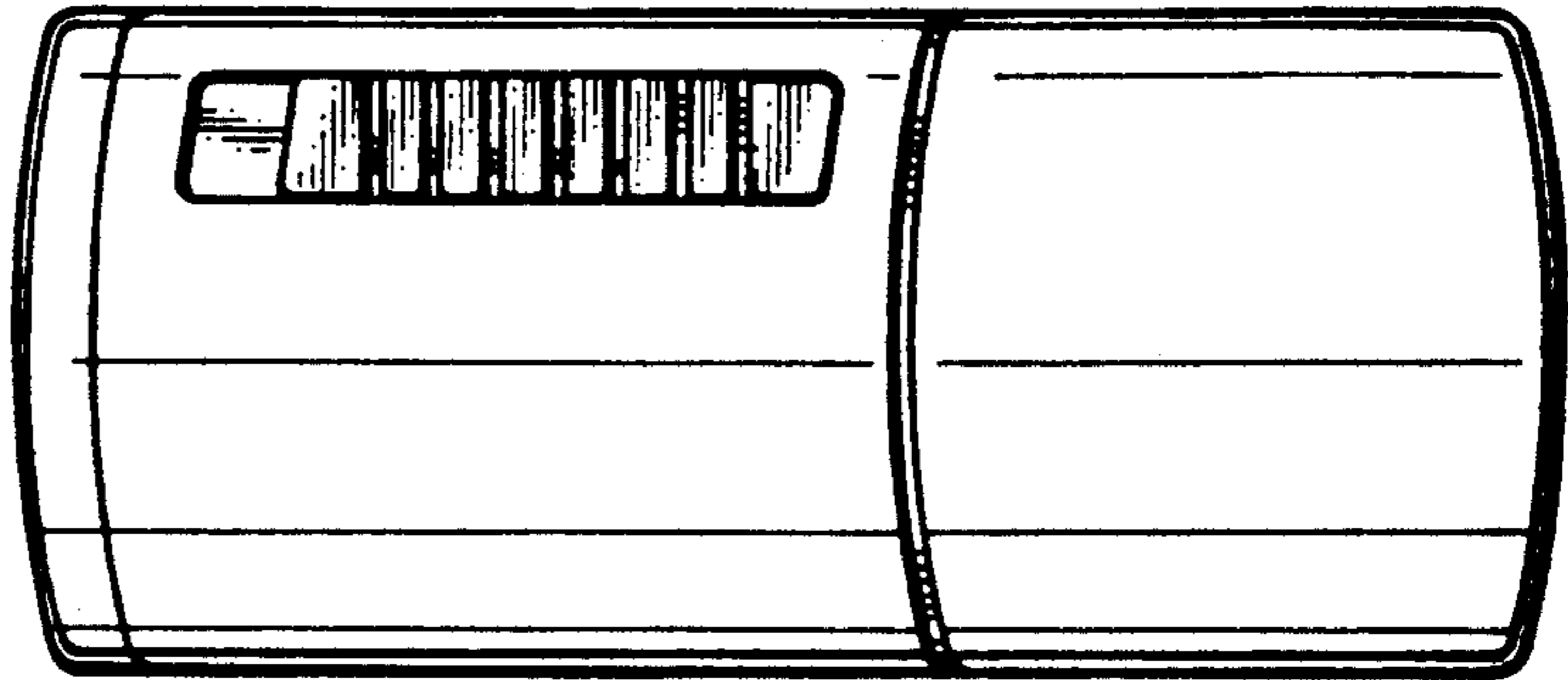


FIG. 3

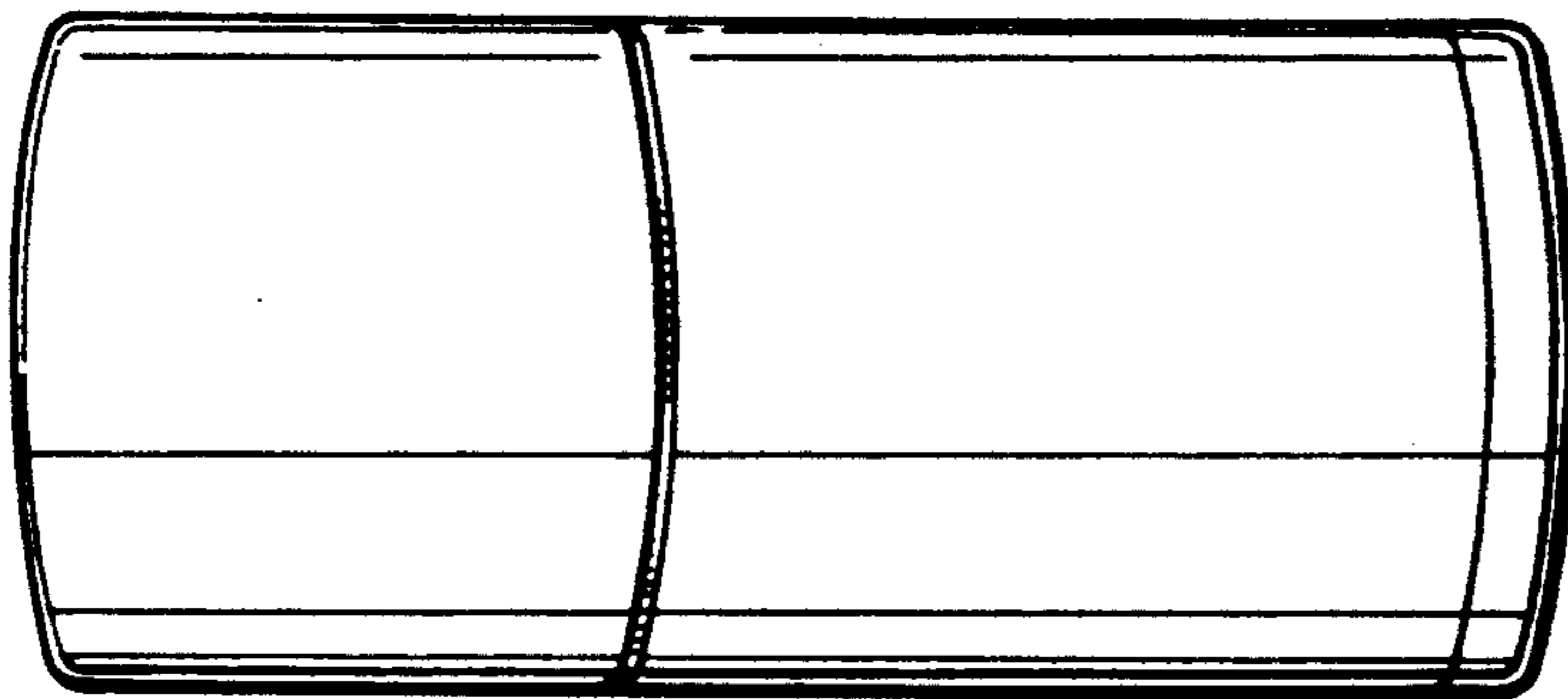


FIG. 4

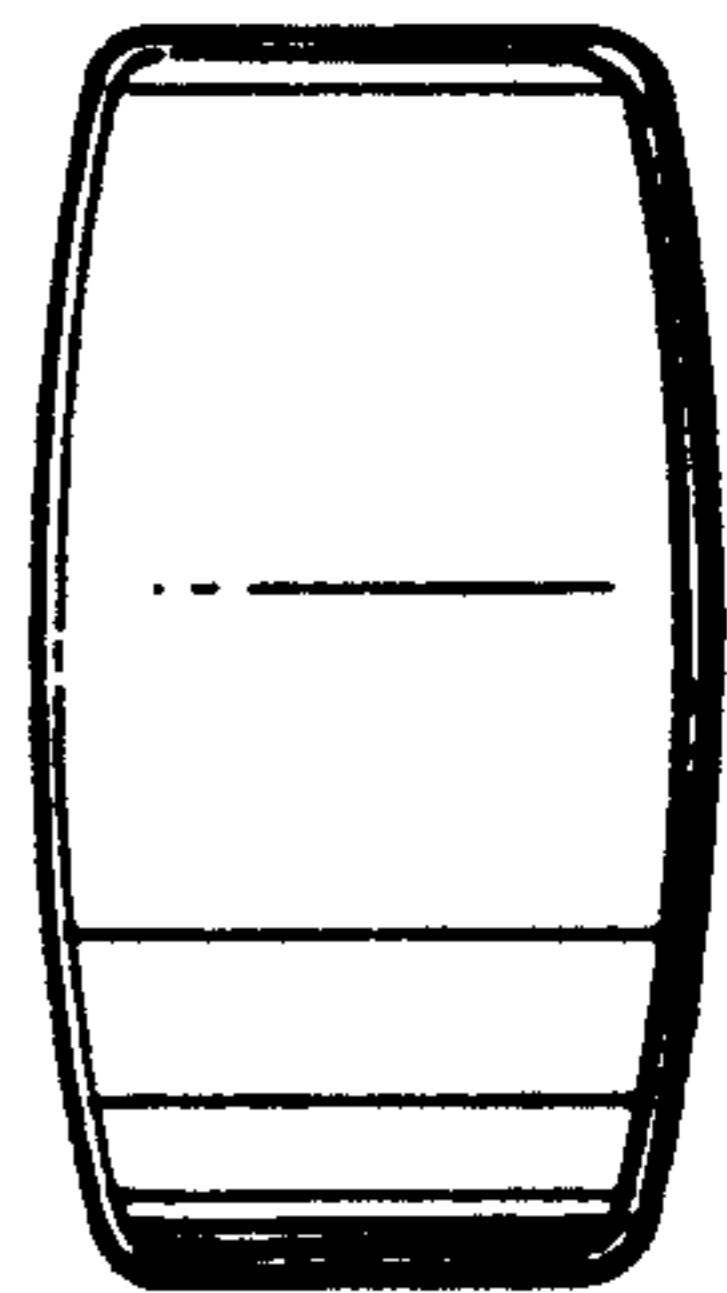


FIG. 5

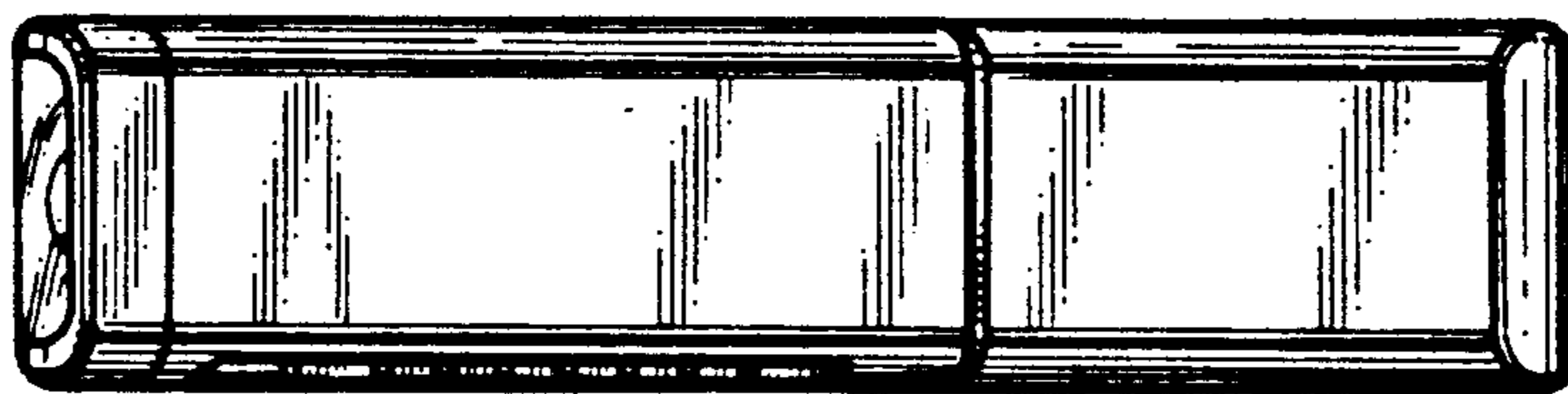


FIG. 6

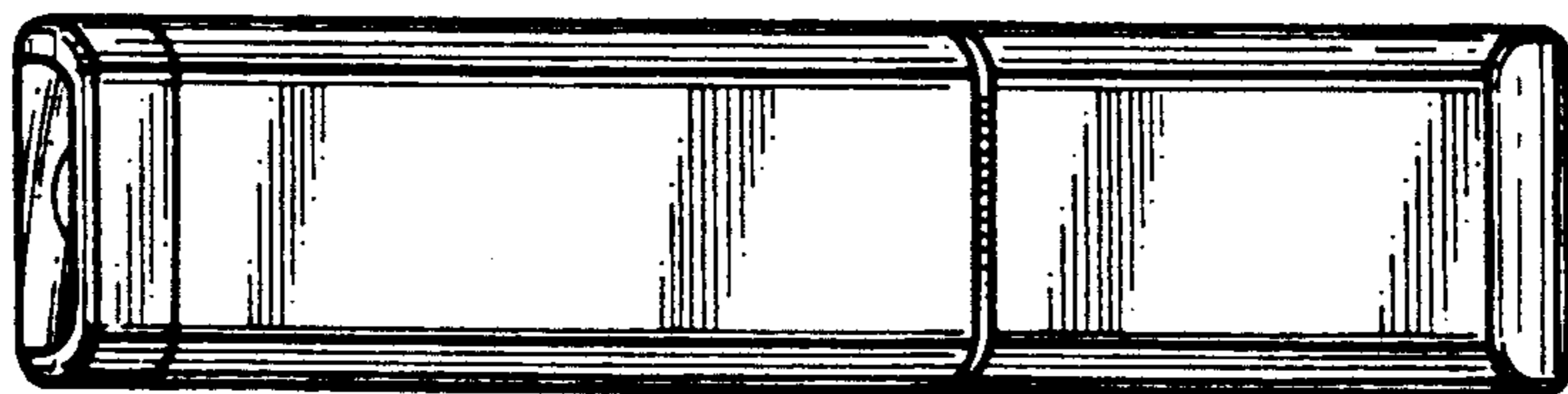


FIG. 7

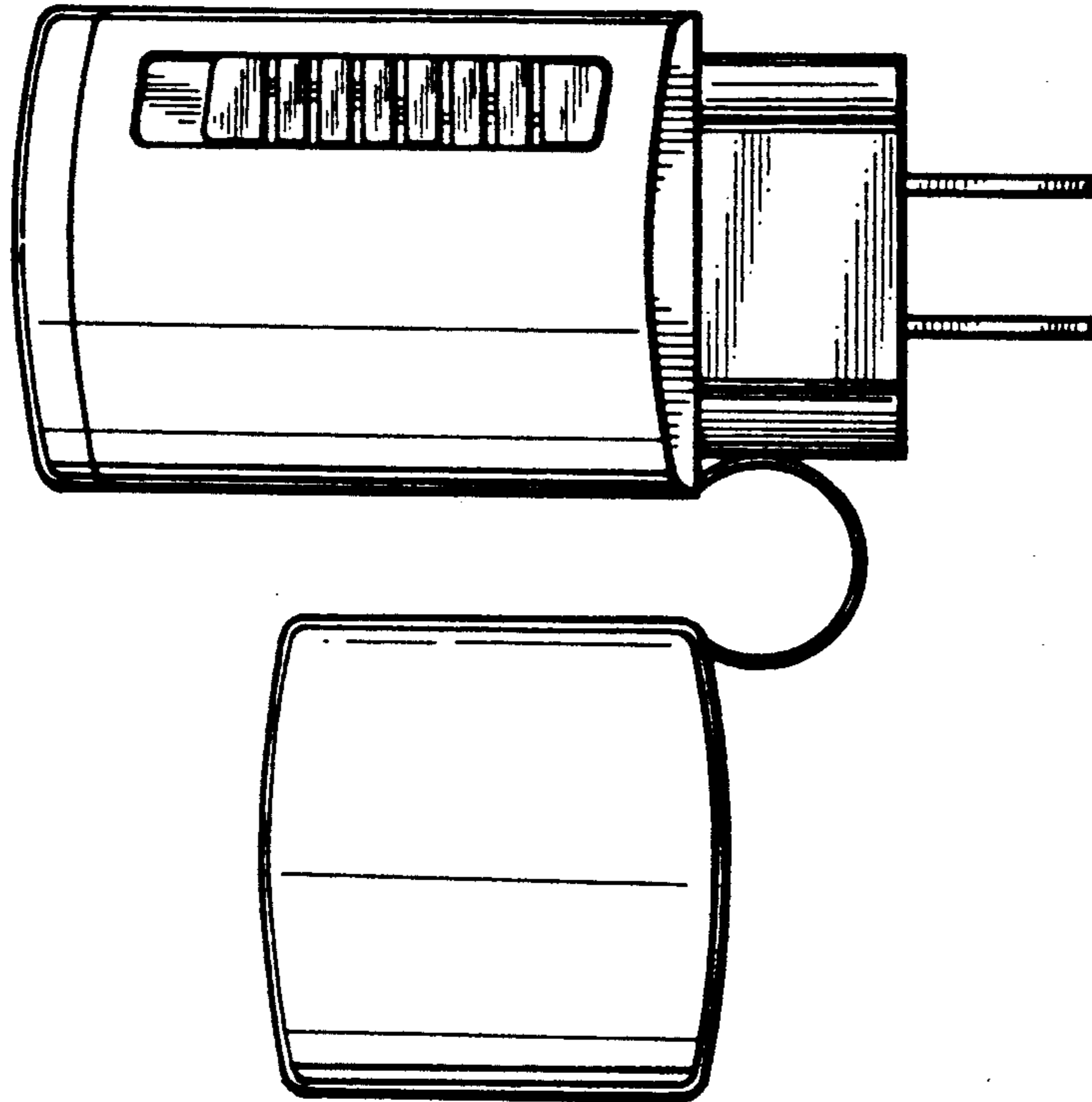


FIG. 8

