



US00D343464S

United States Patent [19]

Cole

[11] Patent Number: Des. 343,464

[45] Date of Patent: ** Jan. 18, 1994

[54] WINDOW COMPONENT EXTRUSION

[75] Inventor: Douglas L. Cole, Seattle, Wash.

[73] Assignee: Mikron Industries, Kent, Wash.

[**] Term: 14 Years

[21] Appl. No.: 817,107

[22] Filed: Dec. 30, 1991

Related U.S. Application Data

[63] Continuation of Ser. No. 744,801, Aug. 14, 1991, abandoned.

[52] U.S. Cl. D25/124

[58] Field of Search 49/501, 504, DIG. 2;
D25/119-125, 52

[56] References Cited

U.S. PATENT DOCUMENTS

- D. 307,803 5/1990 Westphal et al. D25/124
- D. 307,804 5/1990 Westphal et al. D25/124
- D. 308,106 5/1990 Hardy D25/124

Primary Examiner—A. Hugo Word

Assistant Examiner—Doris Clark

Attorney, Agent, or Firm—Seed and Berry

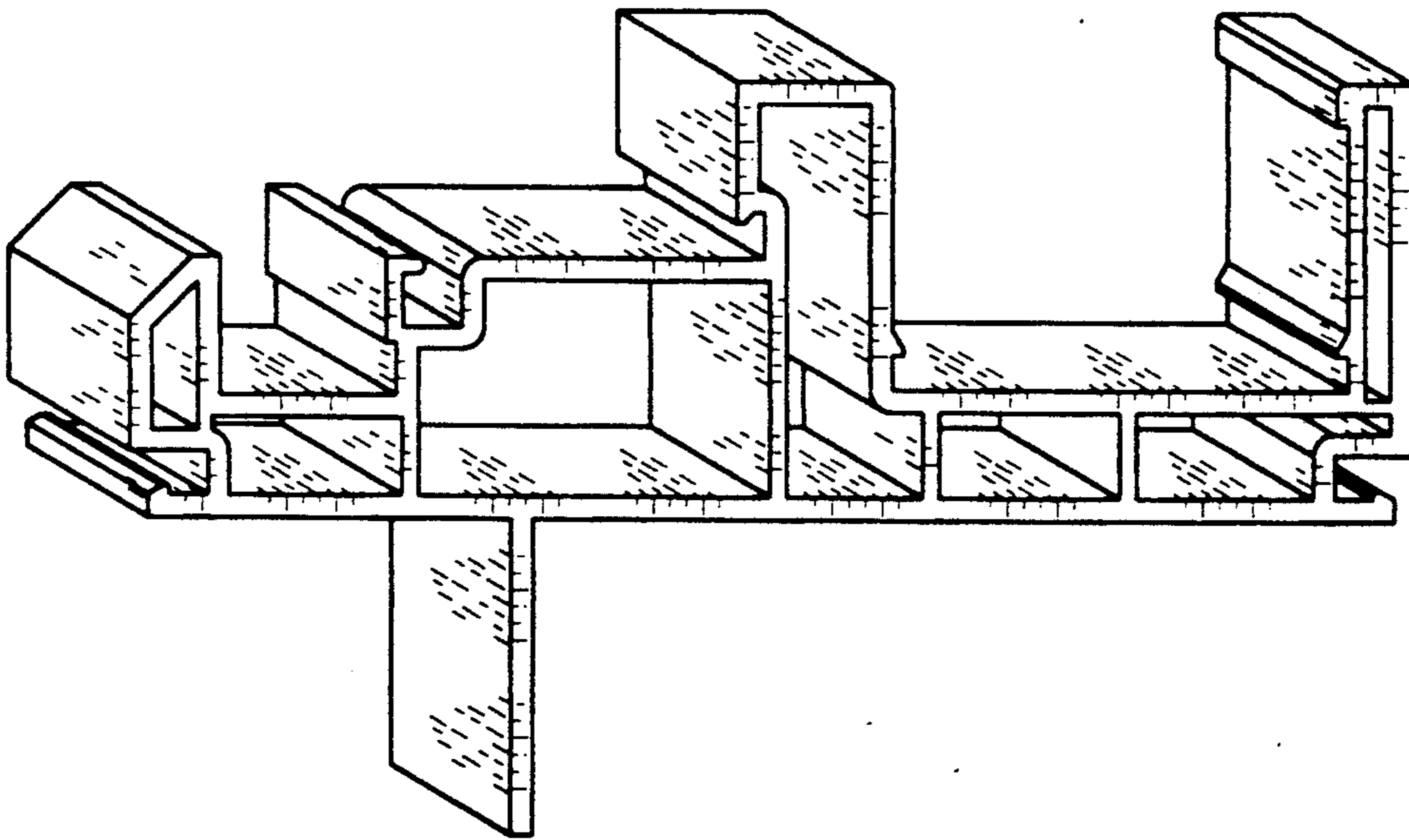
[57] CLAIM

The ornamental design for a window component extrusion, as shown and described.

DESCRIPTION

FIG. 1 is a perspective view of a window component extrusion showing my new design viewed from the top right; and,

FIG. 2 is a perspective view thereof viewed from the bottom left.



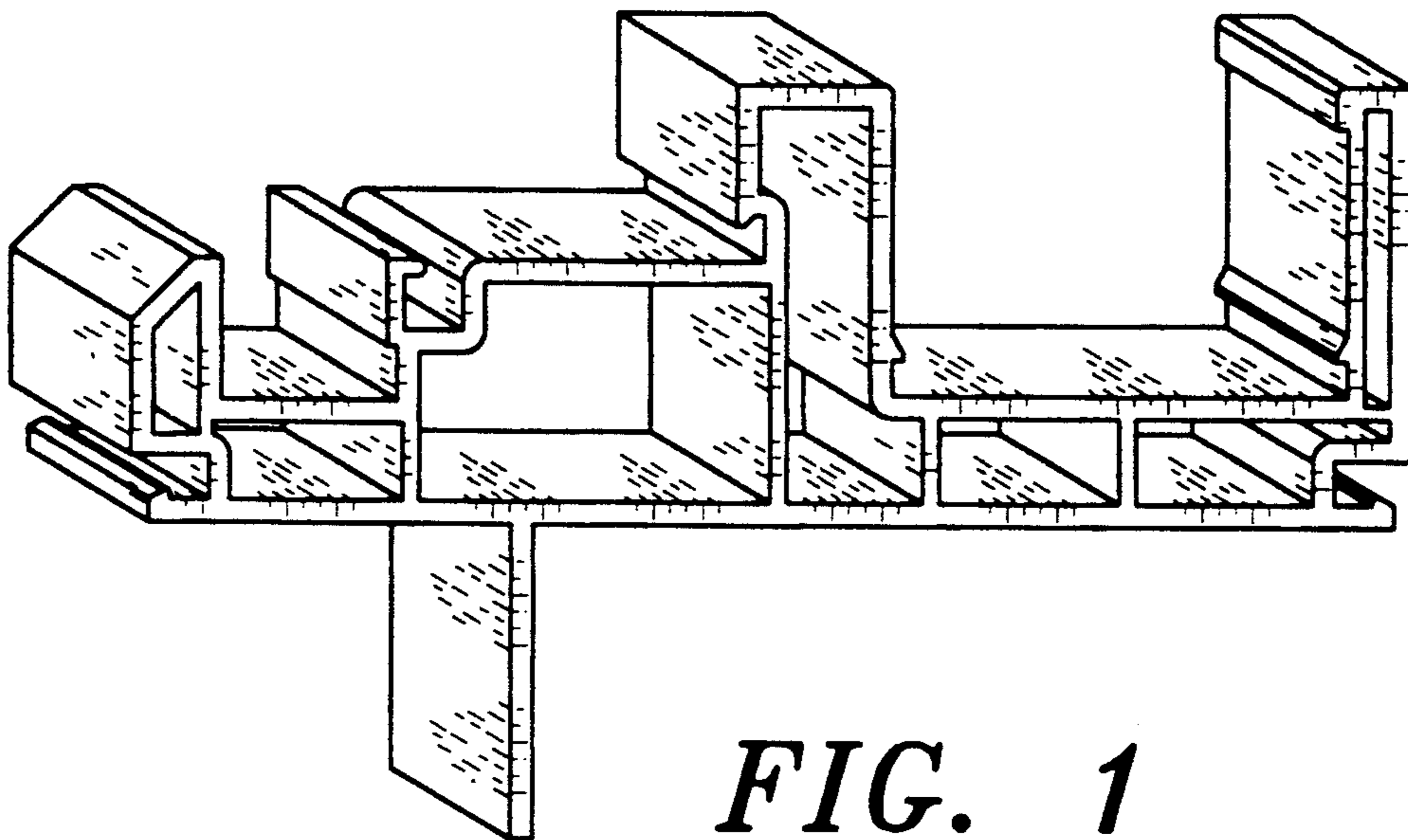


FIG. 1

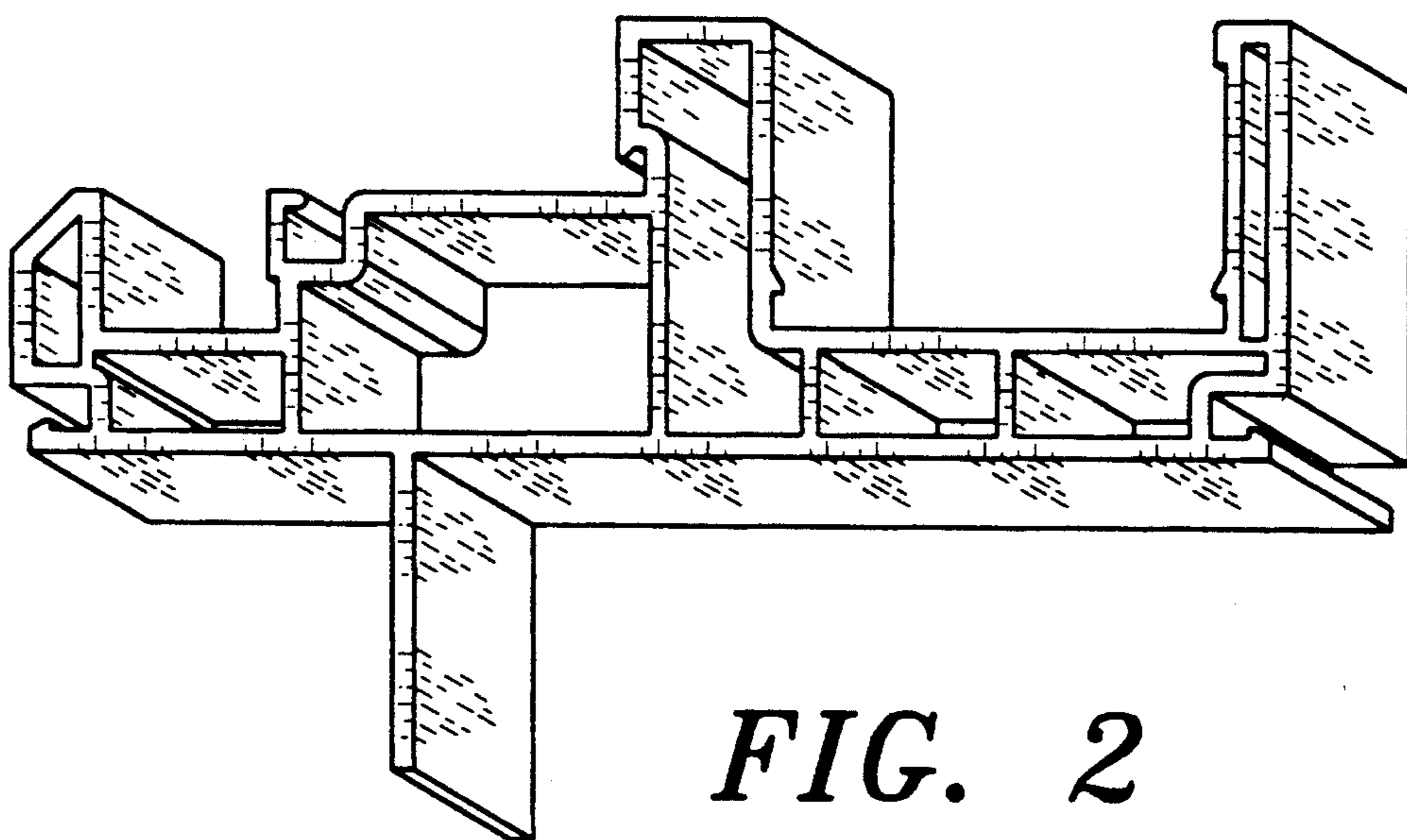


FIG. 2