



US00D343463S

United States Patent [19] Cole

[11] Patent Number: **Des. 343,463**

[45] Date of Patent: **** Jan. 18, 1994**

[54] WINDOW COMPONENT EXTRUSION

[75] Inventor: **Douglas L. Cole, Seattle, Wash.**

[73] Assignee: **Mikron Industries, Kent, Wash.**

[*] Notice: The portion of the term of this patent subsequent to Jan. 4, 2008 has been disclaimed.

[**] Term: **14 Years**

[21] Appl. No.: **745,363**

[22] Filed: **Aug. 14, 1991**

[52] U.S. Cl. **D25/124**

[58] Field of Search **49/501, 509, DIG. 2; D25/119-125, 52**

[56] **References Cited**

U.S. PATENT DOCUMENTS

D. 49,667	9/1916	Landine	D25/124
D. 263,753	4/1982	Dallaire	D25/124
D. 301,068	5/1989	Dallaire et al.	D25/124
D. 307,485	4/1990	Westphal et al.	D25/124

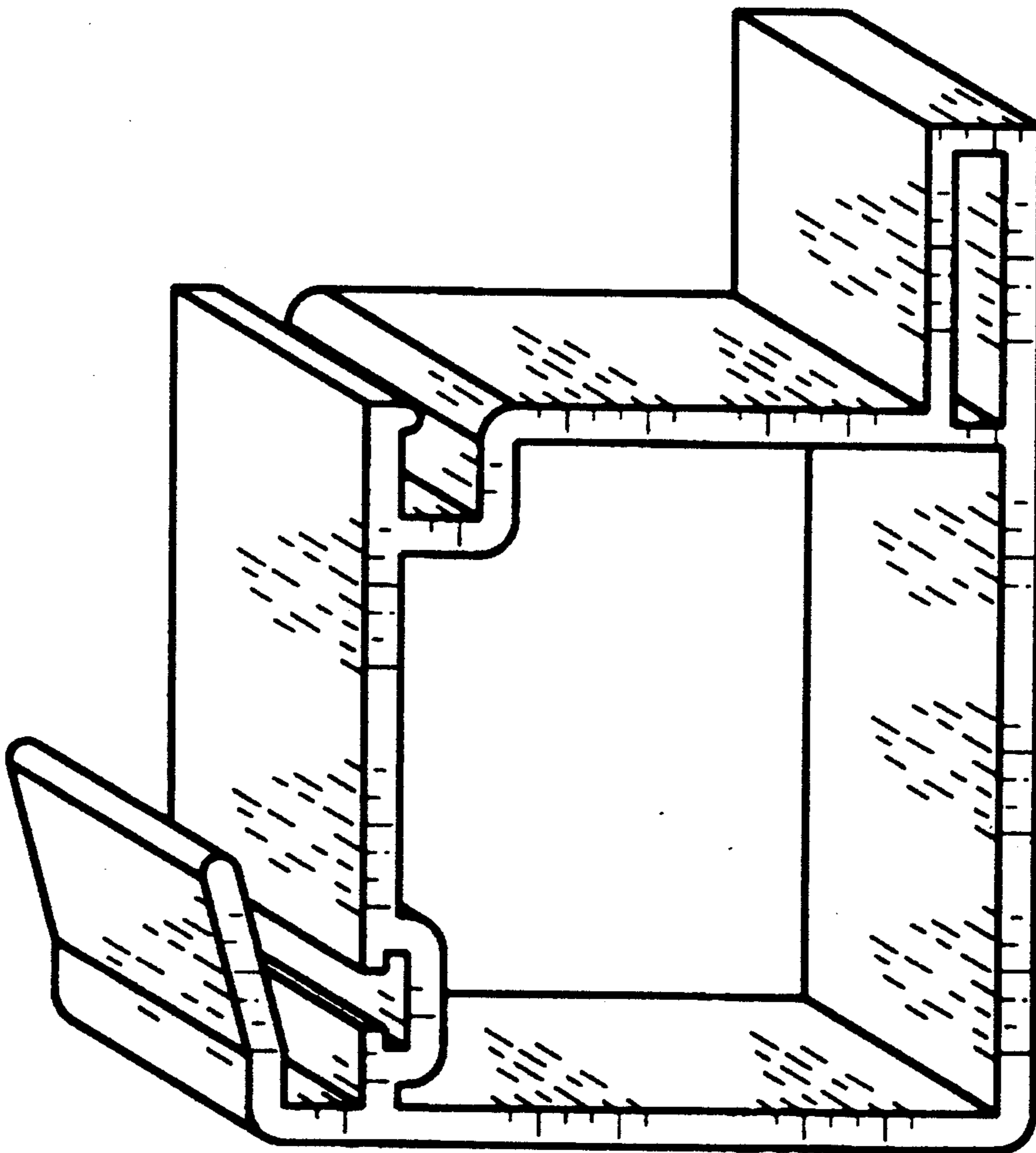
Primary Examiner—A. Hugo Word
Assistant Examiner—Doris Clark
Attorney, Agent, or Firm—Seed and Berry

[57] **CLAIM**

The ornamental design for a window component extrusion, as shown and described.

DESCRIPTION

FIG. 1 is a perspective view of a window component extrusion showing my new design viewed from the top right; and, FIG. 2 is a perspective view thereof viewed from the bottom left.



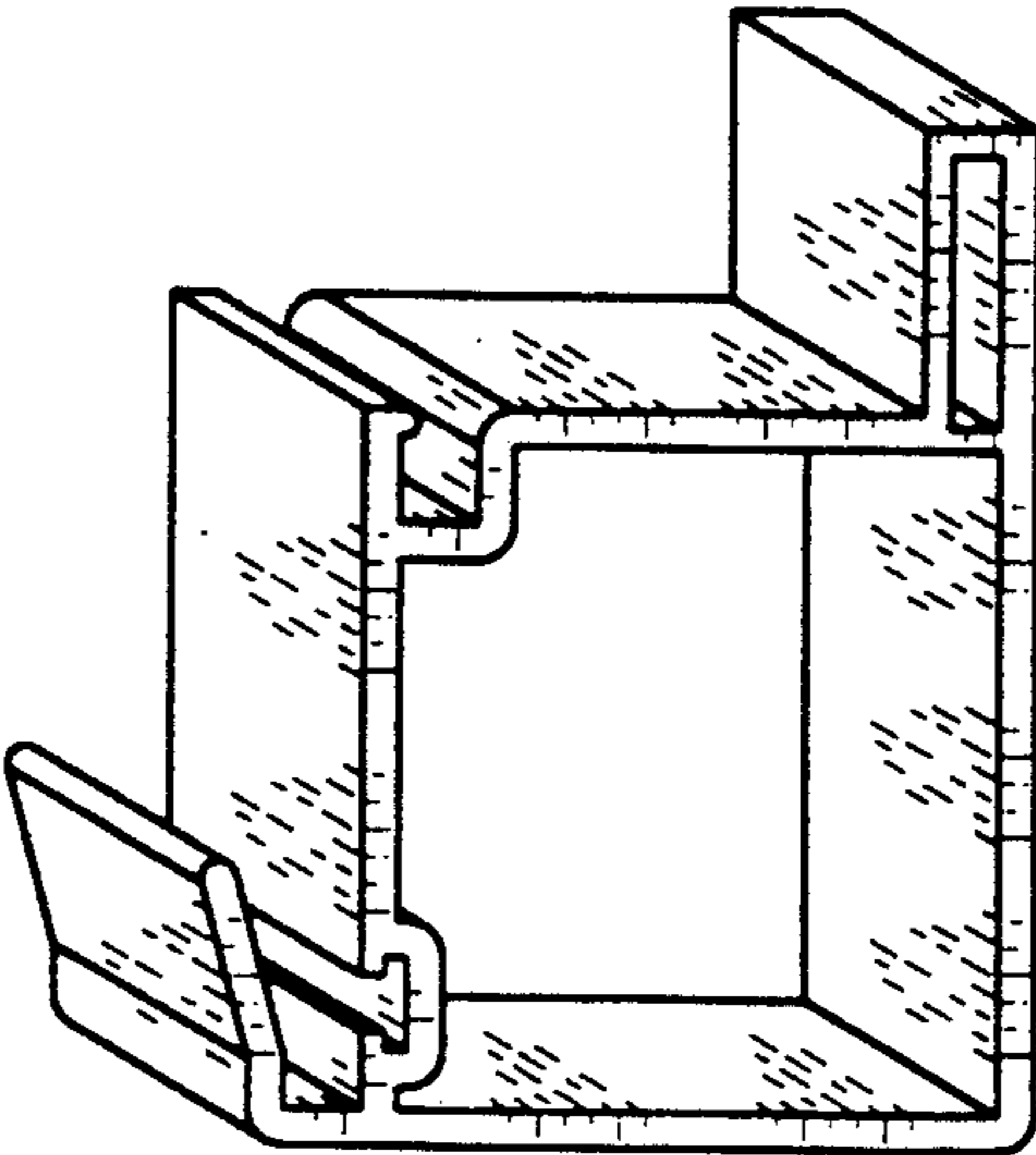


FIG. 1

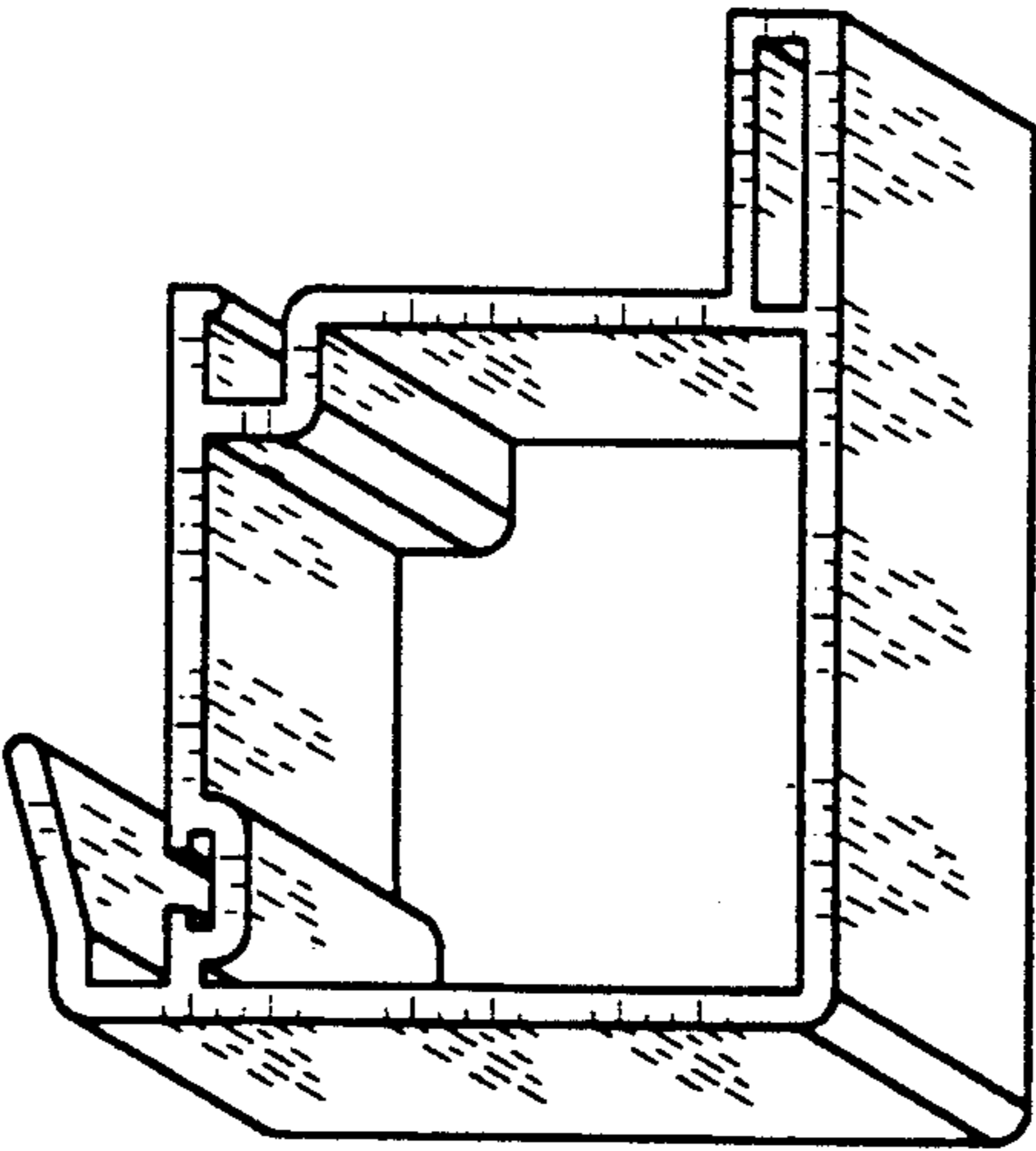


FIG. 2