



US00D343462S

United States Patent [19]
Cole

[11] **Patent Number: Des. 343,462**

[45] **Date of Patent: ** Jan. 18, 1994**

[54] **WINDOW COMPONENT EXTRUSION**

[56]

References Cited

U.S. PATENT DOCUMENTS

D. 301,068 5/1989 Dallaire et al. D25/124
D. 311,961 11/1990 Westphal et al. D25/124
4,739,600 4/1988 Lynch et al. 49/504

[75] **Inventor: Douglas L. Cole, Seattle, Wash.**

[73] **Assignee: Mikron Industries, Kent, Wash.**

Primary Examiner—A. Hugo Word
Assistant Examiner—Doris Clark
Attorney, Agent, or Firm—Seed and Berry

[**] **Term: 14 Years**

[57]

CLAIM

The ornamental design for a window component extrusion, as shown and described.

[21] **Appl. No.: 673,095**

DESCRIPTION

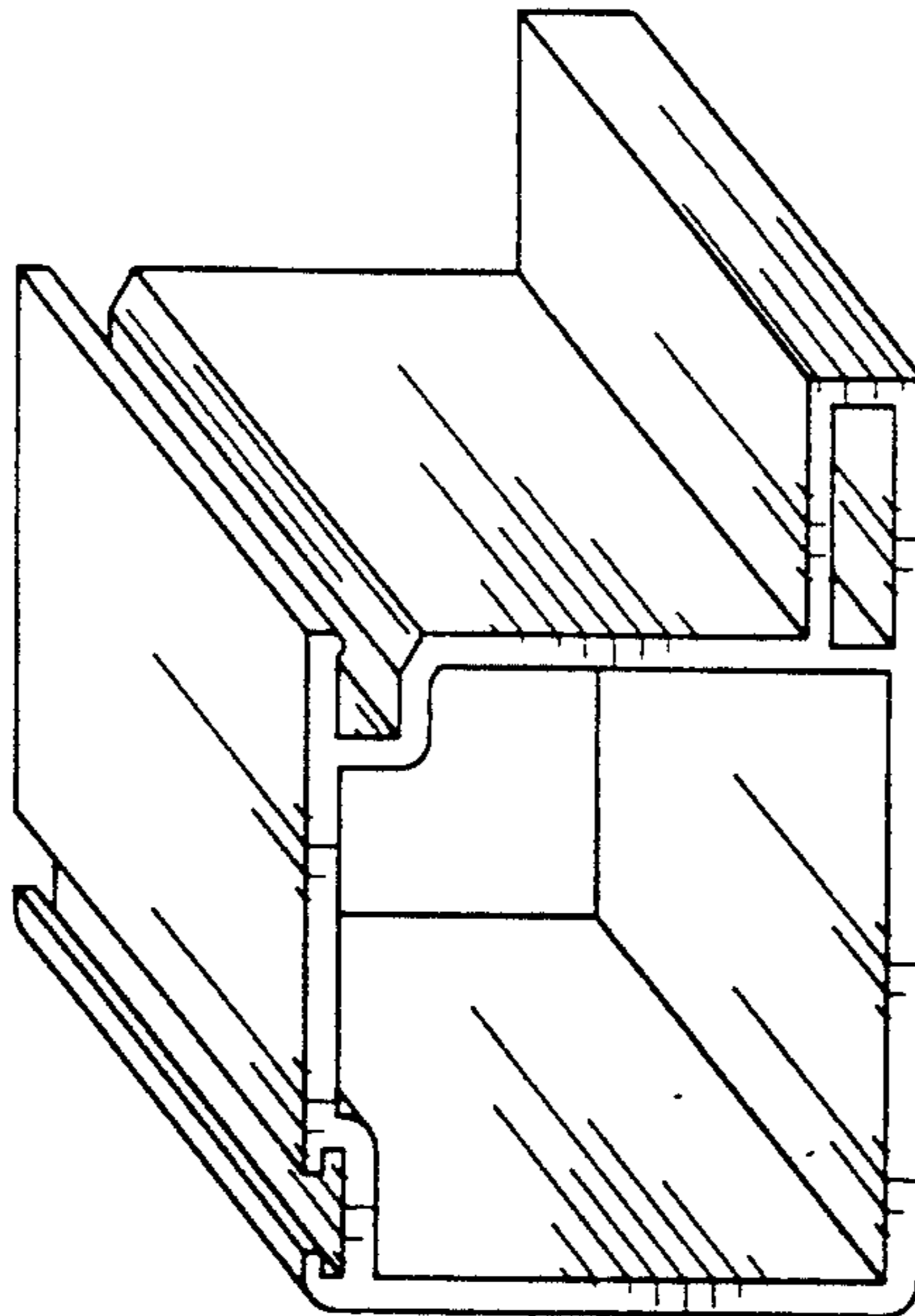
[22] **Filed: Mar. 20, 1991**

[52] **U.S. Cl. D25/124**

[58] **Field of Search 49/75, 501, 504, 404,
49/413, 419, DIG. 2; 52/202, 731, 735;
D25/119-125, 52**

FIG. 1 is a top, right, perspective view of a window component extrusion showing my new design, the window component extrusion being of indefinite length; and

FIG. 2 is a bottom, left, perspective view therefor.



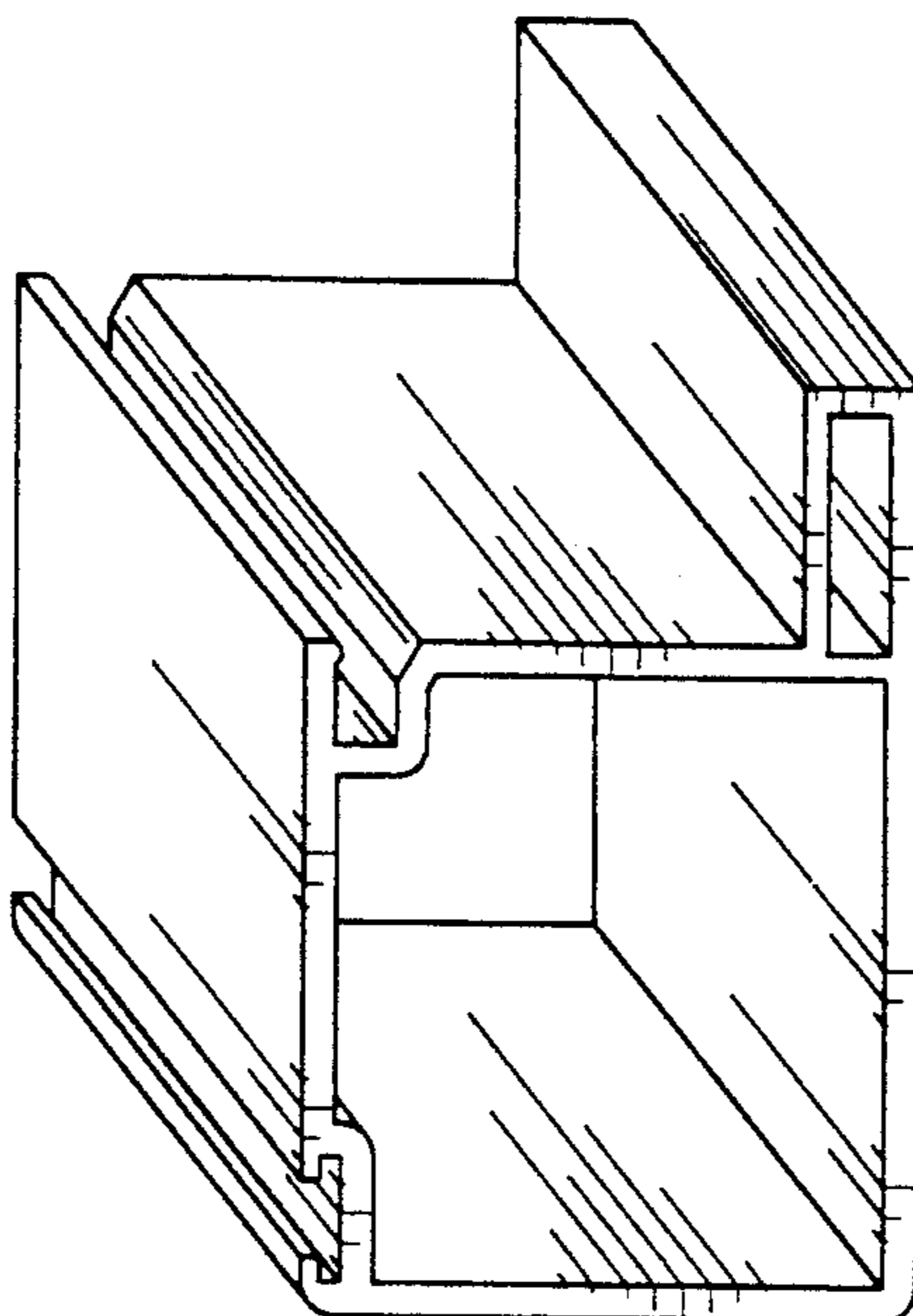


FIG. 1

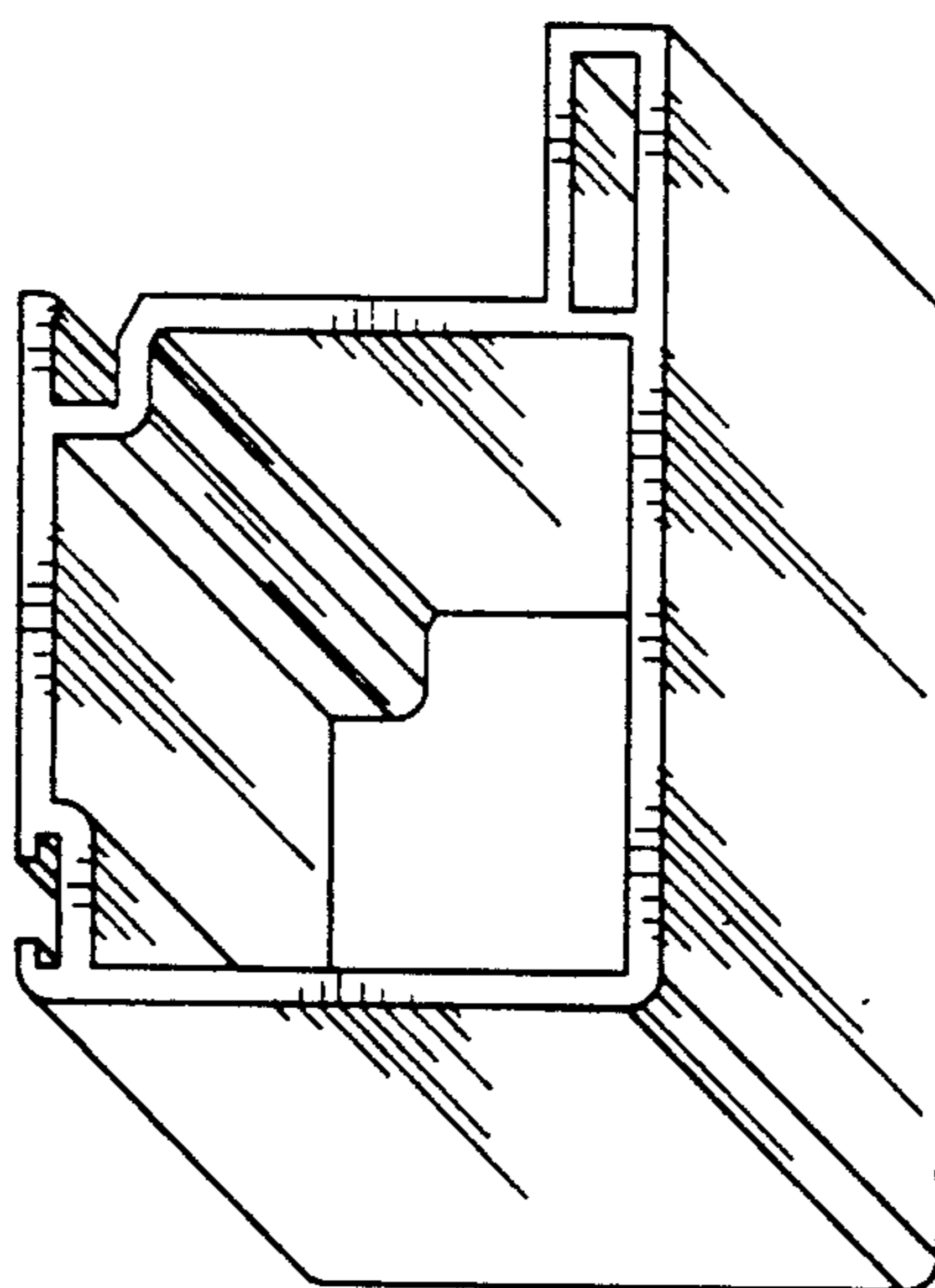


FIG. 2