



US00D343461S

United States Patent [19]
Powell

[11] **Patent Number: Des. 343,461**
[45] **Date of Patent: ** Jan. 18, 1994**

[54] **RETAINING WALL BLOCK**

[76] **Inventor: Arthur T. Powell, 824 N. 2nd West, Lehi, Utah 84043**

[**] **Term: 14 Years**

[21] **Appl. No.: 19**

[22] **Filed: Oct. 5, 1992**

[52] **U.S. Cl. D25/114**

[58] **Field of Search 52/596, 598, 602, 611, 52/589; 405/284, 286; D25/113-118**

[56] **References Cited**

U.S. PATENT DOCUMENTS

D. 203,590	2/1966	Davis	D25/113
D. 250,484	12/1978	Mose	D25/116
3,418,774	12/1968	Kocher et al.	52/608
3,998,022	12/1976	Mose	52/609
4,123,881	11/1978	Mose	52/611
4,229,123	10/1980	Heinzmann	52/608
4,794,749	1/1989	Marcel	52/589

OTHER PUBLICATIONS

"Light in the Hand . . . Heavy in the Wall" Brochure, 2 pages, by Stonewall Retaining Wall Systems and West-block Products, Inc. 1991.

"PISA II Interlocking Retaining Wall System" Brochure, 2 Pages, by PISA II and RISI Stone Ltd. 1988.
"PISA II Interlocking Retaining Wall System for Garden Landscaping" Brochure, 2 Pages, by PISA II and RISI Stone Ltd. 1984, 1985.

"Interlocking Retaining Walls From RISI Stone" Brochure, 2 Pages, by Rothbury Investments Ltd. and RISI Stone Ltd. 1989.

"Garden Wall, Another Quality Product From Keystone Retaining Wall Systems" Brochure, 2 Pages, by Keystone Retaining Wall Systems ©1991.

Primary Examiner—A. Hugo Word

Assistant Examiner—Doris Clark

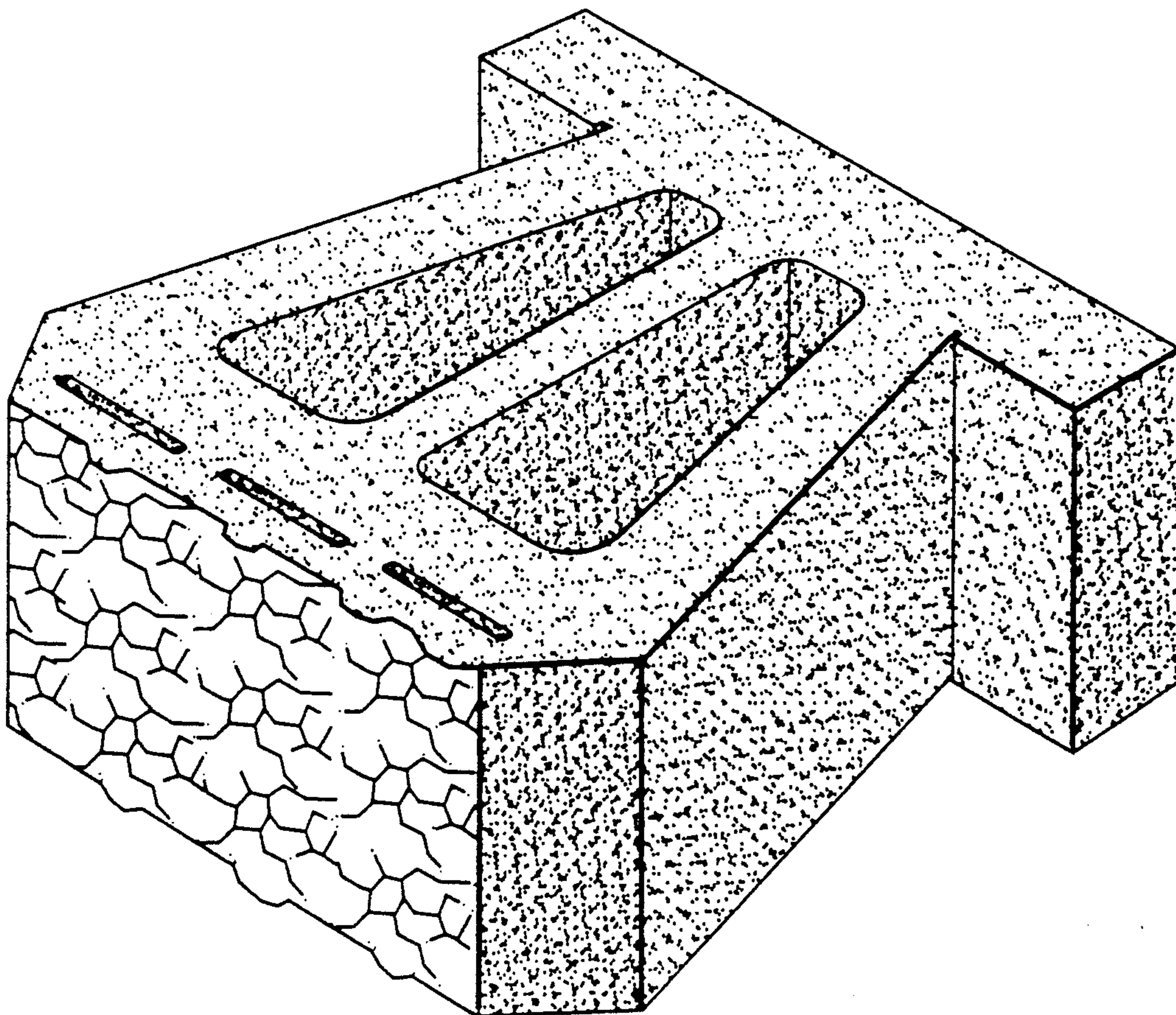
Attorney, Agent, or Firm—M. Reid Russell

[57] **CLAIM**

The ornamental design for a retaining wall block, as shown and described.

DESCRIPTION

FIG. 1 is a right side perspective view of a retaining wall block showing my new design;
FIG. 2 is a top plan view;
FIG. 3 is a right side elevation view, the left side view being a mirror image thereof;
FIG. 4 is a front elevation view; and,
FIG. 5 is a rear elevation view.



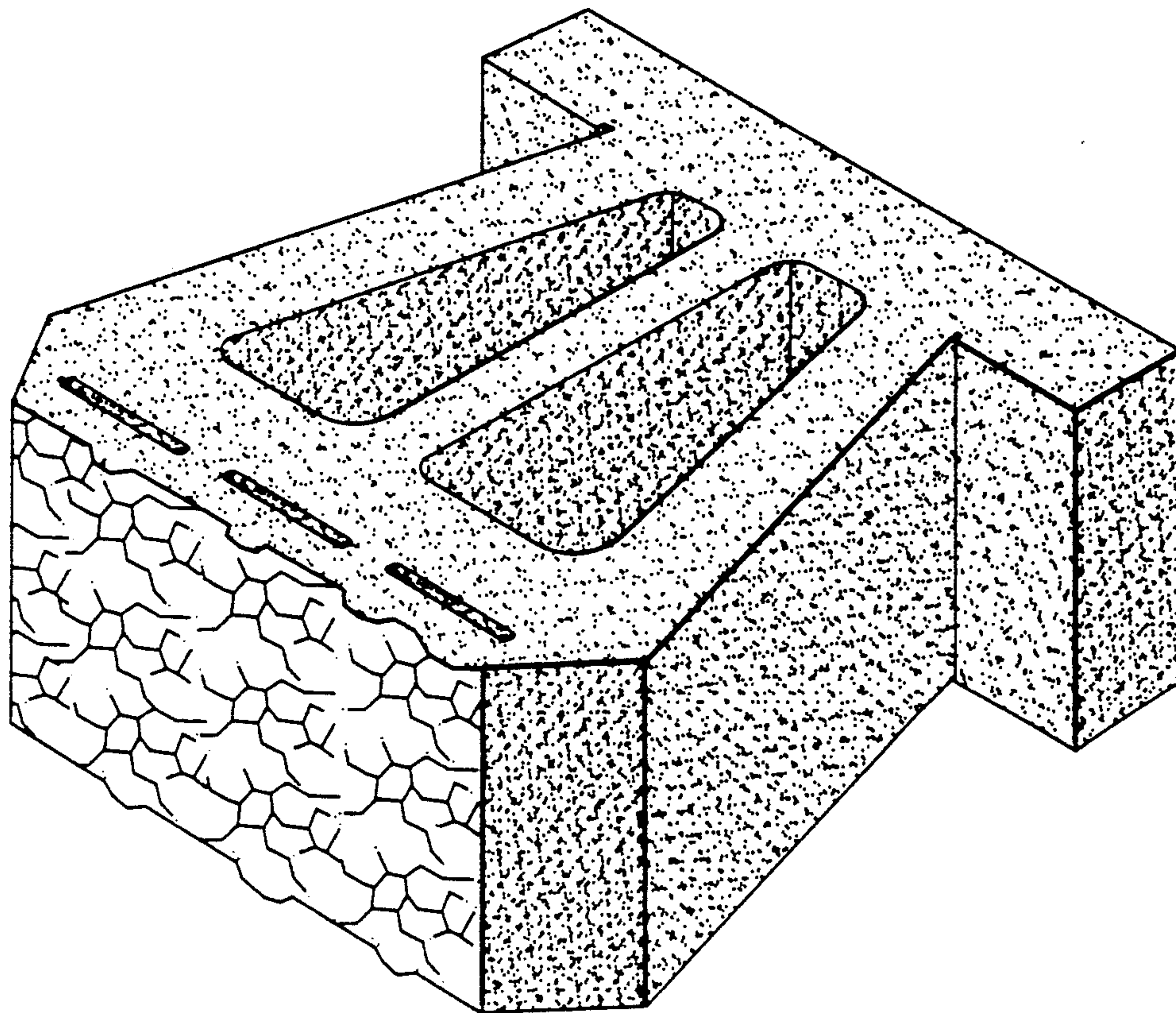


FIG. 1

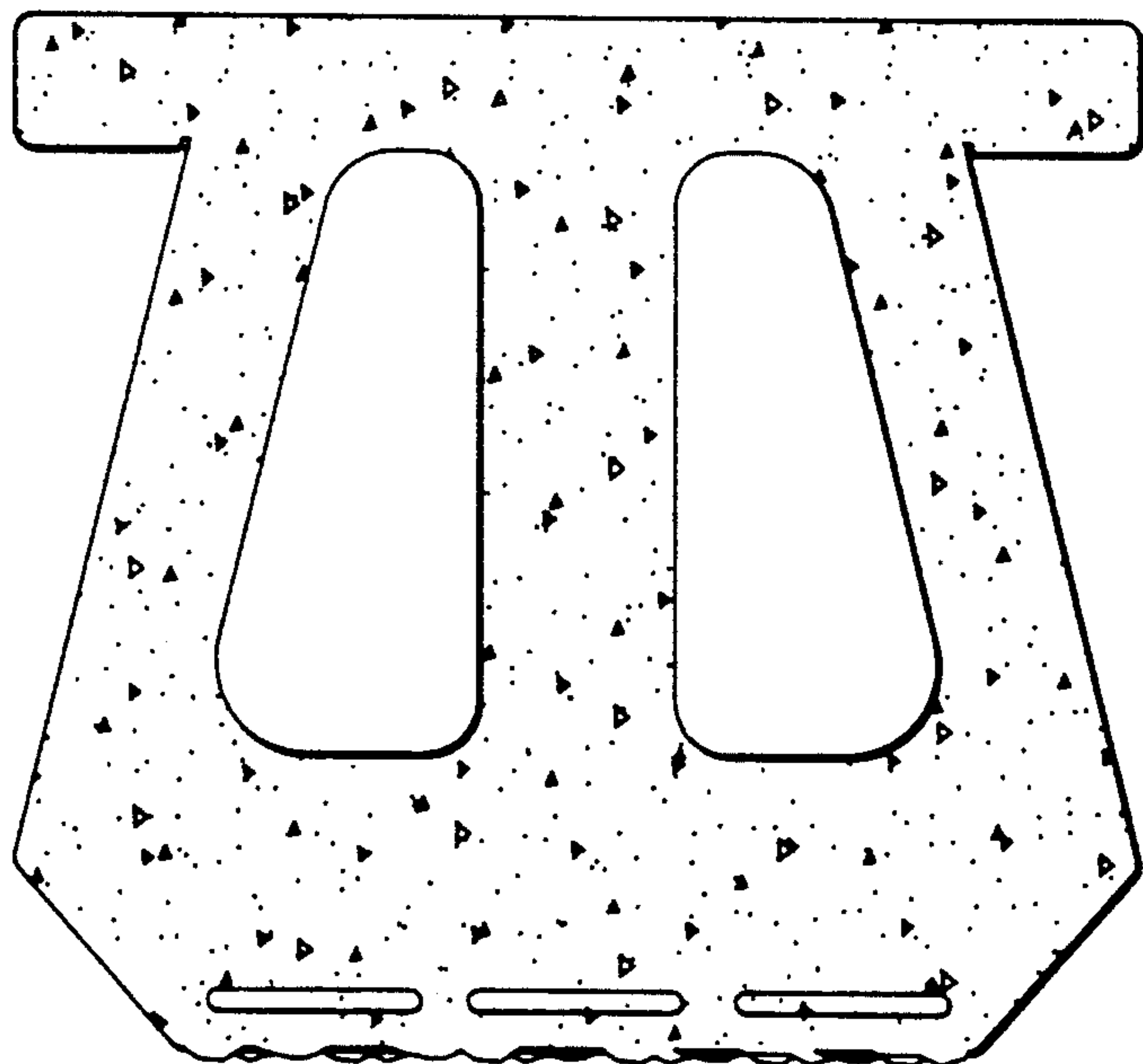


FIG. 2

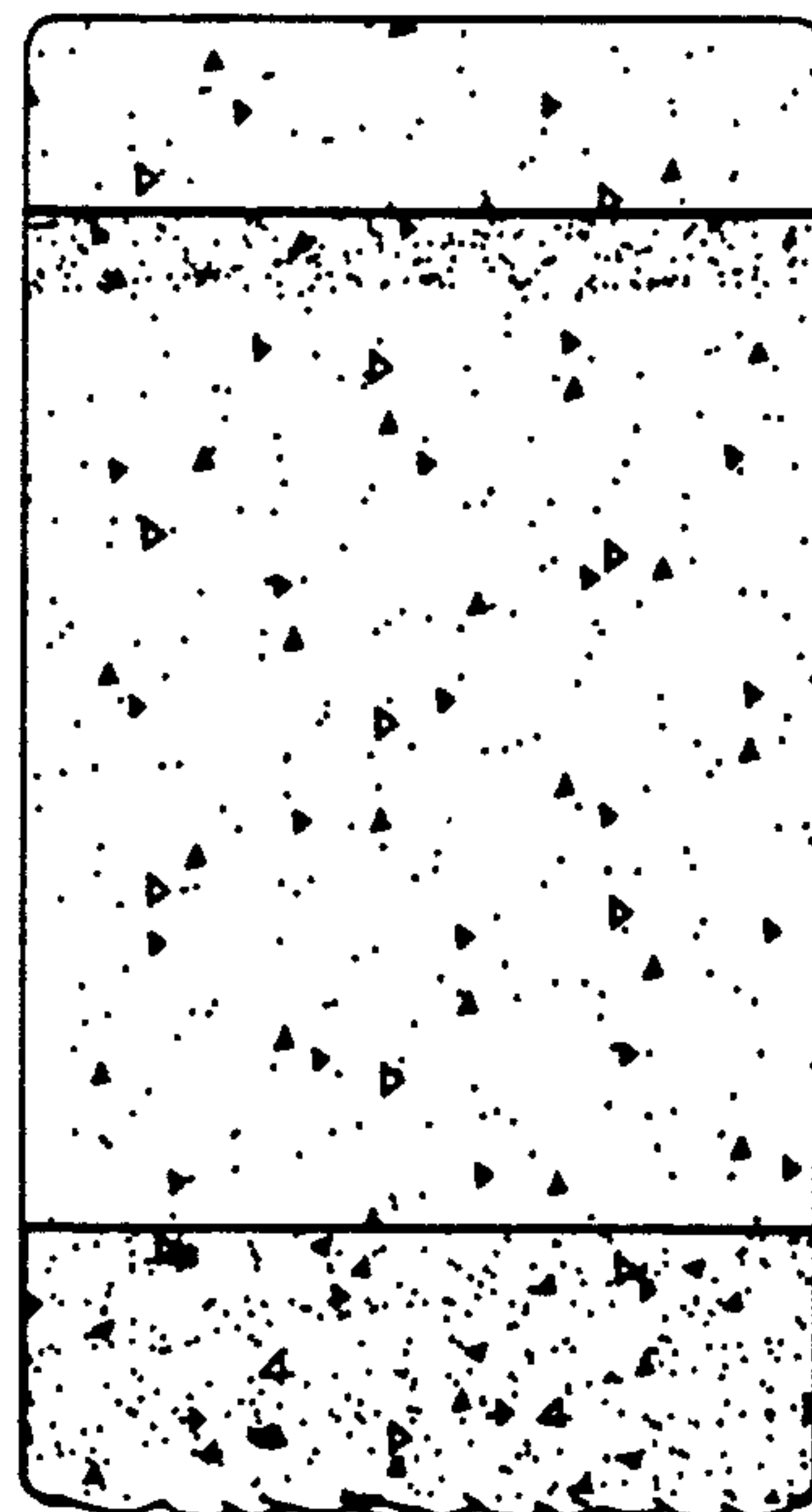


FIG. 3

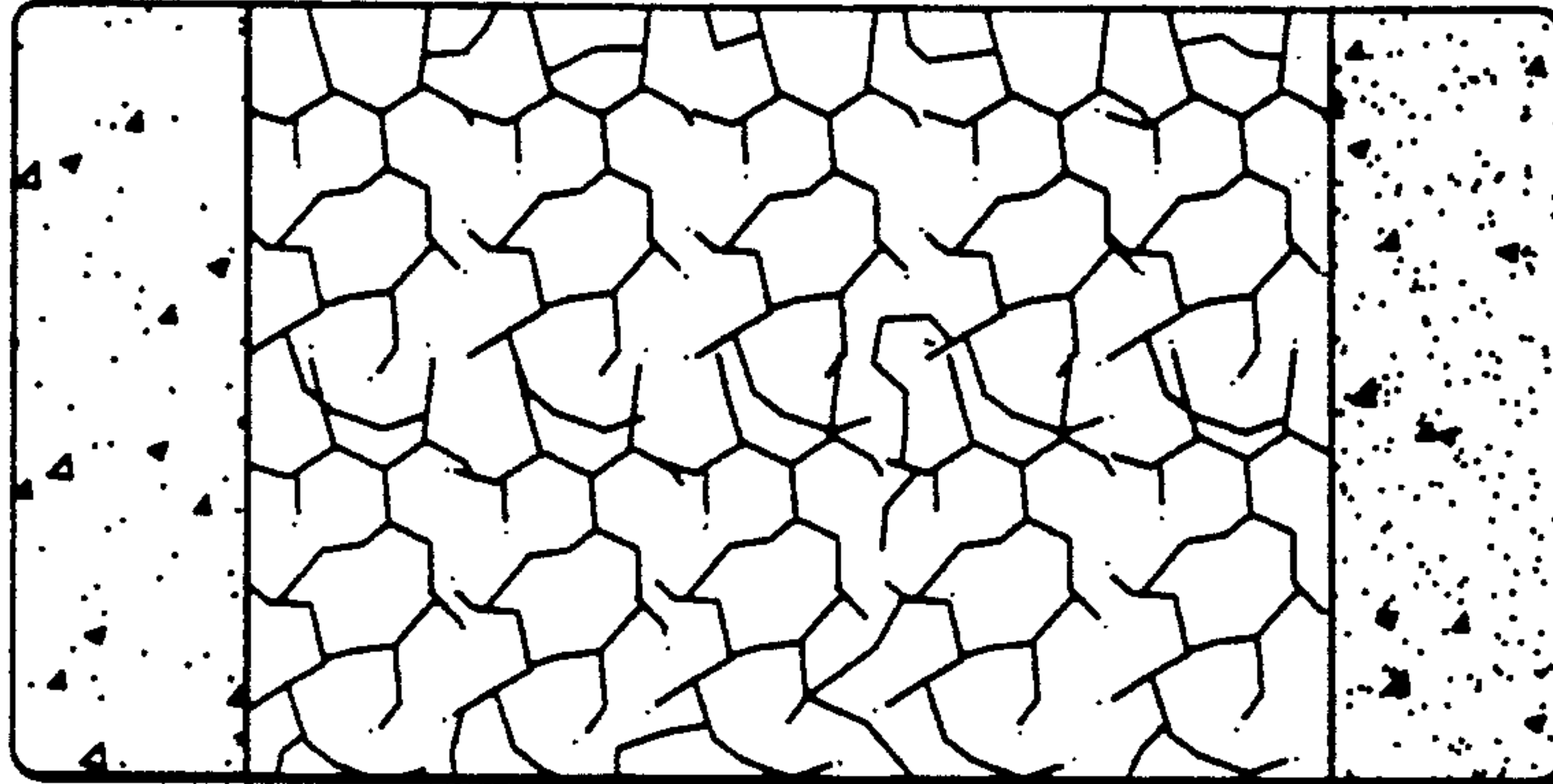


FIG. 4

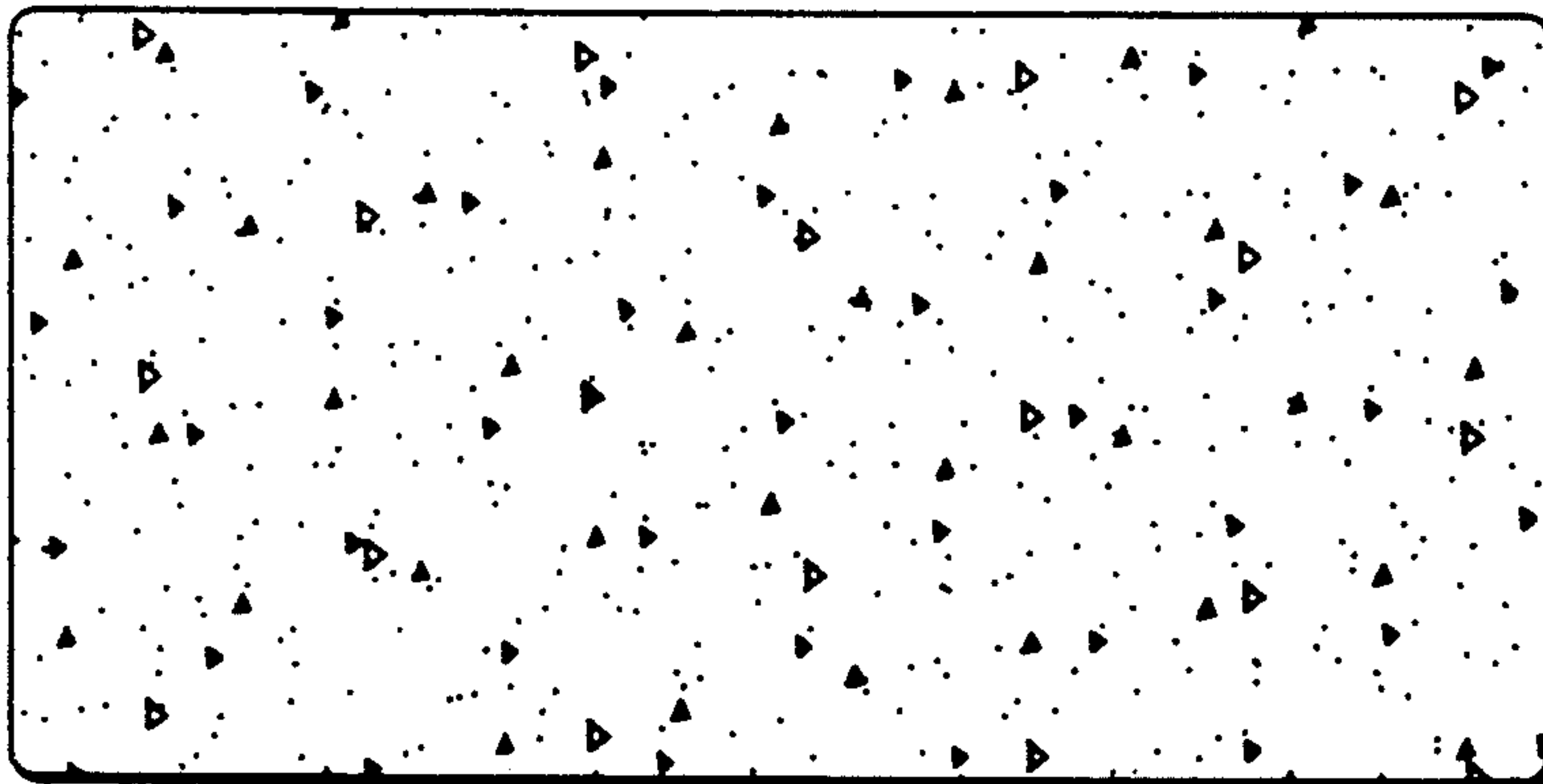


FIG. 5