



US00D343457S

United States Patent [19]

[11] Patent Number: **Des. 343,457**

Stalec et al.

[45] Date of Patent: **** Jan. 18, 1994**

[54] **HEATABLE BLOCK FOR LABORATORY SAMPLES**

2,932,718	4/1960	Marsters	219/521
3,737,627	6/1973	Willard et al.	219/385 X
4,287,408	9/1981	Wilson	219/521 X

[75] Inventors: **Lawrence W. Stalec**, Elk Grove Village, Ill.; **Bruce M. Morical**, Santa Ana, Calif.; **Sandra L. Finley**, Chicago, Ill.

OTHER PUBLICATIONS

VWR Scientific Catalog "Heater Blocks" items lower left corner p. 891 ©1989 Ex Room.

[73] Assignee: **Lab-Line Instruments, Inc.**, Melrose Park, Ill.

Primary Examiner—A. Hugo Word
Assistant Examiner—I. Simmons
Attorney, Agent, or Firm—Emrich & Dithmar

[**] Term: **14 Years**

[21] Appl. No.: **656,640**

[22] Filed: **Feb. 19, 1991**

[52] U.S. Cl. **D24/216; D24/227; D24/232**

[57] CLAIM

The ornamental design for a heatable block for laboratory samples, as shown and described.

[58] Field of Search 435/287, 290, 809; D7/553, 554, 555; 219/521, 520, 385; D24/227, 231, 232, 163; D19/20, 21; D25/113, 118; D21/108; D28/8.1

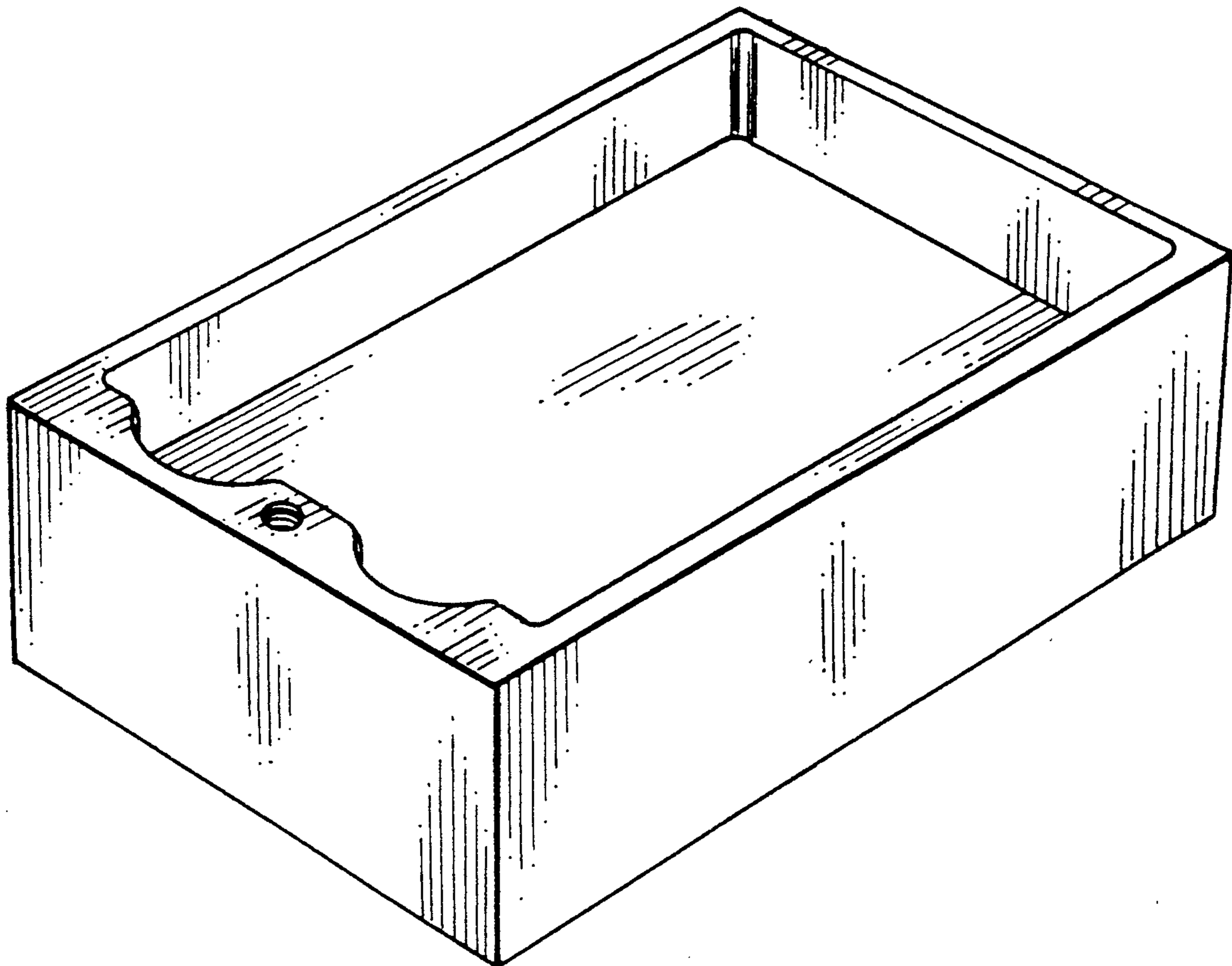
DESCRIPTION

FIG. 1 is a perspective view of the heatable block for laboratory samples;
FIG. 2 is a top plan view of the heatable block for laboratory samples;
FIG. 3 is an end elevational view of one end thereof, the other end being identical;
FIG. 4 is a side elevational view of one side thereof, the other side being identical; and,
FIG. 5 is a bottom plan view thereof.

[56] References Cited

U.S. PATENT DOCUMENTS

D. 206,876	2/1967	Newman	D24/232
D. 229,048	11/1973	Newman	D24/216



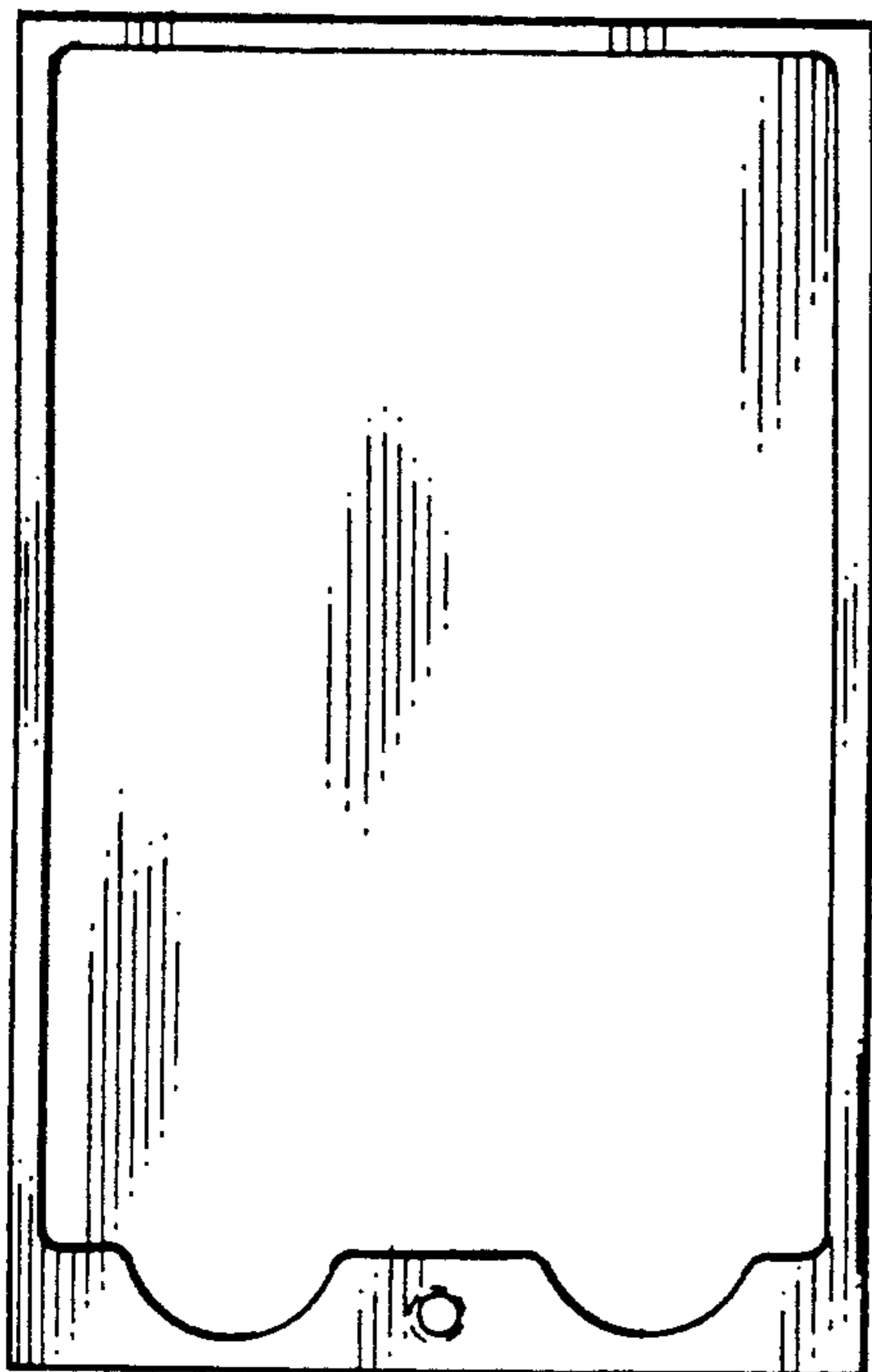


FIG. 2

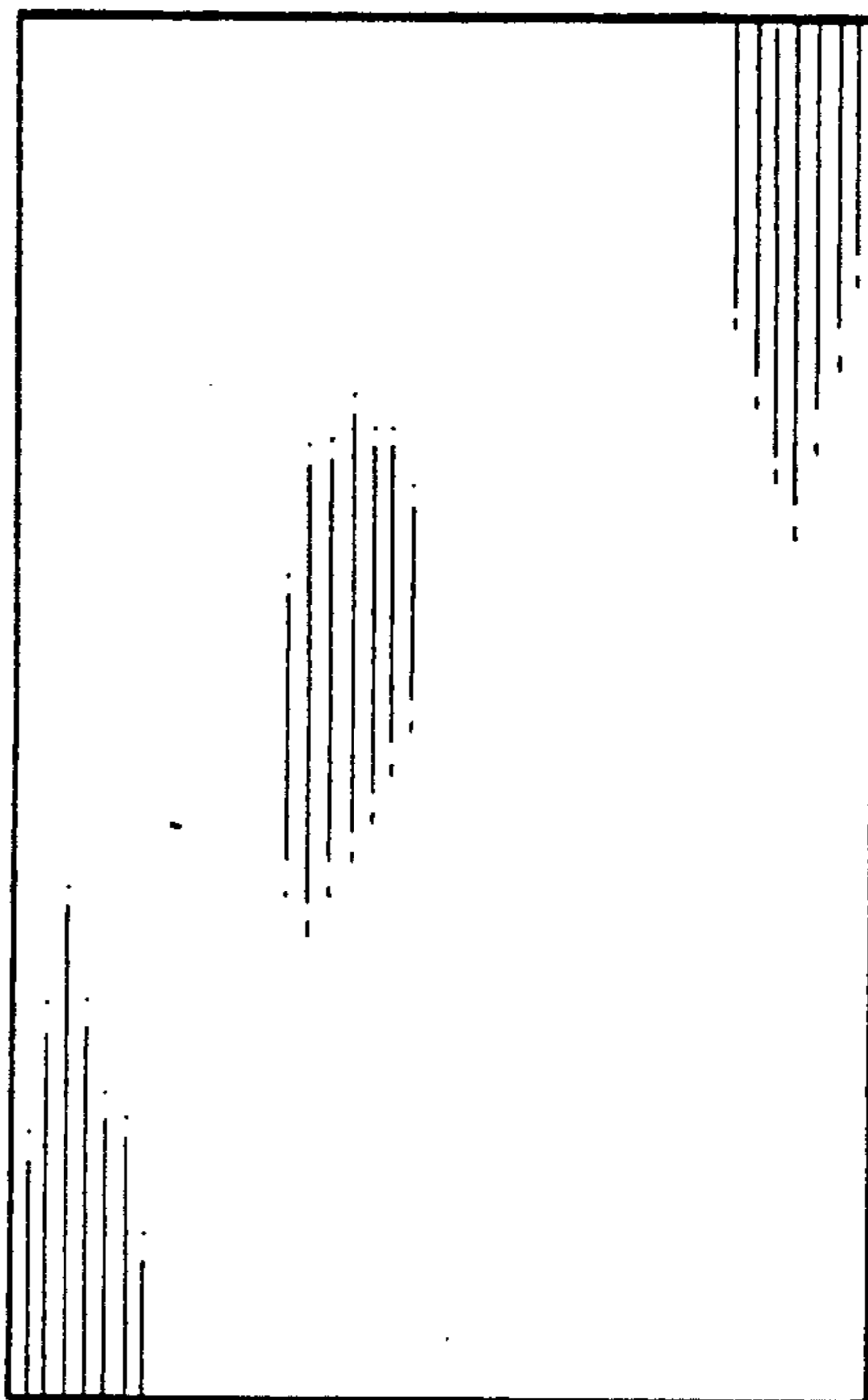


FIG. 5

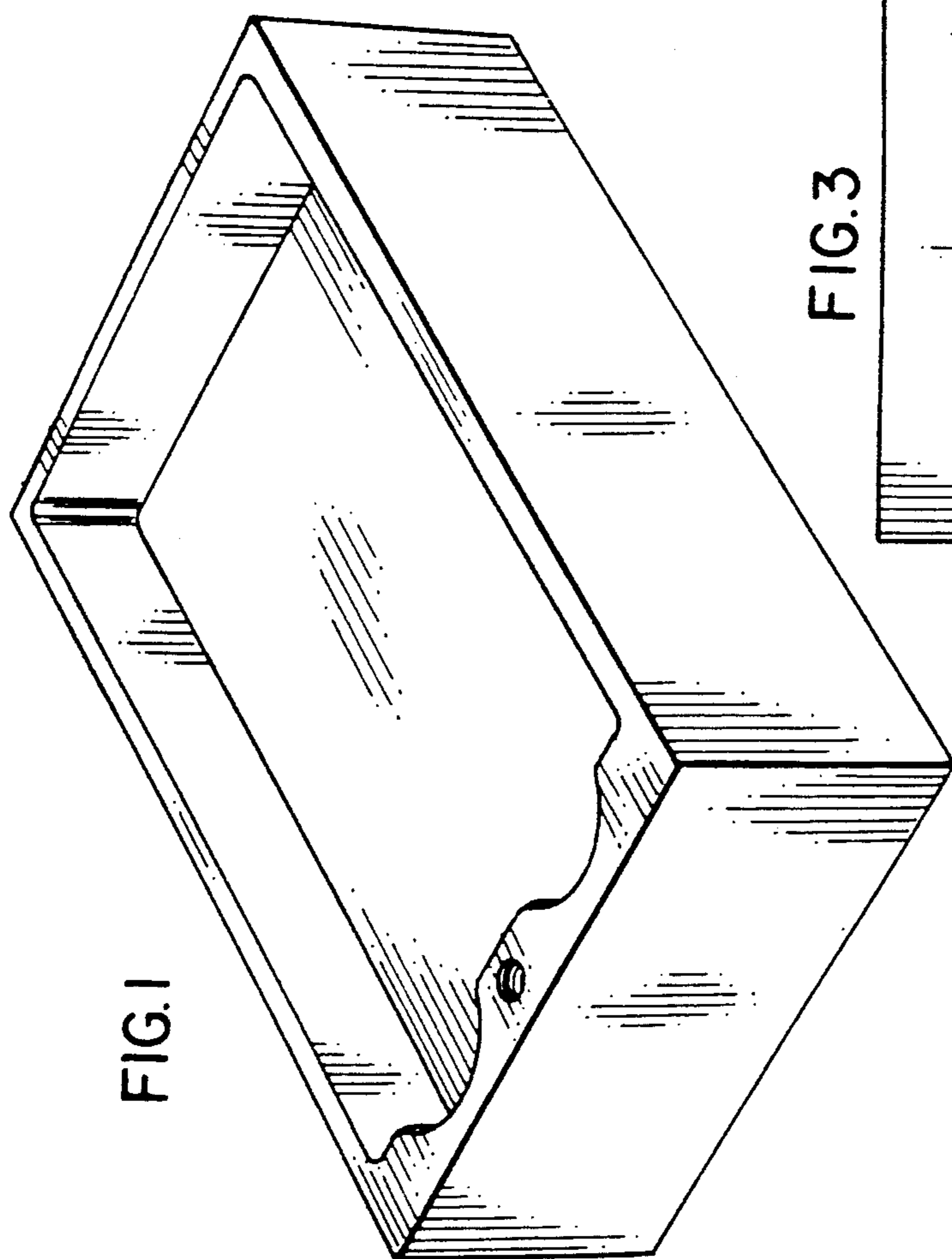


FIG. 1

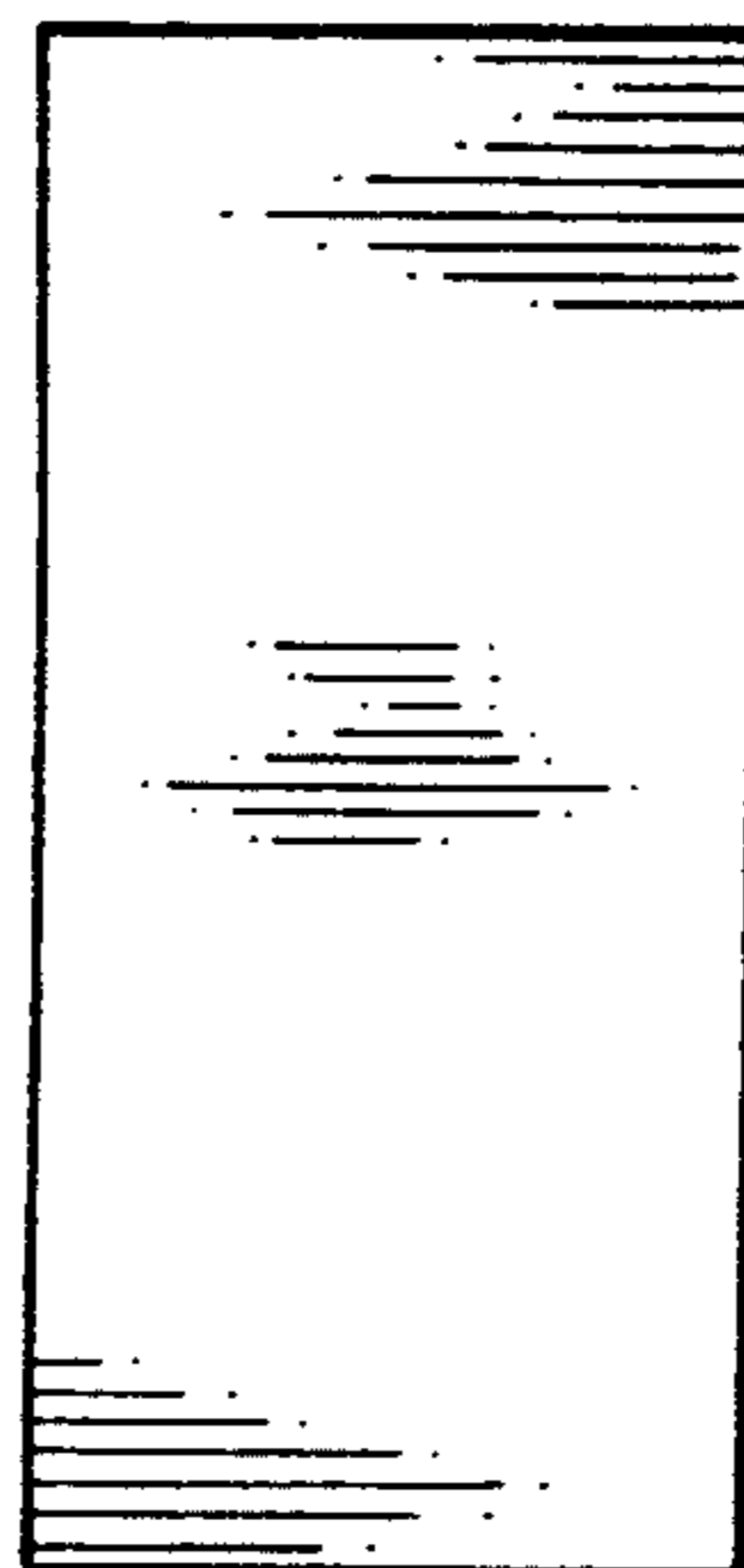


FIG. 3

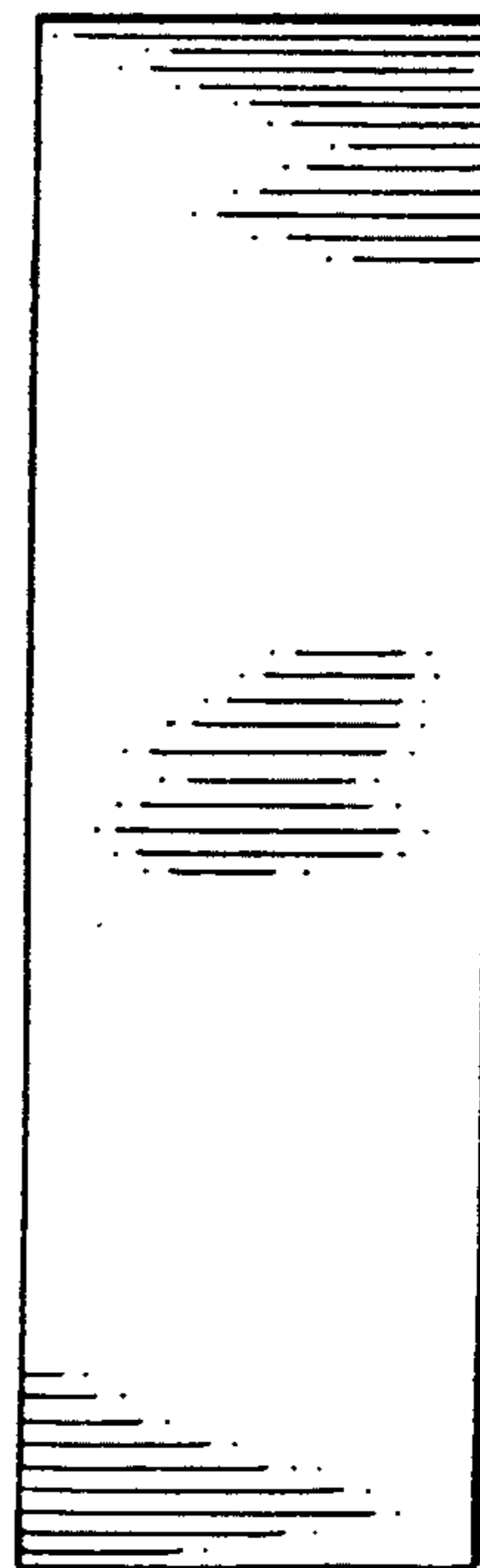


FIG. 4