



US00D343451S

United States Patent [19]

[11] Patent Number: **Des. 343,451**

Voychehovski

[45] Date of Patent: **** Jan. 18, 1994**

[54] **ORAL MEDICATION CUP**

Assistant Examiner—I. Simmons

[76] Inventor: **Tom Voychehovski**, 4734 Caldwell Mill Rd., Birmingham, Ala. 35243

Attorney, Agent, or Firm—Veal & Associates

[**] Term: **14 Years**

[57] **CLAIM**

[21] Appl. No.: **814,673**

The ornamental design for an oral medication cup, as shown and described.

[22] Filed: **Dec. 30, 1991**

DESCRIPTION

[52] U.S. Cl. **D24/121; D7/317; D24/117**

FIG. 1 is a front perspective view of an oral medication cup showing my new design;

[58] Field of Search **D7/510, 511, 316, 317, D7/598; 229/1.5 B, 1.5 H; 220/375, 521, 522; 604/78, 77; D24/121, 117**

FIG. 2 is a rear perspective view thereof;

FIG. 3 is a top plan view thereof;

FIG. 4 is a bottom plan view thereof;

FIG. 5 is a side elevational view thereof;

FIG. 6 is a side elevational view of the side opposite that shown in FIG. 5;

FIG. 7 is a front elevational view thereof;

FIG. 8 is a rear elevational view thereof;

FIG. 9 is a sectional view taken along line 9—9 of FIG. 5;

FIG. 10 is a side elevational view thereof shown in open position, the opposite side elevational view being identical thereto; and,

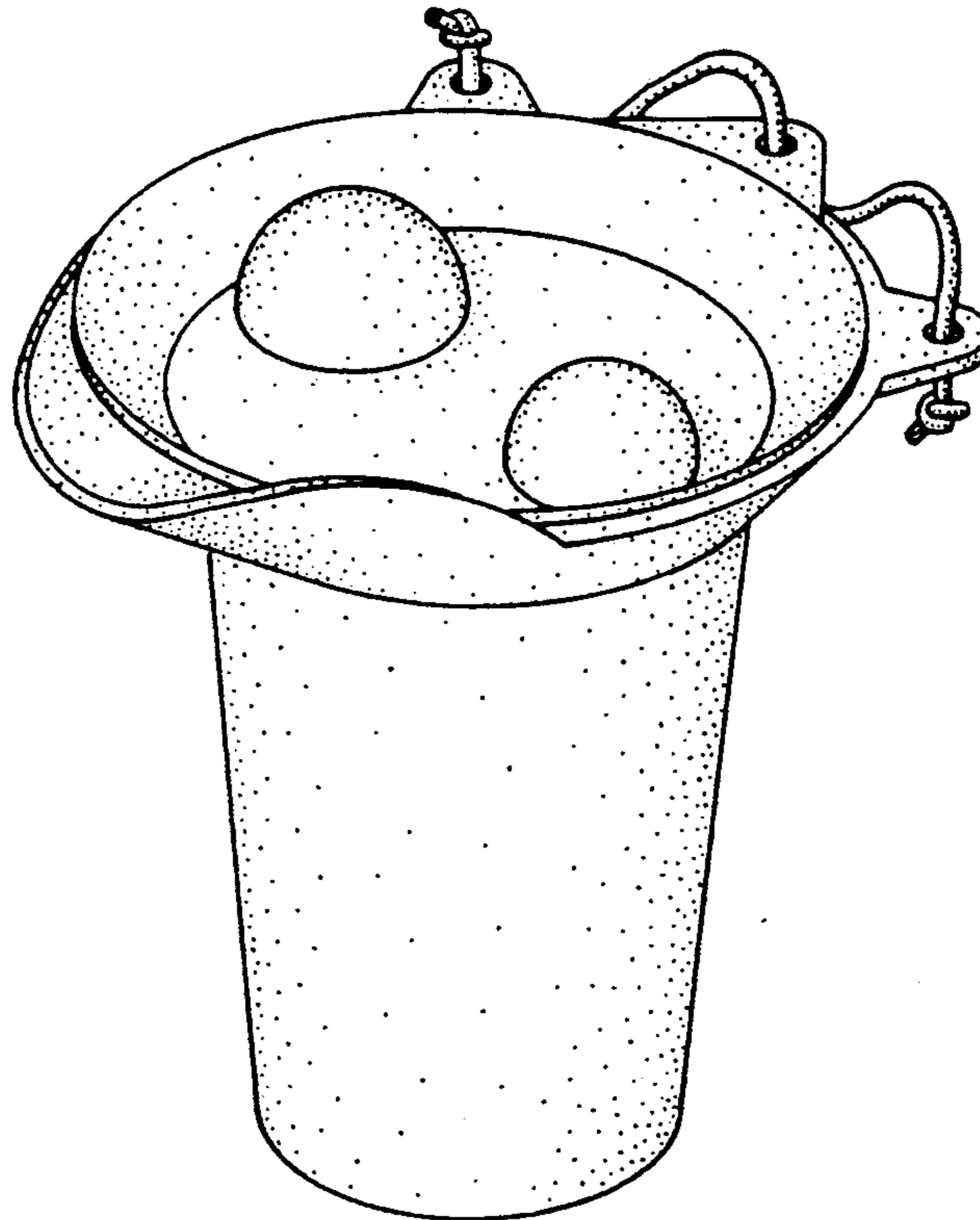
FIG. 11 is a top plan view.

[56] **References Cited**

U.S. PATENT DOCUMENTS

D. 201,632	7/1965	Wirkkala	D7/317
D. 215,749	10/1969	Adler	D7/317
D. 285,515	9/1986	Papciak	D7/317
4,047,648	9/1977	Croyle	220/375 X
4,643,326	2/1987	Klingler	220/375 X

Primary Examiner—A. Hugo Word



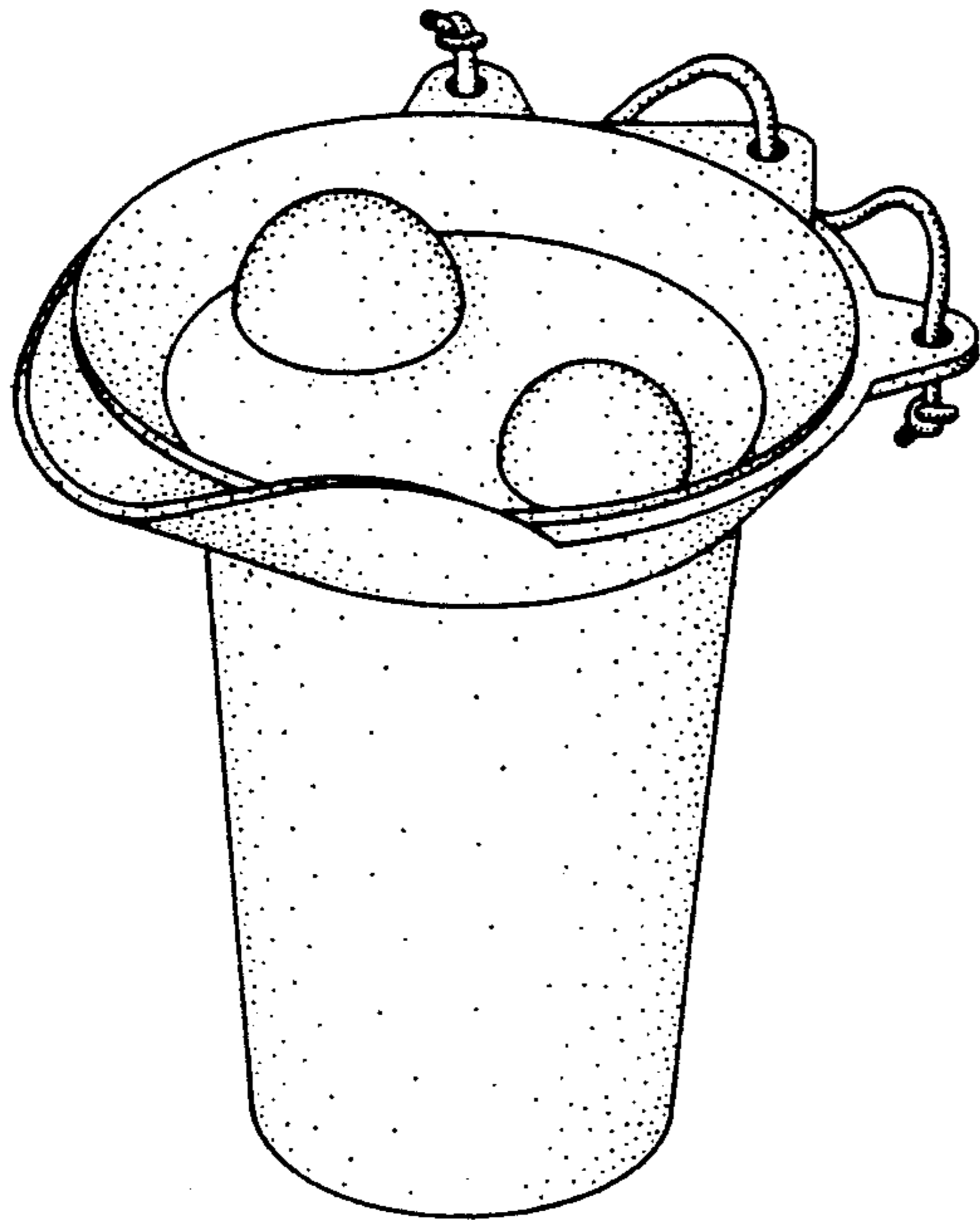


FIG. 1

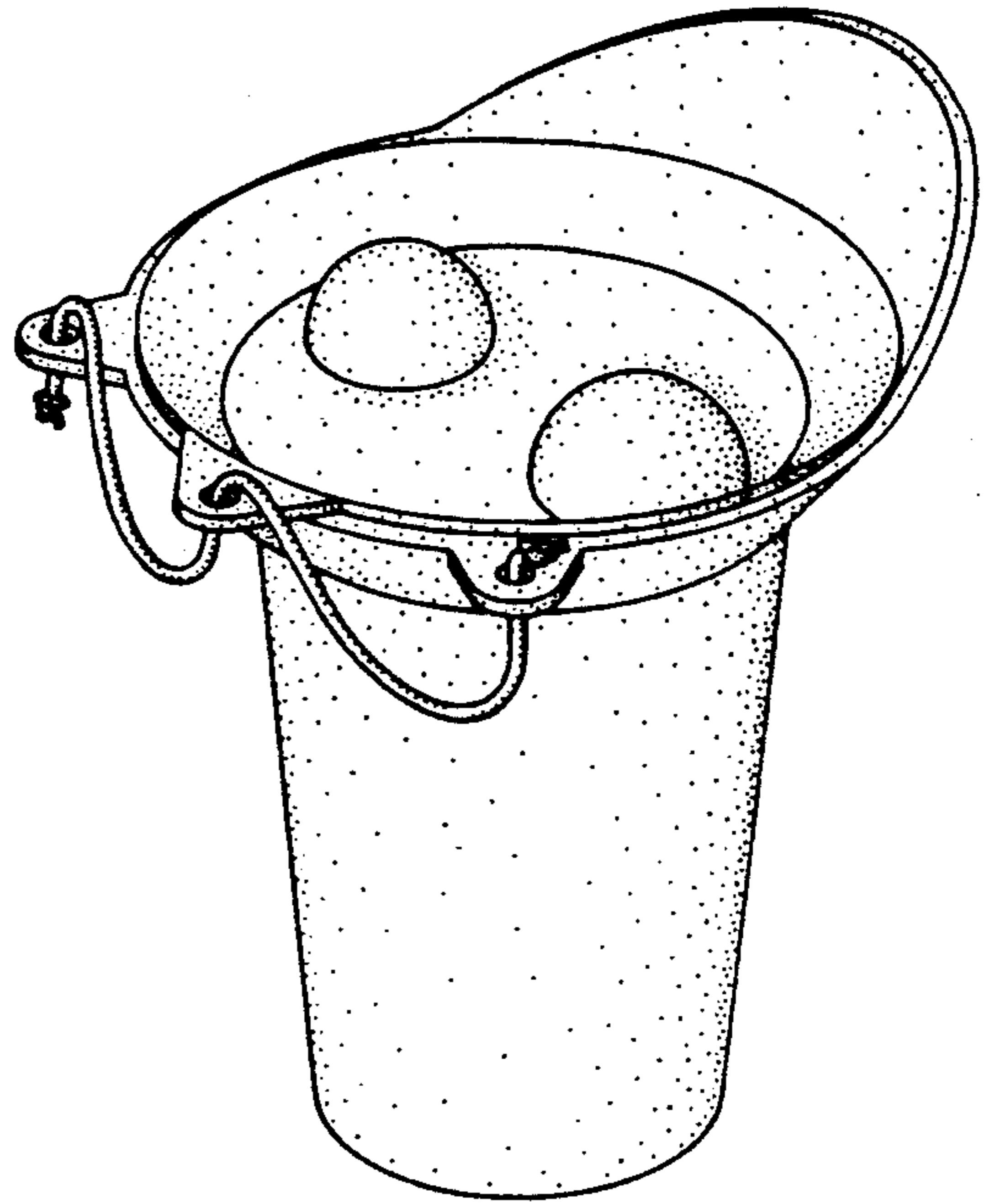


FIG. 2

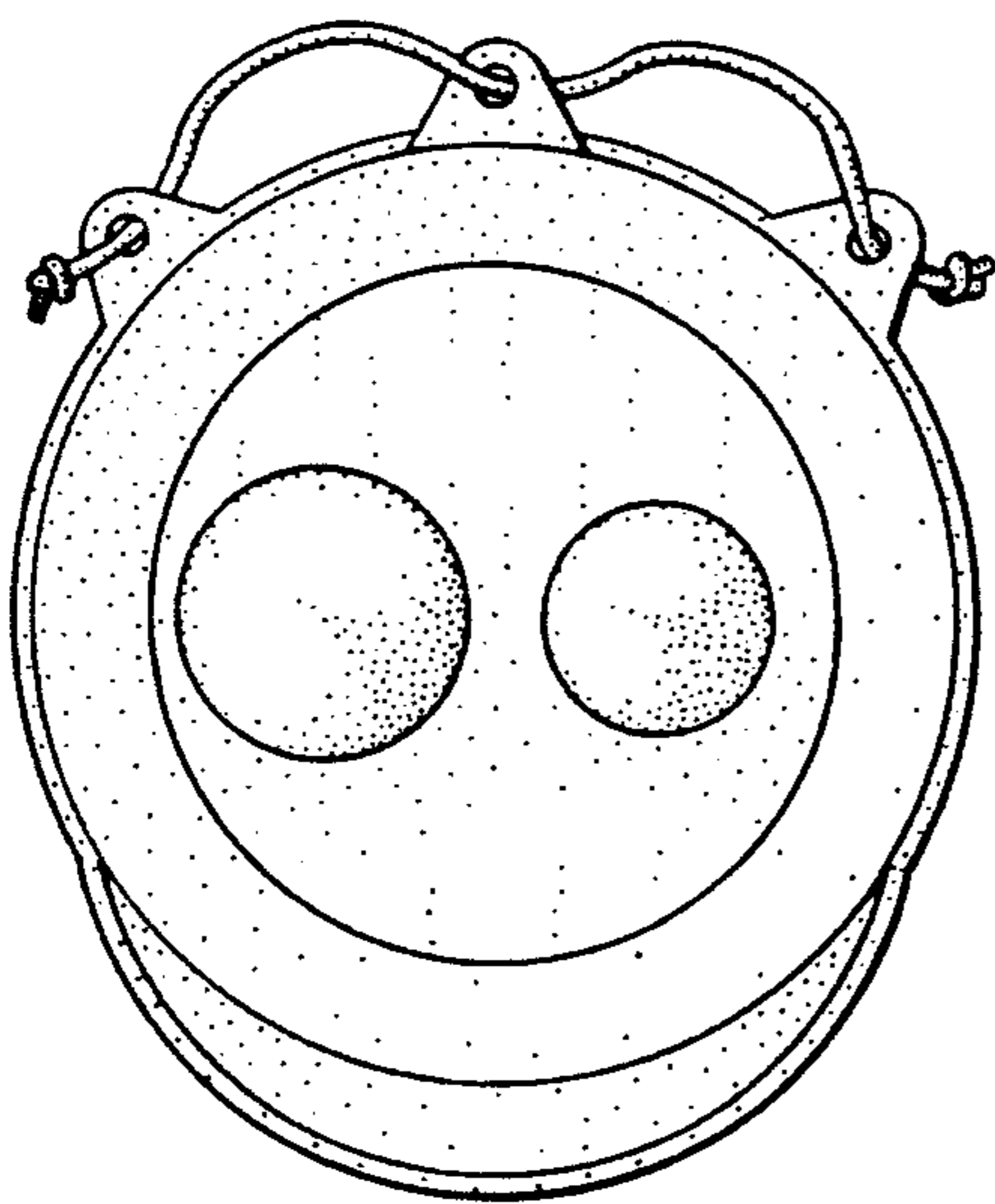


FIG. 3

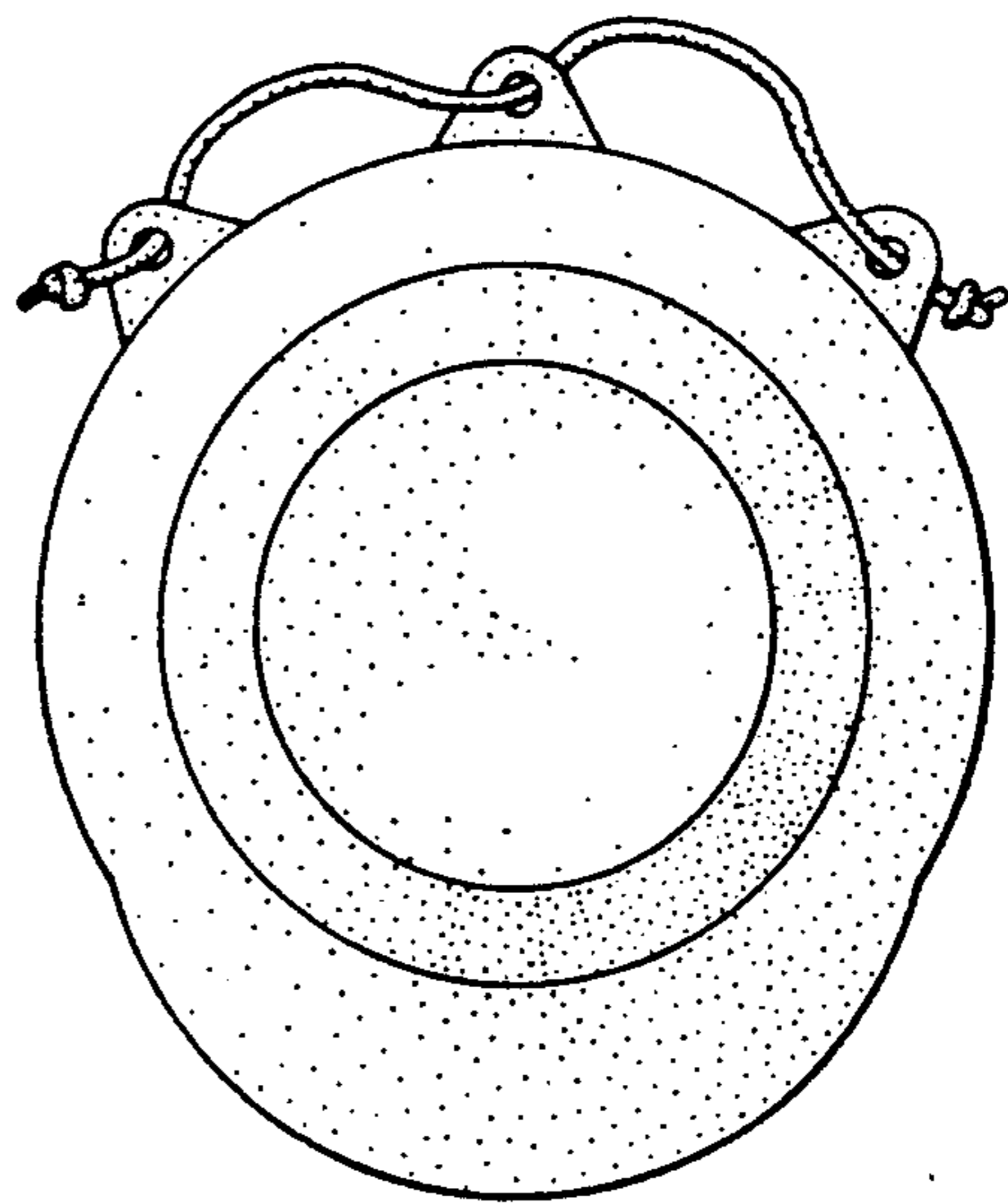
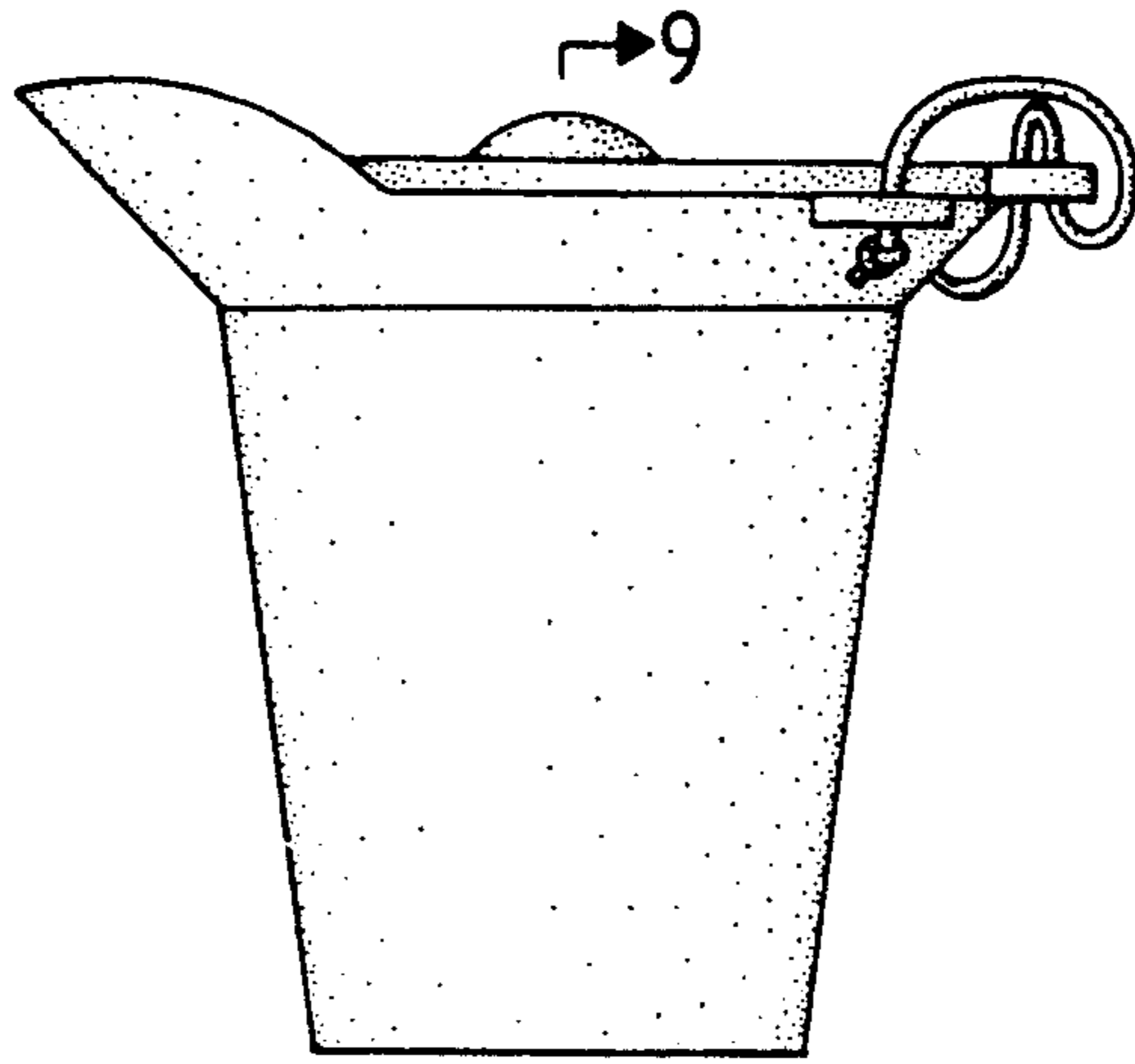


FIG. 4

FIG. 5



↳9

FIG. 6

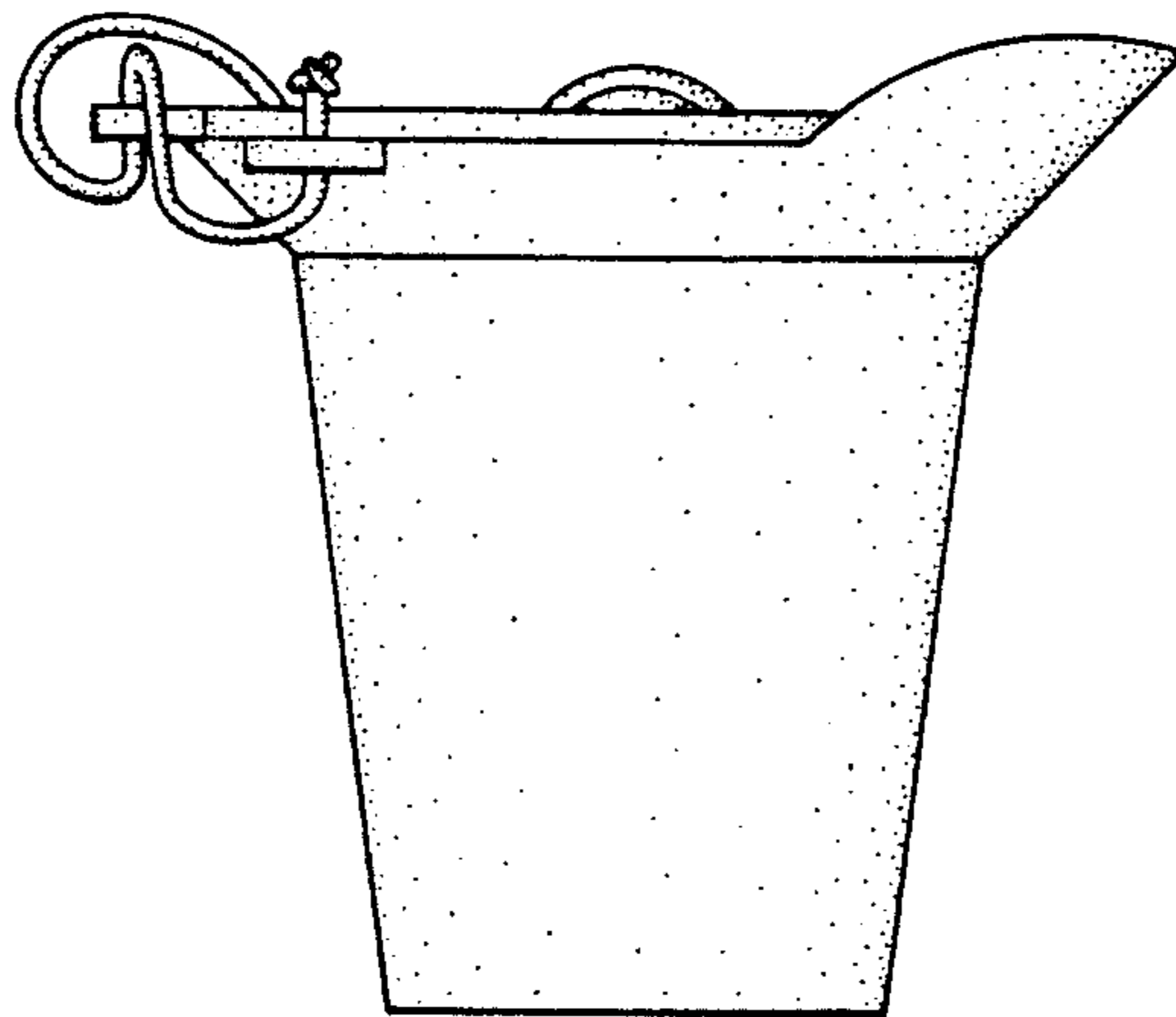


FIG. 7

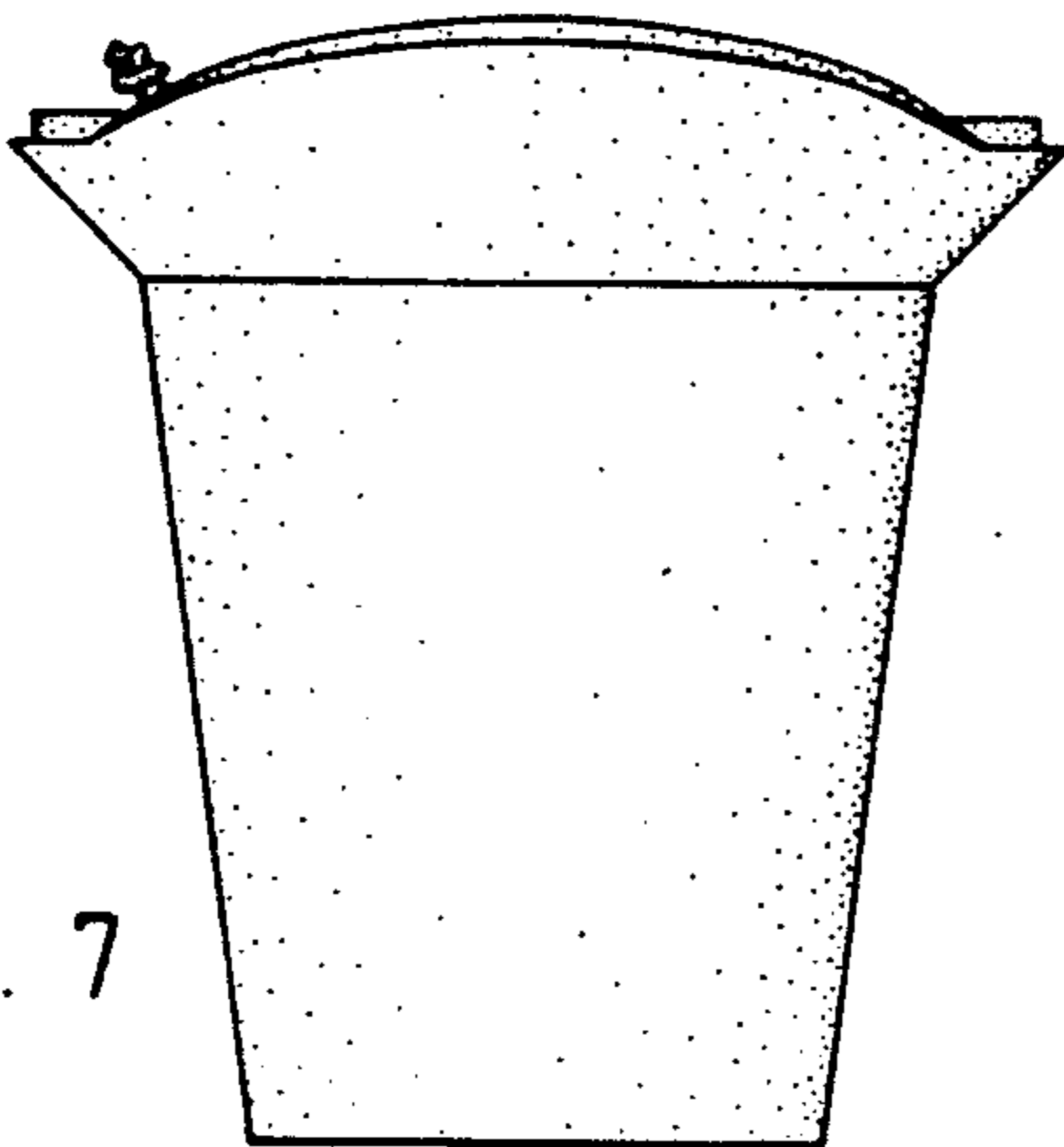
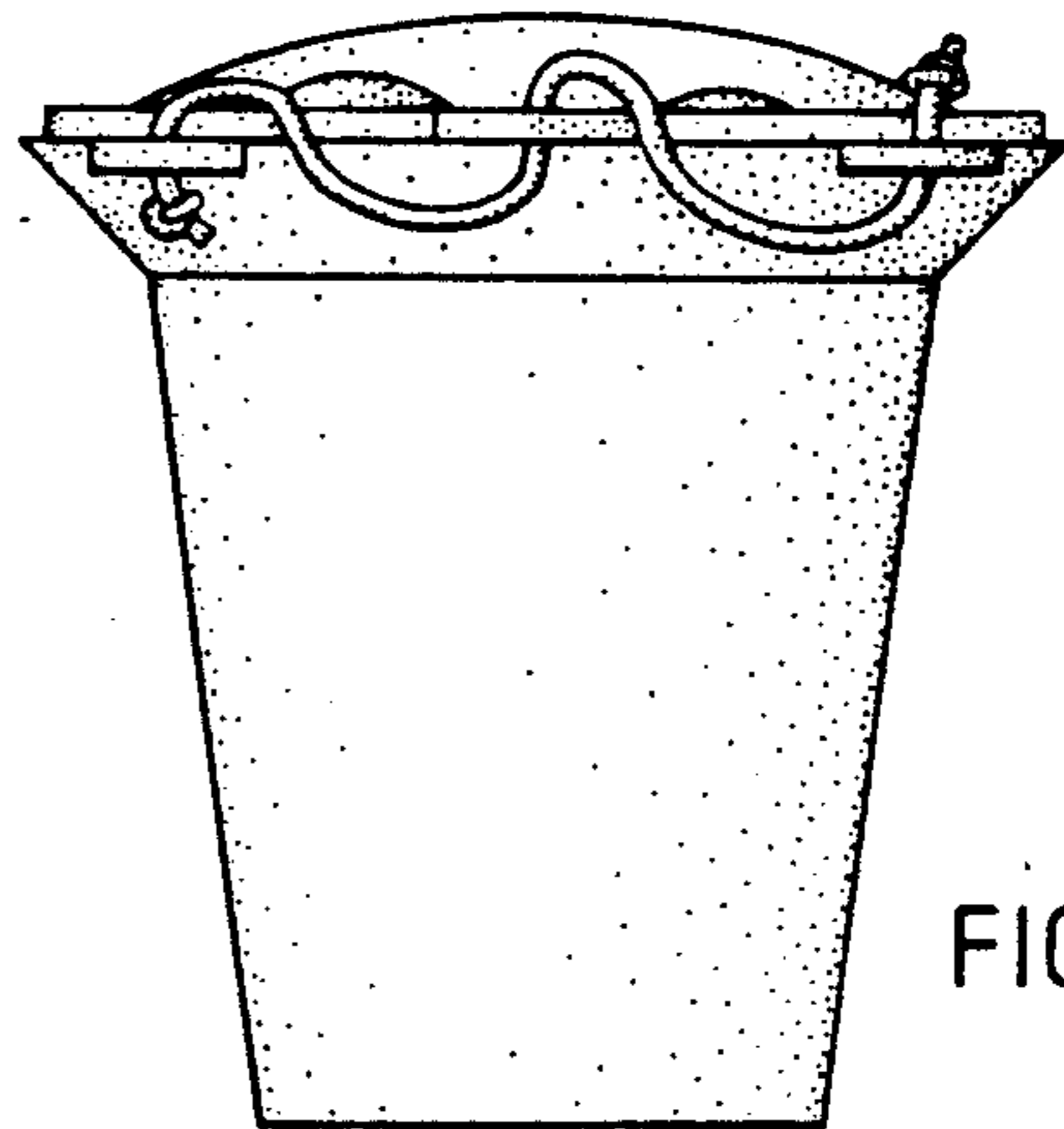


FIG. 8



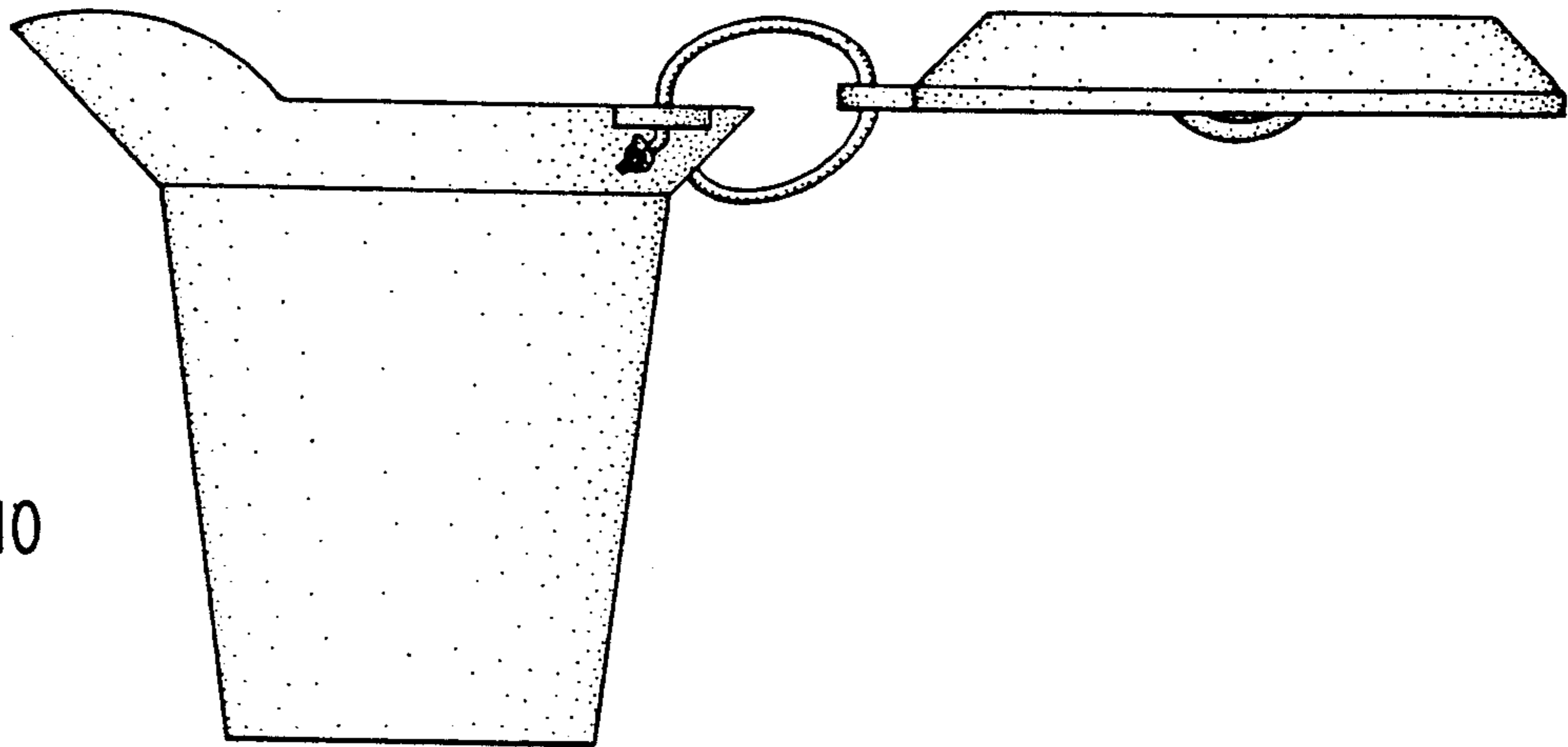


FIG. 10

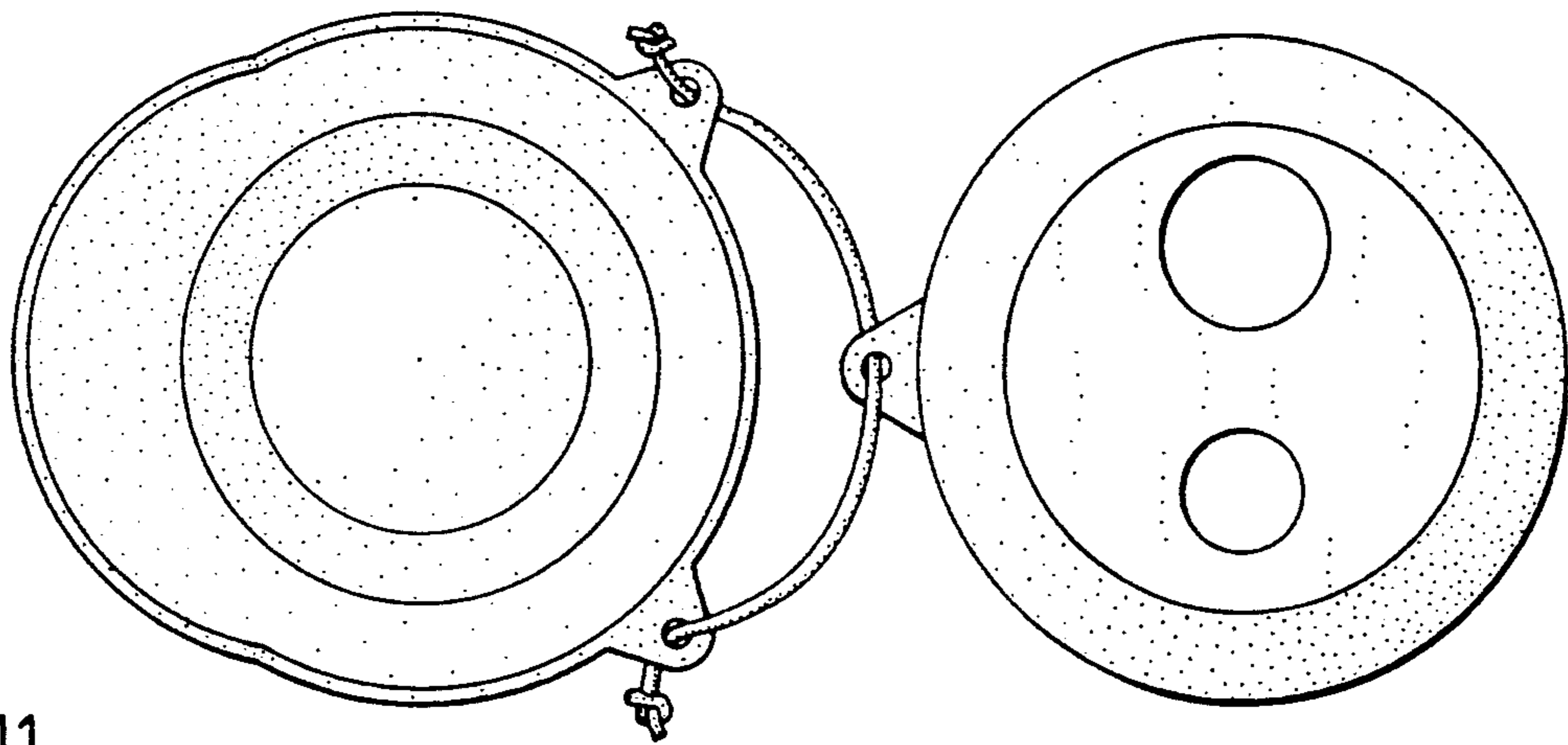


FIG. 11

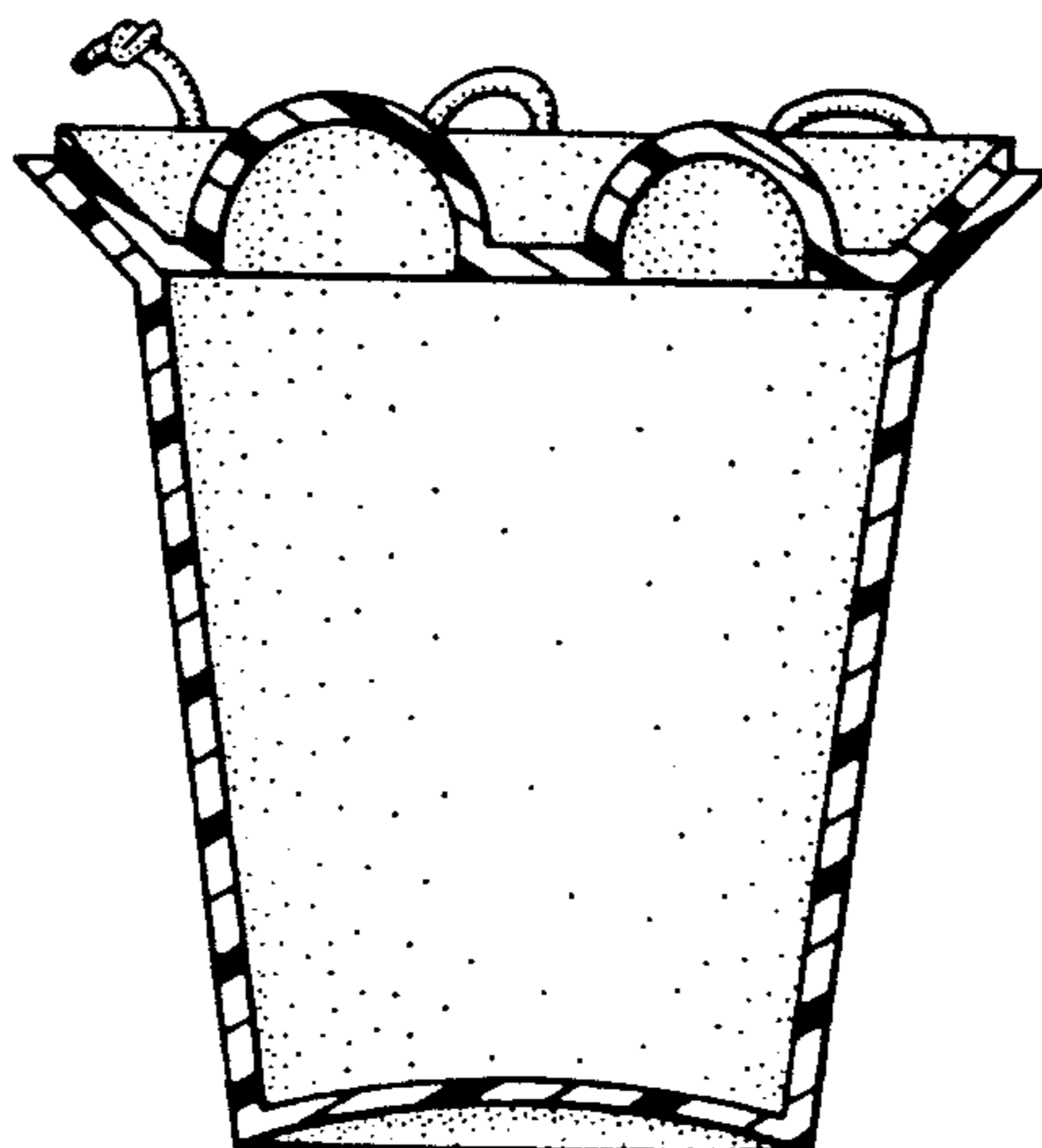


FIG. 9