



US00D343443S

United States Patent [19]

[11] Patent Number: **Des. 343,443**

Gadberry

[45] Date of Patent: **** Jan. 18, 1994**

[54] **SIPHON FOR DISPENSING PAINT INTO AIRLESS SPRAYERS**

642,354	1/1900	McLean	417/555.1 X
1,513,480	10/1924	Bradley	D23/231 X
2,695,236	11/1954	Barton	215/5 X
3,032,229	5/1962	Schoepe et al.	220/320 X

[76] Inventor: **William R. Gadberry, 43164 Lemming Rd., Newberry Springs, Calif. 92365**

Primary Examiner—Wallace R. Burke
Assistant Examiner—M. H. Tung
Attorney, Agent, or Firm—S. Michael Bender

[**] Term: **14 Years**

[21] Appl. No.: **477,210**

[57] **CLAIM**

[22] Filed: **Feb. 8, 1990**

The ornamental design for a siphon for dispensing paint into airless sprayers, as shown and described.

[52] U.S. Cl. **D23/231; D23/200**

[58] Field of Search 417/307, 311, 555.1, 417/555.2; 215/5; 220/320; 239/16, 33; 222/204, 416; 141/59, 116; 137/123, 132, 153, 141; D23/230-232

DESCRIPTION

[56] **References Cited**

U.S. PATENT DOCUMENTS

D. 196,464 10/1963 Kilbourn D23/231
D. 220,621 5/1971 Morgan et al. D23/231 X

FIG. 1 is a front elevational view of the siphon for dispensing paint into airless sprayers showing my new design;

FIG. 2 is a rear elevational view thereof;

FIG. 3 is a left side elevational view thereof;

FIG. 4 is a right side elevational view thereof;

FIG. 5 is a top plan view thereof; and,

FIG. 6 is a bottom plan view thereof.

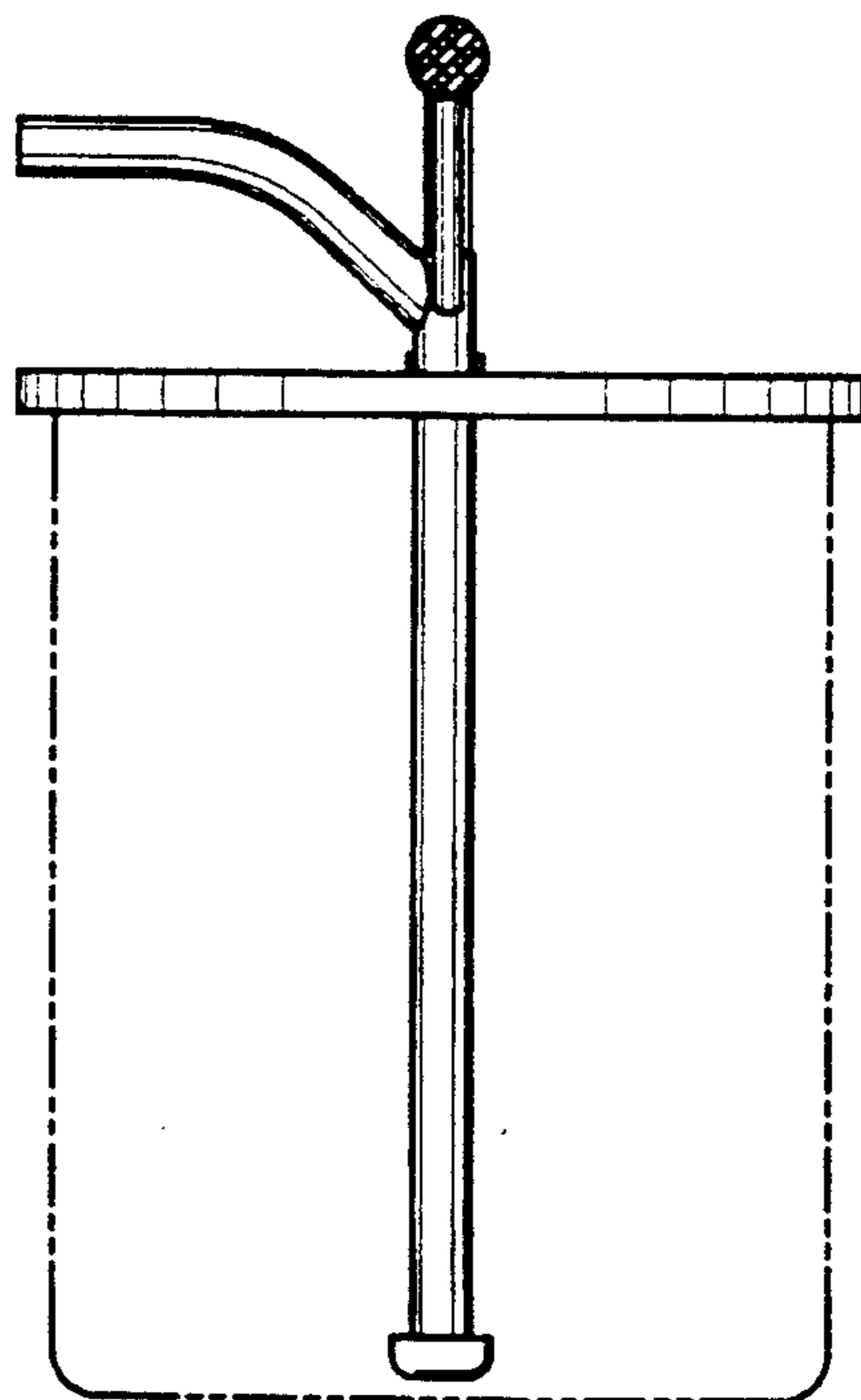
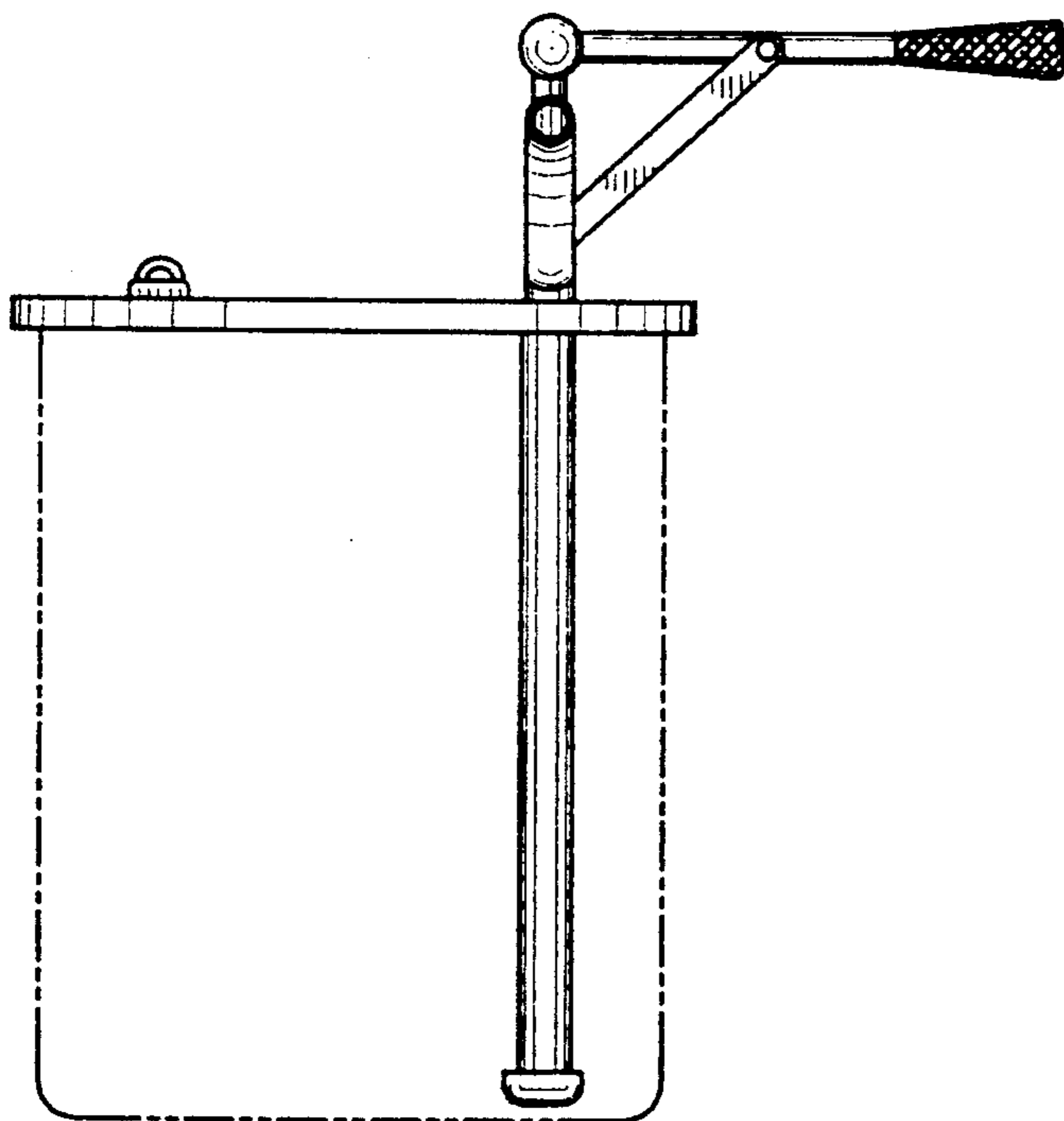


FIG. 1

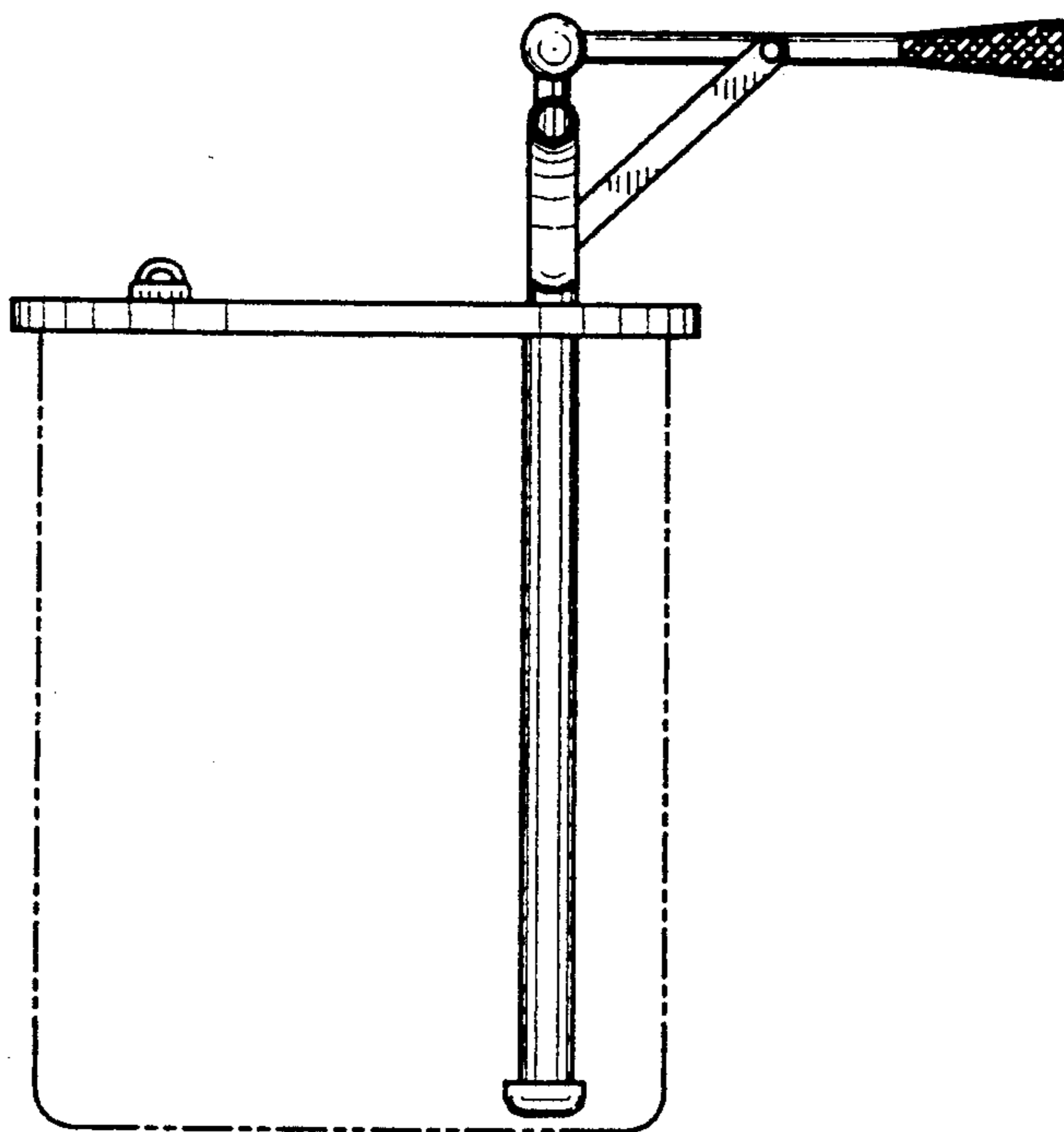


FIG. 2

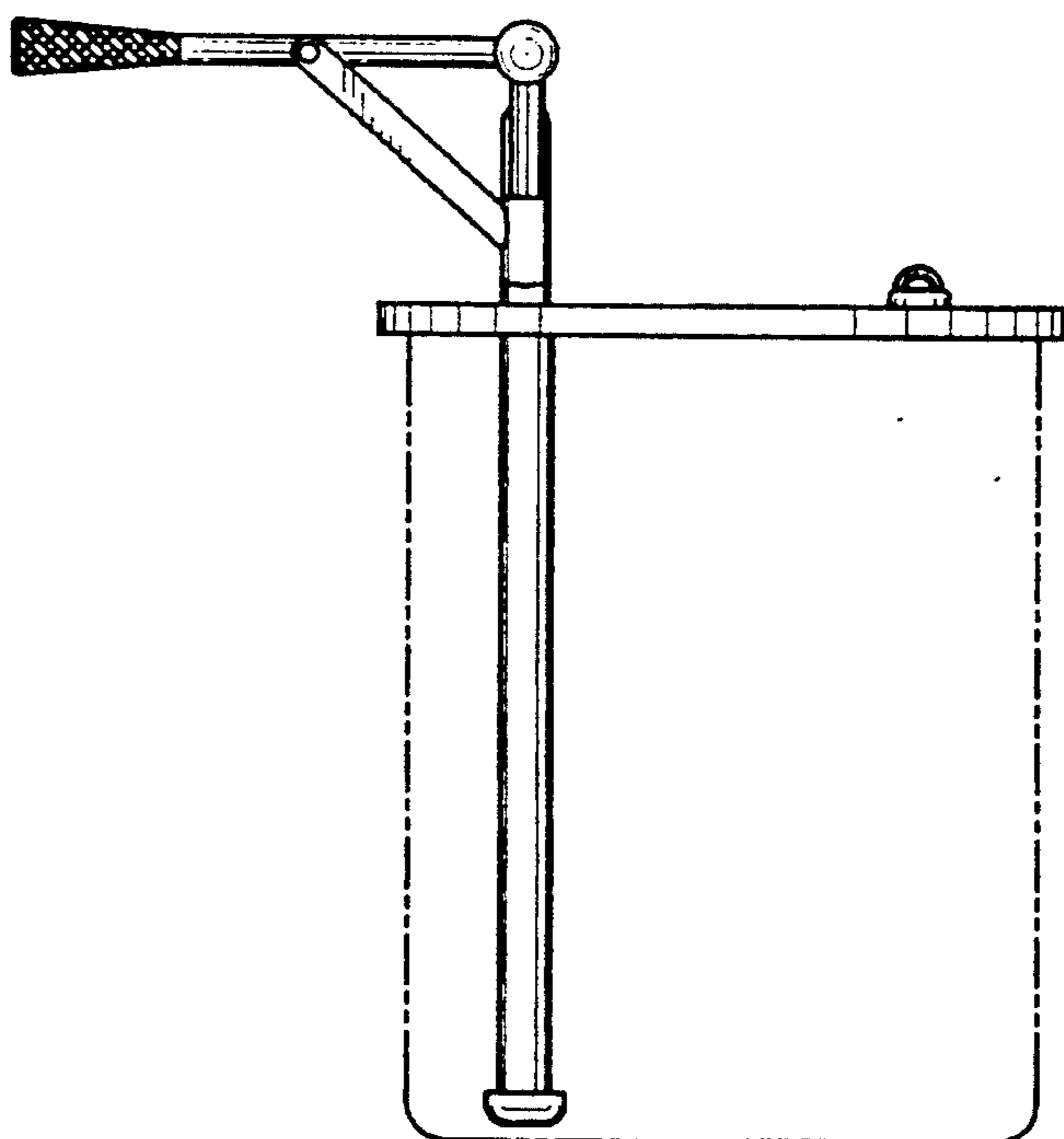


FIG. 3

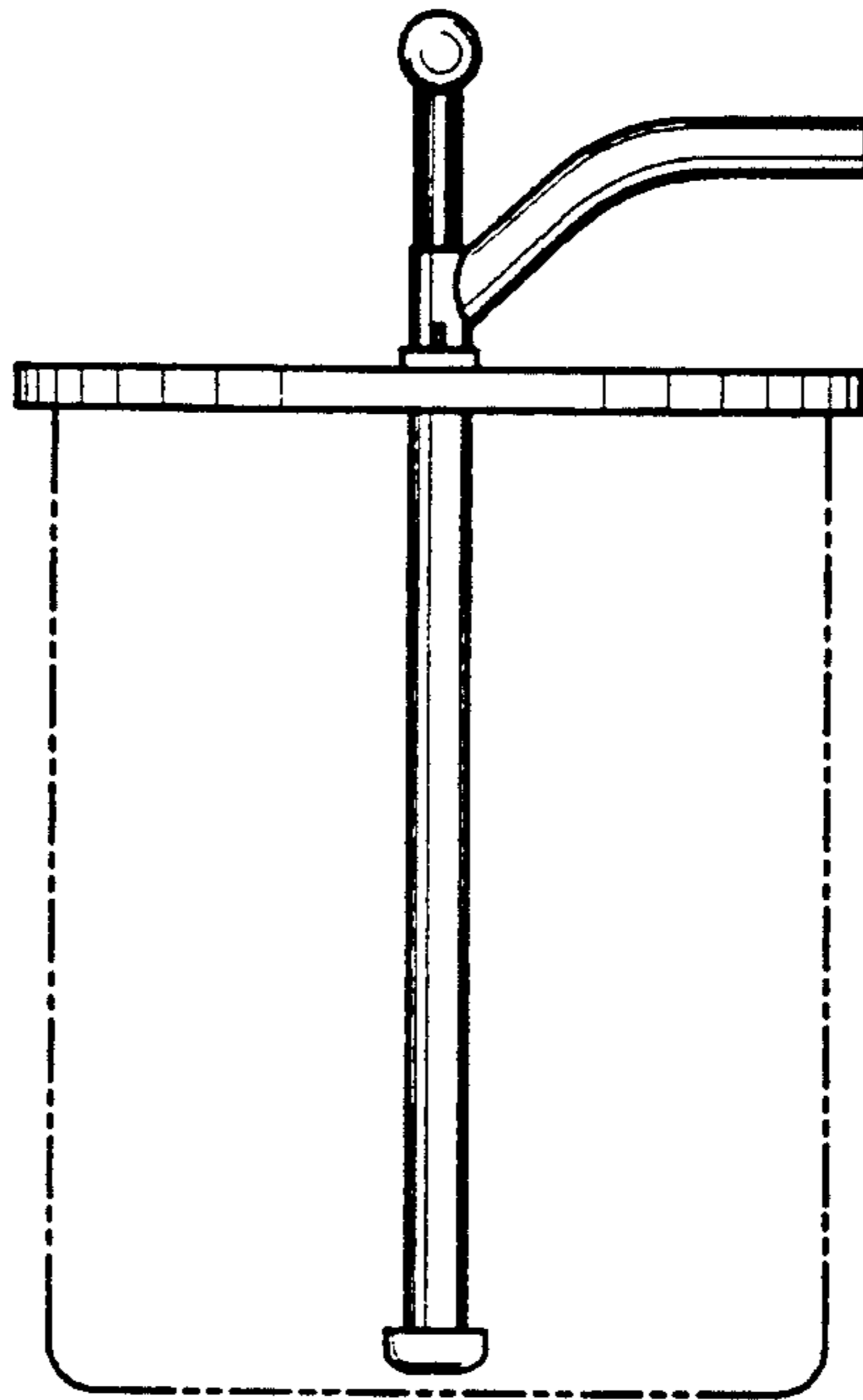


FIG. 4

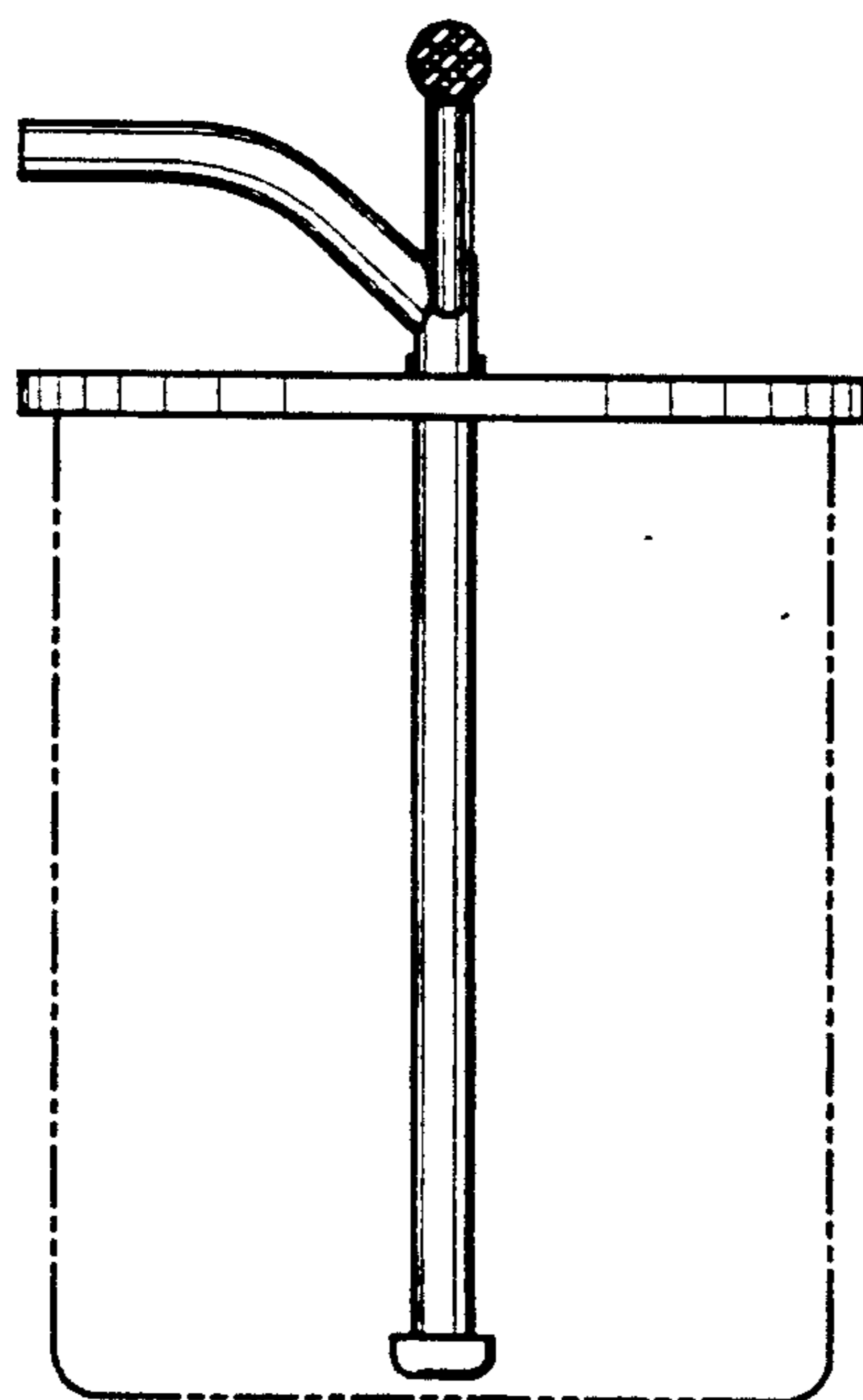


FIG. 5

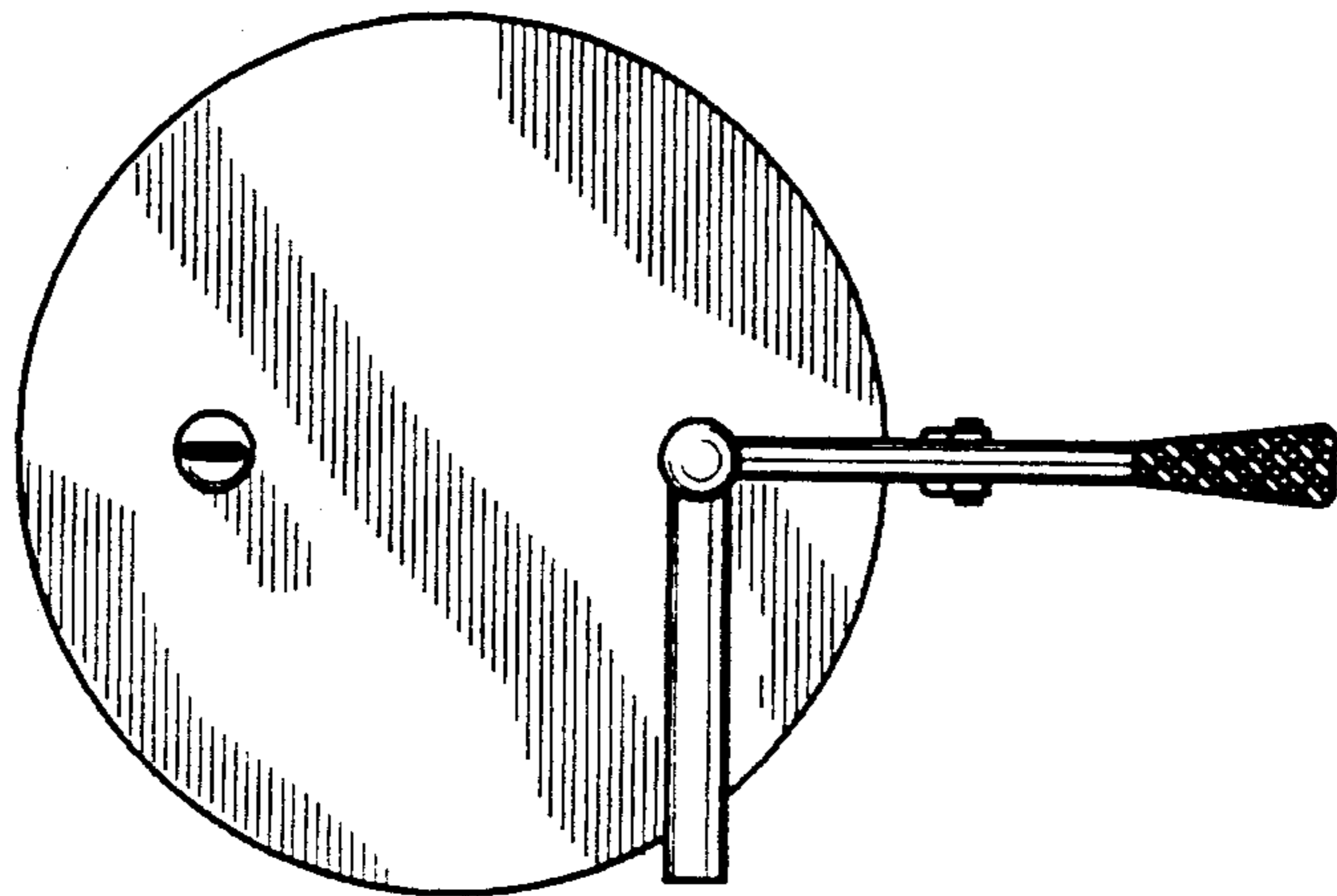


FIG. 6

