



US00D343441S

United States Patent [19] Peacock

[11] Patent Number: **Des. 343,441**

[45] Date of Patent: **** Jan. 18, 1994**

[54] **ROD HOLDER**

[76] Inventor: **Randolph L. Peacock**, Box 628 Rte. 3,
Denison, Tex. 75020

[**] Term: **14 Years**

[21] Appl. No.: **677,975**

[22] Filed: **Apr. 1, 1991**

[52] U.S. Cl. **D22/147**

[58] Field of Search 43/17, 25, 21.2;
248/511, 512, 530, 533, 538, 532, 514; D22/147

3,154,274 10/1964 Hillcourt 43/21.2
3,945,143 3/1976 Schmitt, Sr. 43/21.2
4,877,165 10/1989 Behrle 43/25

Primary Examiner—A. Hugo Word
Assistant Examiner—Doris V. Coles
Attorney, Agent, or Firm—S. Michael Bender

[57] **CLAIM**

The ornamental design for a rod holder, as shown and described.

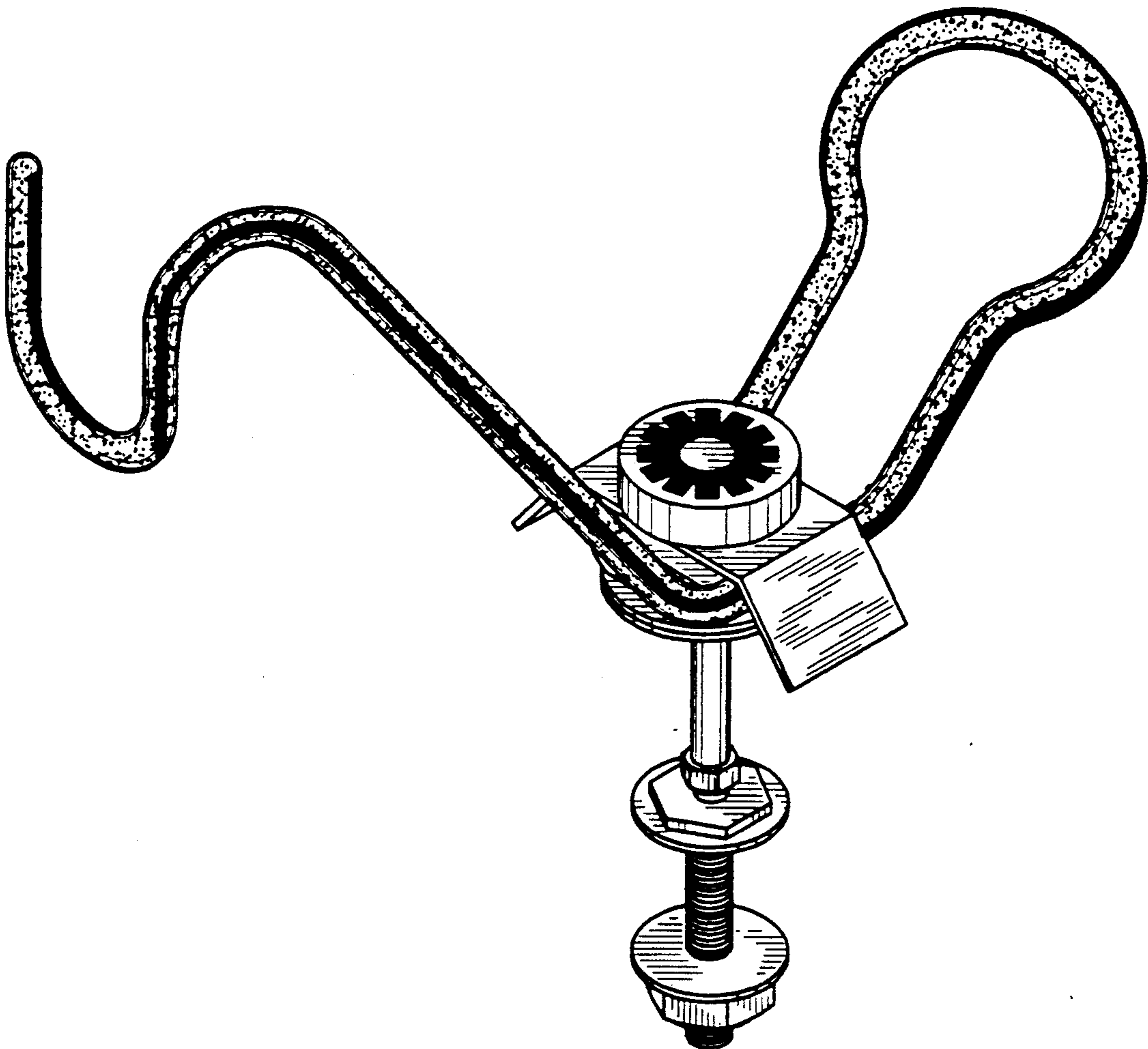
DESCRIPTION

FIG. 1 is a front elevational view of the rod holder showing my new design;
FIG. 2 is a rear elevational view thereof;
FIG. 3 is a left side elevational view thereof;
FIG. 4 is a right side elevational view thereof;
FIG. 5 is a top plan view thereof;
FIG. 6 is a bottom plan view thereof; and,
FIG. 7 is a perspective view thereof.

[56] **References Cited**

U.S. PATENT DOCUMENTS

D. 143,952	2/1946	Curtis	D22/147
D. 283,909	5/1986	Hoover	D22/147
2,423,933	7/1947	Gosh	43/21.2
2,602,618	7/1952	Cohen	43/21.2
3,058,251	10/1962	Brooks	43/21.2



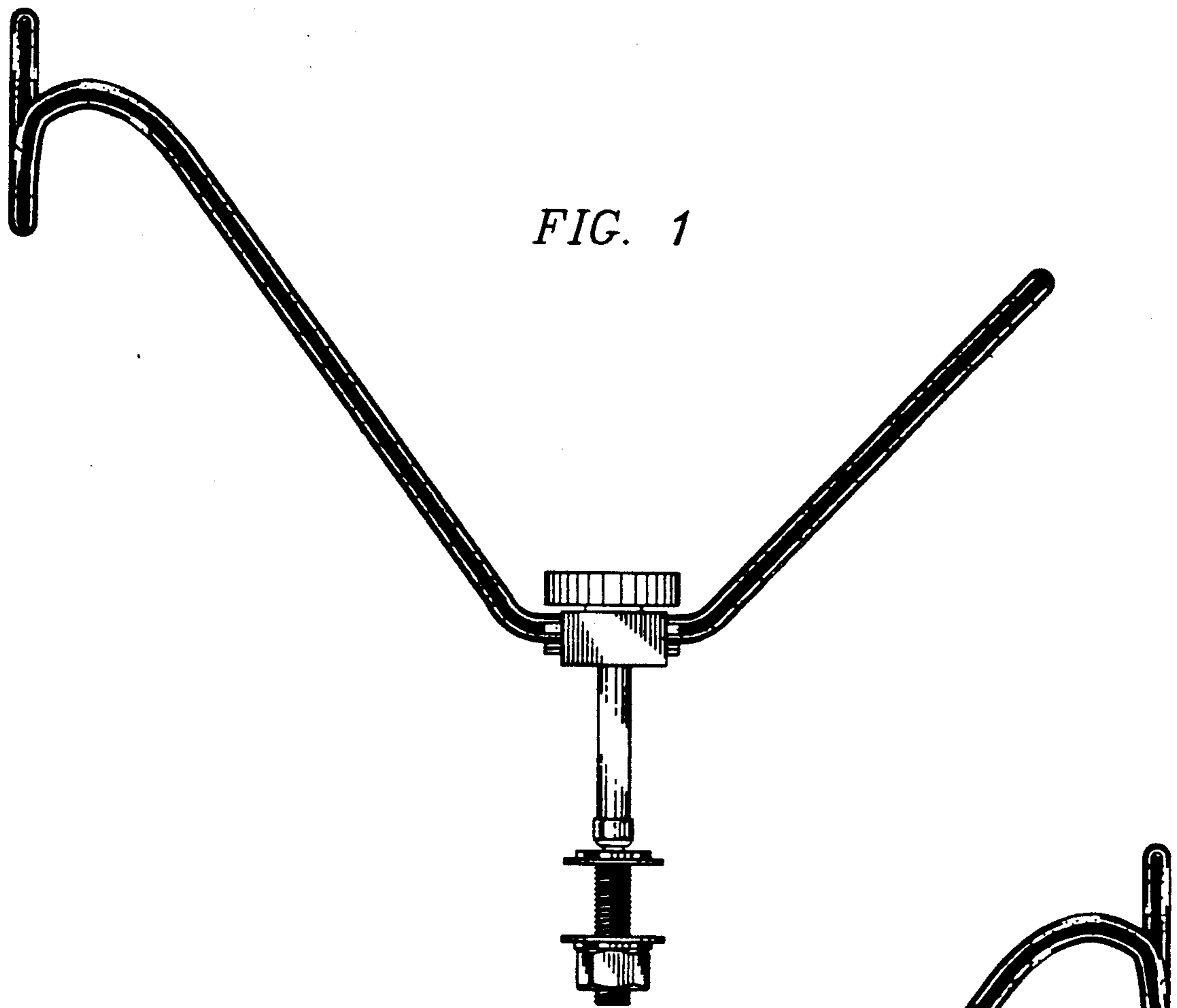


FIG. 1

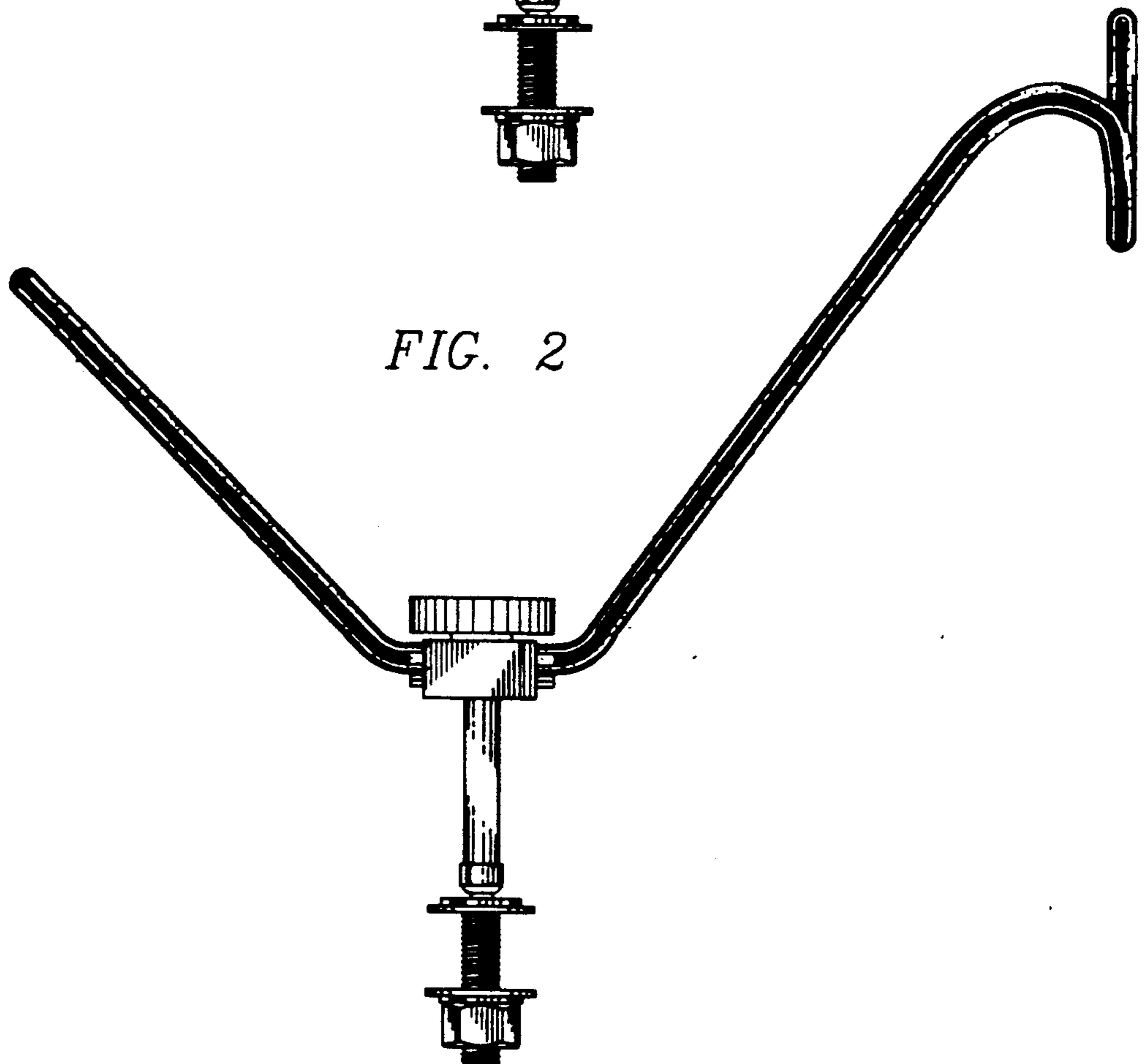


FIG. 2

FIG. 3

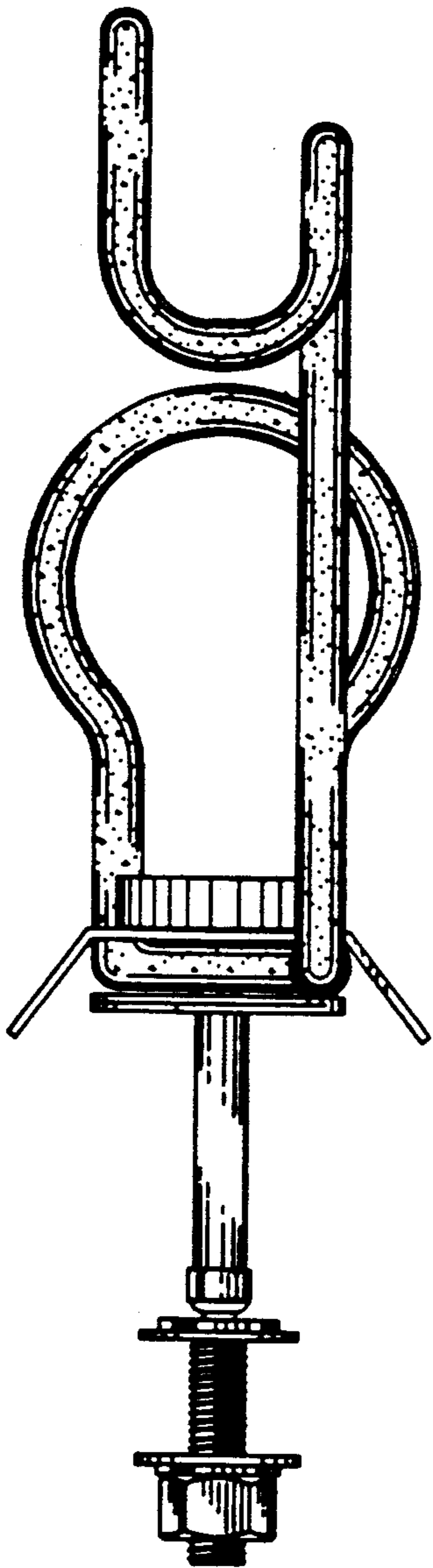


FIG. 4

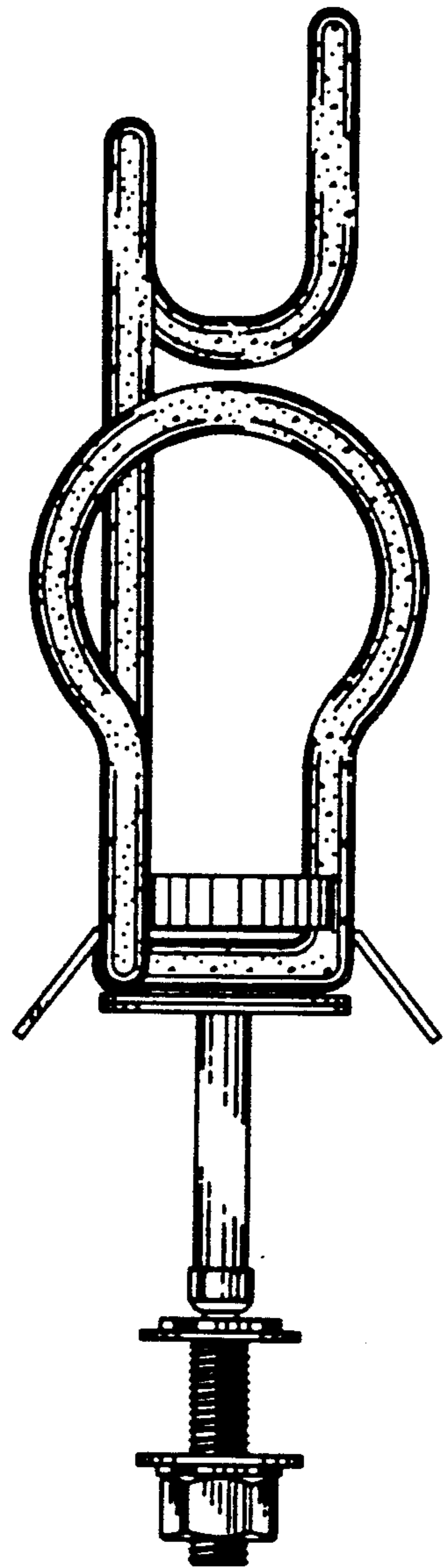


FIG. 5

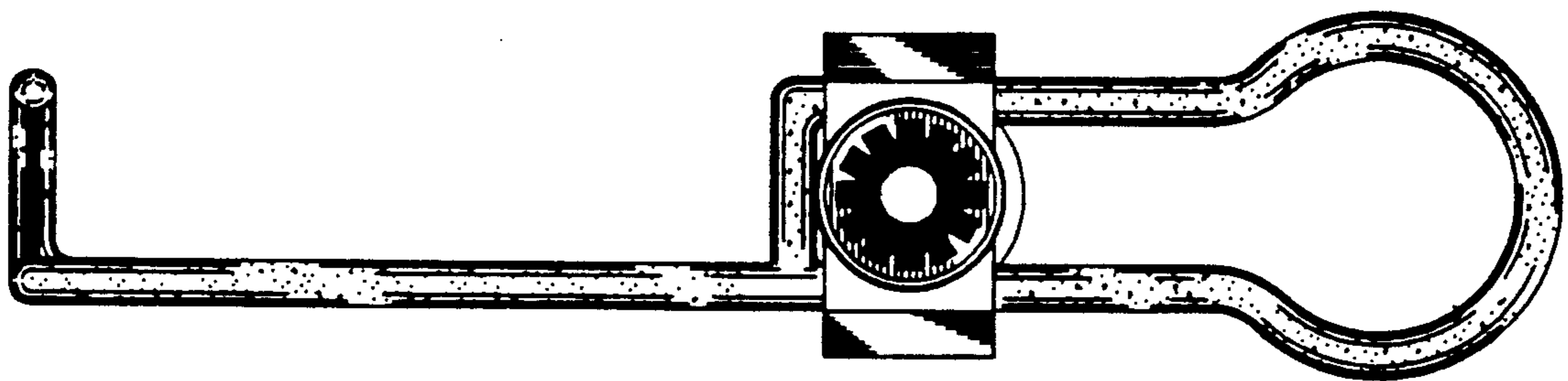


FIG. 6

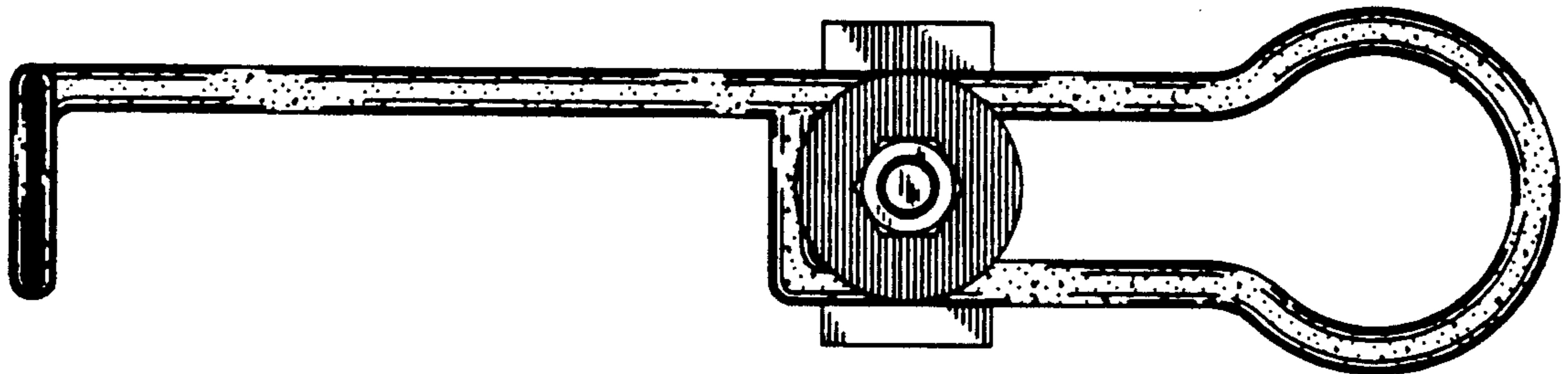


FIG. 7

