



US00D343440S

United States Patent [19]

[11] Patent Number: **Des. 343,440**

Rubin et al.

[45] Date of Patent: **** Jan. 18, 1994**

[54] **BASE FOR MOUNTING A TELESCOPE TO A BLACK POWDER RIFLE**

[75] Inventors: **Irving N. Rubin**, West Bloomfield;
Ivan Jimenez, Northville, both of Mich.

[73] Assignee: **Kwik-Site Corp.**, Wayne, Mich.

[**] Term: **14 Years**

[21] Appl. No.: **781,286**

[22] Filed: **Oct. 23, 1991**

[52] U.S. Cl. **D22/110**

[58] Field of Search 42/100; 33/247, 252;
D22/110

3,979,848	9/1976	Ackerman, Jr.	42/100
4,383,371	5/1983	Coffey	33/245
4,562,658	1/1986	Govett	33/245
4,873,779	10/1989	Ellison et al.	42/101
4,890,407	1/1990	Nichols	33/245
4,934,085	6/1990	Lough	42/103
5,046,277	9/1991	Sanders	33/245
5,111,587	5/1992	Plank	33/247

Primary Examiner—A. Hugo Word
Assistant Examiner—CathyAnne MacCormac
Attorney, Agent, or Firm—Alex Rhodes

[57] CLAIM

The ornamental design for a base for mounting a telescope to a black powder rifle, as shown and described.

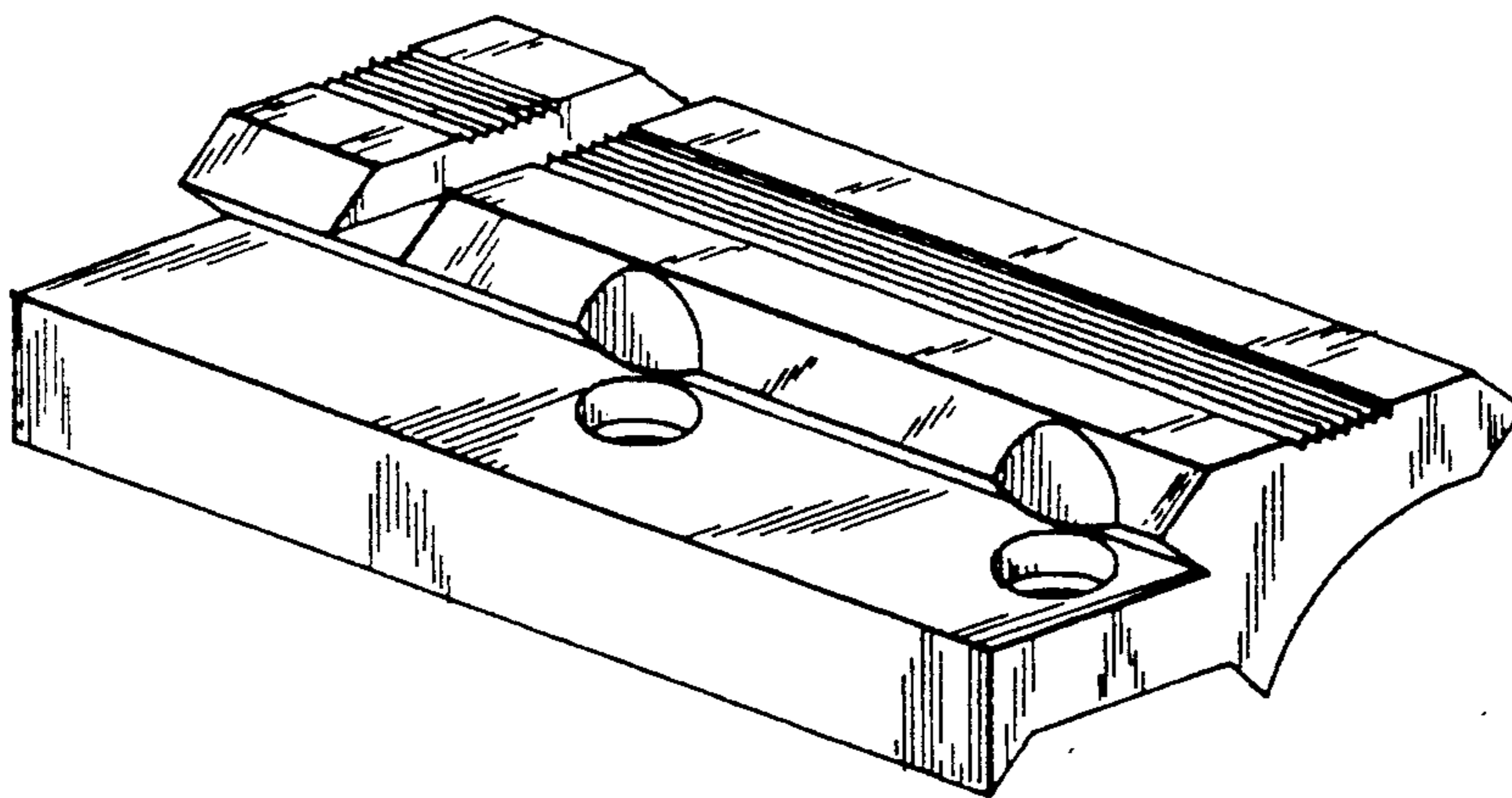
[56] References Cited

U.S. PATENT DOCUMENTS

D. 216,014	11/1969	Dupont	D22/110
D. 271,412	11/1983	Long	D22/110
D. 291,468	8/1987	Bechtel	D22/110
D. 291,469	8/1987	Bechtel	D22/110
D. 318,708	7/1991	Bechtel	D22/110
D. 322,834	12/1991	Lawlor	D22/110
3,555,687	1/1971	Joseph	42/101

DESCRIPTION

FIG. 1 is a perspective view of a base for mounting a telescope to a black powder rifle;
FIG. 2 is a plan view;
FIG. 3 is a right side view;
FIG. 4 is a left side view;
FIG. 5 is a front view;
FIG. 6 is a bottom view; and,
FIG. 7 is a rear view.



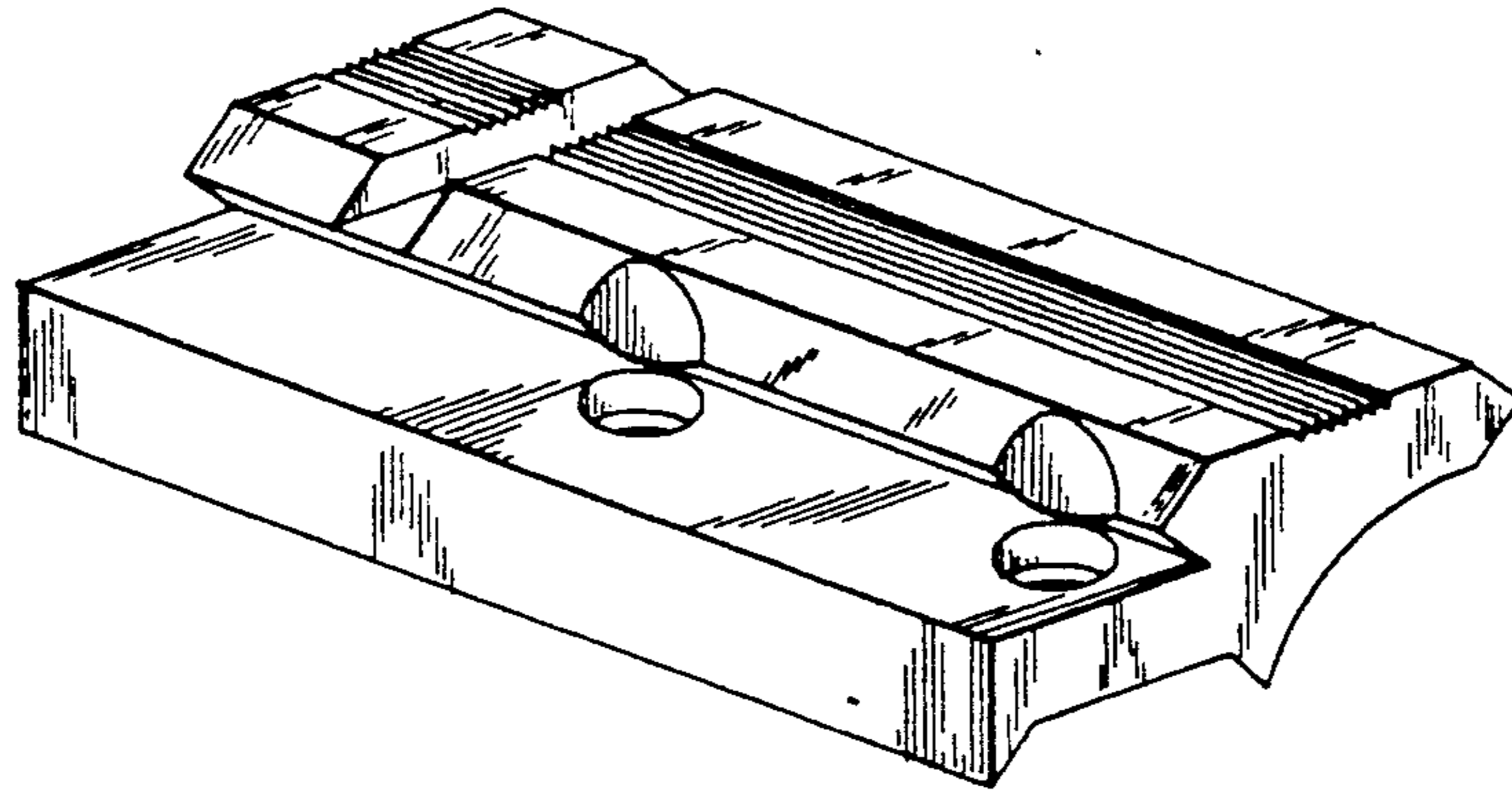


FIG. 1

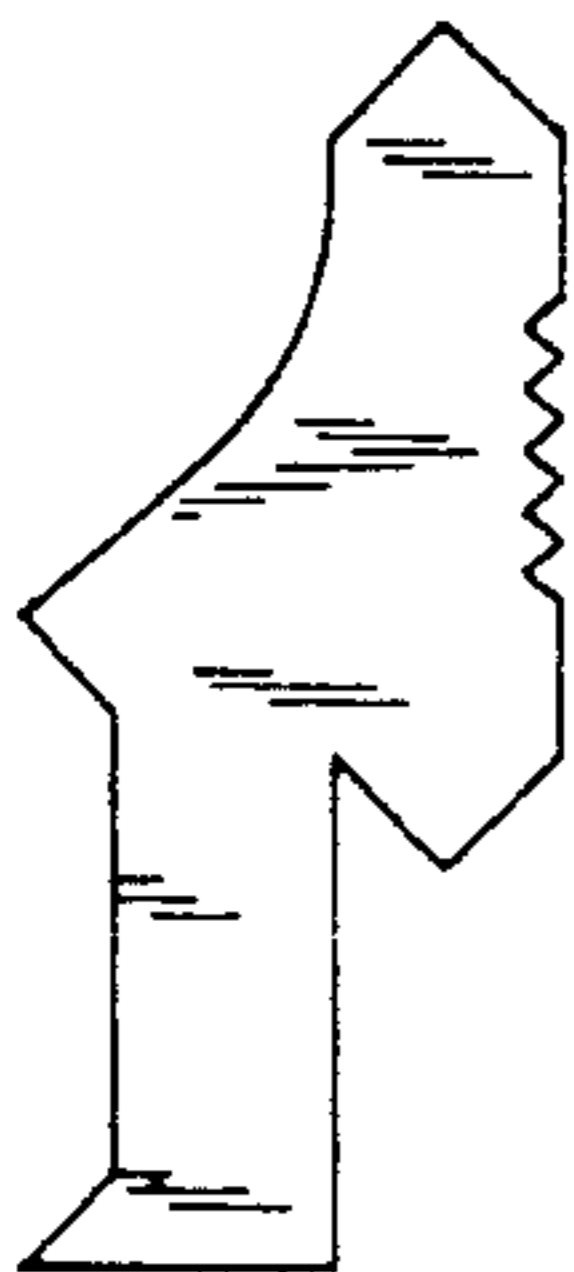


FIG. 4

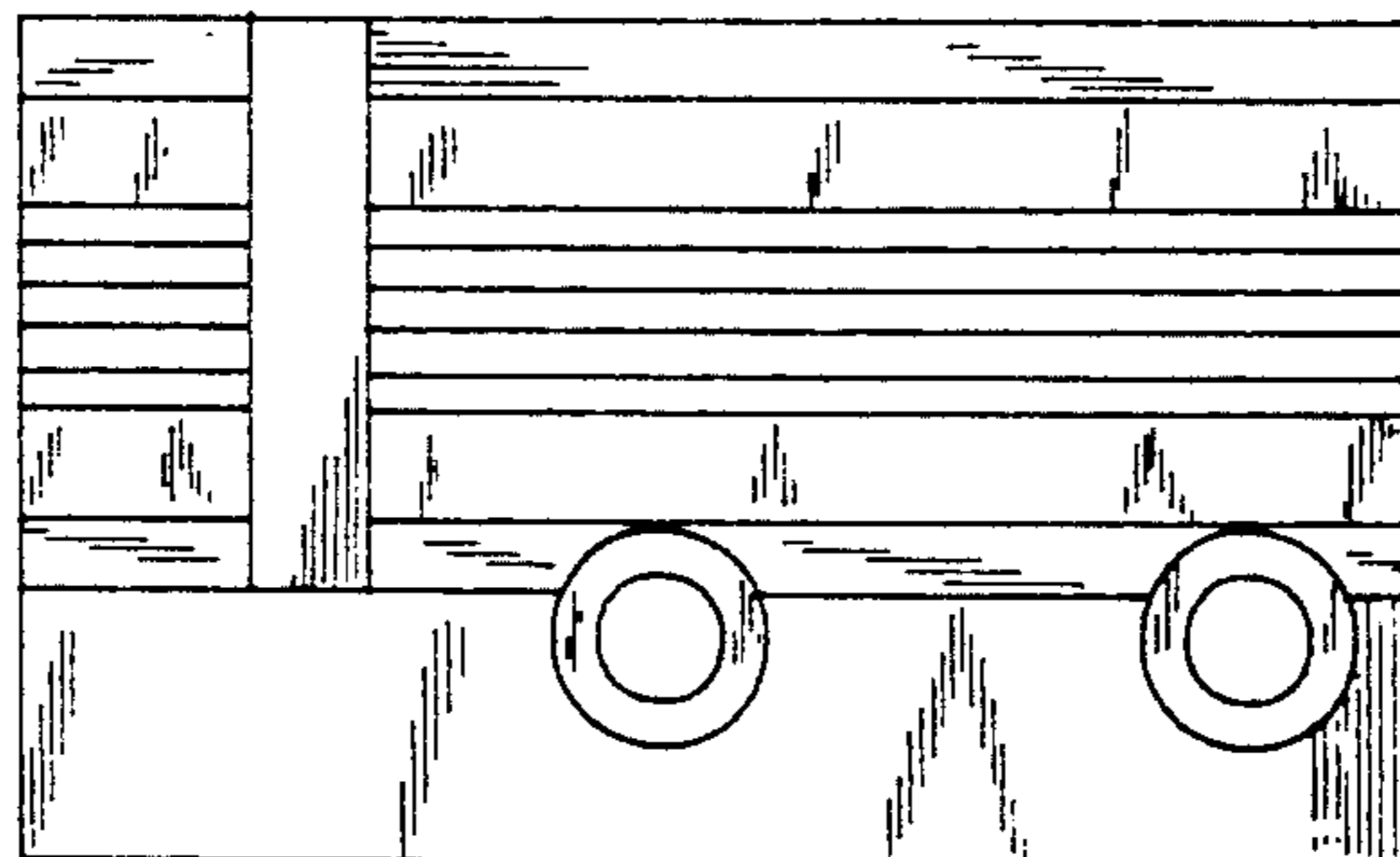


FIG. 2

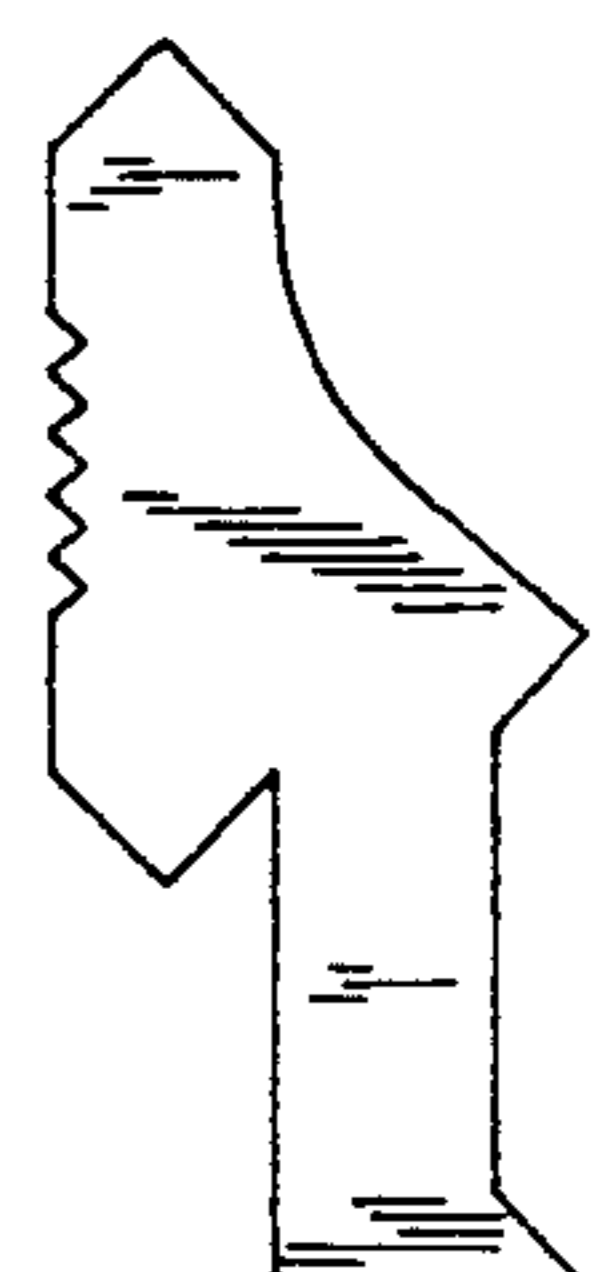


FIG. 3

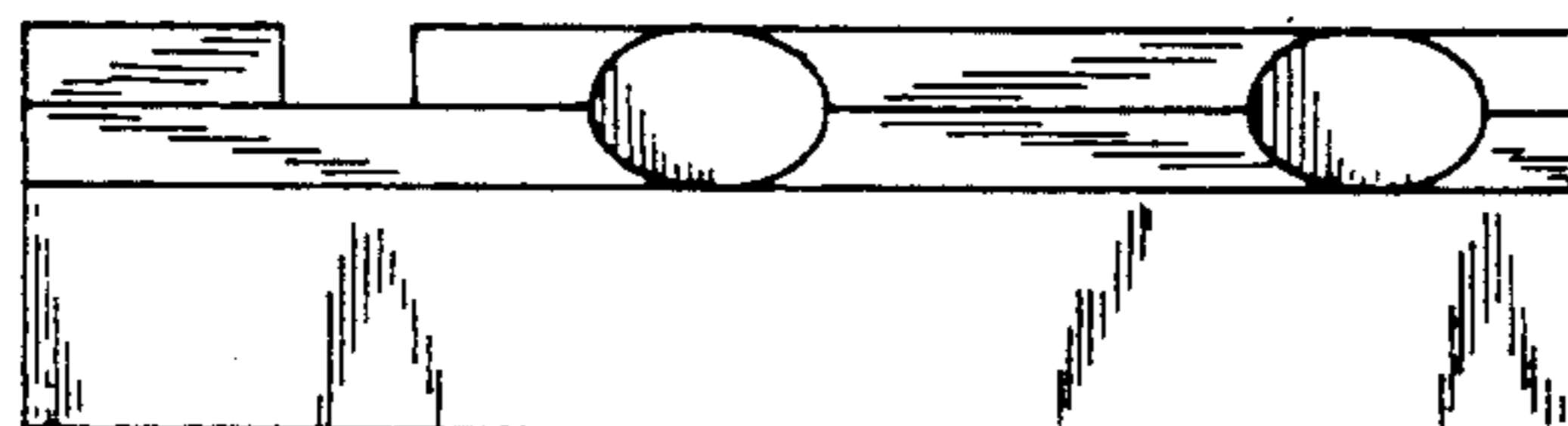


FIG. 5

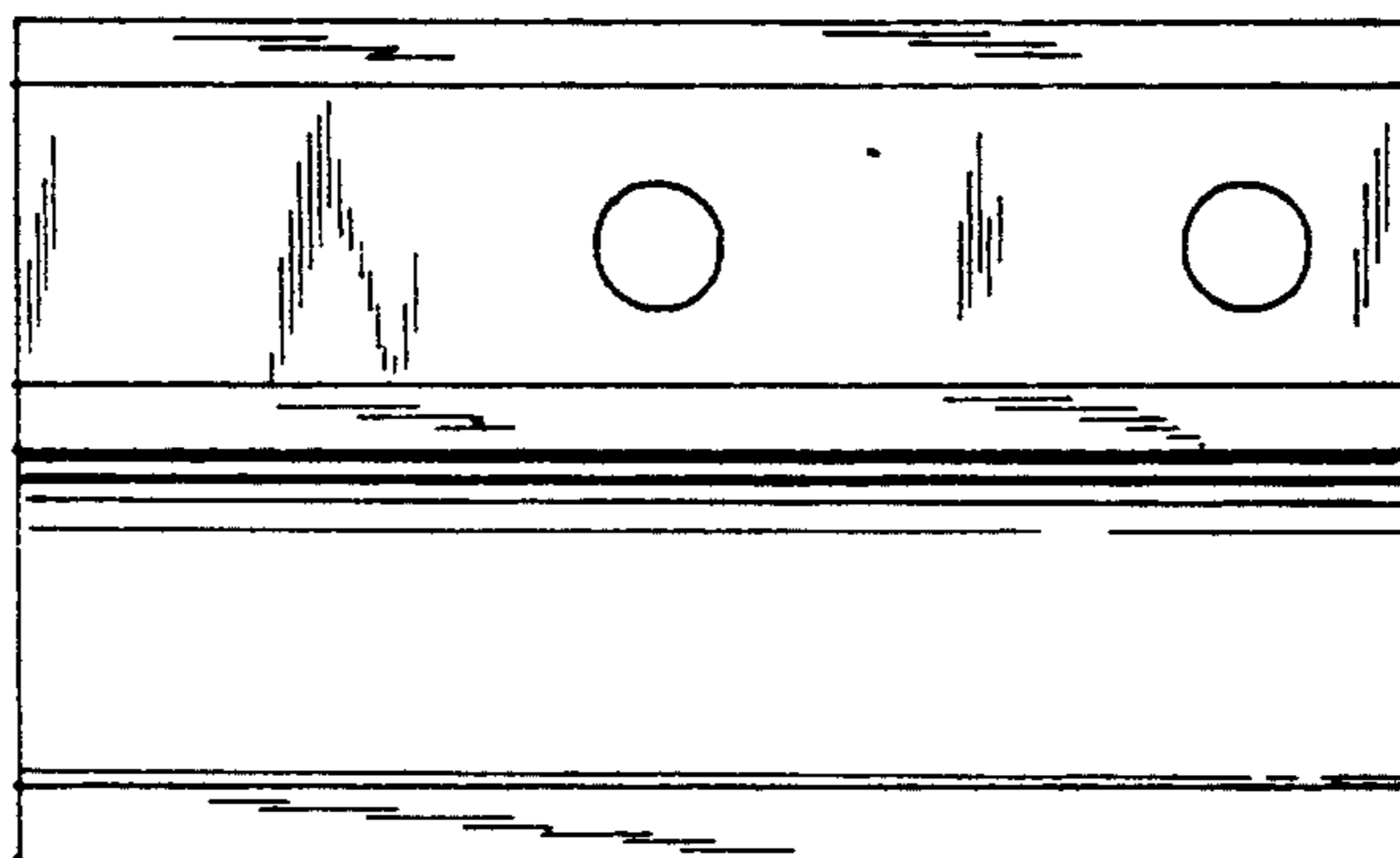


FIG. 6

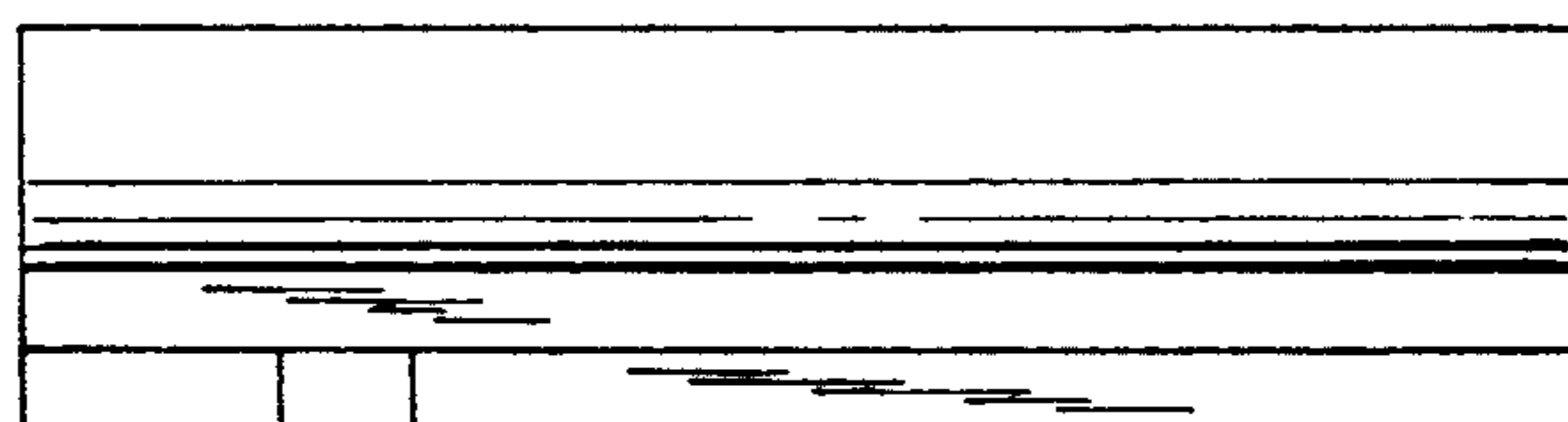


FIG. 7