



US00D343429S

United States Patent [19]

[11] Patent Number: **Des. 343,429**

S rensen et al.

[45] Date of Patent: **** Jan. 18, 1994**

[54] **ELEMENT FOR A TOY BUILDING SET**

5,071,384 12/1991 Poulsen 446/128

[75] Inventors: **Jens T. Sørensen, Tørring; Kurt Jensen, Vejle, both of Denmark**

Primary Examiner—Bernard Ansher
Assistant Examiner—R. Barkai
Attorney, Agent, or Firm—Kane, Dalsimer, Sullivan, Kurucz, Levy, Eisele and Richard

[73] Assignee: **Interlego A.G., Baar, Switzerland**

[**] Term: **14 Years**

[57] **CLAIM**

[21] Appl. No.: **1,817**

The ornamental design for an element for a toy building set, as shown and described.

[22] Filed: **Nov. 24, 1992**

[52] U.S. Cl. **D21/108**

DESCRIPTION

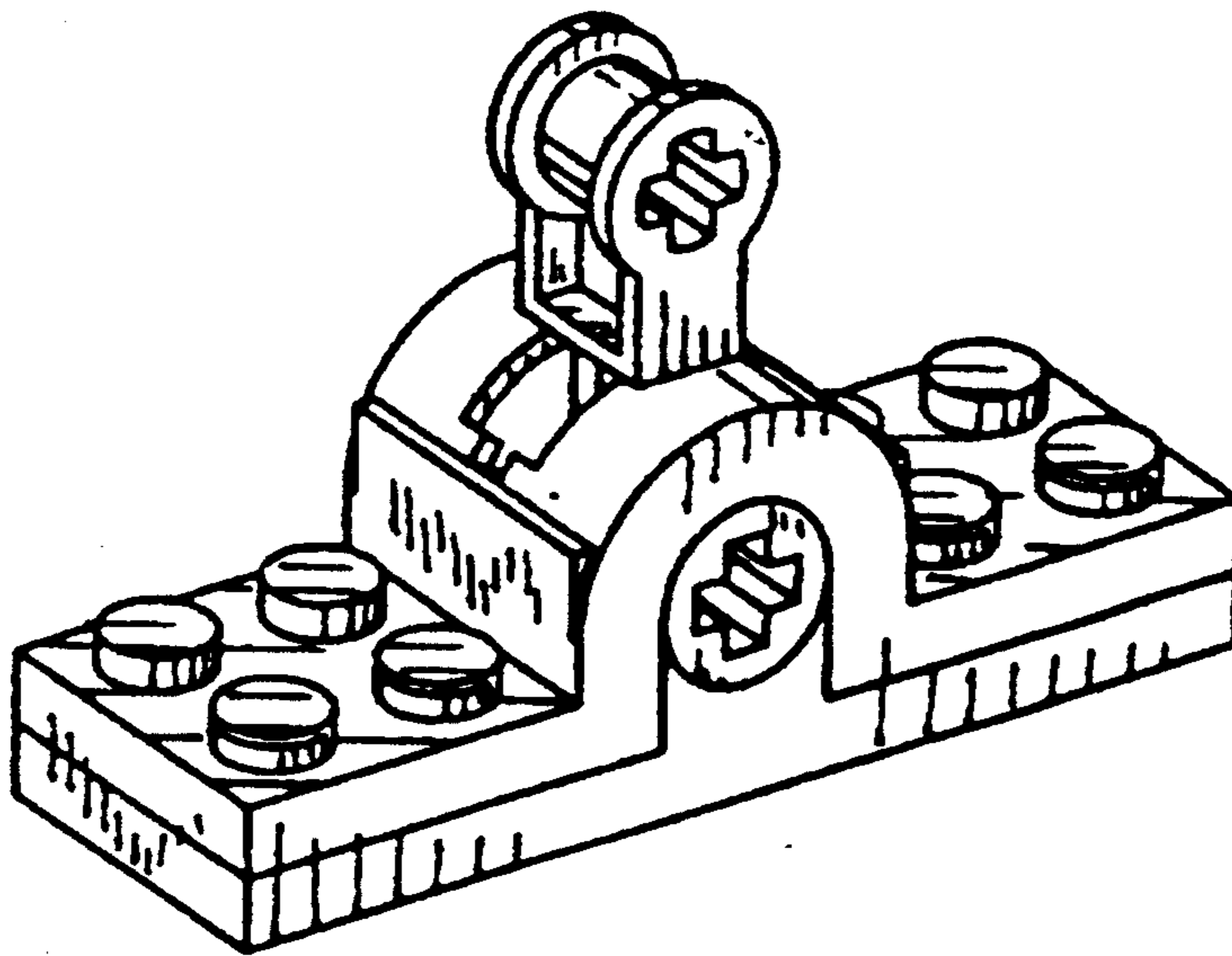
[58] Field of Search **446/105, 114, 125, 128, 446/231; 273/424, 425; D21/108; D25/126**

FIG. 1 is a top perspective view of the element for a toy building set showing our new design;
FIG. 2 is a bottom perspective view thereof;
FIG. 3 is a side elevational view thereof, the other side being identical;
FIG. 4 is a front elevational view thereof, the rear being identical;
FIG. 5 is a top plan view thereof; and,
FIG. 6 is a bottom plan view thereof.

[56] **References Cited**

U.S. PATENT DOCUMENTS

- D. 304,221 10/1989 Poulsen D21/141
- D. 304,472 11/1989 Poulsen D21/108
- D. 304,473 11/1989 Poulsen D21/108
- D. 319,267 8/1991 Hoyer D21/108



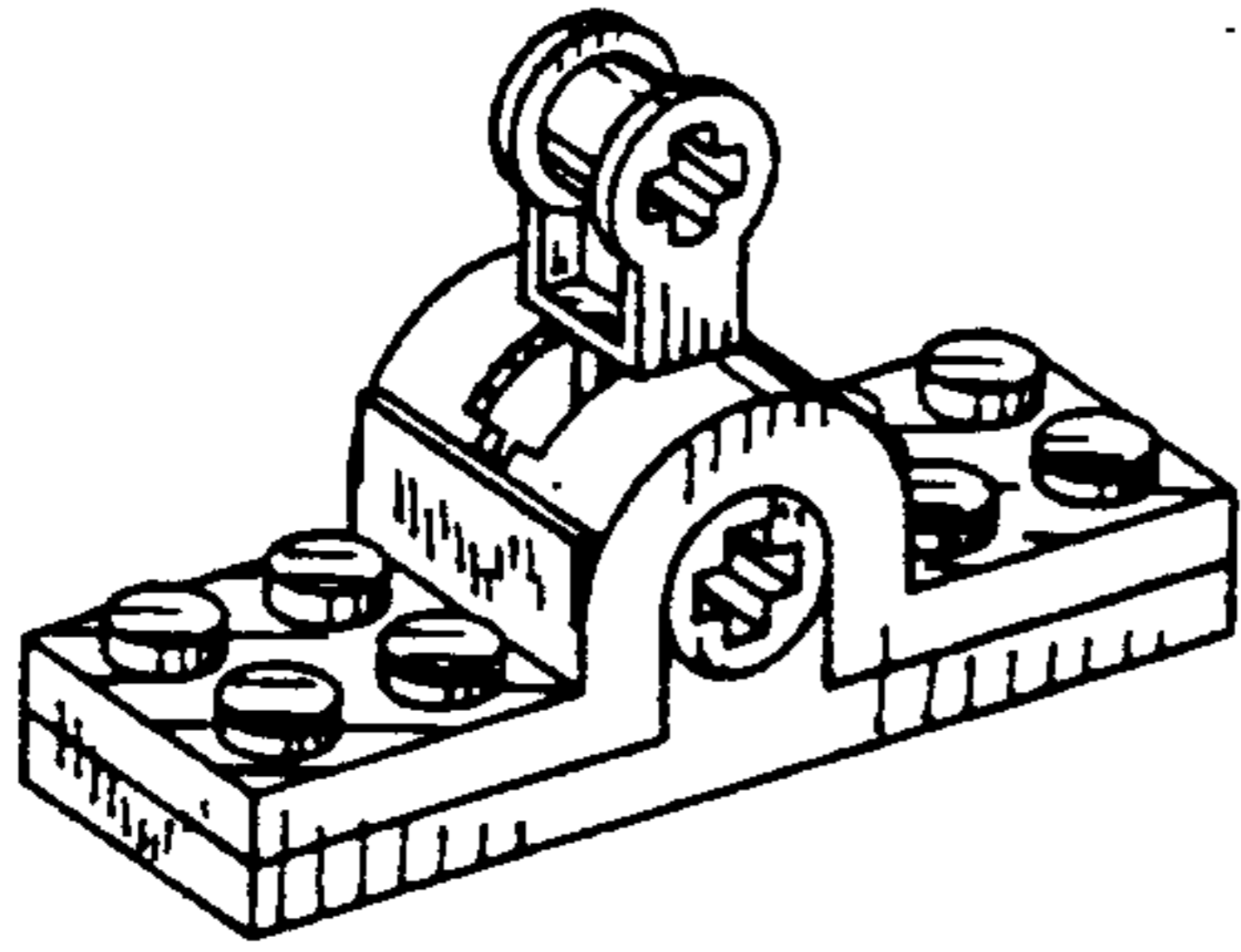


FIG. 1

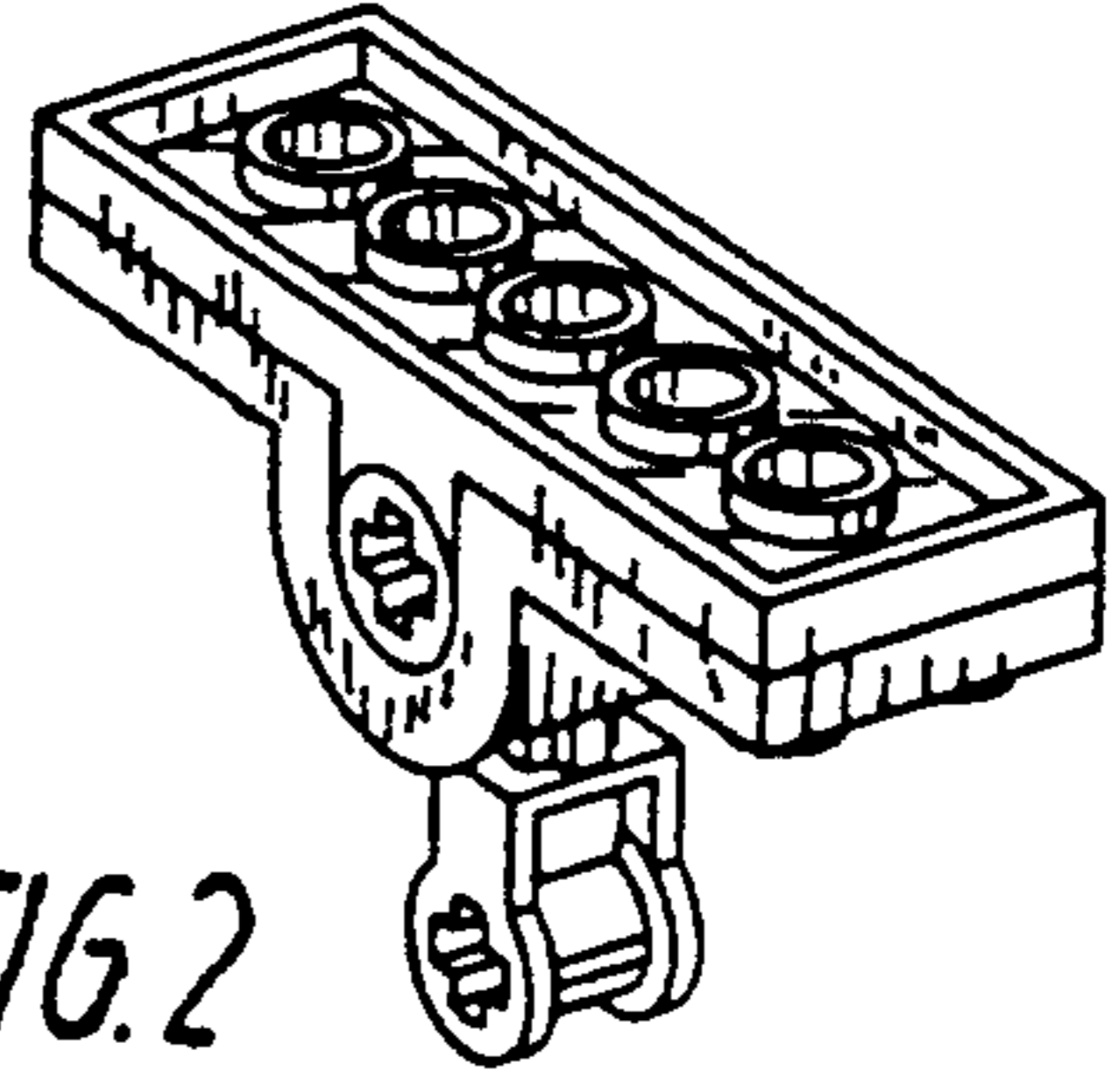


FIG. 2

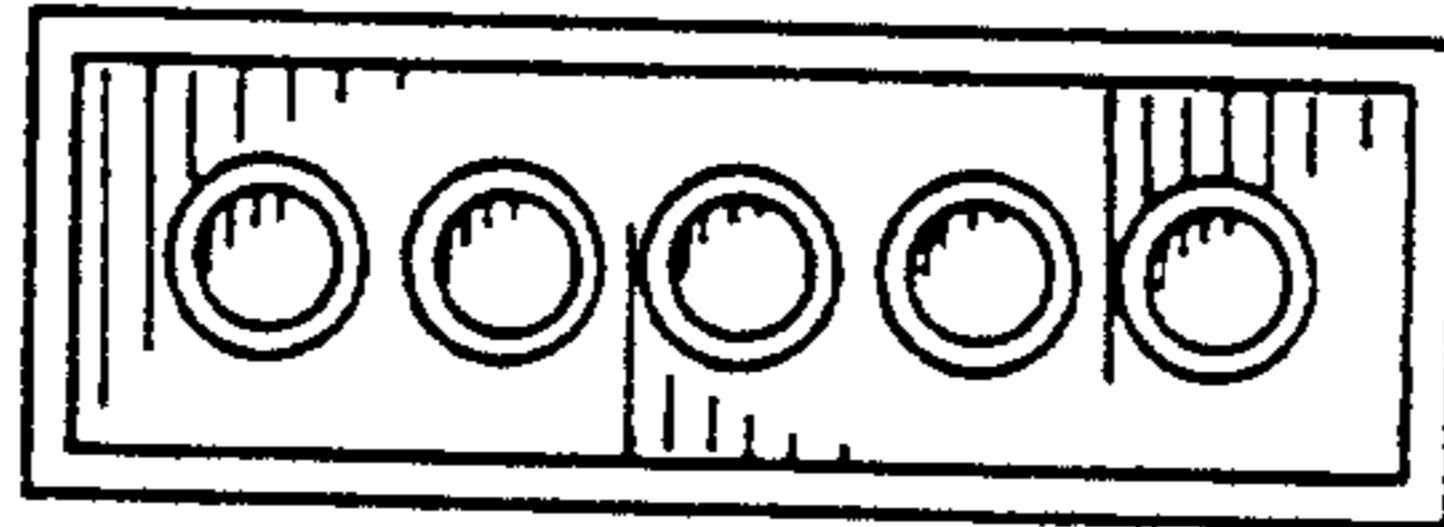


FIG. 6

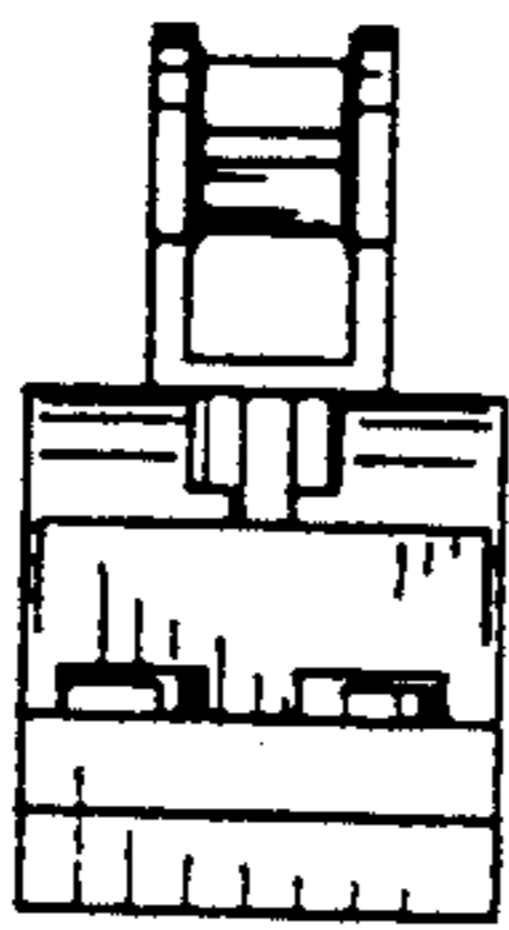


FIG. 4

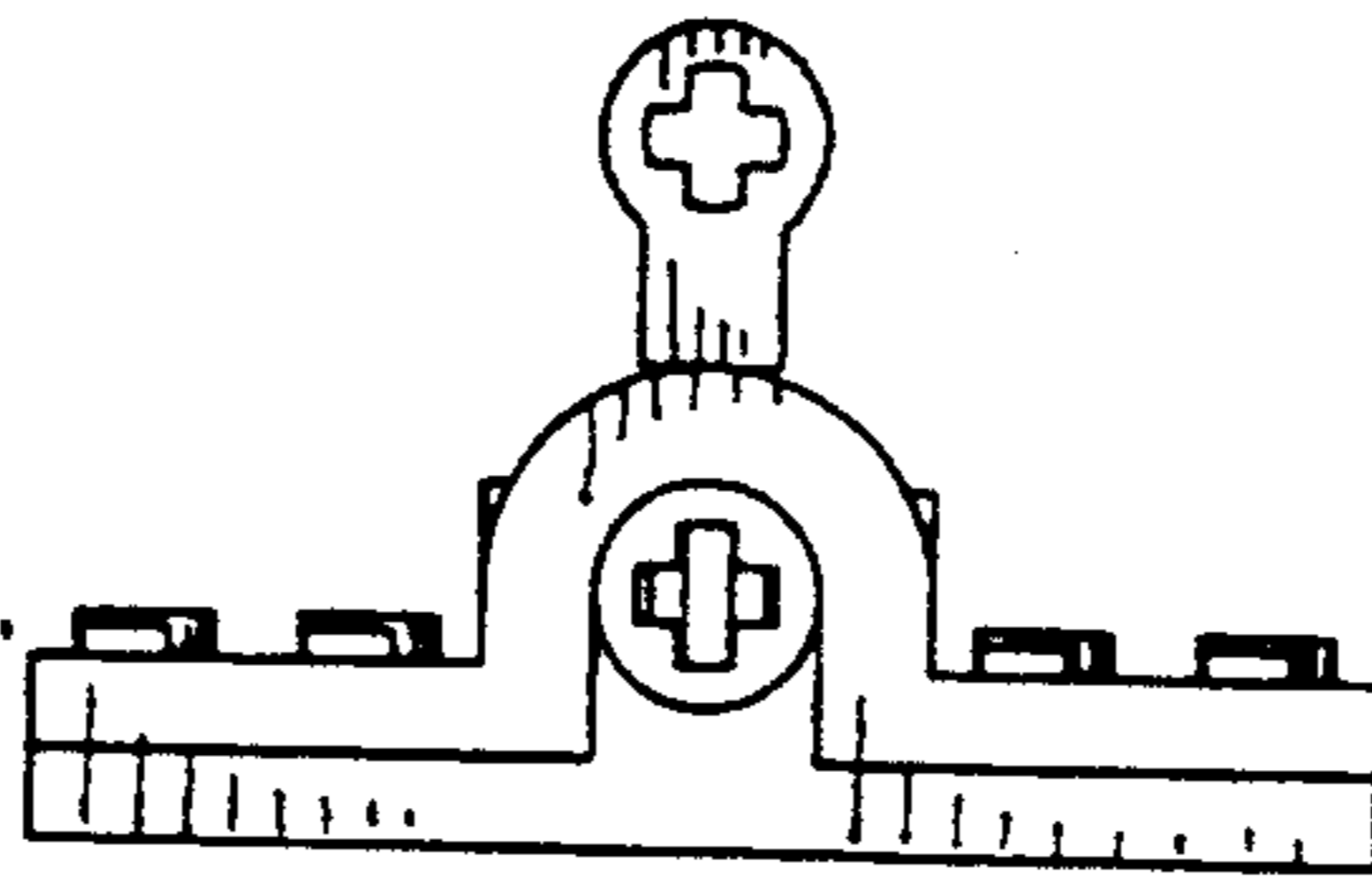


FIG. 3

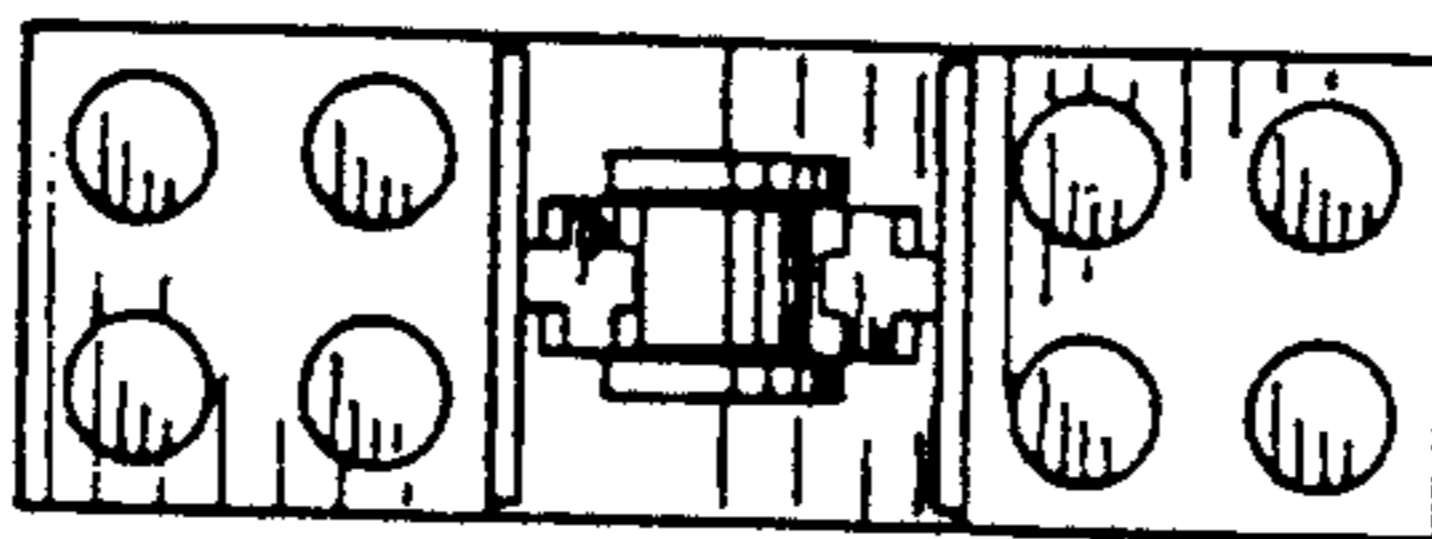


FIG. 5