



US00D343426S

United States Patent [19] Sher

[11] Patent Number: Des. 343,426

[45] Date of Patent: ** Jan. 18, 1994

[54] TOY BUILDING BLOCK

[76] Inventor: Louis Y. Sher, 504 Copper Ridge,
Richardson, Tex. 75080

[**] Term: 14 Years

[21] Appl. No.: 819,934

[22] Filed: Jan. 13, 1992

[52] U.S. Cl. D21/108

[58] Field of Search 446/100, 102, 125, 128,
446/120, 487; D21/108

D. 311,939 11/1990 Andersen D21/108
D. 315,381 3/1991 Meyer D21/108
1,216,840 2/1917 Ramsey D21/108

Primary Examiner—Bernard Ansher
Assistant Examiner—R. Barkai

[57] CLAIM

The ornamental design for a toy building block, as shown.

DESCRIPTION

FIG. 1 is a perspective view showing the front, right side and top of the toy building block showing my design;

FIG. 2 is a right view thereof;

FIG. 3 is a left side view thereof;

FIG. 4 is a front view thereof;

FIG. 5 is a top view thereof; and,

FIG. 6 is a bottom view thereof.

[56] References Cited

U.S. PATENT DOCUMENTS

D. 181,962 1/1958 Ehrmann D21/108
D. 233,541 11/1974 Christiansen D21/108
D. 277,686 2/1985 Chatani D21/108
D. 285,813 9/1986 Takahashi D21/108
D. 301,260 5/1989 McLaughlin D21/108

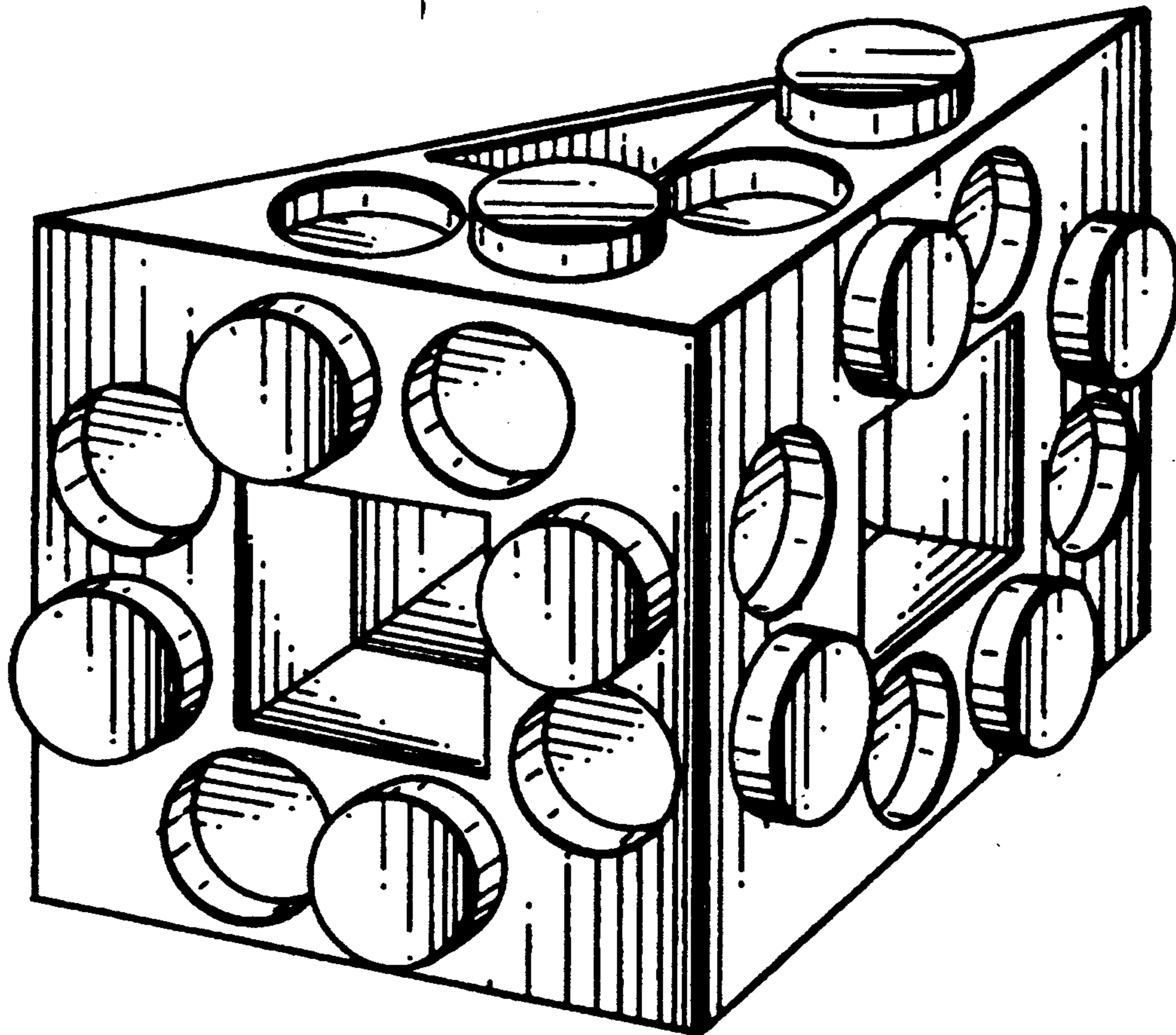


FIG. 1

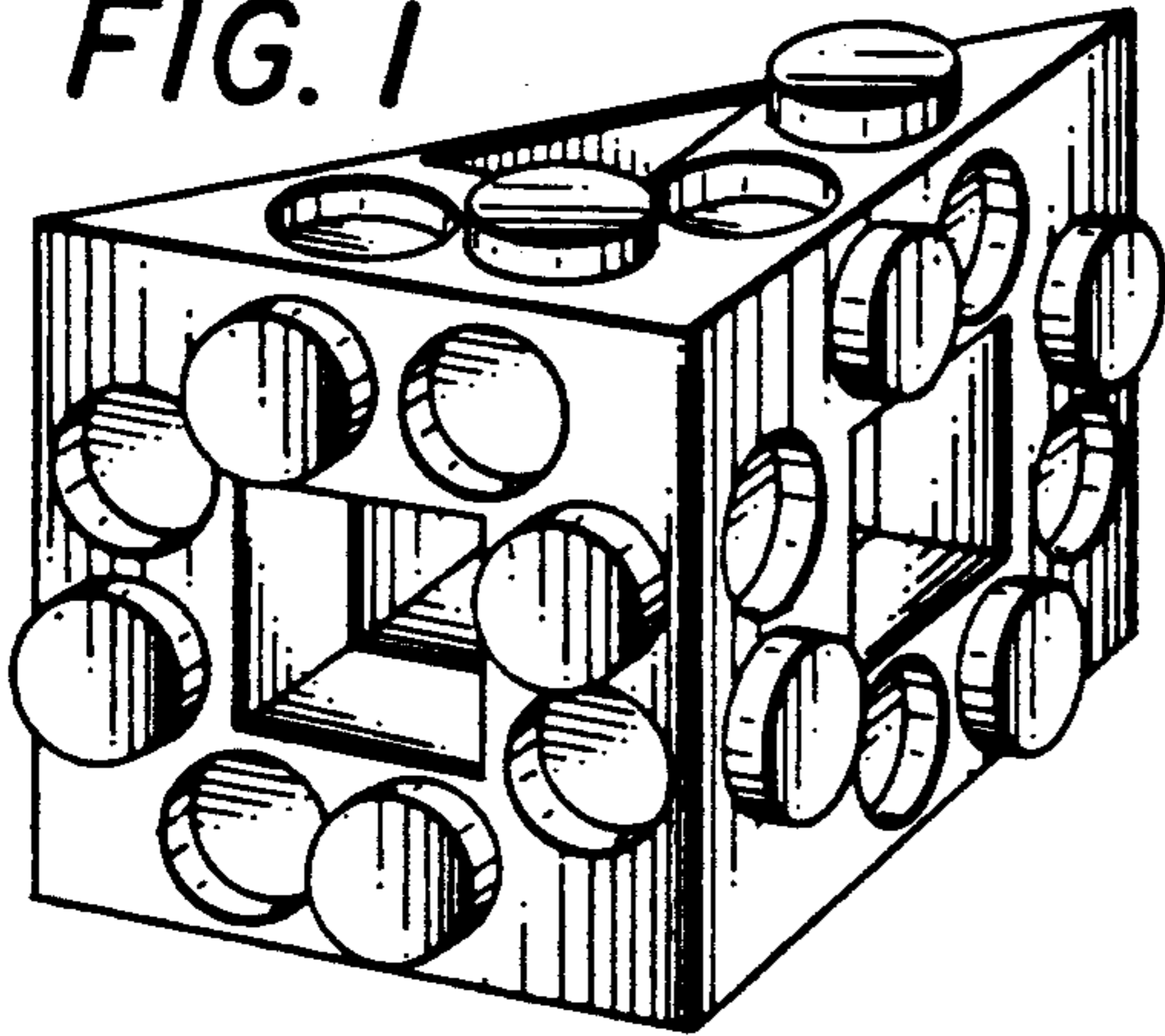


FIG. 2

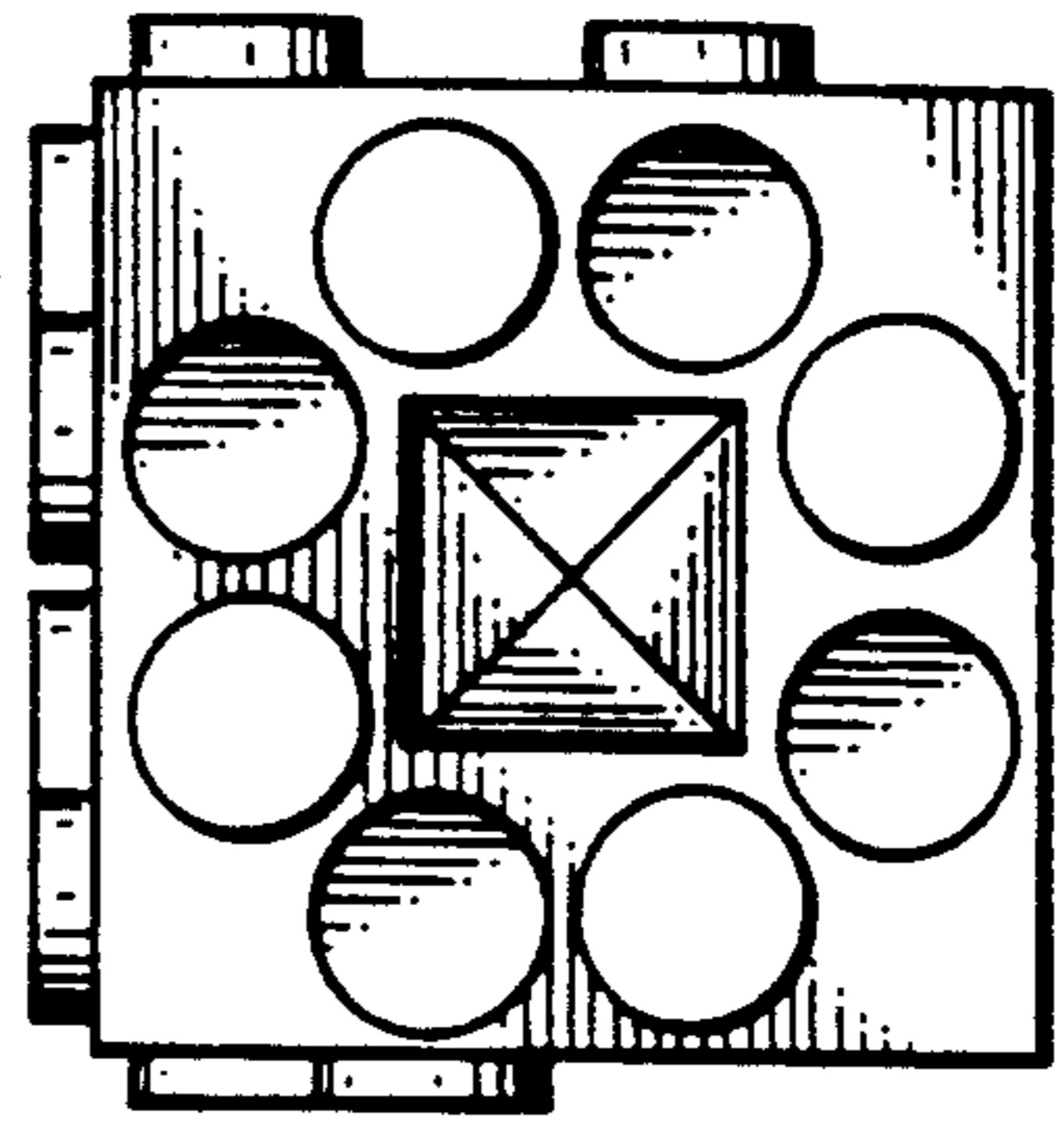


FIG. 3

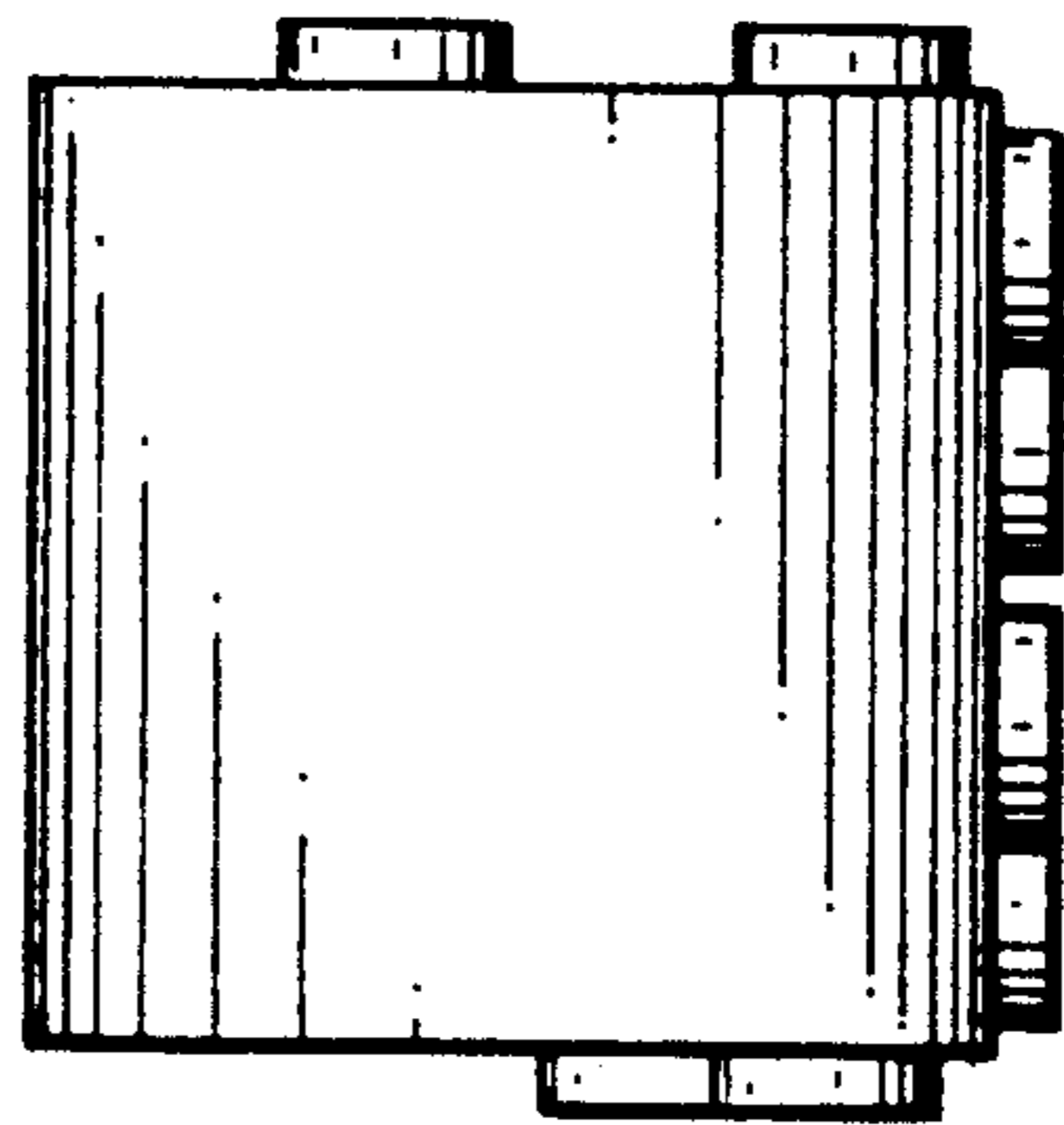


FIG. 4

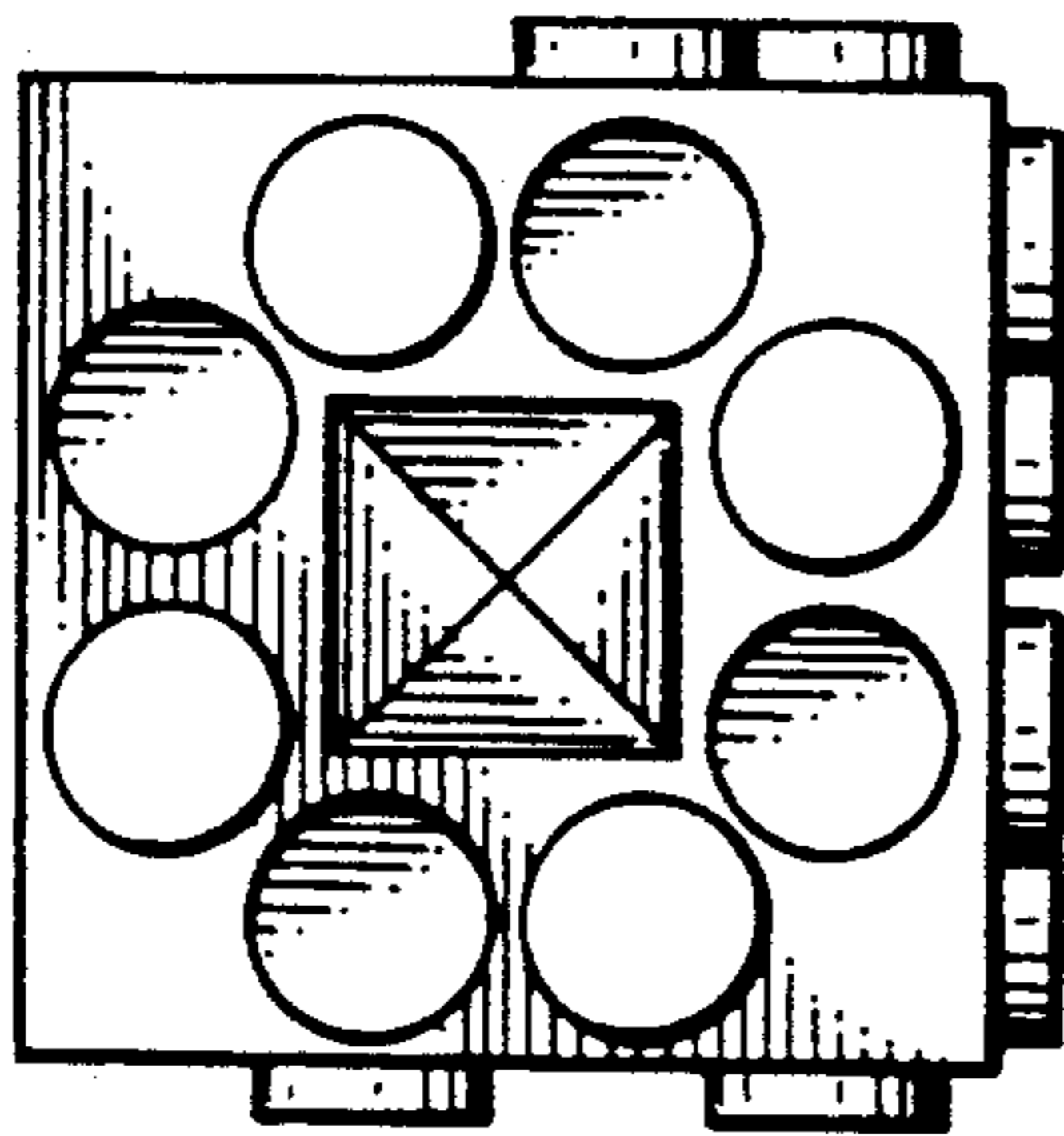


FIG. 5

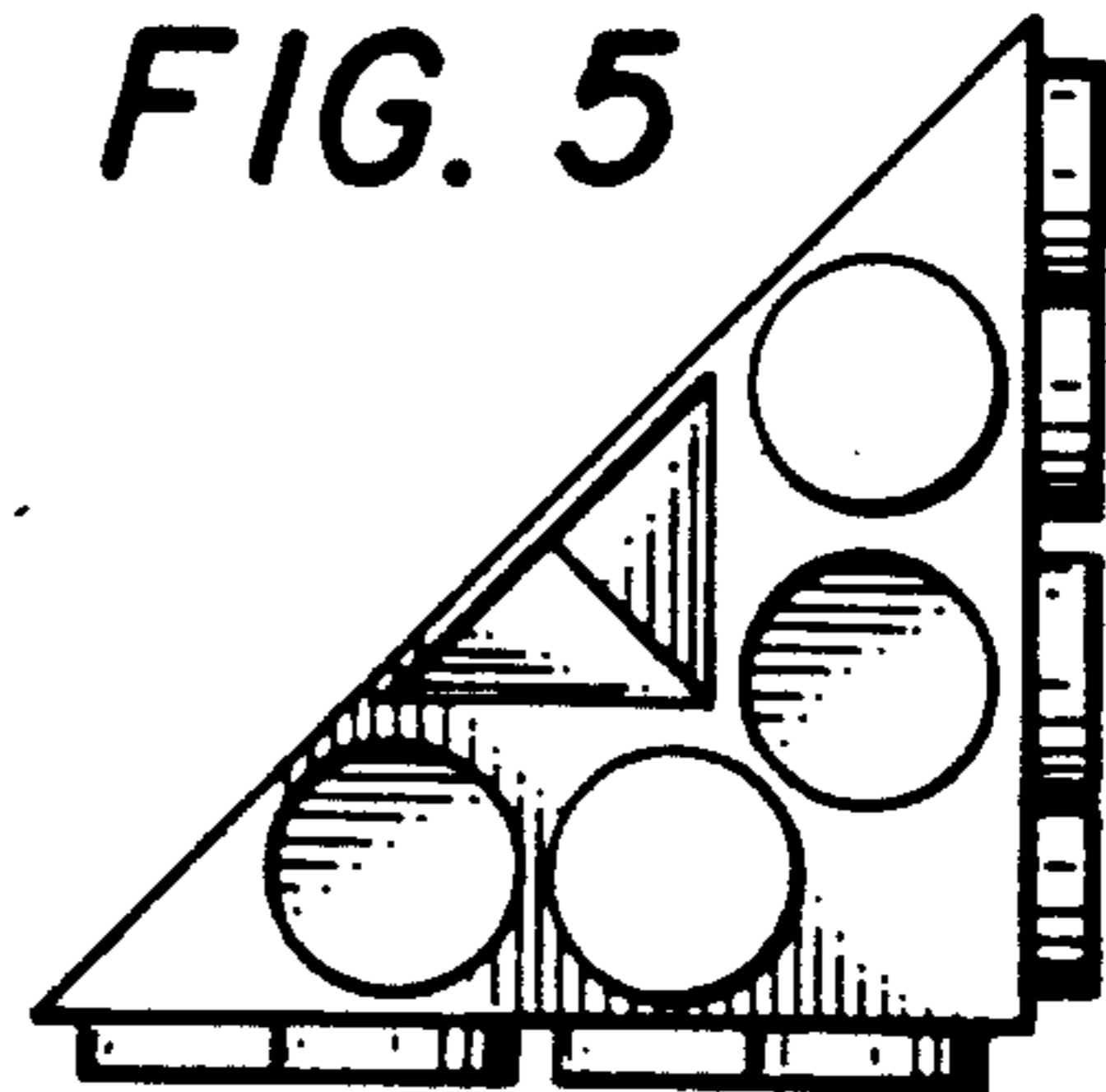


FIG. 6

