



US00D343417S

# United States Patent [19]

[11] Patent Number: **Des. 343,417**

**Tarozzi**

[45] Date of Patent: **\*\* Jan. 18, 1994**

[54] **COMBINED PORTABLE EASEL AND STORAGE TRAY FOR ARTIST'S SUPPLIES**

3,352,616 11/1967 Linger ..... 206/1.7  
4,294,348 10/1981 Hastings ..... 206/1.7  
4,971,284 11/1990 Curry ..... 248/165 X

[75] Inventor: **Richard A. Tarozzi**, Gales Ferry, Conn.

### OTHER PUBLICATIONS

[73] Assignee: **Binney & Smith Inc.**, Easton, Pa.

Photocopy of the box for Sesame Street easel, publication date unknown.

[\*\*] Term: **14 Years**

*Primary Examiner*—Nelson C. Holtje  
*Assistant Examiner*—Martha Thompson  
*Attorney, Agent, or Firm*—Leydig, Voit & Mayer

[21] Appl. No.: **861,660**

[22] Filed: **Apr. 1, 1992**

[52] U.S. Cl. .... **D19/36; D19/35; D19/52; D19/83; D19/88**

[58] Field of Search ..... **D3/30.1, 74, 78; 206/1.7-1.9, 214, 371; 248/441.1, 463, 165; D19/35, 36, 52, 75, 81-85, 88, 90, 99, 100; D21/59**

### [57] CLAIM

The ornamental design for a combined portable easel and storage tray for artist's supplies, as shown and described.

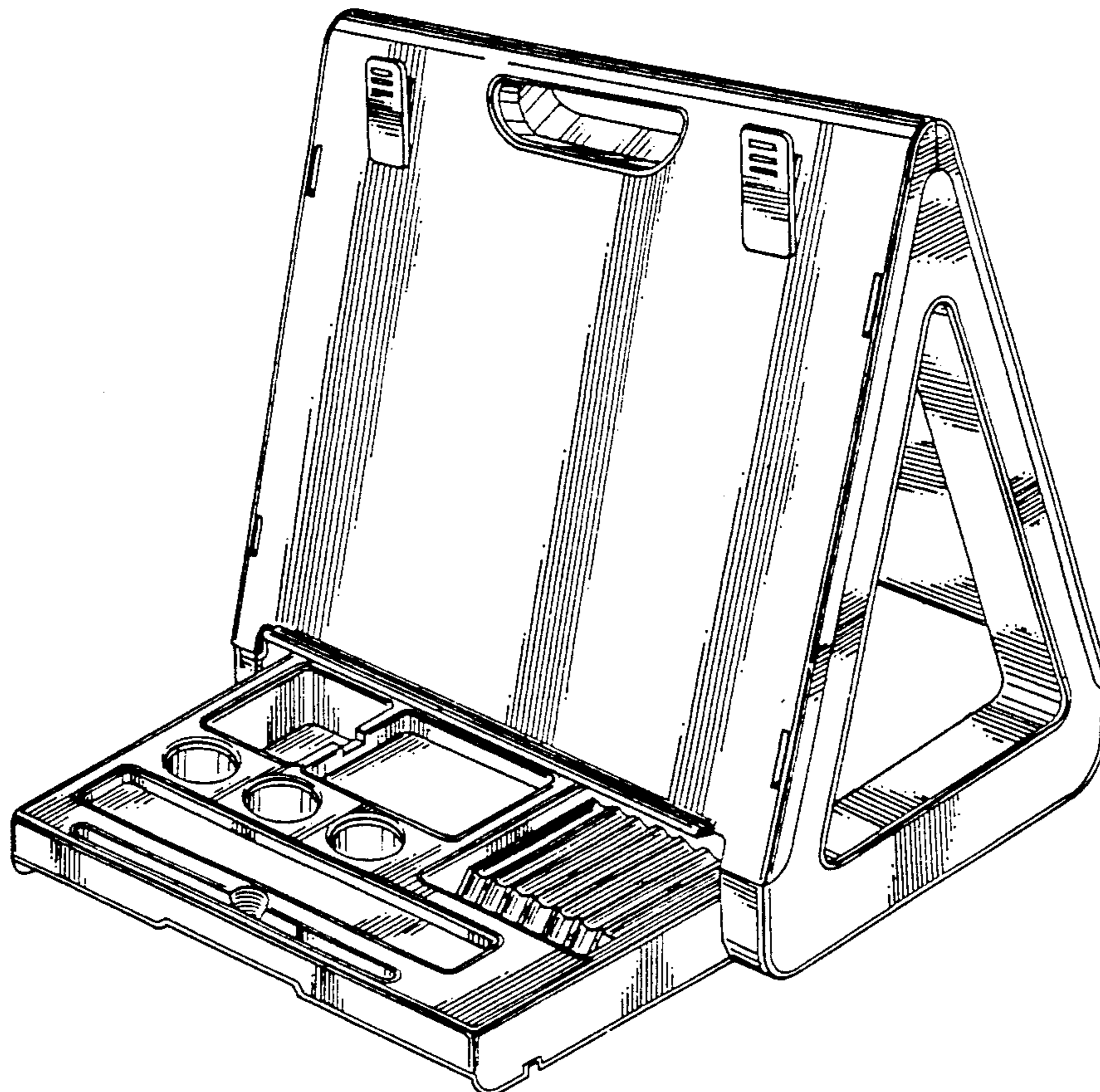
### [56] References Cited

### DESCRIPTION

#### U.S. PATENT DOCUMENTS

D. 090,769	9/1933	Kamen	.....	D19/36
D. 153,339	4/1949	Deckinger	.....	D19/35
D. 252,758	8/1979	Prall	.....	D19/52 X
274,629	3/1883	Merrill	.....	248/463
D. 279,489	7/1985	Mak	.....	D21/59
D. 280,649	9/1985	Iwabuchi	.....	D21/59 X
D. 282,752	2/1986	Olivetti	.....	D19/35 X
D. 330,045	10/1992	Dietterich et al.	.....	D19/36
1,625,647	4/1927	Gillan	.....	248/463 X
2,676,777	4/1954	Moushon	.....	248/463

FIG. 1 is a front perspective view of a combined portable easel and storage tray for artist's supplies showing my new design;  
FIG. 2 is a front perspective view thereof in an exploded condition;  
FIG. 3 is a side elevational view thereof;  
FIG. 4 is a rear elevational view thereof;  
FIG. 5 is a top plan view thereof;  
FIG. 6 is a perspective view thereof with the tray in an extended position;  
FIG. 7 is a bottom plan view thereof; and,  
FIG. 8 is a front elevational view thereof.



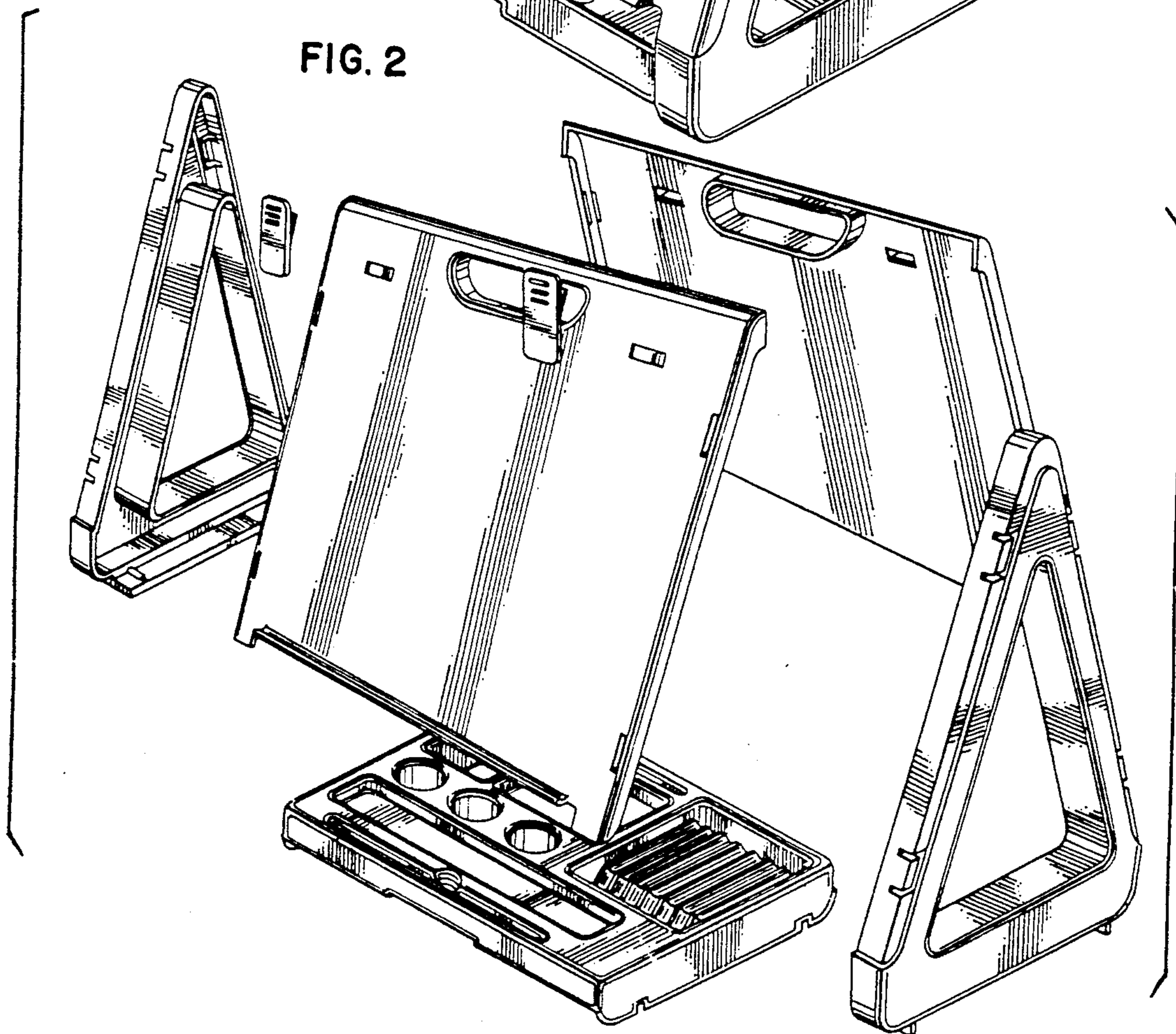
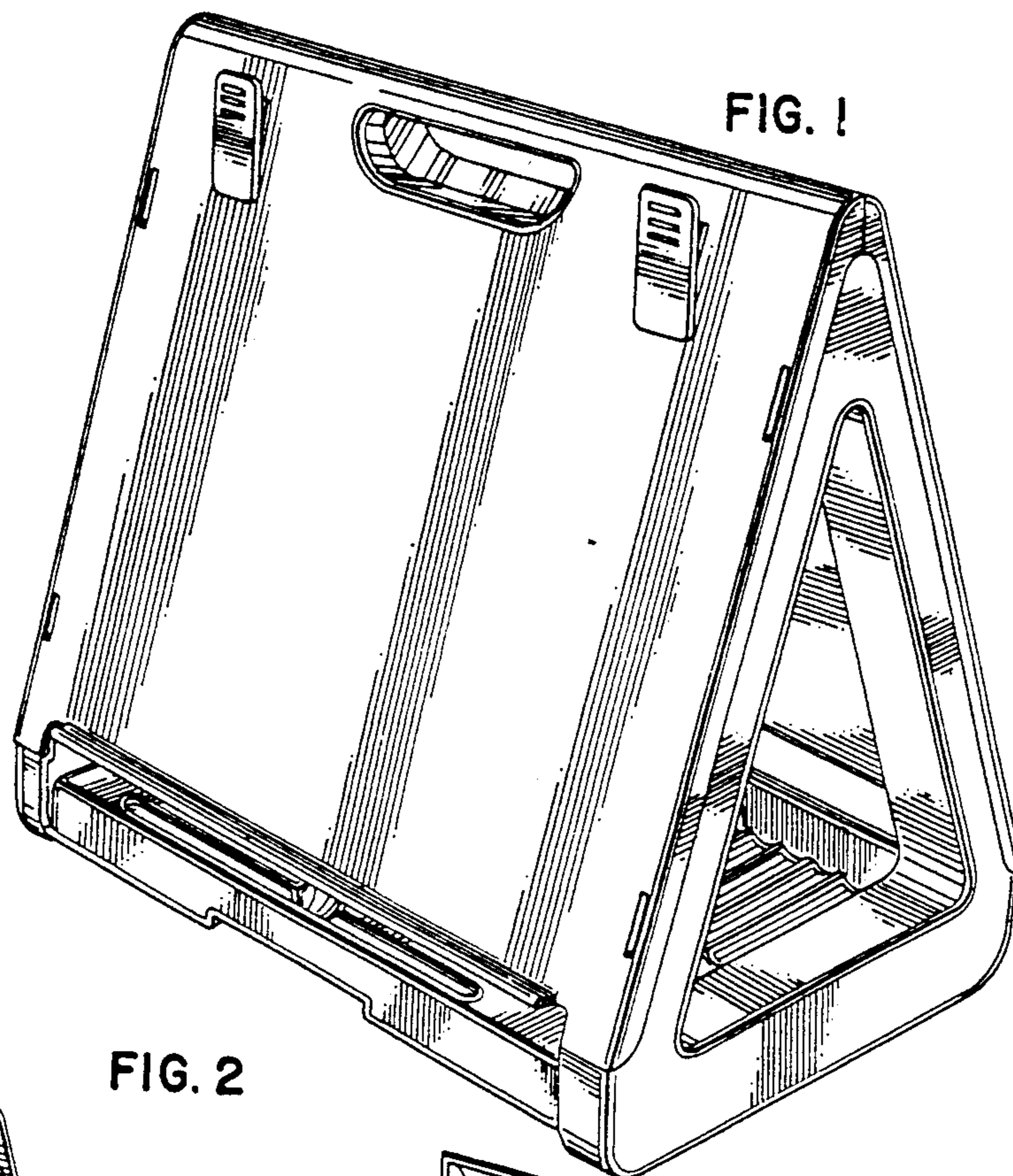


FIG. 4

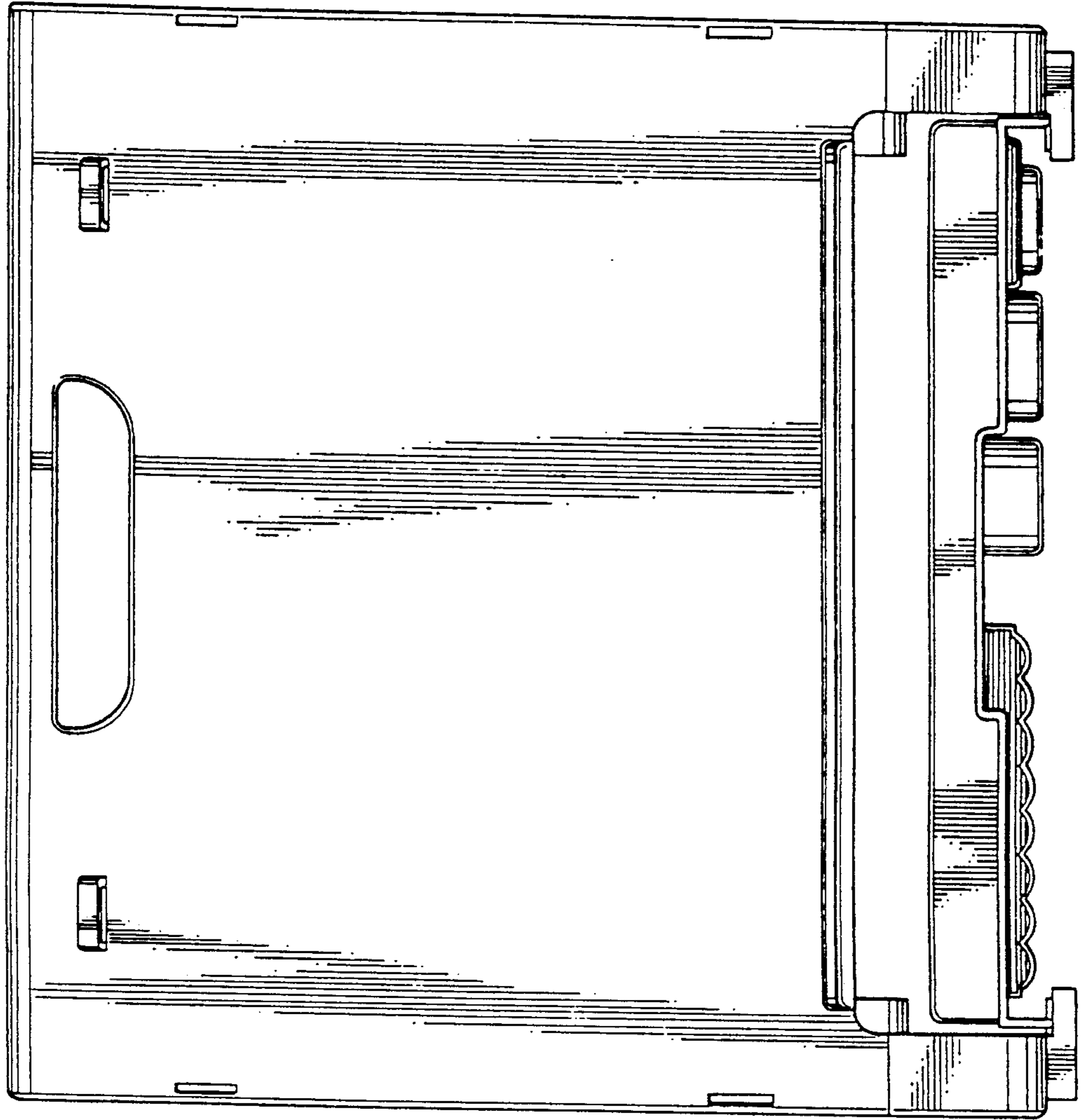


FIG. 3

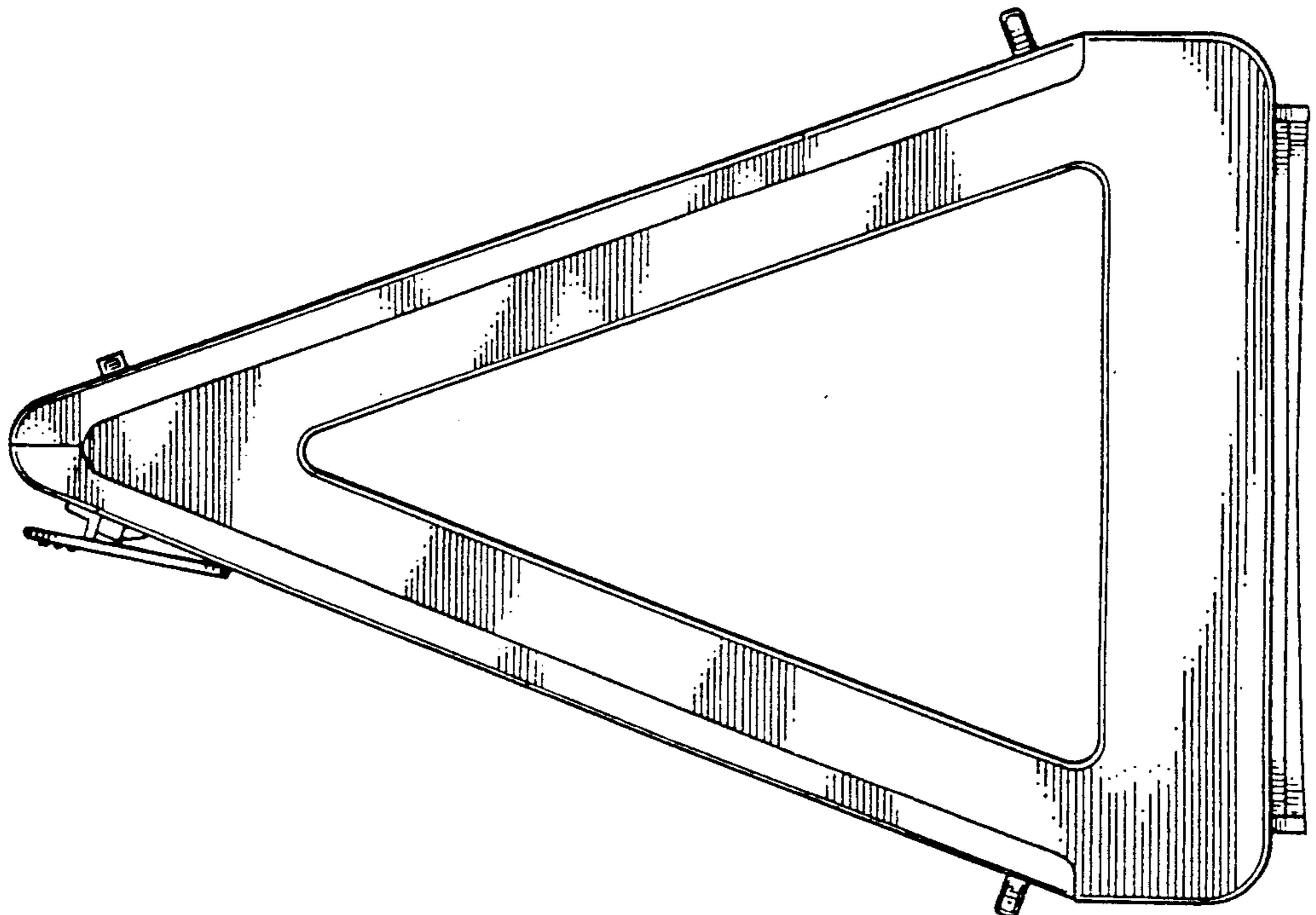


FIG. 5

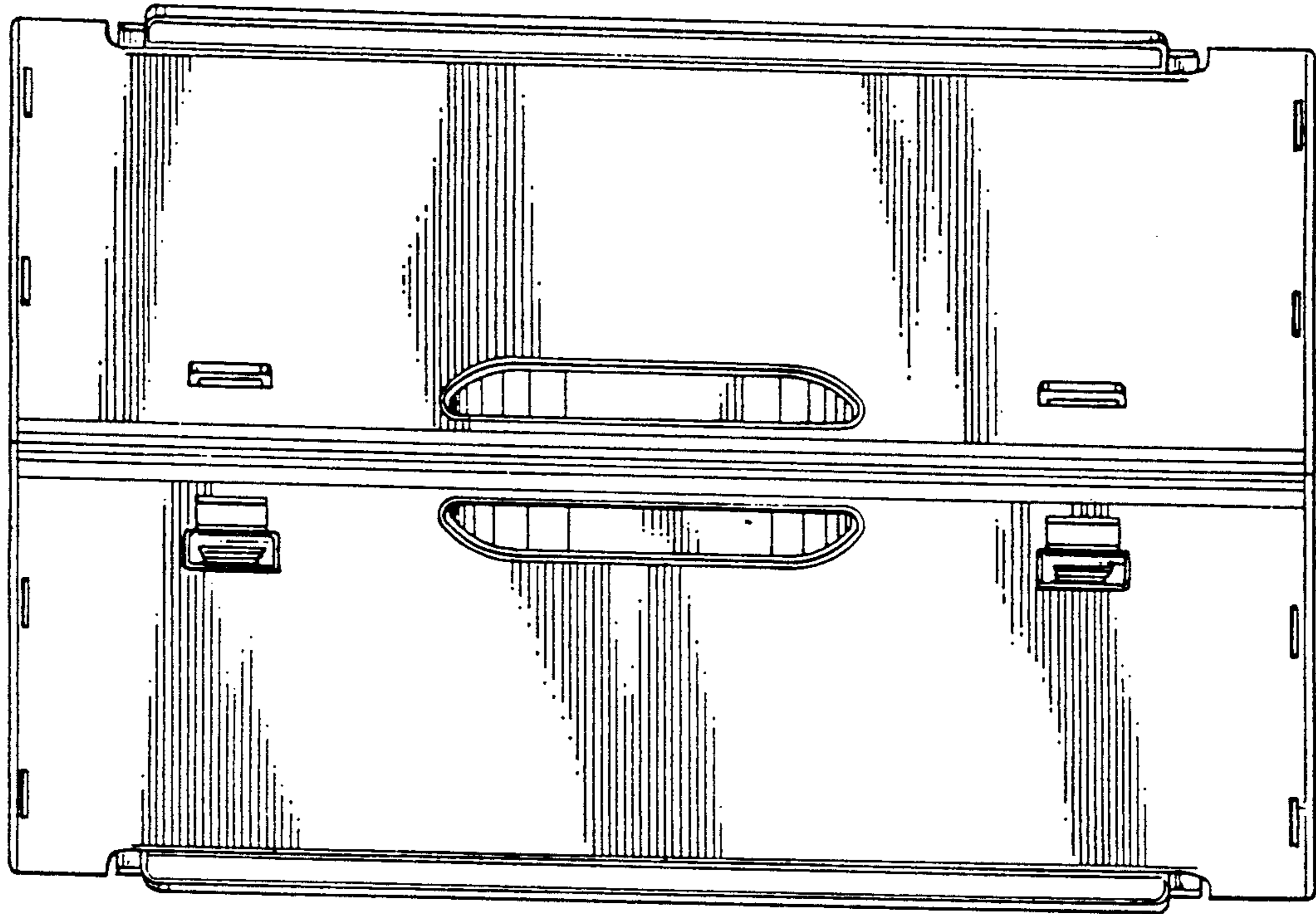


FIG. 6

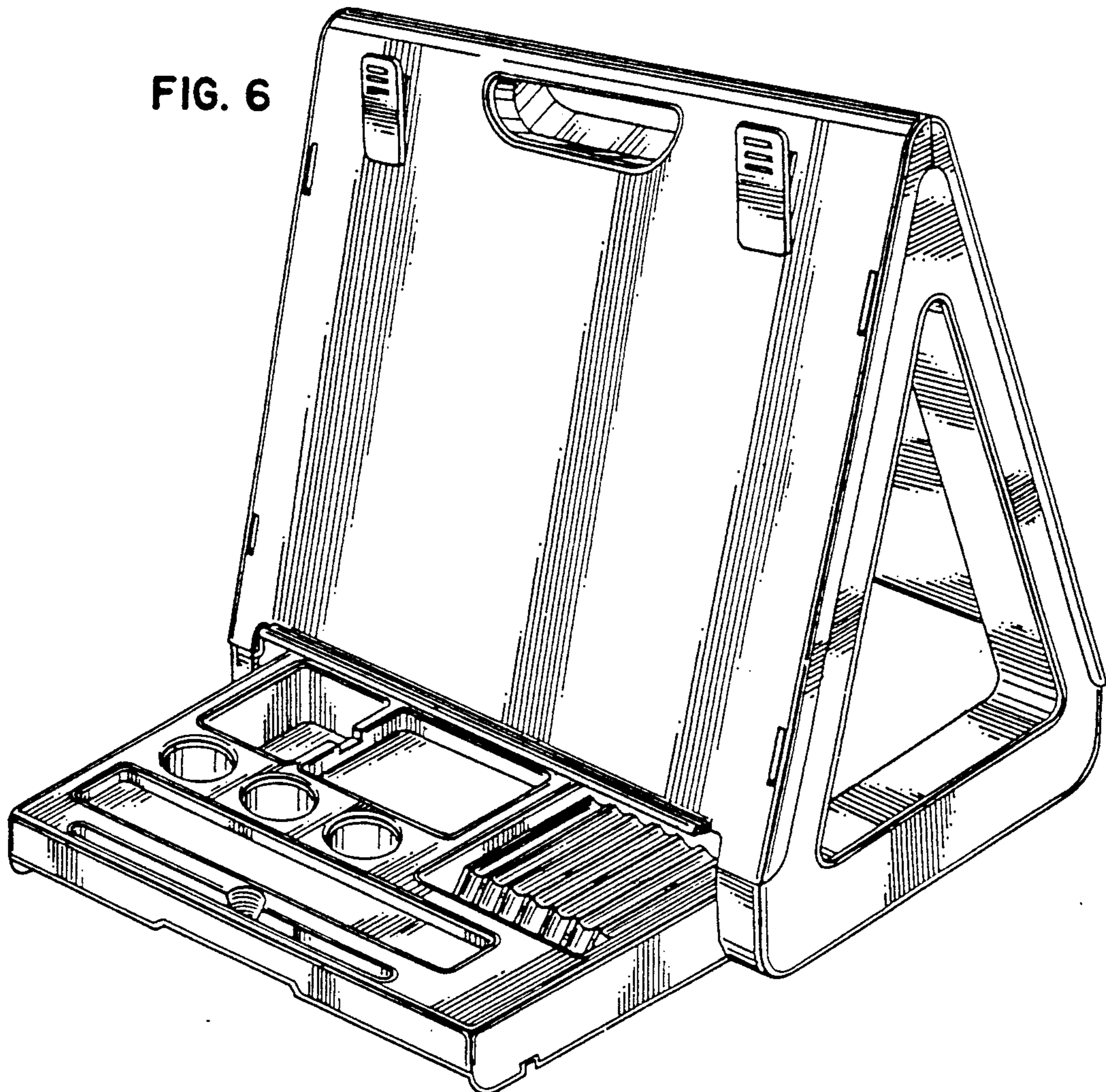


FIG. 7

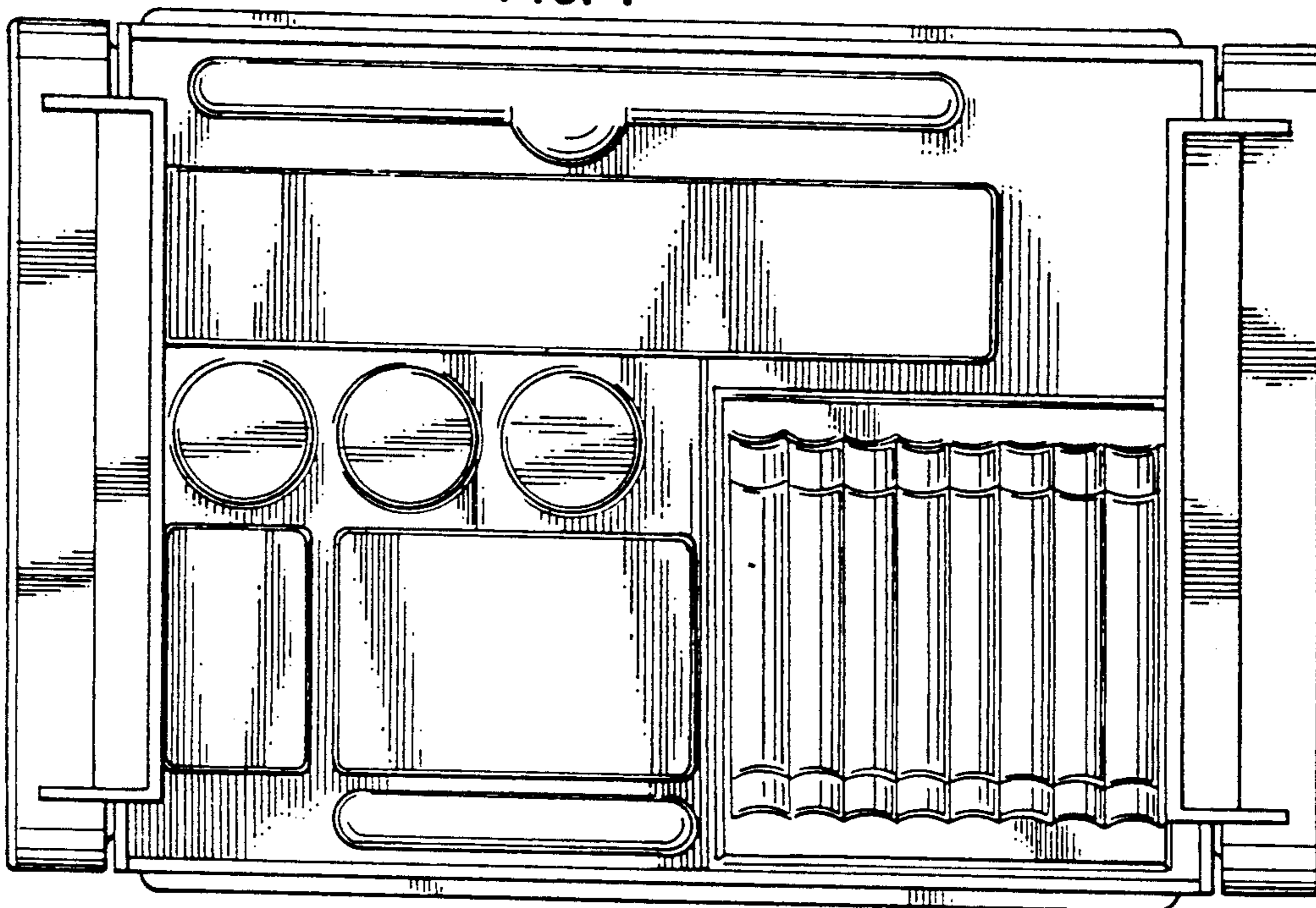


FIG. 8

