



US00D343415S

# United States Patent [19]

[11] Patent Number: **Des. 343,415**

Nakazato et al.

[45] Date of Patent: **\*\* Jan. 18, 1994**

## [54] PRINTER FOR A COMPUTER

[75] Inventors: **Maki Nakazato, Kasukabe; Katsumi Kishi, Kawasaki, both of Japan**

[73] Assignee: **Tokyo Electric Co., Ltd., Tokyo, Japan**

[\*\*] Term: **14 Years**

[21] Appl. No.: **914,614**

[22] Filed: **Jul. 17, 1992**

### [30] Foreign Application Priority Data

Jan. 17, 1992 [JP] Japan ..... 4-1019

[52] U.S. Cl. .... **D18/55**

[58] Field of Search ..... 400/690-691, 400/613.1-613.4, 613, 691.1-691.4; D18/50, 54, 55

### [56] References Cited

#### U.S. PATENT DOCUMENTS

D. 274,725	7/1984	Izaki .....	D18/54
D. 287,973	1/1987	Kato et al. ....	D18/54
D. 292,212	10/1987	Eto et al. ....	D18/54
D. 296,101	6/1988	Hidaka et al. ....	D18/54
D. 297,844	9/1988	Sugimoto .....	D18/54
D. 305,435	1/1990	Omino et al. ....	D18/54
D. 305,908	2/1990	Fujiwara .....	D18/54
D. 326,278	5/1992	Grosse .....	D18/54

### FOREIGN PATENT DOCUMENTS

753604 10/1988 Japan ..... D18/LD18 50

### OTHER PUBLICATIONS

Quill Corporation Catalog; Jan./Feb. 1988; p. 5; item-Panasonic 136 Column Parallel Printer.

*Primary Examiner*—A. Hugo Word

*Assistant Examiner*—CathyAnne MacCormac

*Attorney, Agent, or Firm*—Oblon, Spivak, McClelland, Maier & Neustadt

### [57] CLAIM

The ornamental design for a printer for a computer, as shown and described.

### DESCRIPTION

FIG. 1 is a top, right and front perspective view of a printer for a computer, showing our design; FIG. 2 is a front elevational view thereof; FIG. 3 is a rear elevational view thereof; FIG. 4 is a top plan view thereof; FIG. 5 is a bottom view thereof; FIG. 6 is a right side elevational view thereof; FIG. 7 is a left side elevational view thereof; FIG. 8 is a sectional view thereof taken along line 8-9 FIG. 4;

FIG. 9 is a top, right and front perspective view thereof with the lid in an open position; and, FIG. 10 is a sectional view taken along line 10-10 in FIG. 9.

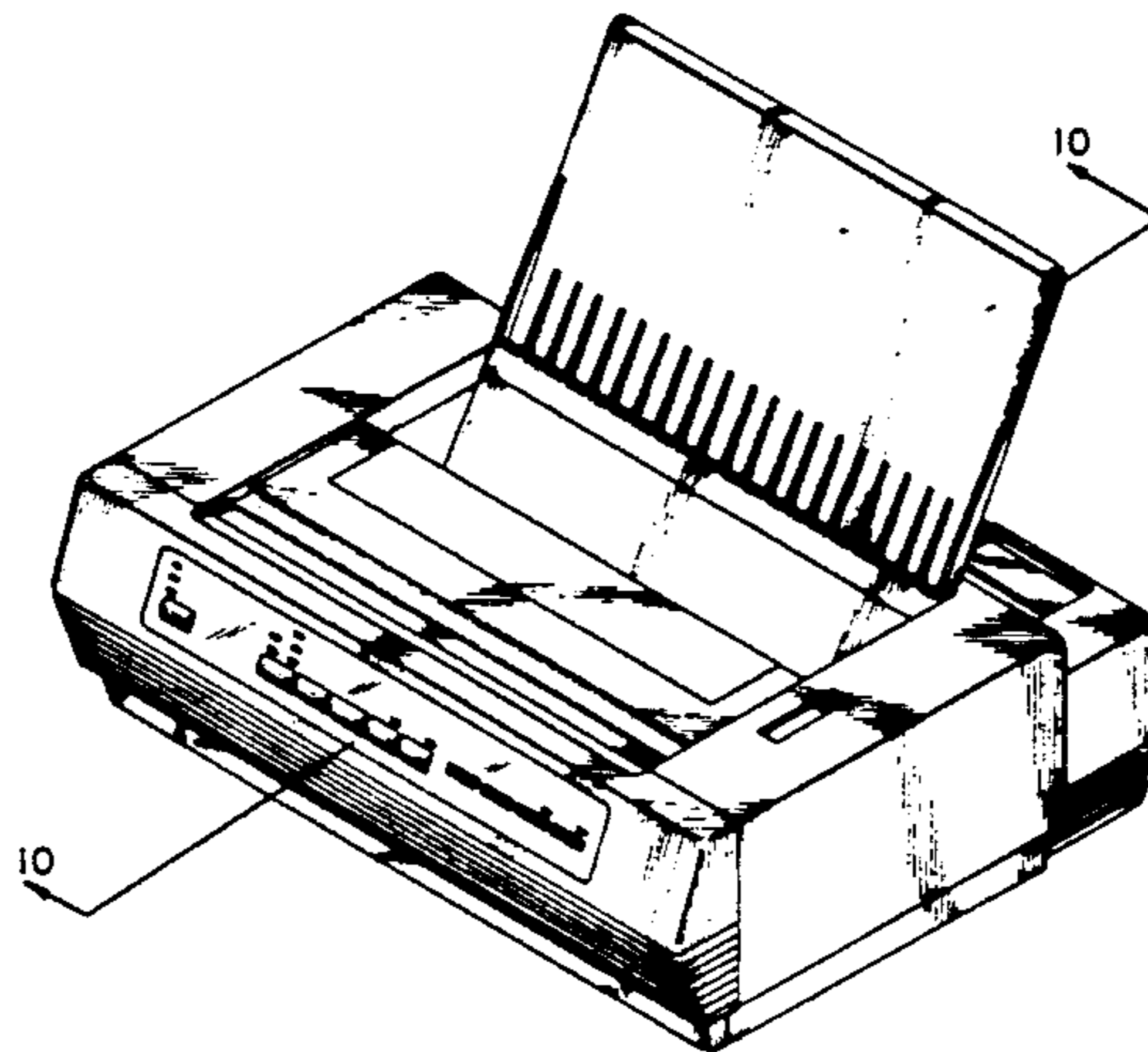
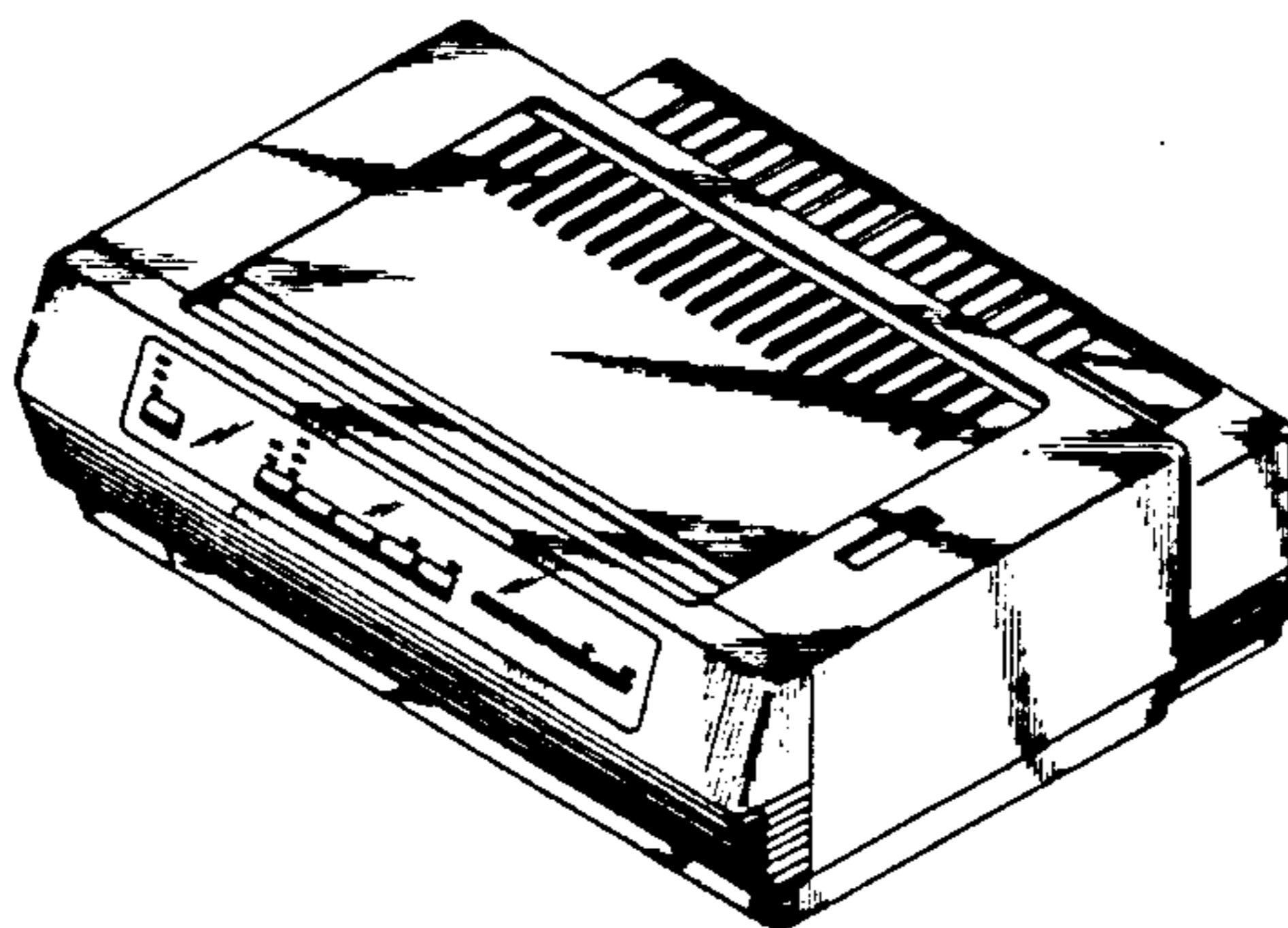


FIG. 1

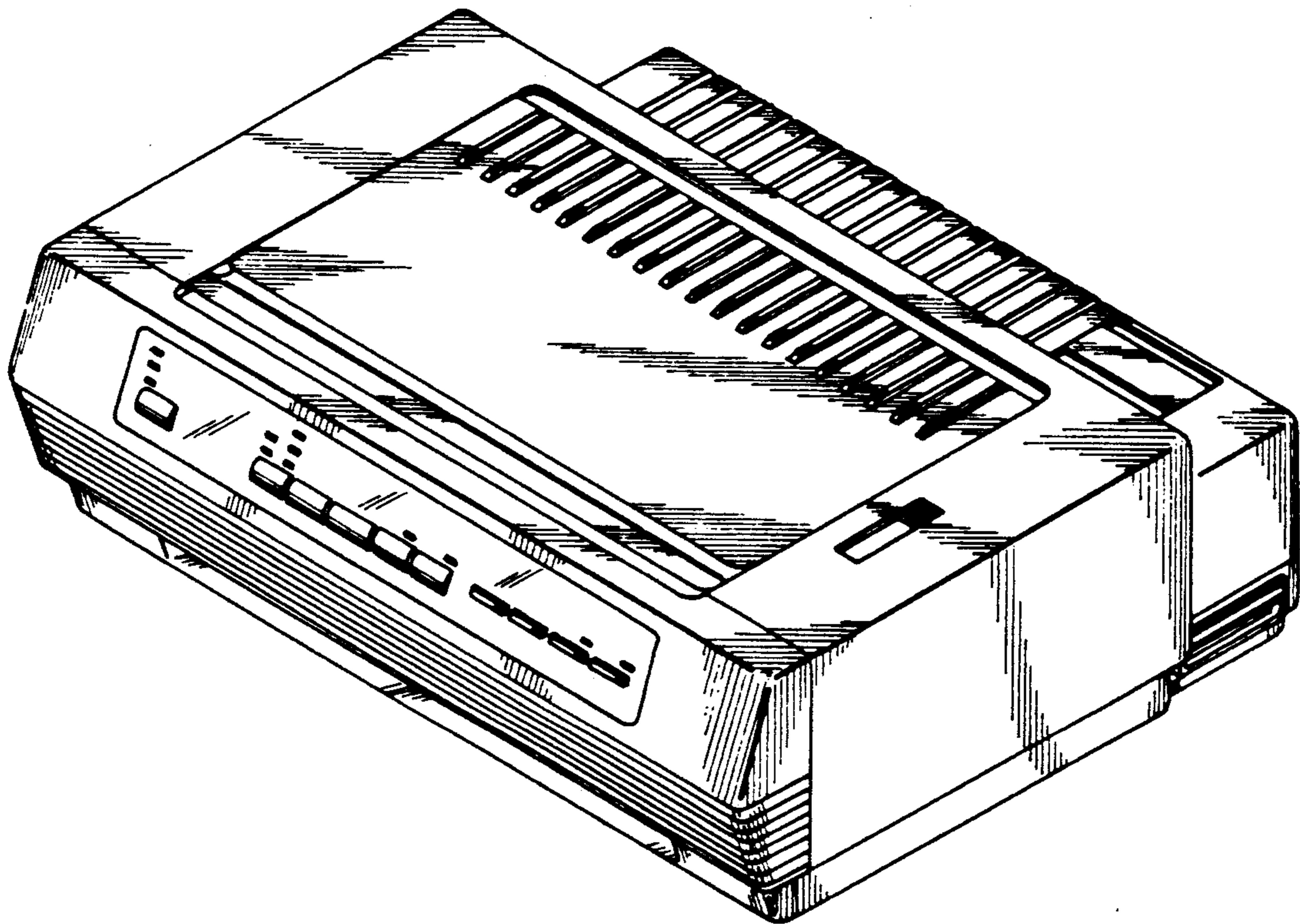


FIG. 2

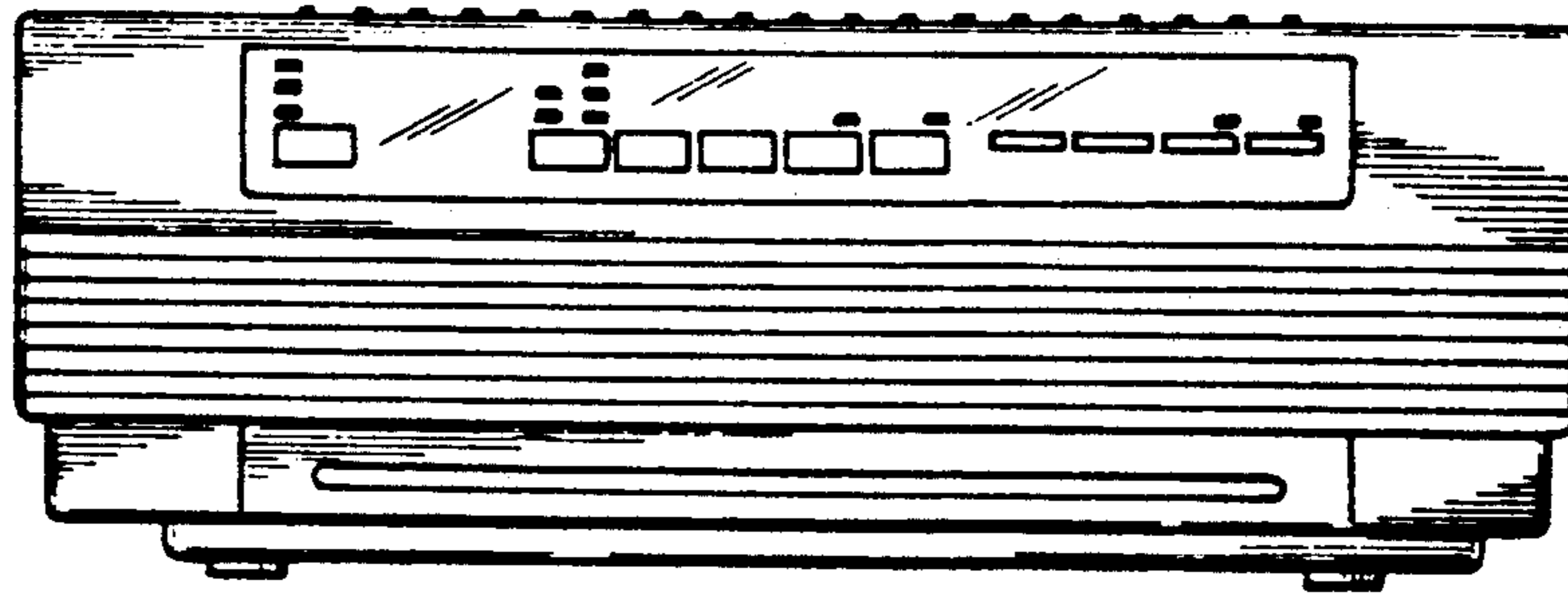


FIG. 3

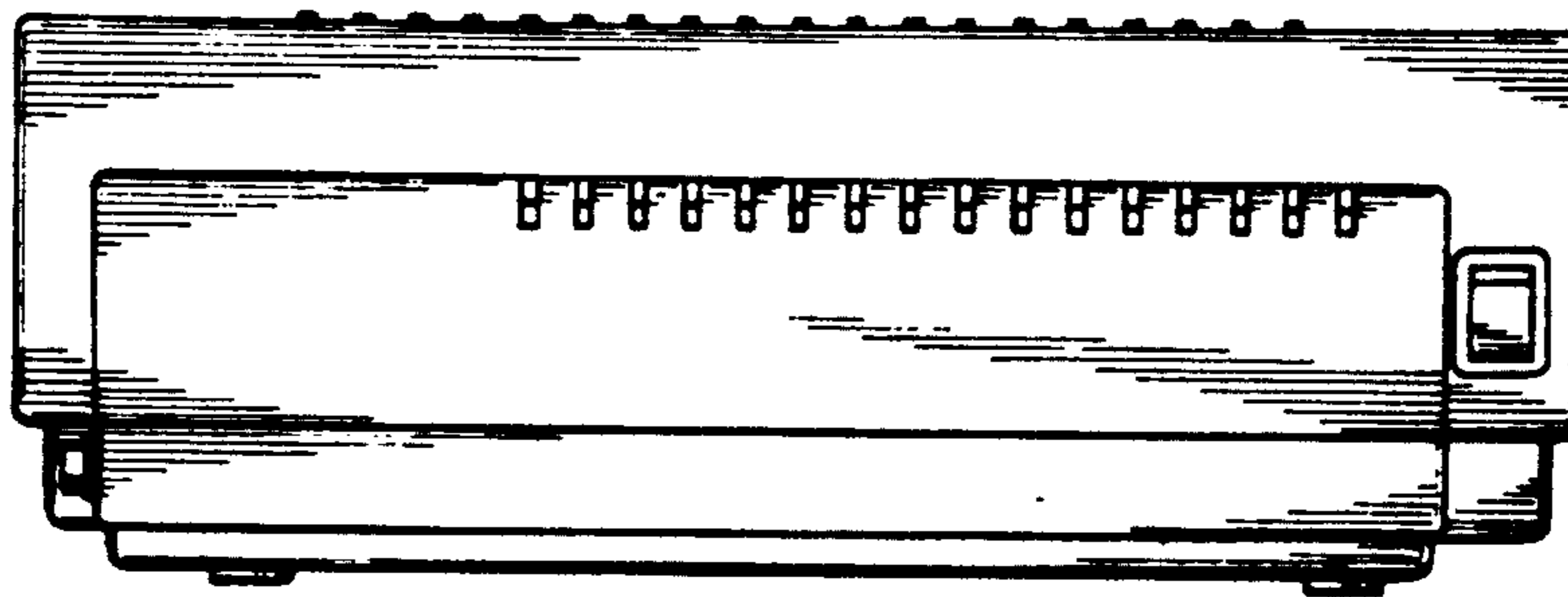


FIG. 4

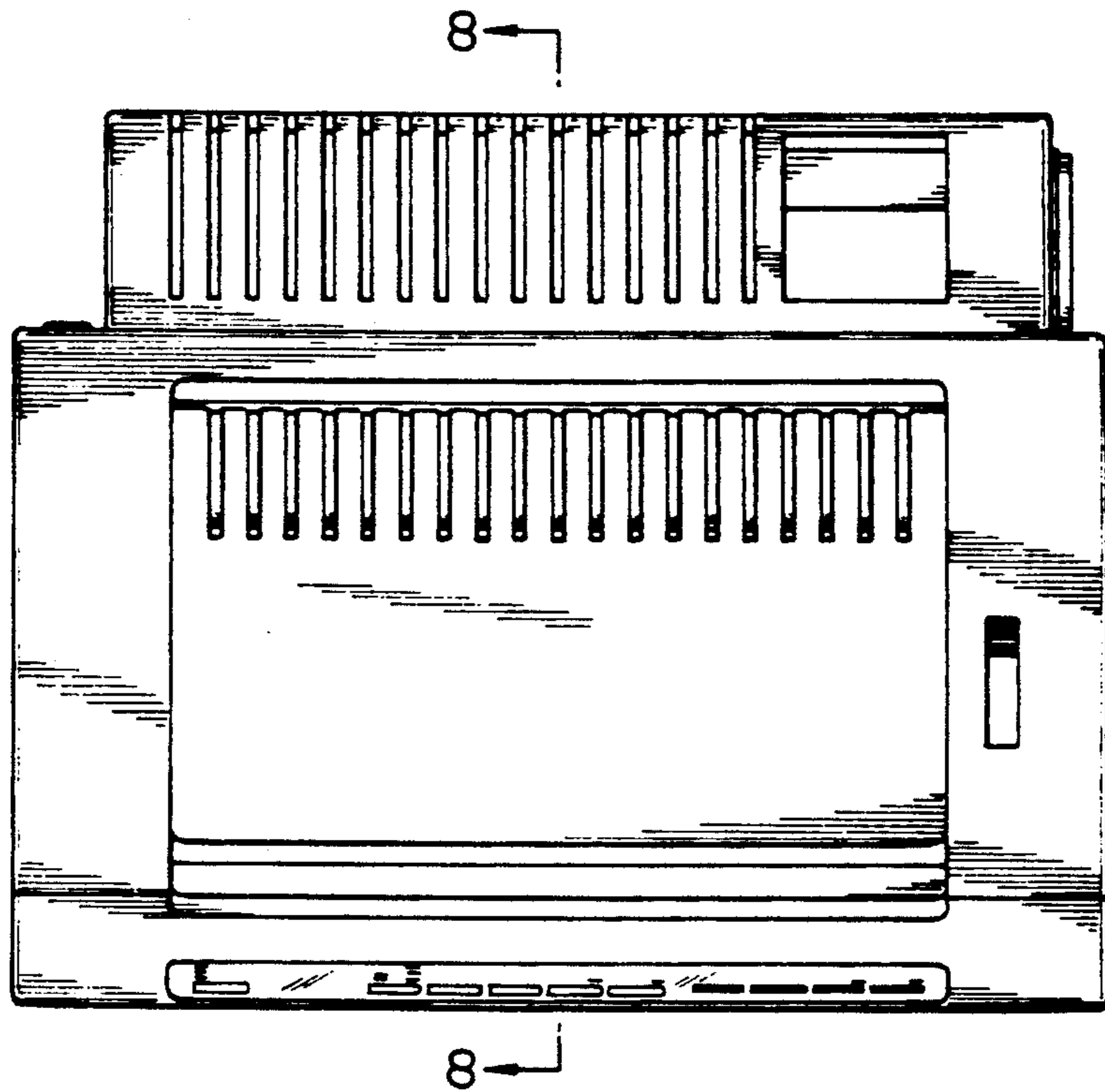


FIG. 5

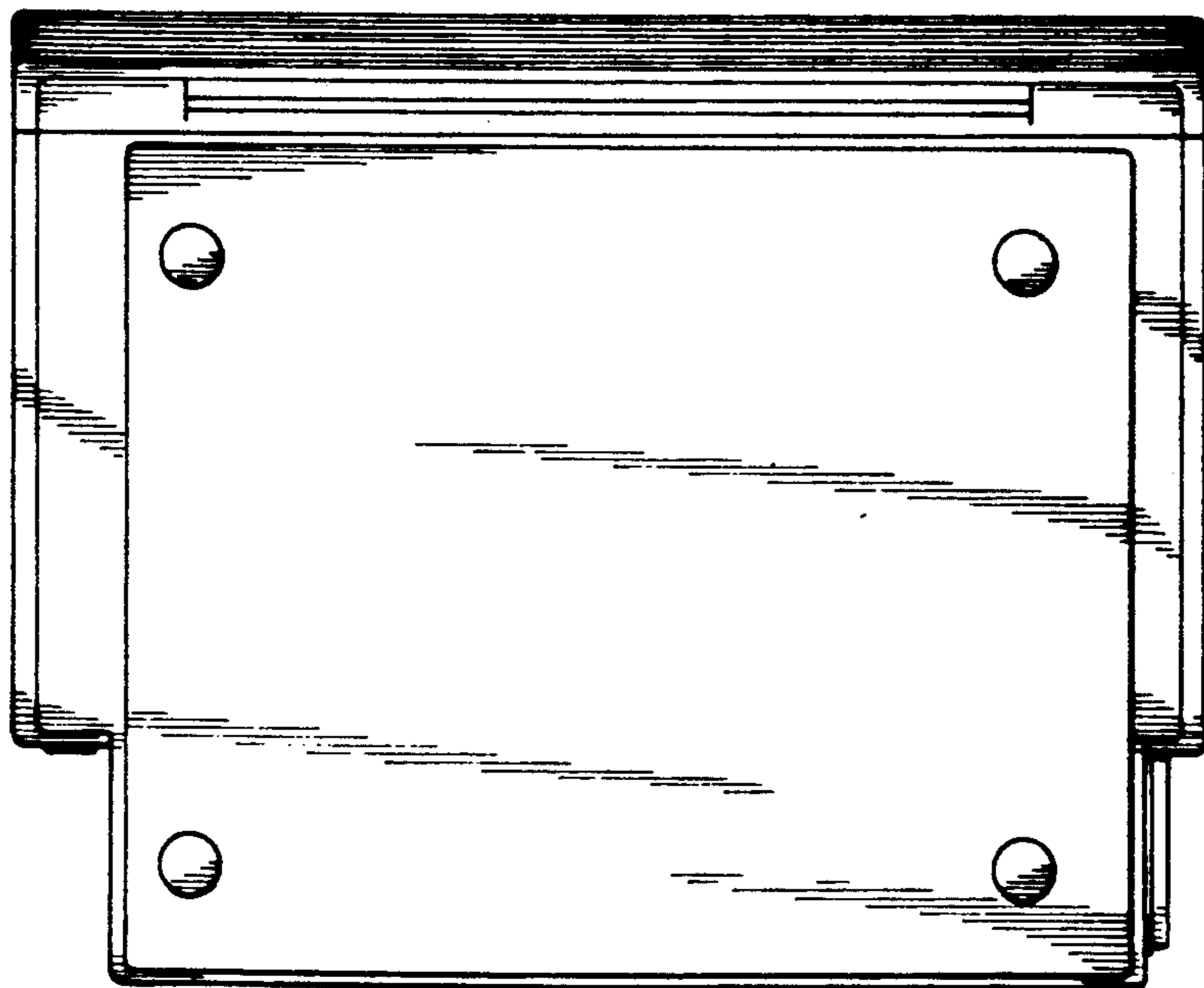




FIG. 6

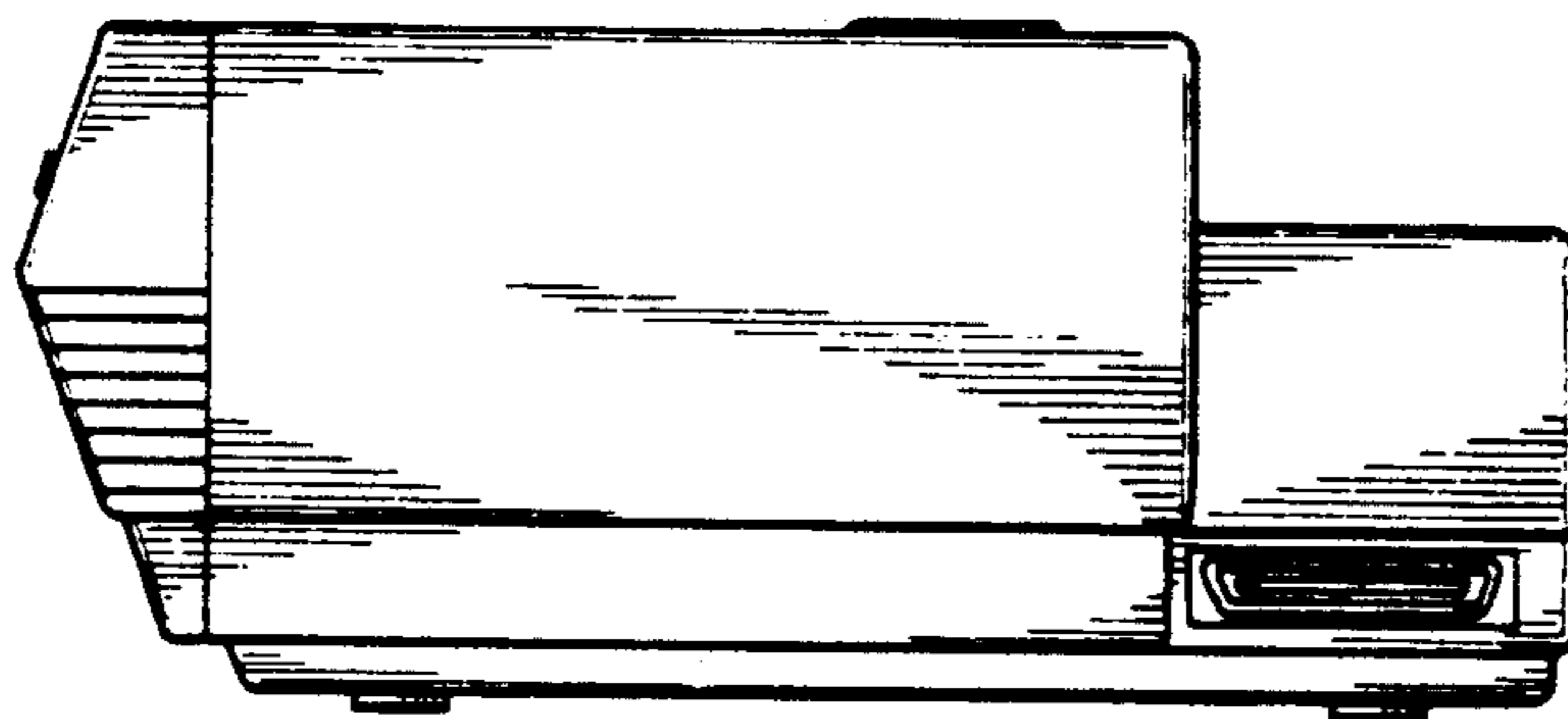


FIG. 7



FIG. 8

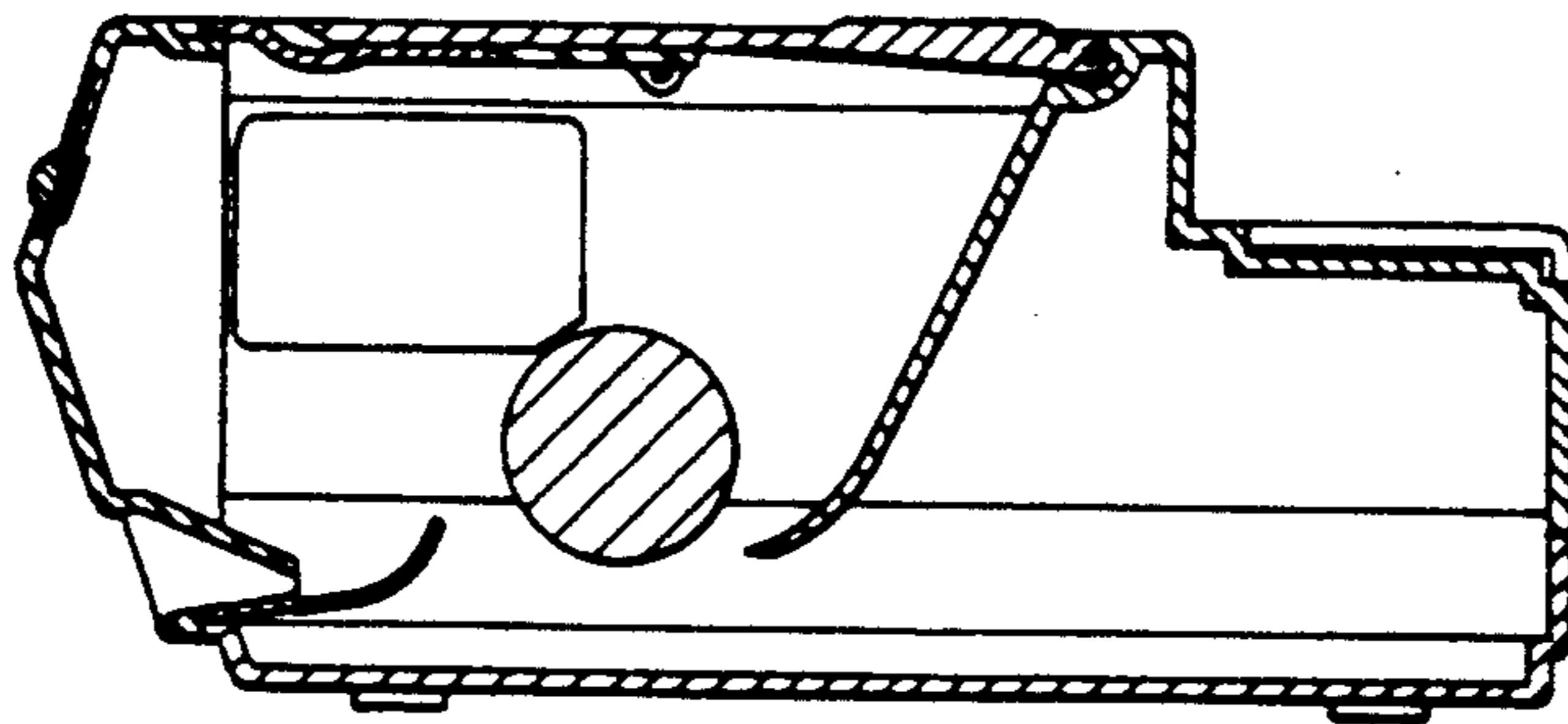


FIG. 10

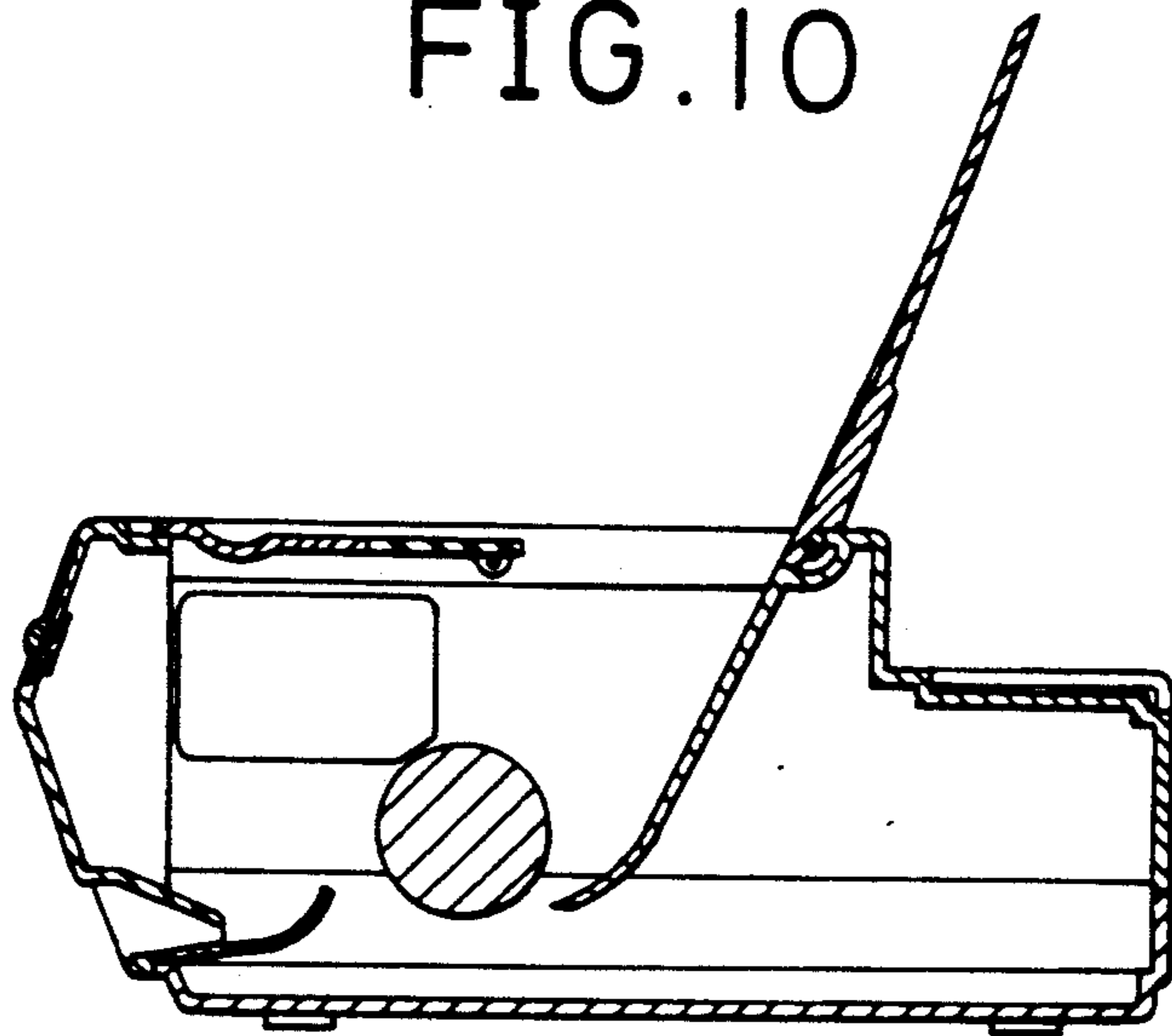


FIG. 9

