



US00D343413S

United States Patent [19]

[11] Patent Number: **Des. 343,413**

Arakaki et al.

[45] Date of Patent: **** Jan. 18, 1994**

[54] **SLIP PRINTER**

3,485,166	12/1969	Wright et al.	101/269
3,626,463	12/1971	Foerster	101/269
4,581,616	4/1986	Ross et al.	D18/50

[75] Inventors: **James S. Arakaki, Loomis; Allan Avnet, Fountain Valley; J. Mark Stanton, San Jose, all of Calif.**

FOREIGN PATENT DOCUMENTS

[73] Assignee: **Verifone, Inc., Redwood City, Calif.**

2919029 12/1980 Fed. Rep. of Germany 101/269

[**] Term: **14 Years**

OTHER PUBLICATIONS

[21] Appl. No.: **795,646**

Sanyo Electric Co. Brochure; Color Postscript Printout System.

[22] Filed: **Nov. 18, 1991**

Primary Examiner—A. Hugo Word

[52] U.S. Cl. **D18/55**

Assistant Examiner—CathyAnne MacCormac

[58] Field of Search 156/384; 101/93.4, 269, 101/91; 400/613, 613.4, 691-694, 690.1-690.4; D18/36-39, 19, 50, 52, 53, 54-55

Attorney, Agent, or Firm—Cooley Godward Castro Huddleson & Tatum

[57] CLAIM

[56] **References Cited**

The ornamental design for a slip printer, as shown.

U.S. PATENT DOCUMENTS

DESCRIPTION

D. 253,134	10/1979	DiBenedetto	D18/55
D. 289,050	3/1987	Wilson et al.	D18/55
D. 294,367	2/1988	Nishibori et al.	D18/55
D. 303,986	10/1989	Kato et al.	D18/55
D. 323,526	1/1992	Kobayashi	D18/54
3,363,549	1/1968	Reus et al.	101/91

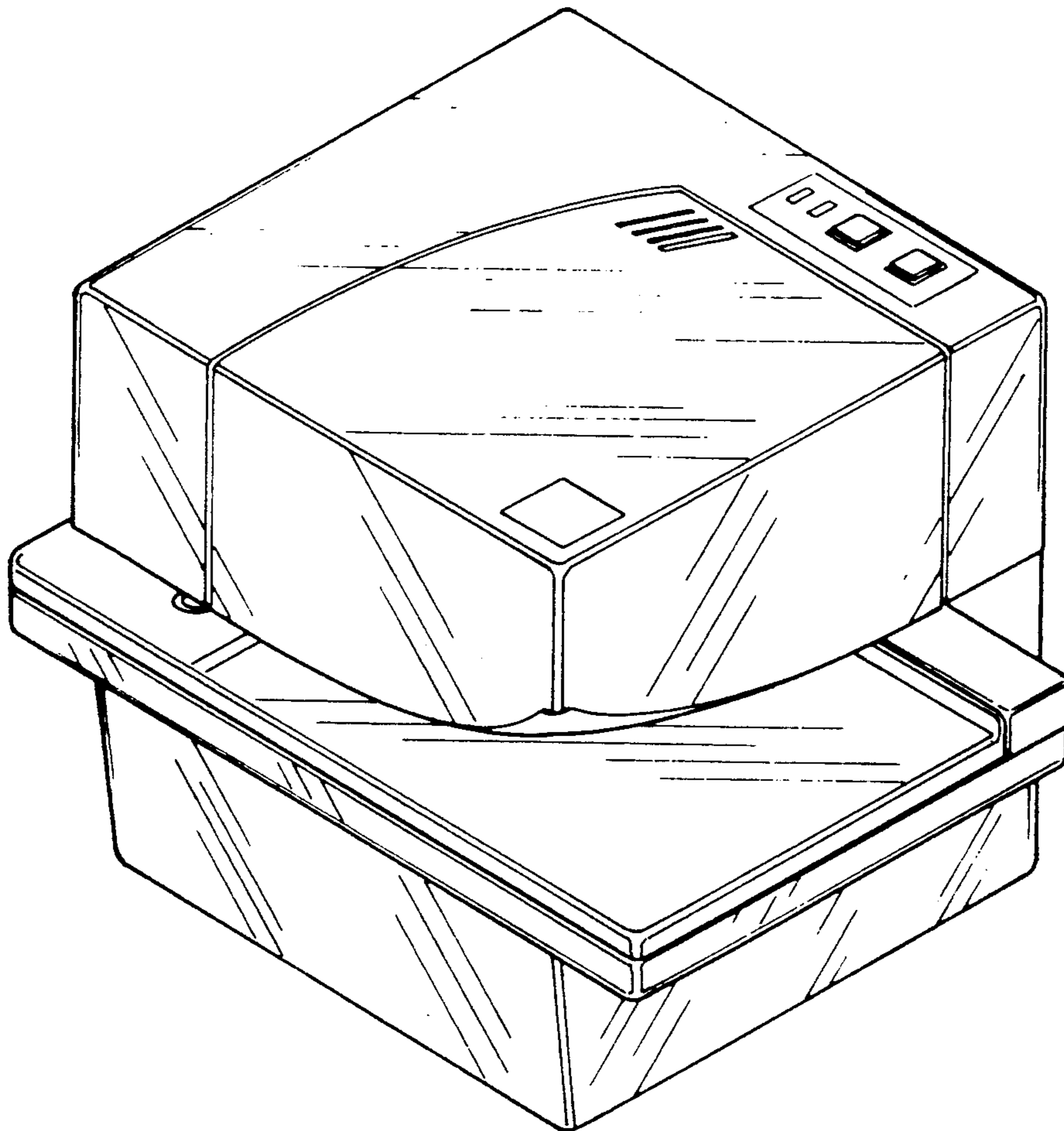
FIG. 1 is a perspective view of a slip printer, showing our new design;

FIG. 2 is a top plan view thereof;

FIG. 3 is a rear plan view thereof;

FIG. 4 is a front plan view thereof; and,

FIG. 5 is a left side or end view thereof.



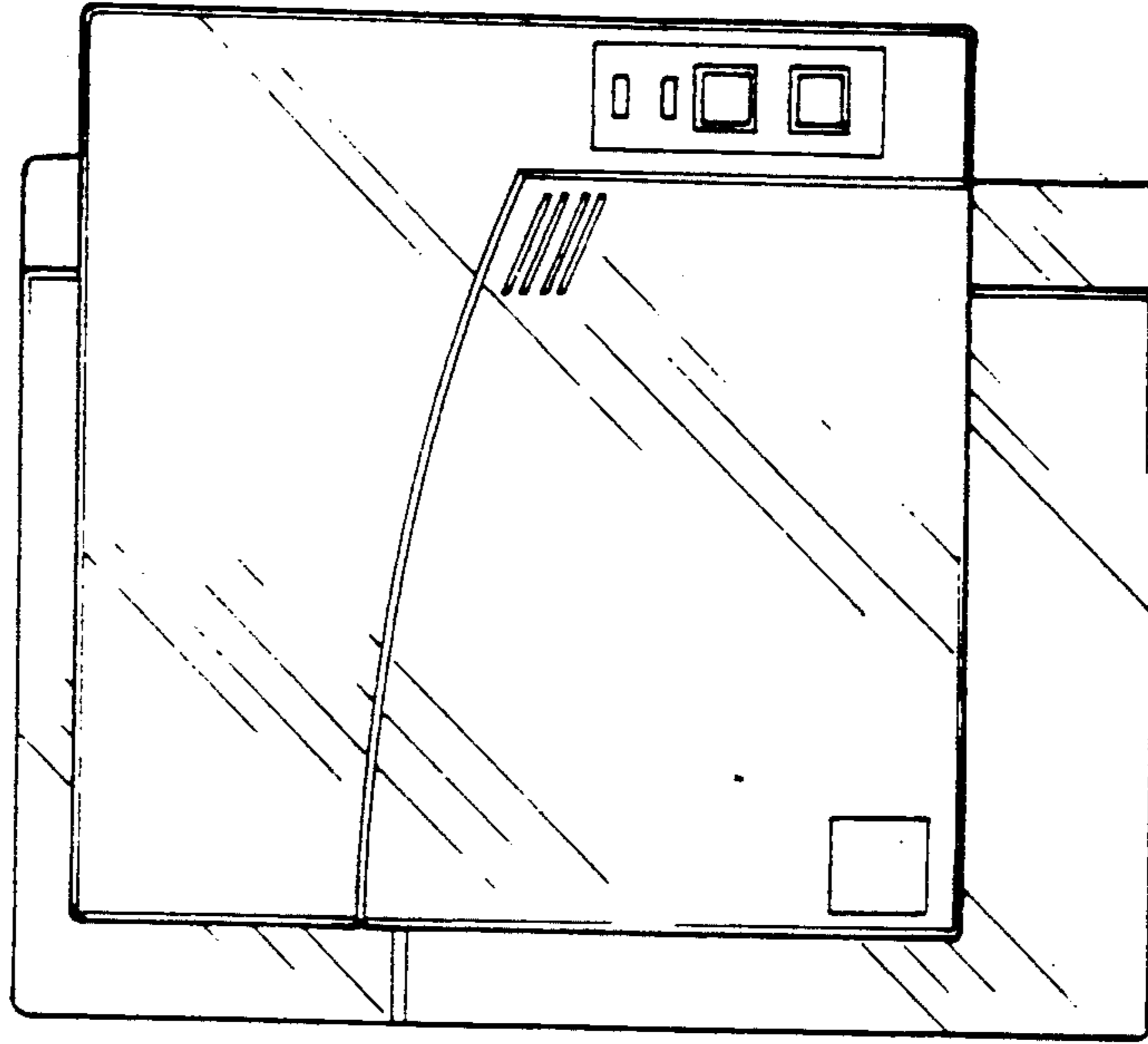


FIG. 2

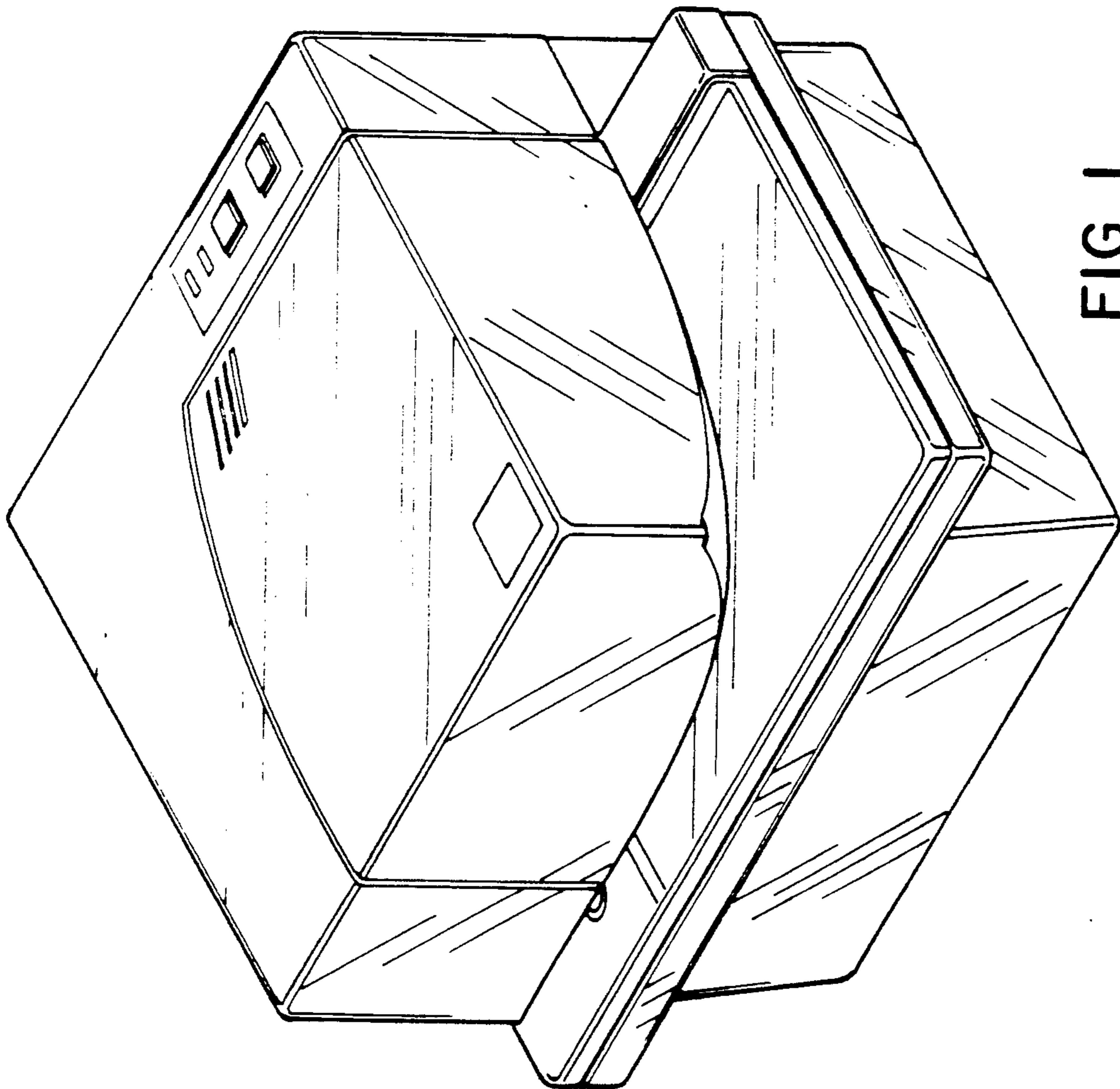


FIG. 1

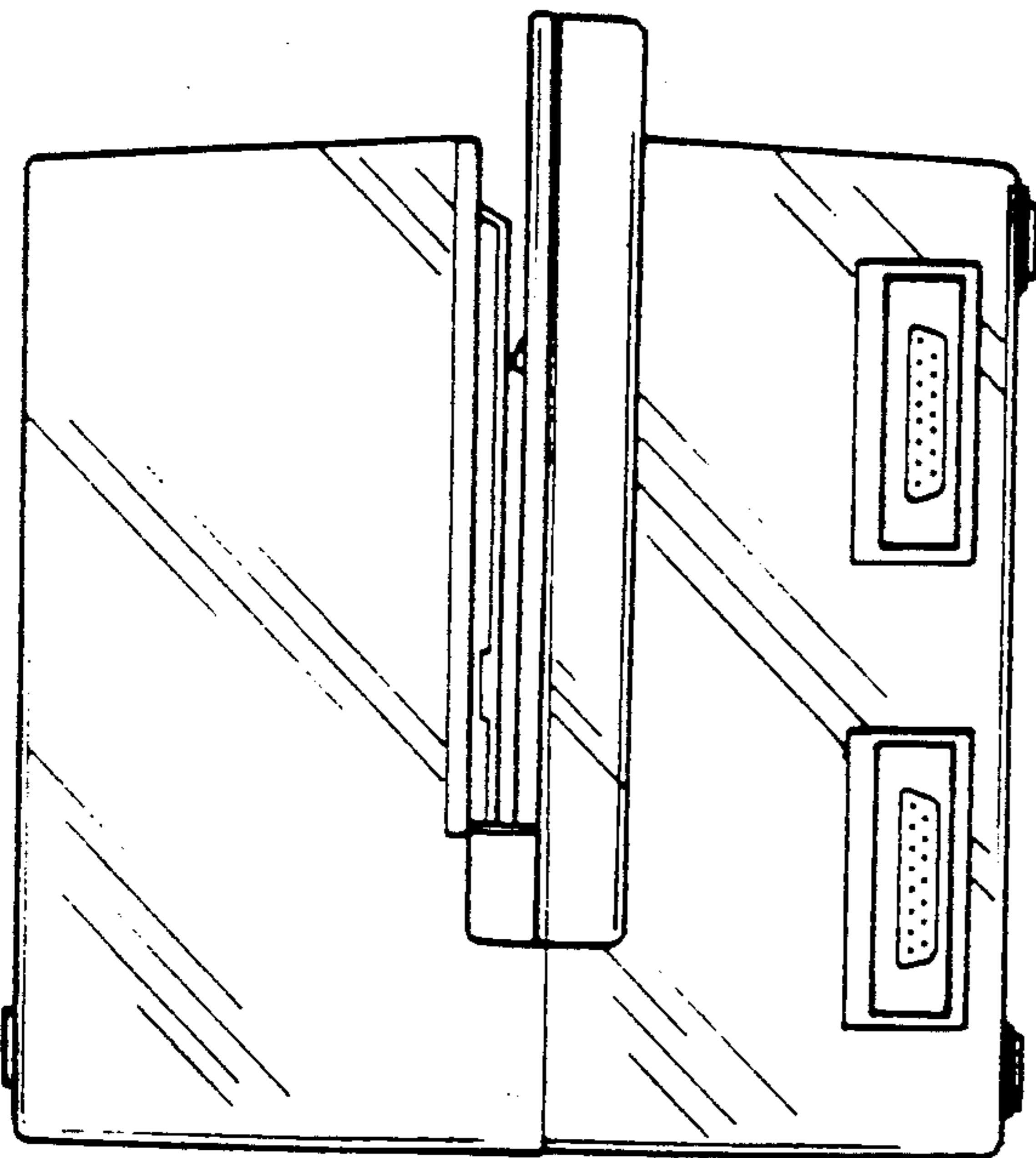


FIG. 3

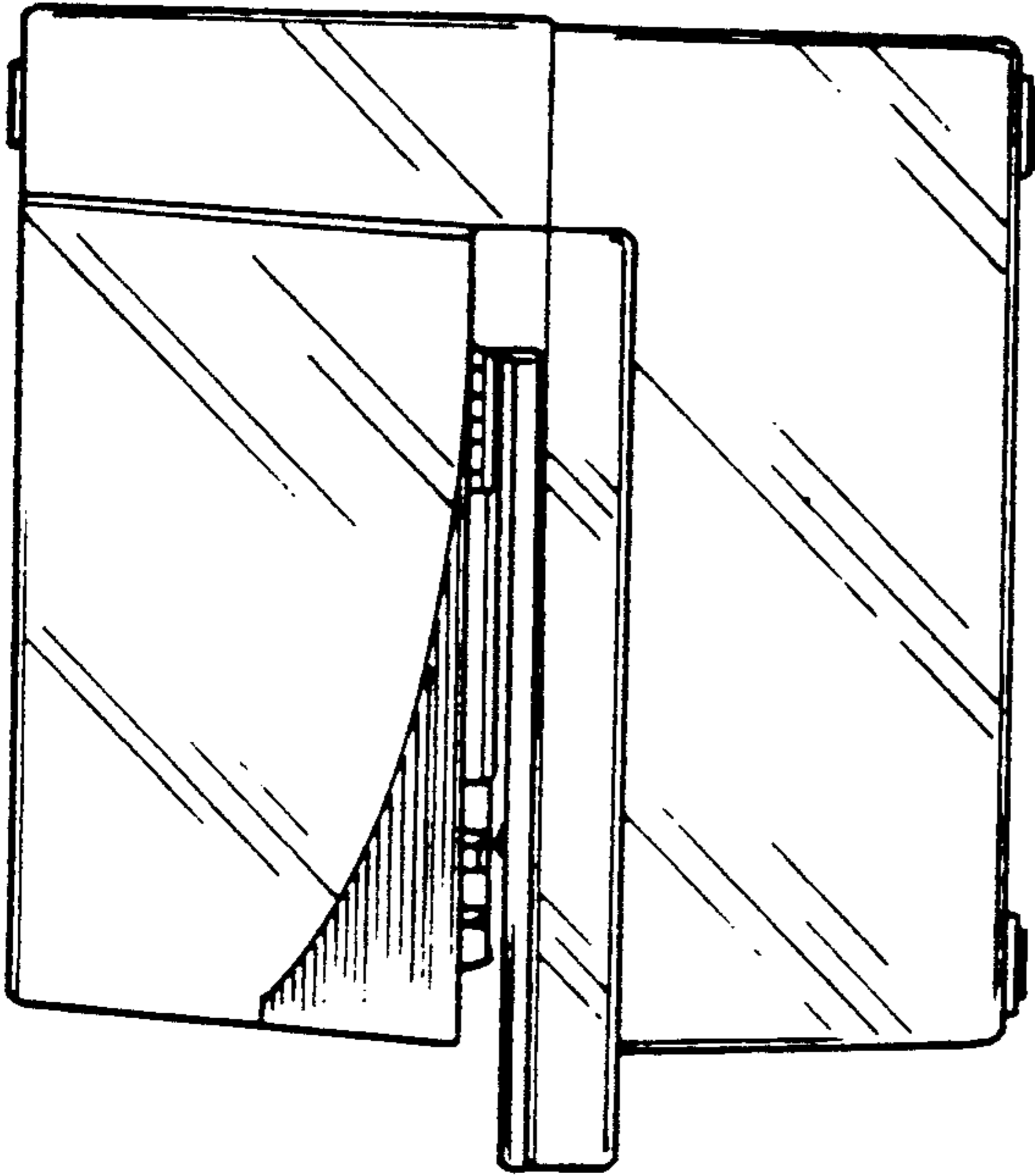


FIG. 4

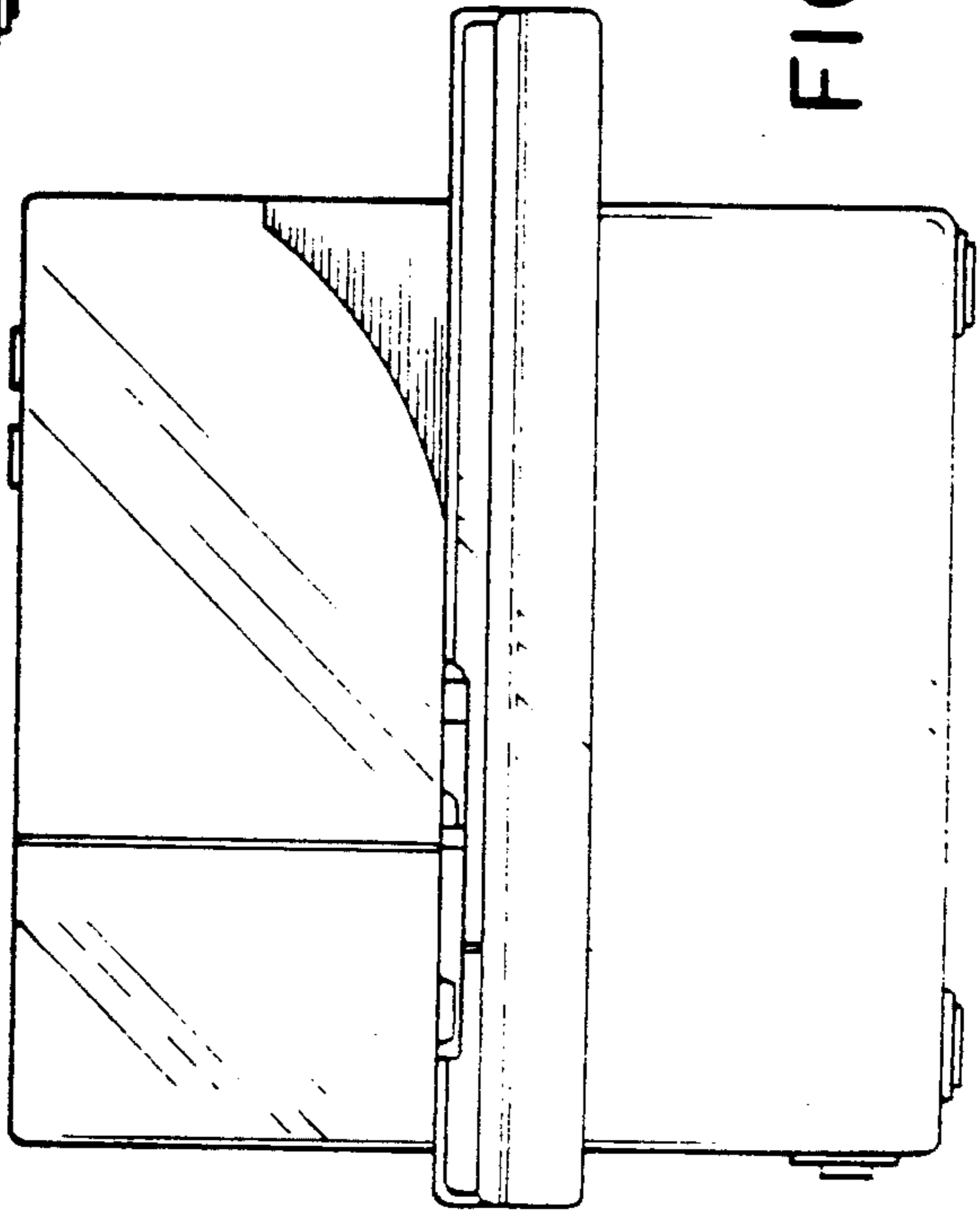


FIG. 5