



US00D343411S

United States Patent [19]

[11] Patent Number: Des. 343,411

Chen

[45] Date of Patent: ** Jan. 18, 1994

[54] PRINTER

[75] Inventor: Slew H. Chen, Singapore, Singapore

[73] Assignee: Comtech It Pte Ltd., Singapore, Singapore

[**] Term: 14 Years

[21] Appl. No.: 934,347

[22] Filed: Aug. 25, 1992

[30] Foreign Application Priority Data

Feb. 25, 1992 [GB] United Kingdom 2021186
 [52] U.S. Cl. D18/50
 [58] Field of Search 400/691-693,
 400/613, 613.1-613.4, 690.1-690.4; D18/50,
 54-55; D14/118

[56] References Cited

U.S. PATENT DOCUMENTS

D. 302,682 8/1989 Bloom et al. D18/54
 D. 322,278 12/1991 Kawashima et al. D18/54
 D. 322,981 1/1992 Tokuda D18/54
 D. 323,344 1/1992 Umino et al. D18/54
 D. 333,302 2/1993 Ebihara et al. D14/118
 5,182,697 1/1993 I-Shou 400/691

FOREIGN PATENT DOCUMENTS

693275 8/1986 Japan D18/400 50

OTHER PUBLICATIONS

Spirit Series 350 CPS Serial Printer; ©1985; cover photograph.
 Information Week; Jan. 28, 1985; p. 57; Okidata Micro-line 182 Personal Printer advertisement.
 Canon Bubble Jet Printer BJ-10ex Editors' choice; p. 16.

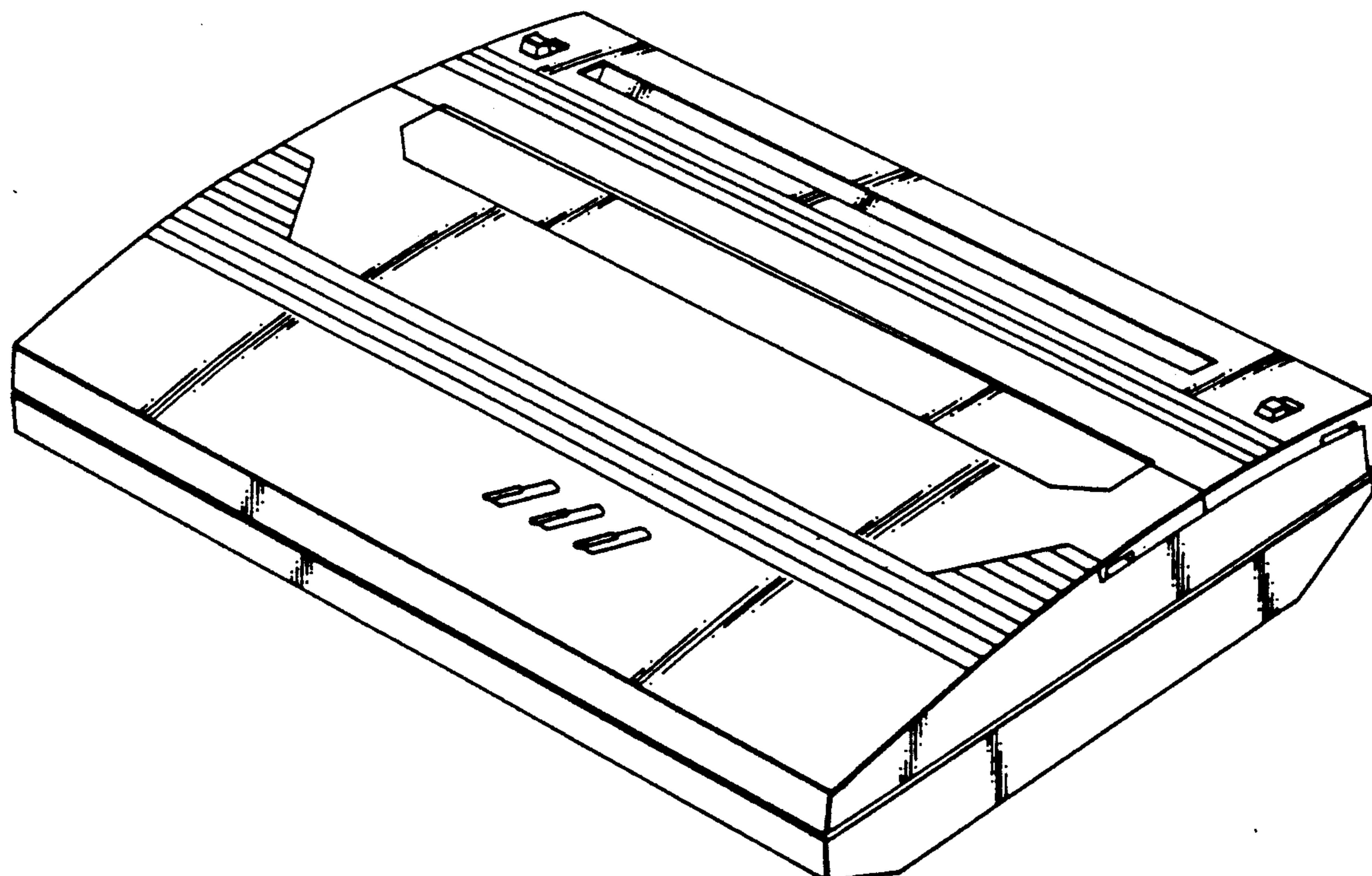
Primary Examiner—A. Hugo Word
 Assistant Examiner—Cathy Anne MacCormac
 Attorney, Agent, or Firm—Sandler Greenblum & Bernstein

[57] CLAIM

The ornamental design for a printer, as shown and described.

DESCRIPTION

FIG. 1 is a top, front and right side perspective view of a printer showing my new design;
 FIG. 2 is a top plan view thereof;
 FIG. 3 is a front elevational view thereof;
 FIG. 4 is a bottom plan view thereof;
 FIG. 5 is a rear elevational view thereof;
 FIG. 6 is a left side elevational view thereof; and,
 FIG. 7 is a right side elevational view thereof.



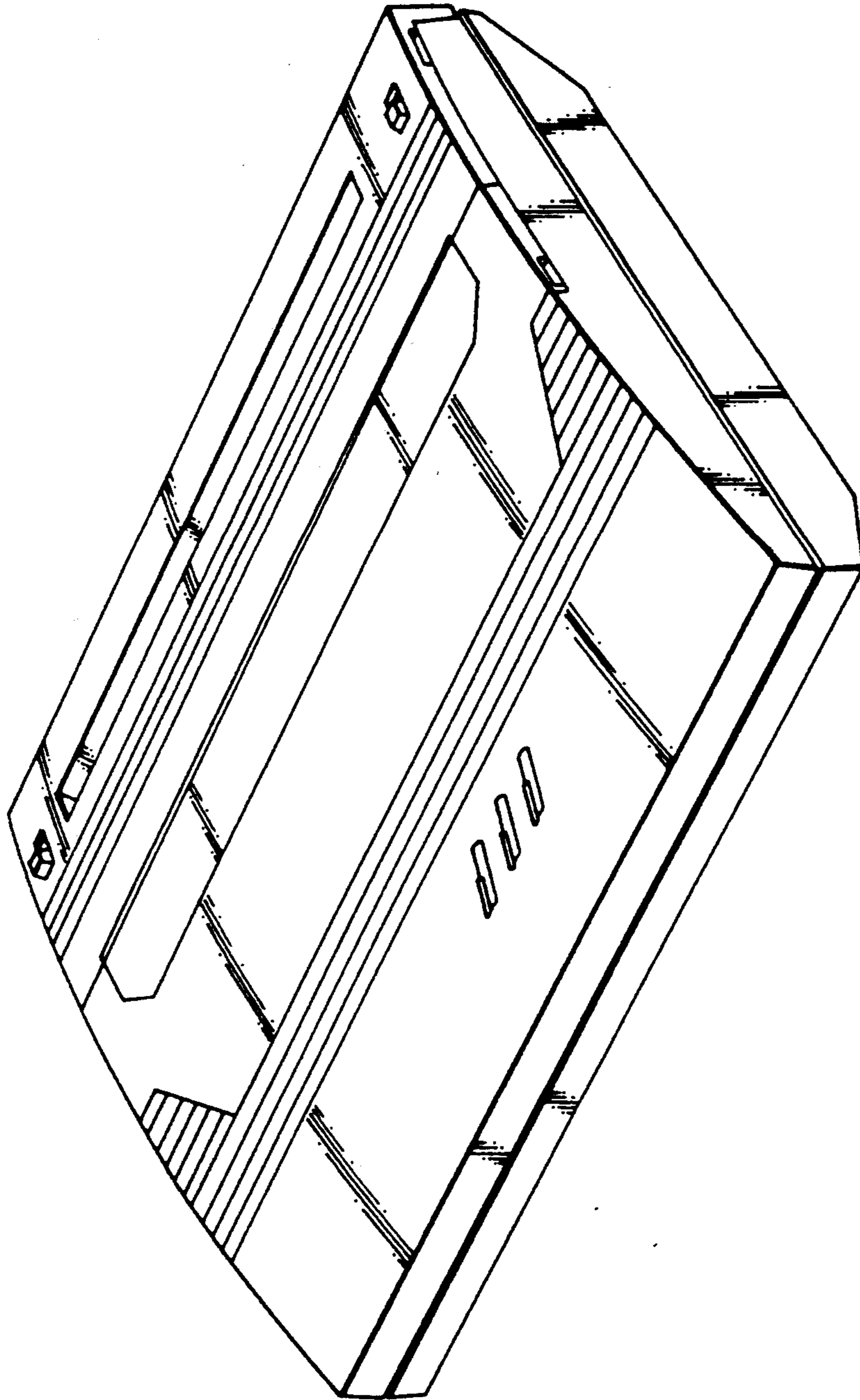


FIG- 1

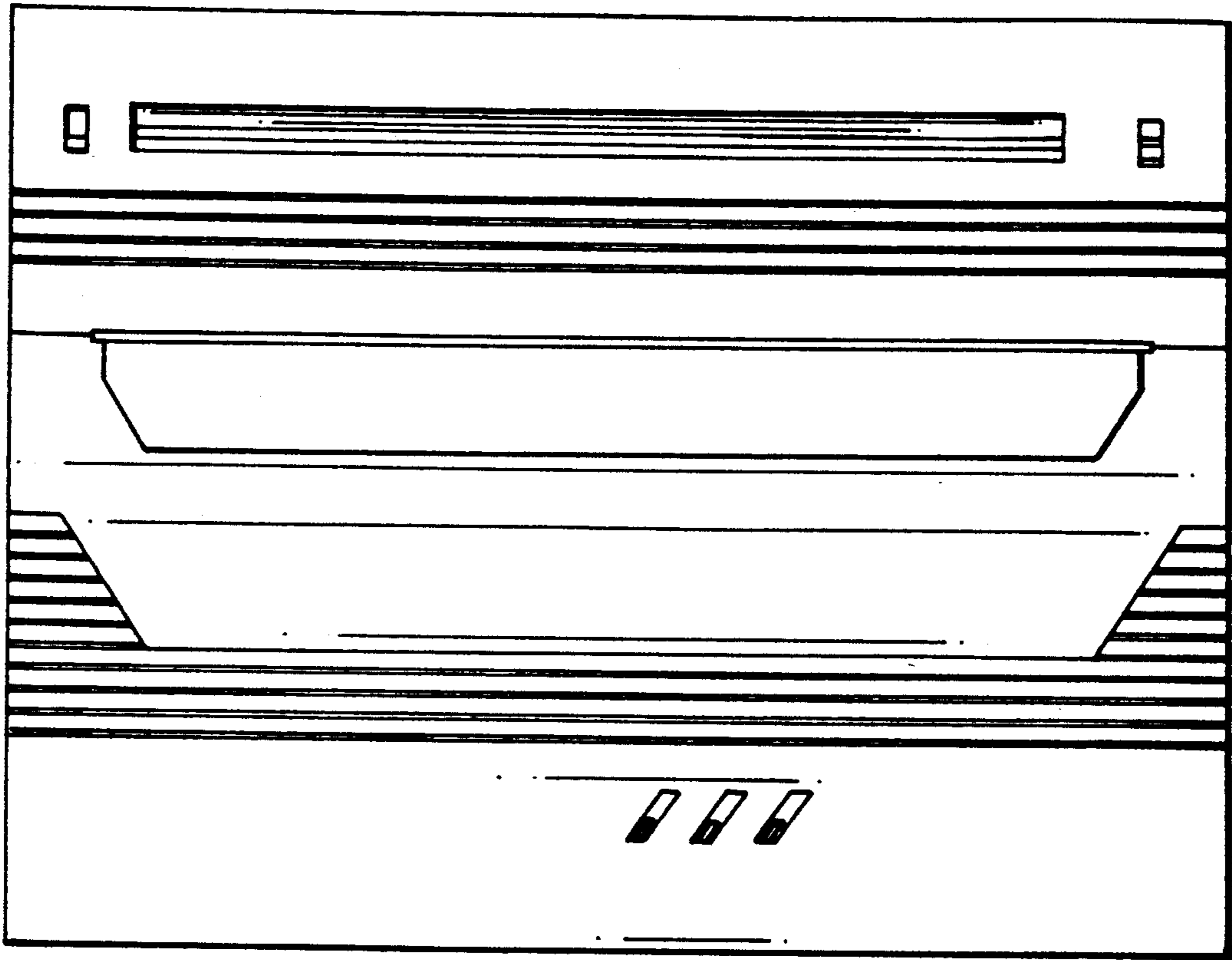


FIG - 2

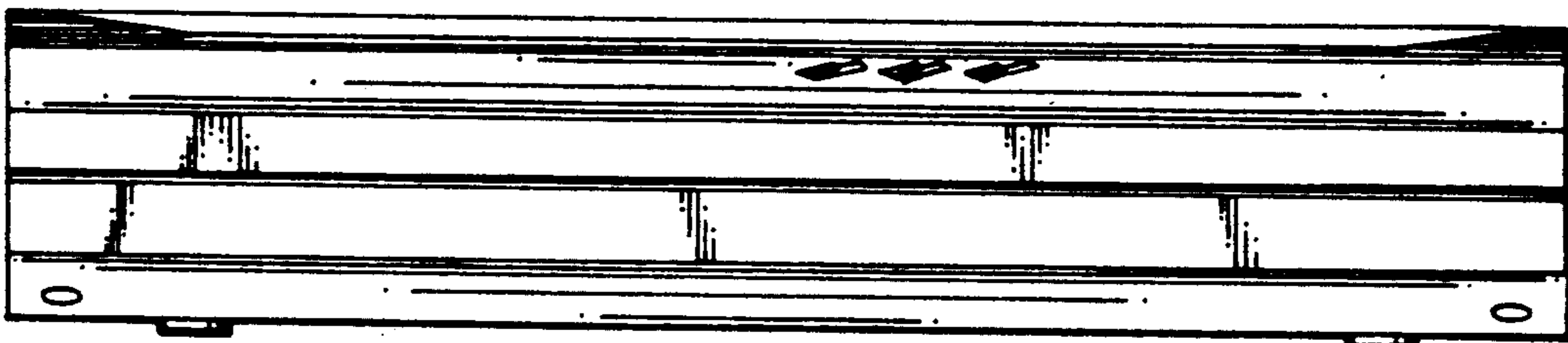


FIG - 3

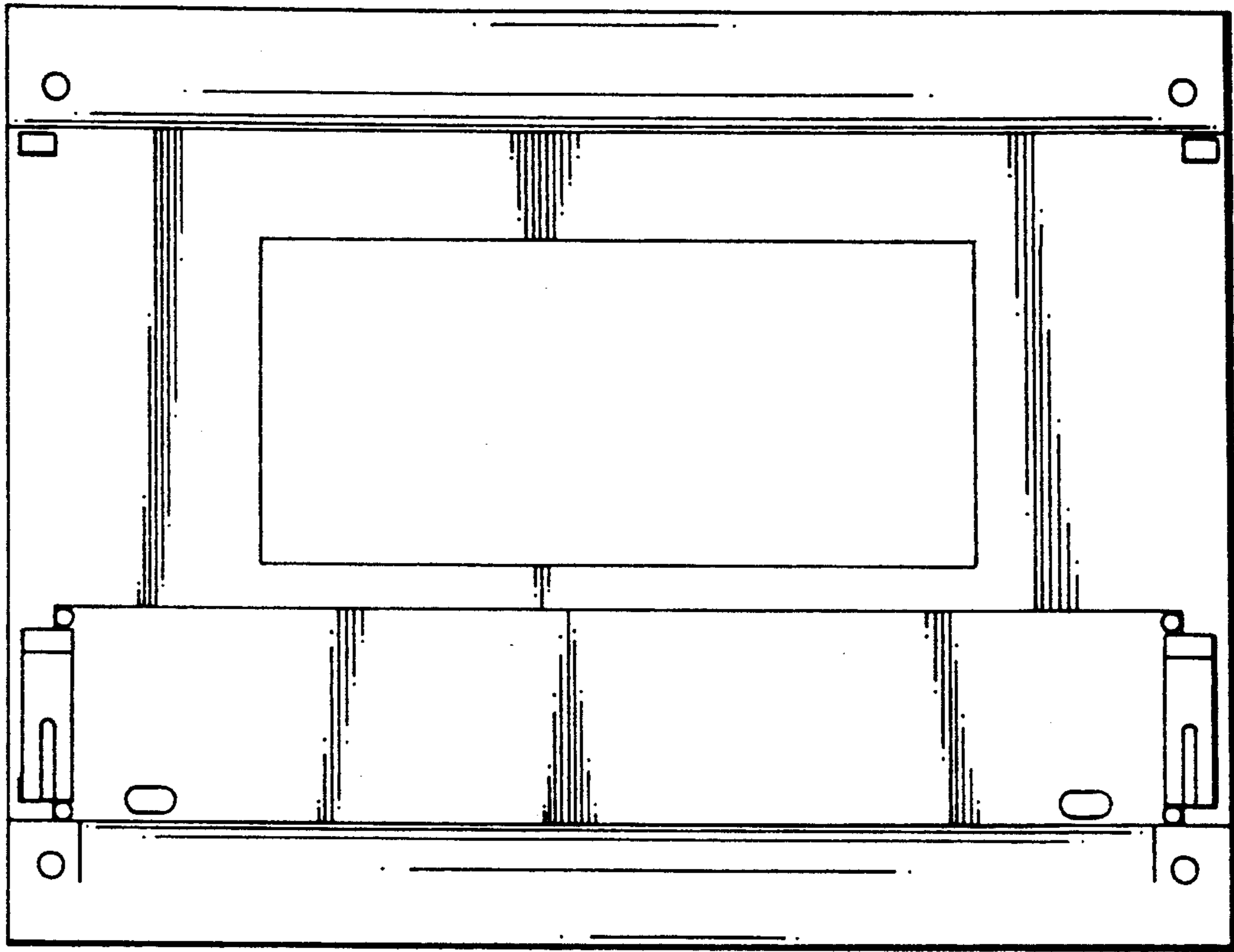


FIG - 4

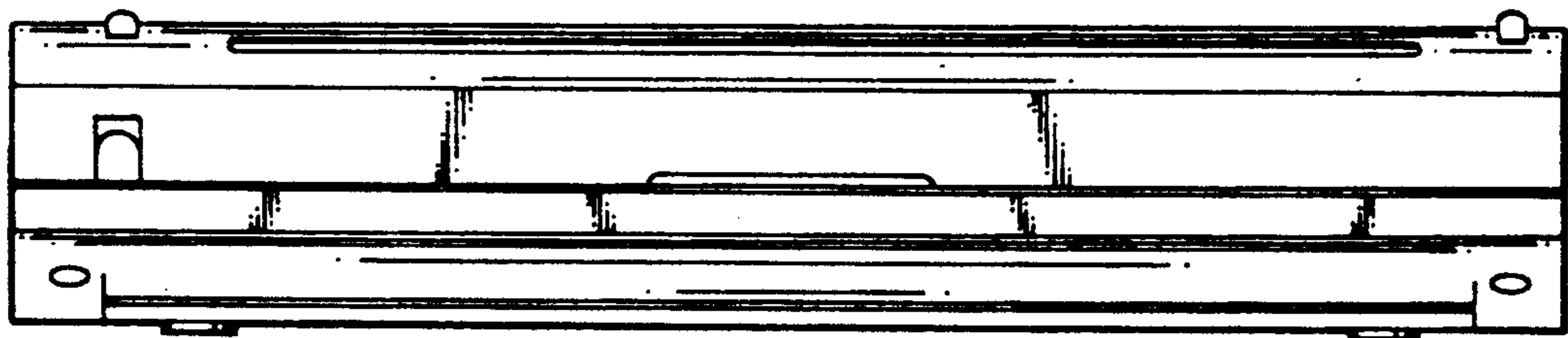


FIG - 5

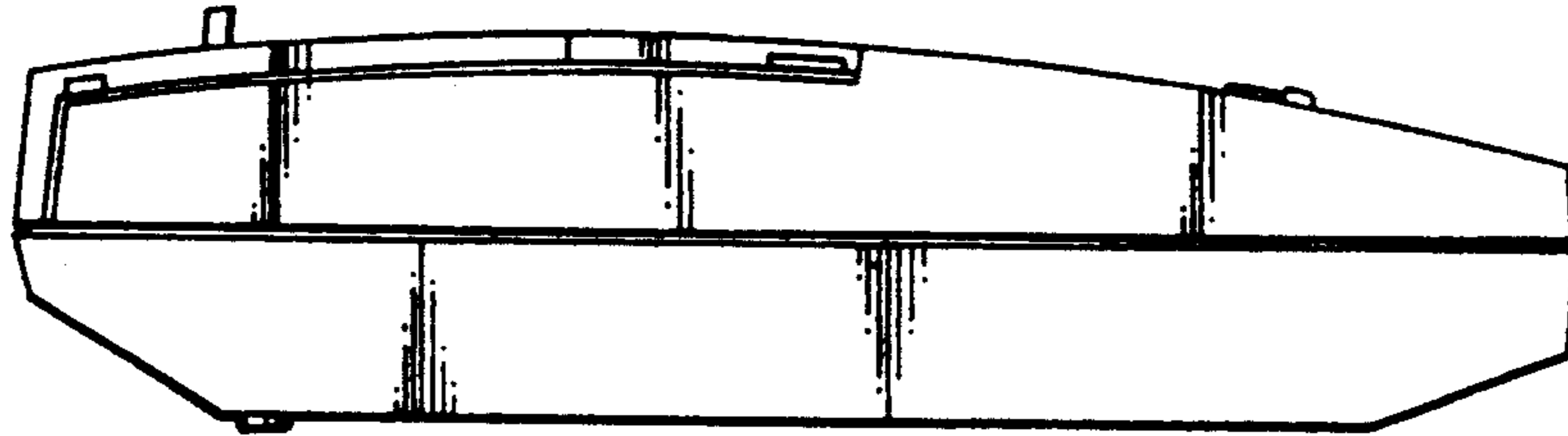


FIG - 6

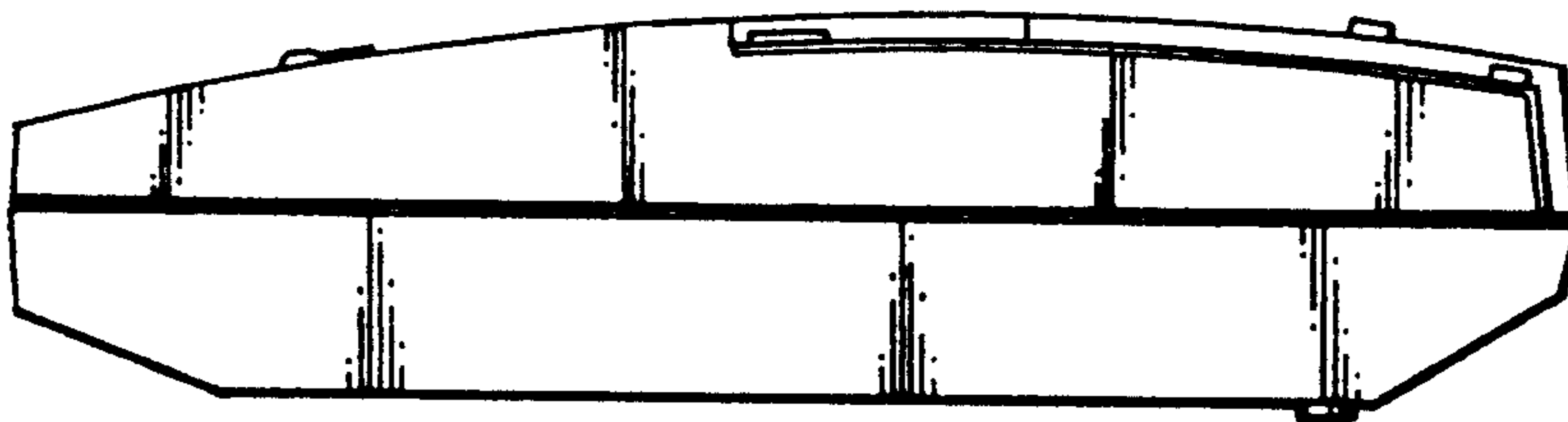


FIG - 7