



US00D343408S

# United States Patent [19]

Hermann

[11] Patent Number: Des. 343,408

[45] Date of Patent: \*\* Jan. 18, 1994

[54] VALIDATION PRINTER

[75] Inventor: Thomas L. Hermann, Springfield, Ohio

[73] Assignee: NCR Corporation, Dayton, Ohio

[\*\*] Term: 14 Years

[21] Appl. No.: 763,751

[22] Filed: Sep. 23, 1991

[52] U.S. Cl. .... D18/50; D18/55

[58] Field of Search ..... 156/384; 101/93.4, 269, 101/91; 400/613, 613.4, 691-694, 690.1-690.4; D18/36-39, 19, 50, 52, 53, 54-55

[56] References Cited

U.S. PATENT DOCUMENTS

D. 253,134	10/1979	DiBenedetto	.....	D18/55
D. 289,050	3/1987	Wilson et al.	.....	D18/55
D. 294,367	2/1988	Nishibori et al.	.....	D18/55
D. 303,979	10/1989	Kato et al.	.....	D18/55
D. 303,986	10/1989	Kato et al.	.....	D18/55
D. 303,987	10/1989	Kato et al.	.....	D18/55
D. 318,066	7/1991	Moro	.....	D18/54
D. 320,226	9/1991	Hermann et al.	.....	D18/50
D. 323,526	1/1992	Kobayashi	.....	D18/54
3,363,549	1/1968	Reus et al.	.....	101/91
3,485,166	12/1969	Wright et al.	.....	101/269

3,626,463	12/1971	Foerster	.....	101/269
4,581,616	4/1986	Ross et al.	.....	D18/50
5,182,991	2/1993	Patuszynski et al.	.....	101/91

FOREIGN PATENT DOCUMENTS

2919029	12/1980	Fed. Rep. of Germany	.....	101/269
---------	---------	----------------------	-------	---------

OTHER PUBLICATIONS

Sanyo Electric Co. "Color Postscript Printout System" brochure.

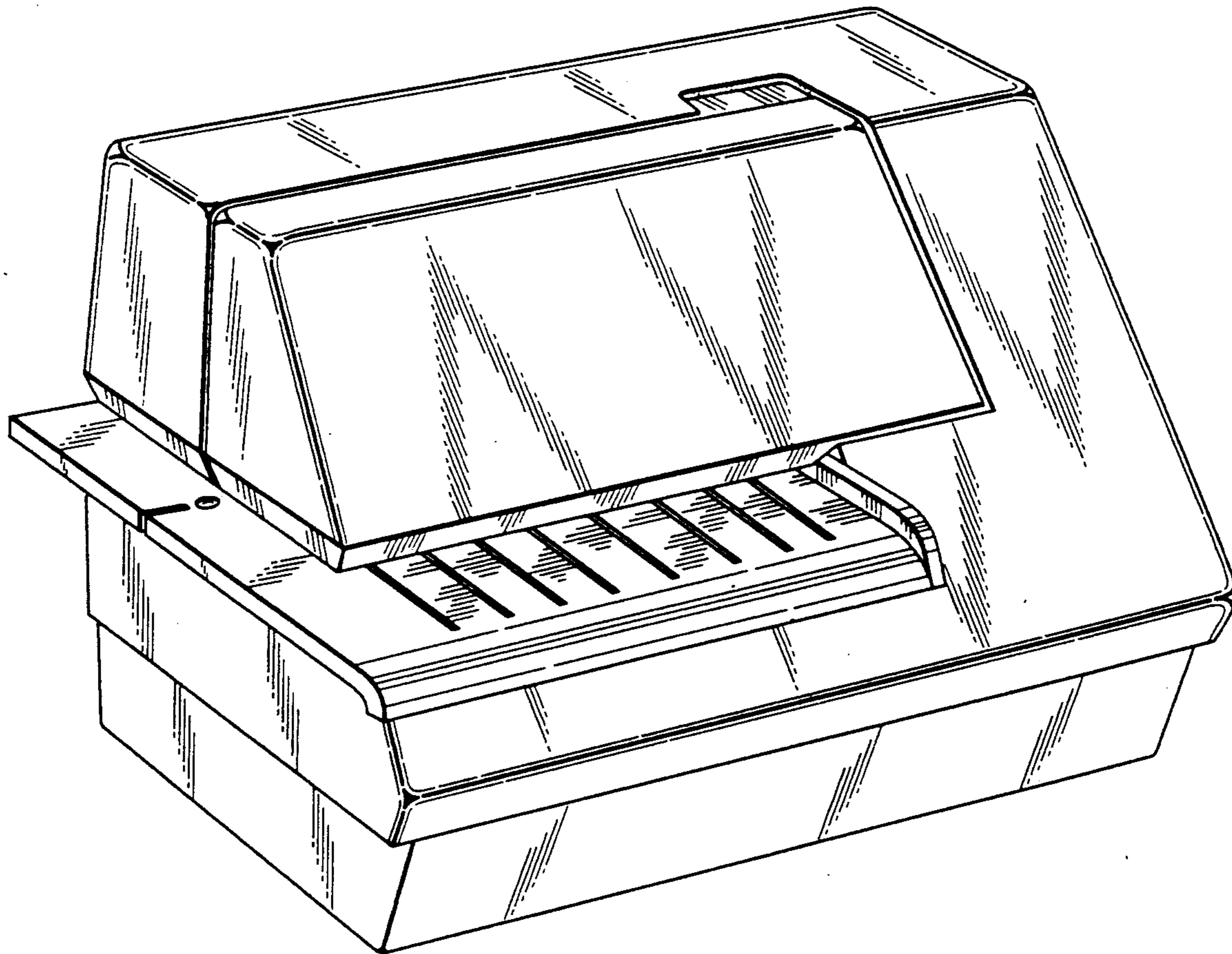
Primary Examiner—A. Hugo Word  
Assistant Examiner—Cathy Anne MacCormac  
Attorney, Agent, or Firm—Elmer Wargo

[57] CLAIM

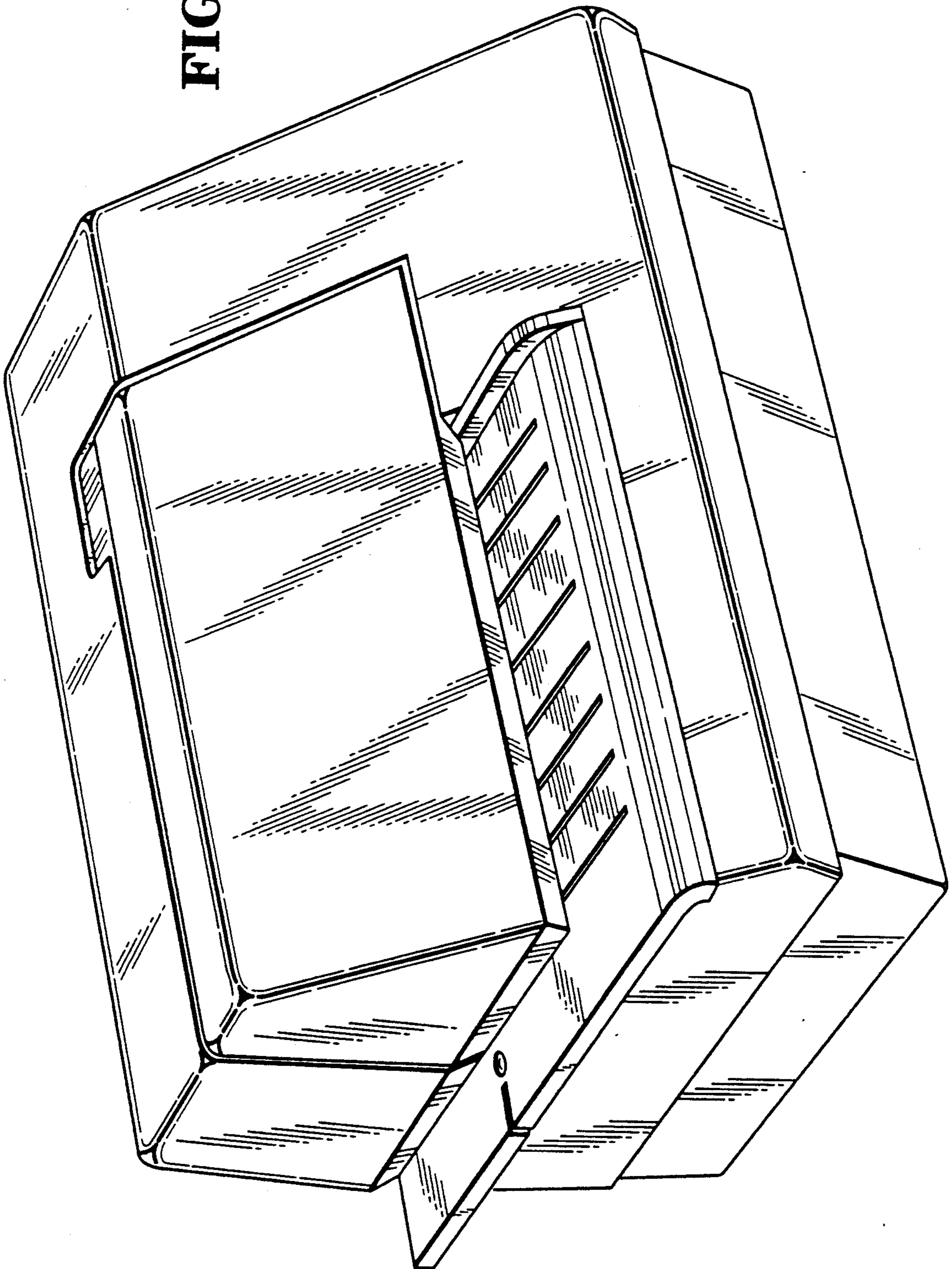
The ornamental design for a validation printer, as shown and described.

DESCRIPTION

FIG. 1 is a general left front perspective view of a validation printer, showing my new design;  
FIG. 2 is a front elevational view thereof;  
FIG. 3 is a rear elevational view thereof;  
FIG. 4 is a side view, in elevation, taken from the right side of FIG. 1;  
FIG. 5 is a side view, in elevation, taken from the left side of FIG. 1; and,  
FIG. 6 is a top plan of FIG. 1.



**FIG. 1**



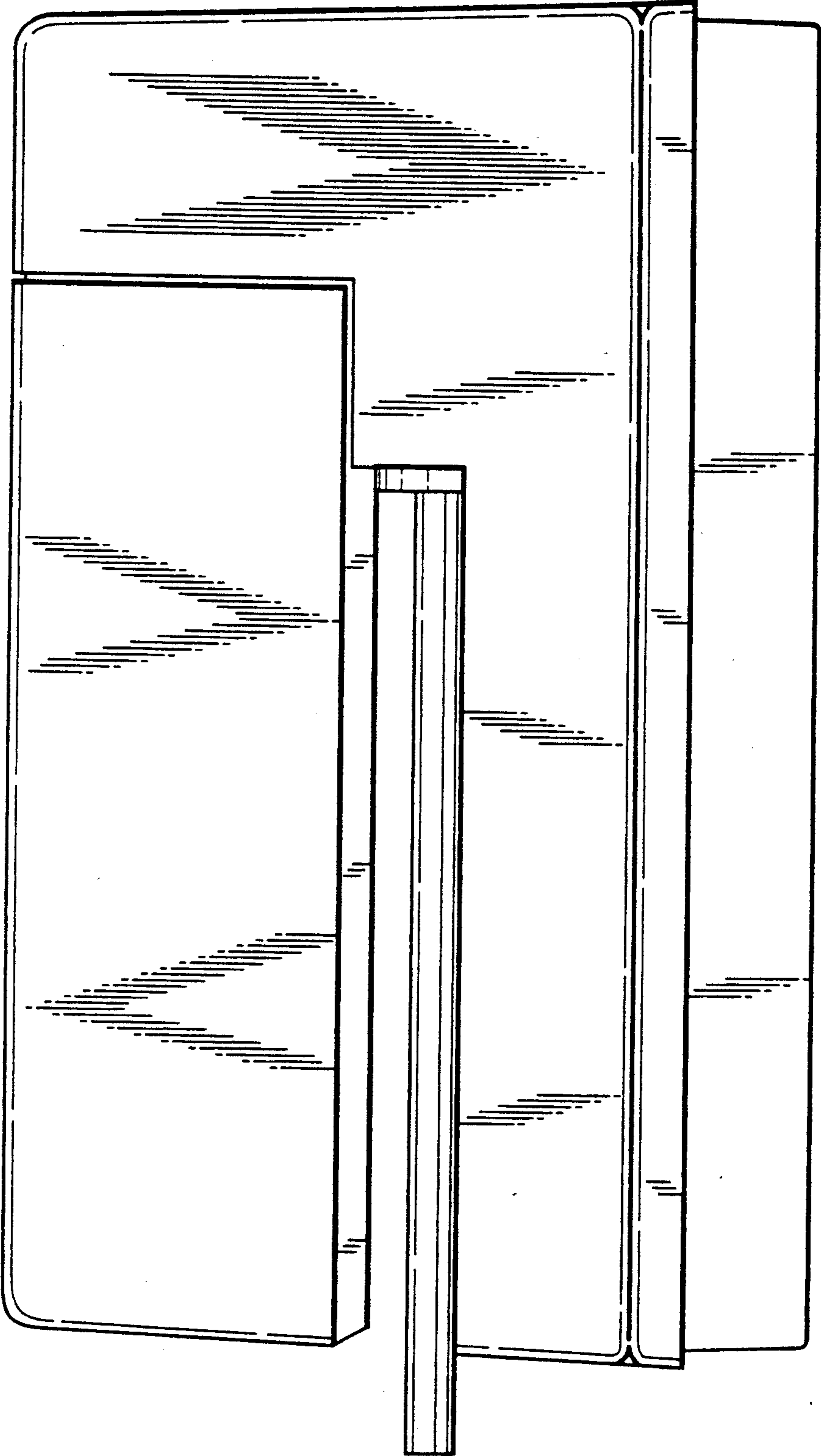


FIG. 2

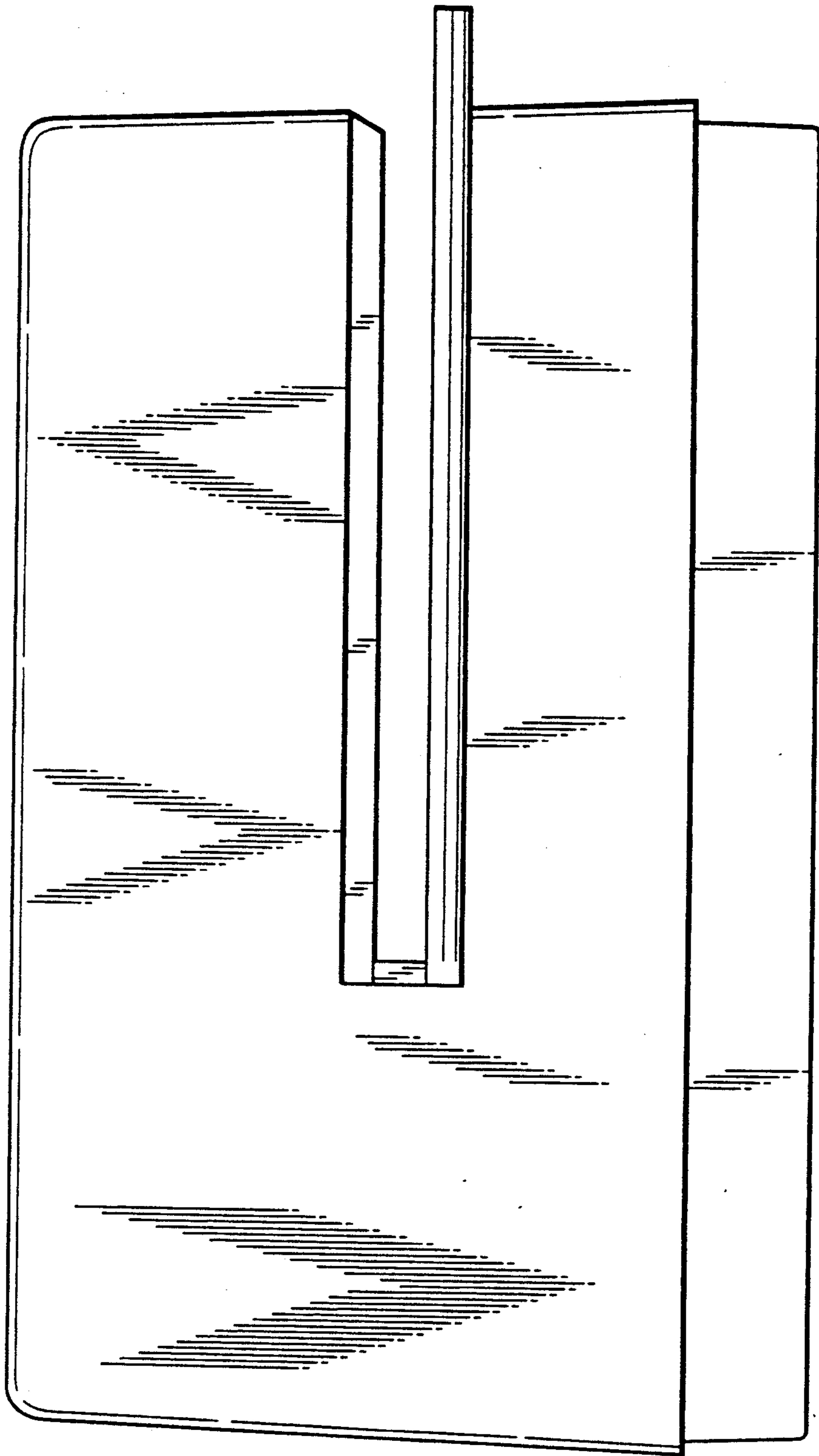


FIG. 3

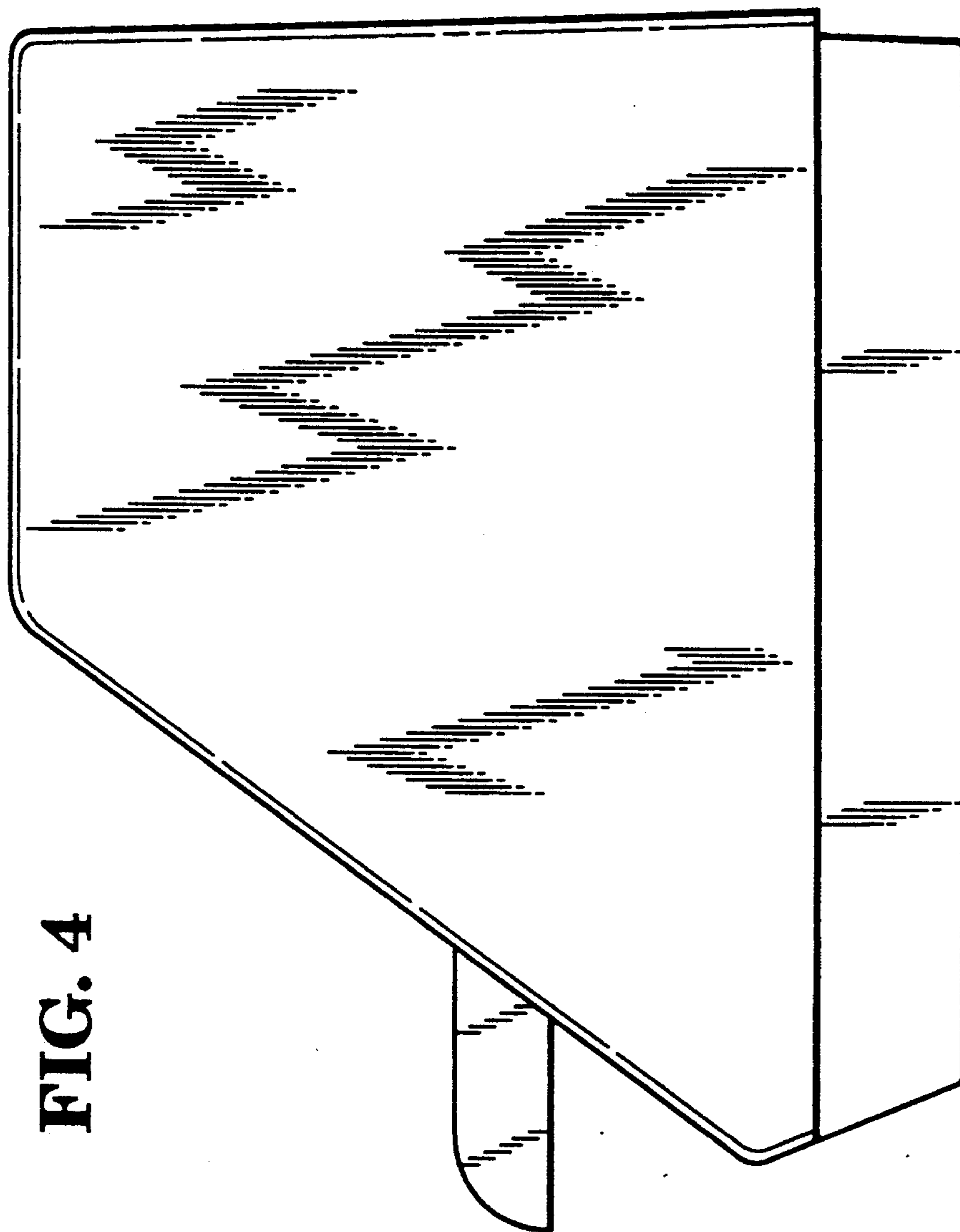
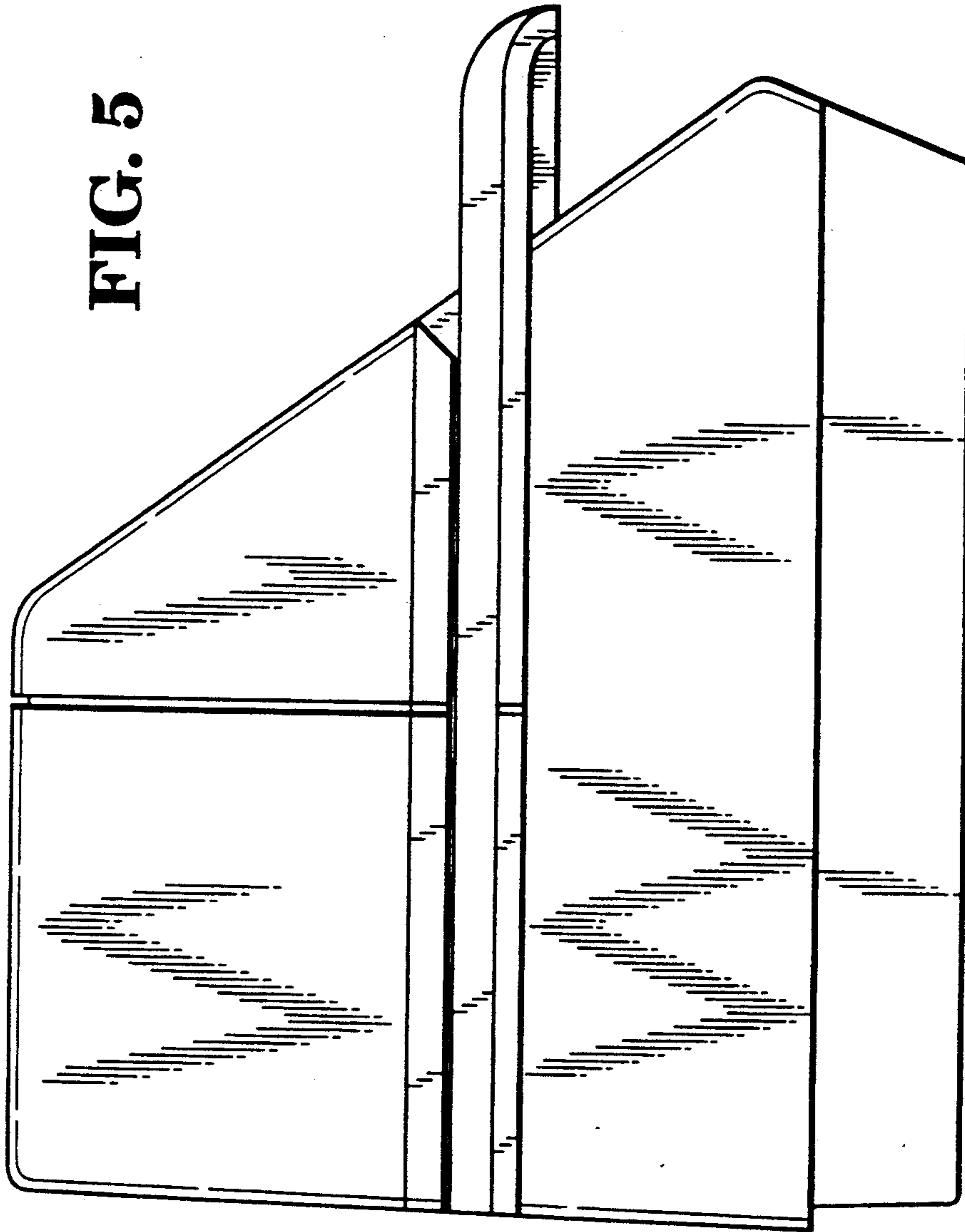


FIG. 4

FIG. 5



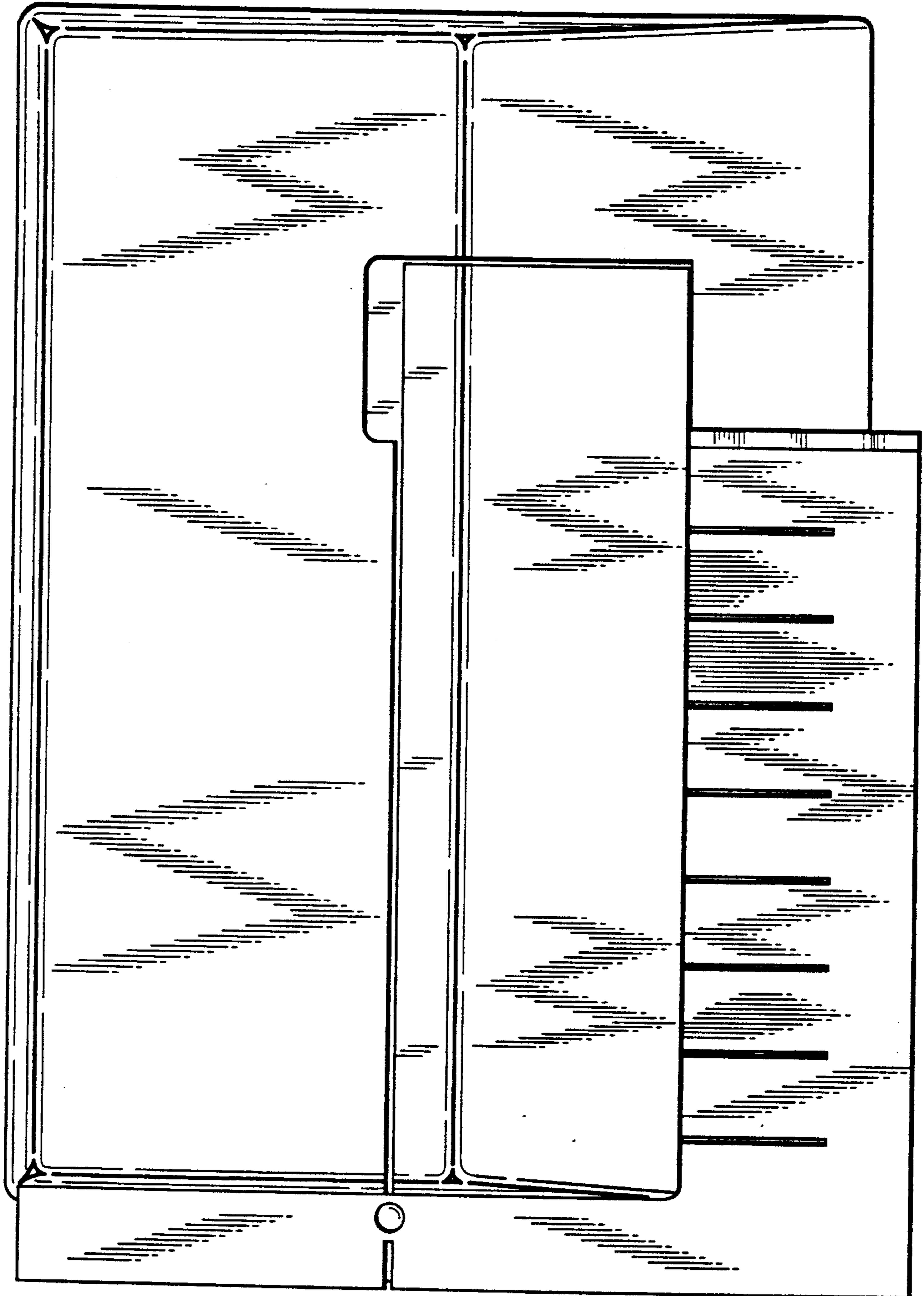


FIG. 6