



US00D343400S

United States Patent [19]

[11] Patent Number: **Des. 343,400**

Lindstedt et al.

[45] Date of Patent: **** Jan. 18, 1994**

[54] **CUTTING INSERT**

[75] Inventors: **Lars Lindstedt; Par Tagtstrom**, both of Sandviken, Sweden

[73] Assignee: **Sandvik AB**, Sweden

[**] Term: **14 Years**

[21] Appl. No.: **858,773**

[22] Filed: **Mar. 27, 1992**

[52] U.S. Cl. **D15/139**

[58] Field of Search **407/113-117; D15/138, 139**

[56] **References Cited**

U.S. PATENT DOCUMENTS

D. 329,439	9/1992	Gustafsson et al.	D15/139
D. 329,858	9/1992	Gustafsson et al.	D15/139
D. 330,033	10/1992	Gustafsson et al.	D15/139
D. 330,901	11/1992	Gustafsson et al.	D15/139
4,778,311	10/1988	Niemi	407/116
5,076,739	12/1991	Pano	407/116

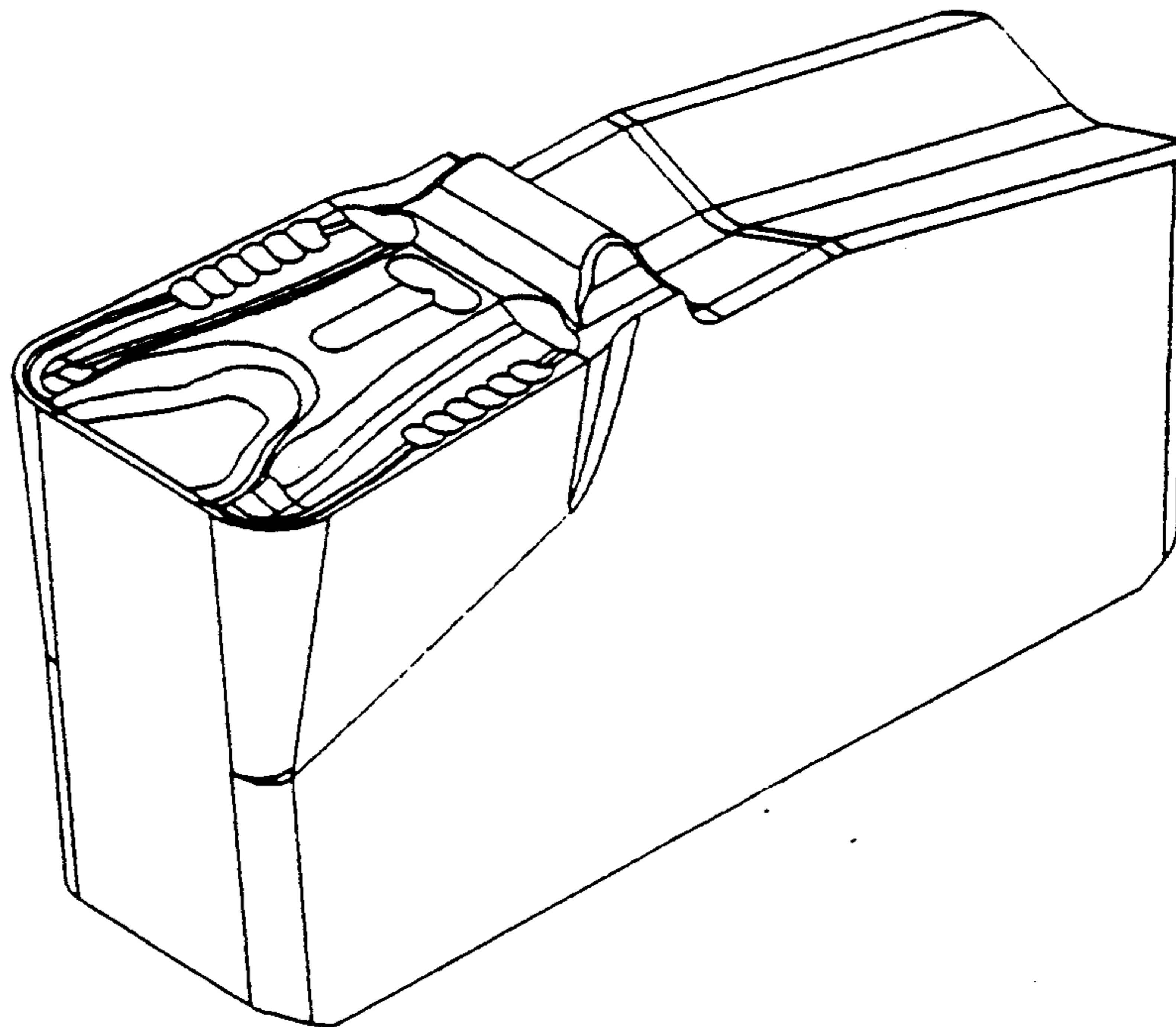
Primary Examiner—Alan P. Douglas
Assistant Examiner—Antoine D. Davis
Attorney, Agent, or Firm—Burns, Doane, Swecker & Mathis

[57] **CLAIM**

The ornamental design for a cutting insert, as shown and described.

DESCRIPTION

FIG. 1 is a top, front perspective view of a cutting insert showing our new design;
FIG. 2 is a top, back perspective view thereof;
FIG. 3 is a front elevational view thereof;
FIG. 4 is a bottom plan view thereof;
FIG. 5 is a right side elevational view thereof;
FIG. 6 is a top plan view thereof;
FIG. 7 is a back elevational view thereof; and,
FIG. 8 is a left side elevational view thereof.
The left side and other end of the cutting insert are not shown as they are mirror images identical with the illustrated views.



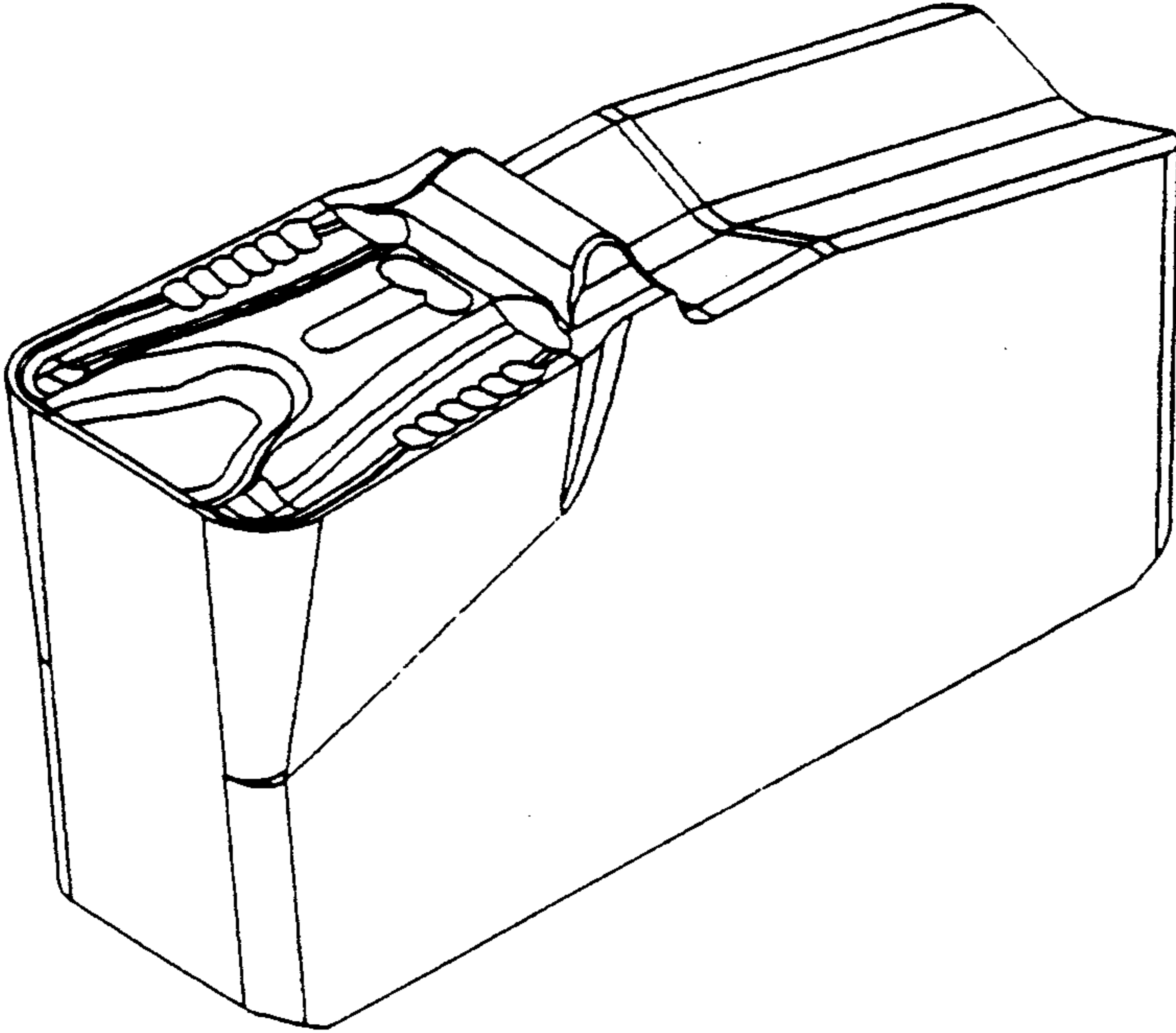


FIGURE 1

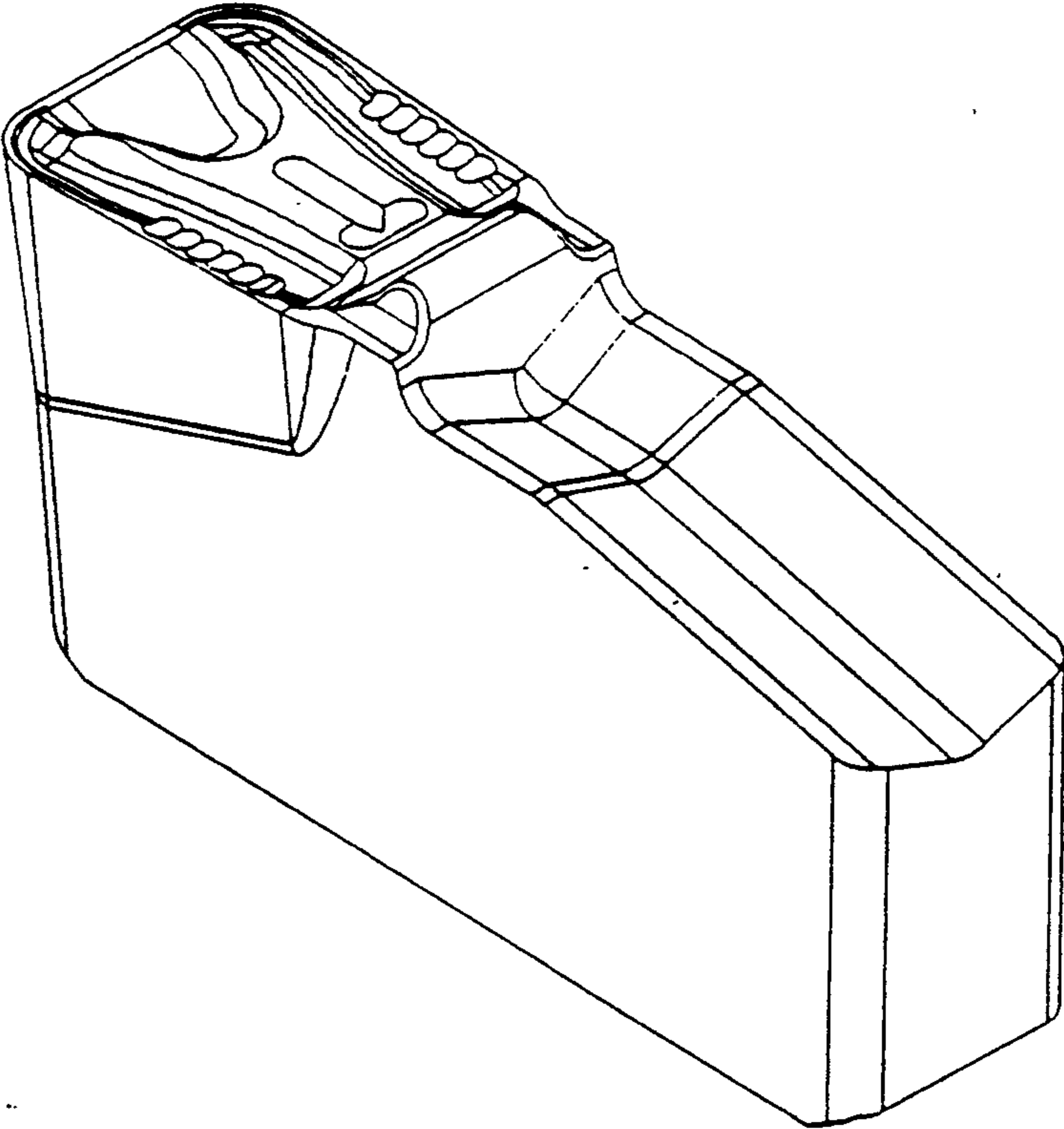


FIGURE 2

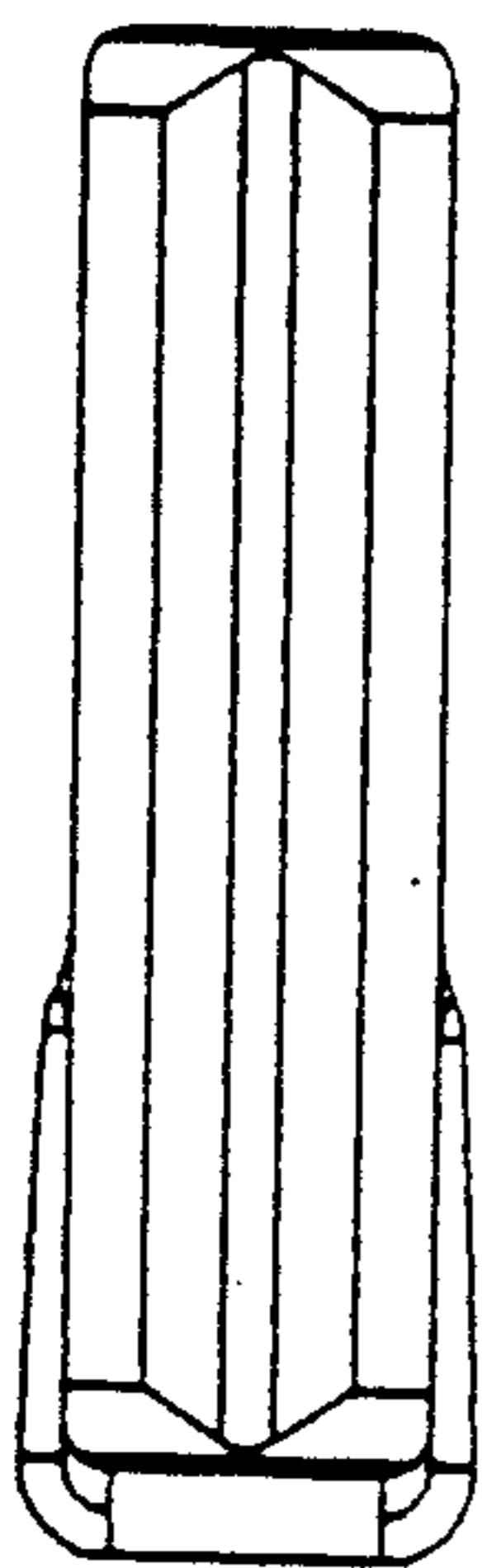


FIGURE 4

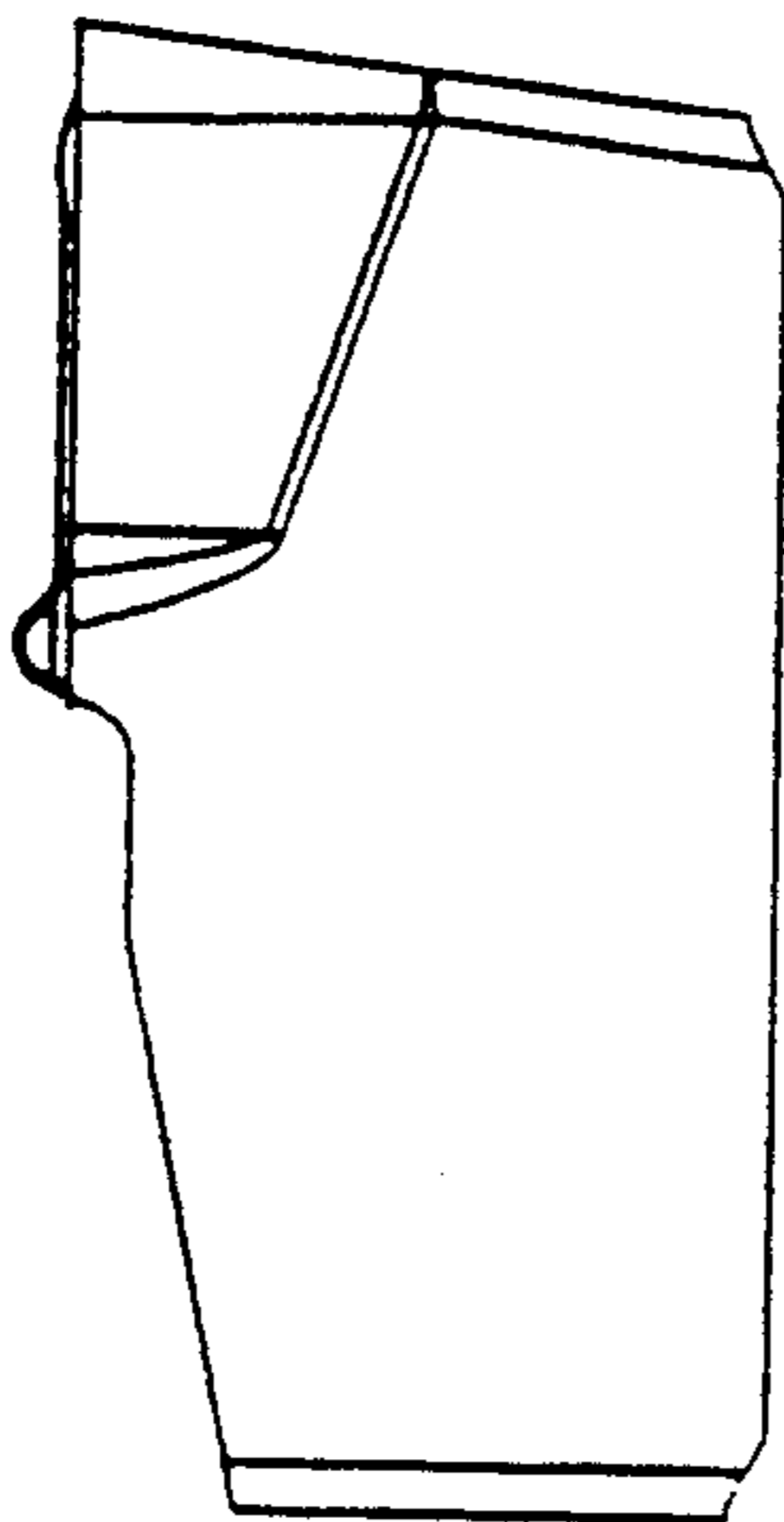


FIGURE 5

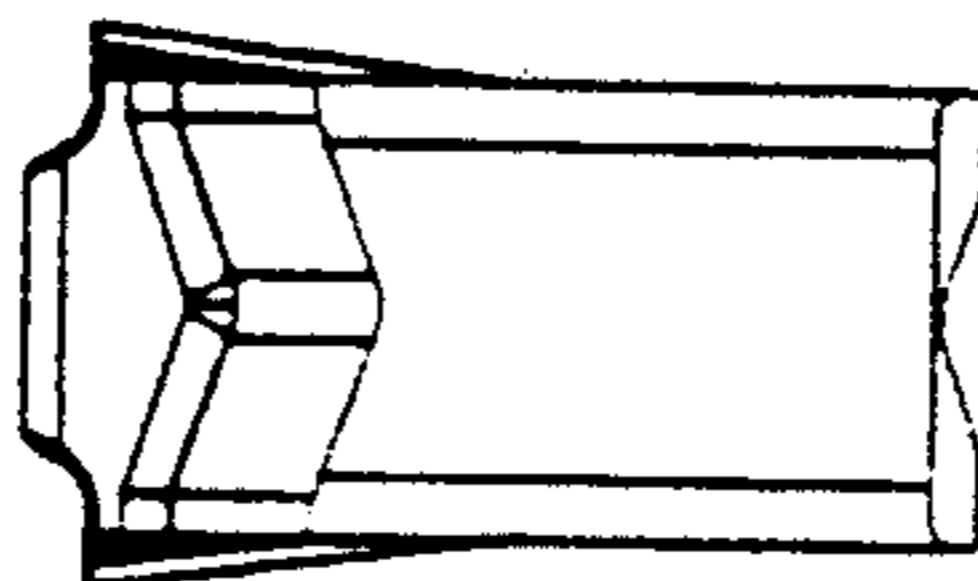


FIGURE 7

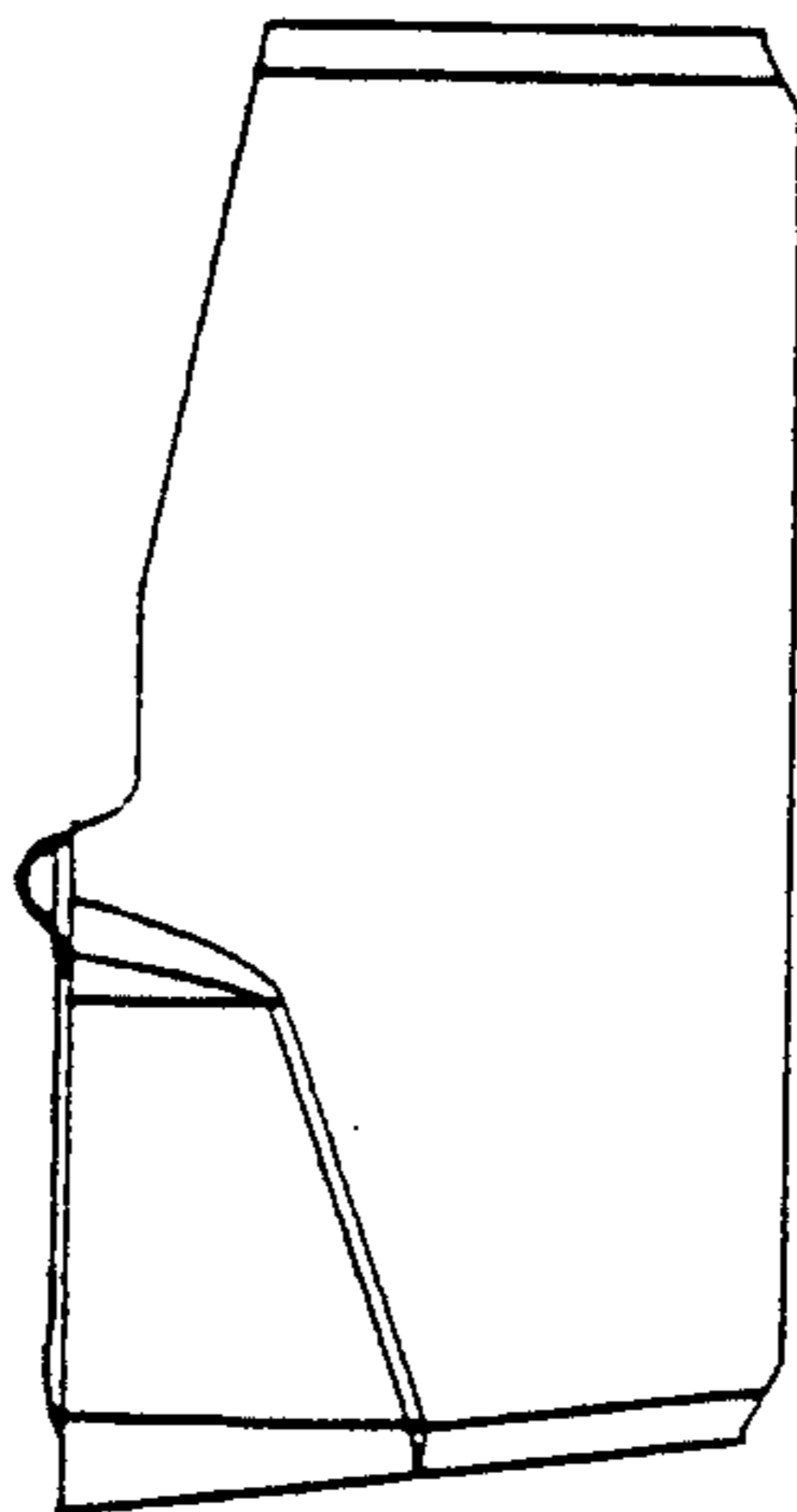


FIGURE 8

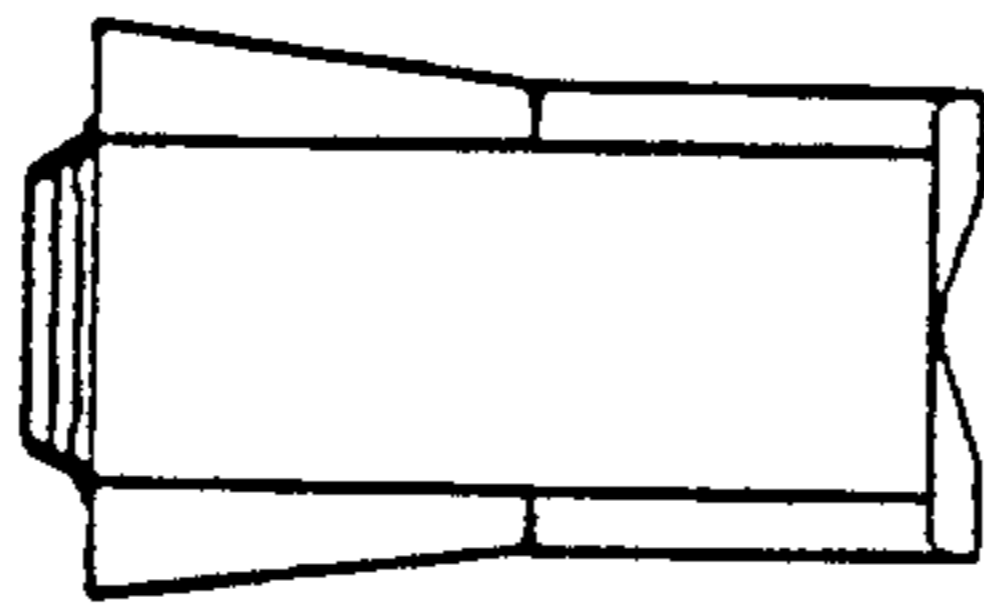


FIGURE 3

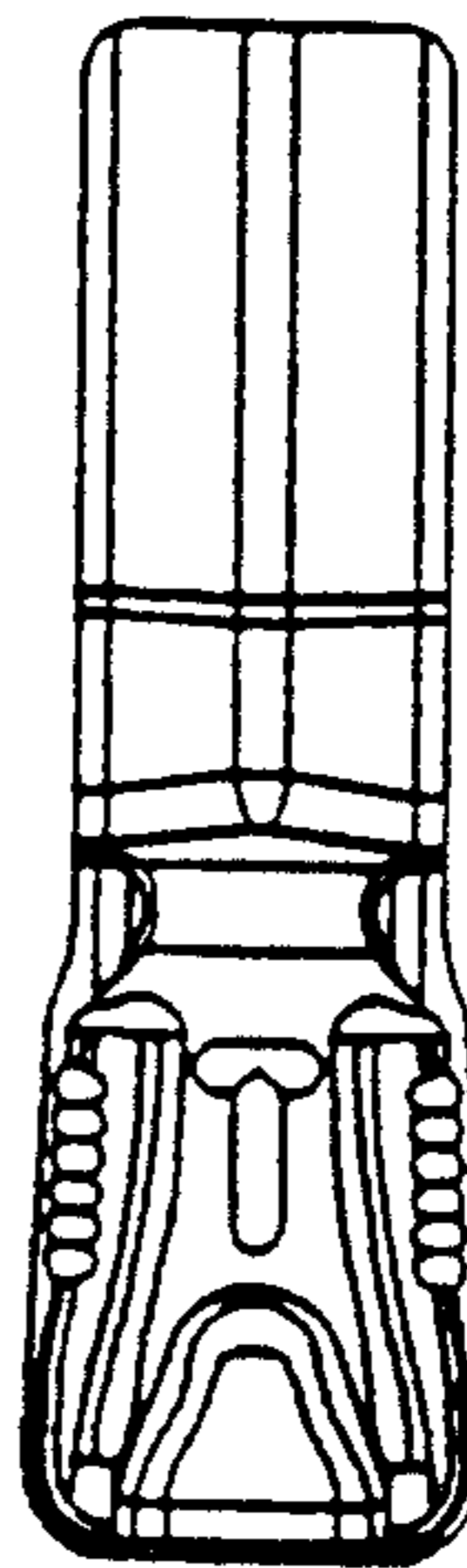


FIGURE 6