



US00D343399S

# United States Patent [19]

[11] Patent Number: **Des. 343,399**

Meyer

[45] Date of Patent: **\*\* Jan. 18, 1994**

[54] **MILLING HEAD FOR WOODWORKING**

4,082,128 4/1978 Barke et al. .... 144/230

[75] Inventor: **Scott W. Meyer, Tampa, Fla.**

### FOREIGN PATENT DOCUMENTS

[73] Assignee: **Iggesund Tools, AB, Iggesund, Sweden**

451371 10/1927 Fed. Rep. of Germany ..... 144/230

[\*\*] Term: **14 Years**

*Primary Examiner*—Nelson C. Holtje  
*Assistant Examiner*—Antoine D. Davis  
*Attorney, Agent, or Firm*—Dowell & Dowell

[21] Appl. No.: **857,430**

### [57] CLAIM

[22] Filed: **Mar. 25, 1992**

[52] U.S. Cl. .... **D15/139**

The ornamental design for a milling head for wood-  
working, as shown and described.

[58] Field of Search ..... 144/230, 240; **D15/138,  
D15/139**

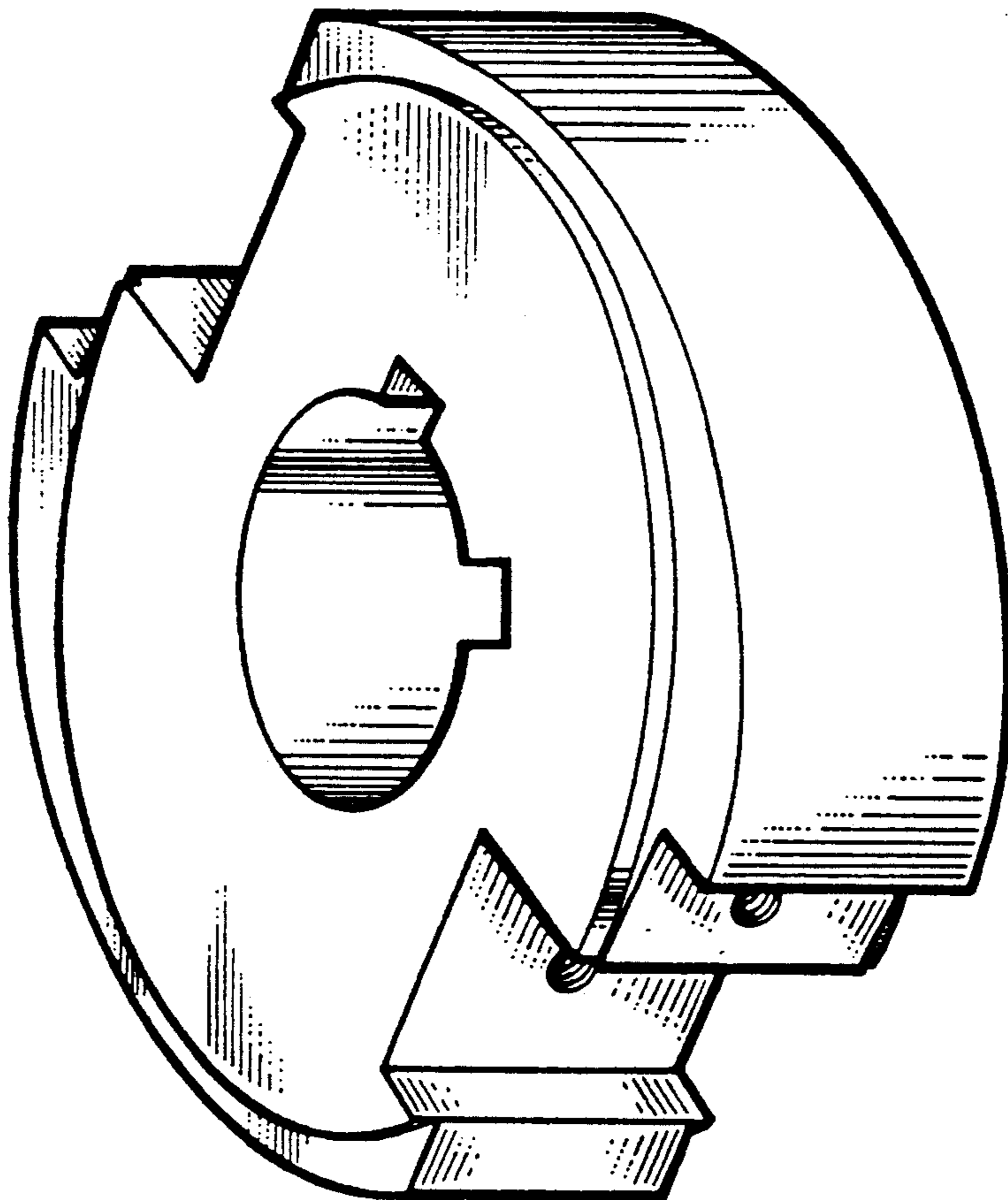
### DESCRIPTION

### [56] References Cited

#### U.S. PATENT DOCUMENTS

D. 269,348 6/1983 Strohmaier ..... D15/139  
1,190,197 7/1916 Shimer ..... 144/230

FIG. 1 is a front perspective view of a milling head for  
woodworking showing my new design;  
FIG. 2 is a front elevational view thereof; and,  
FIG. 3 is a left side elevational view, a view taken from  
the right side being a mirror image thereof.



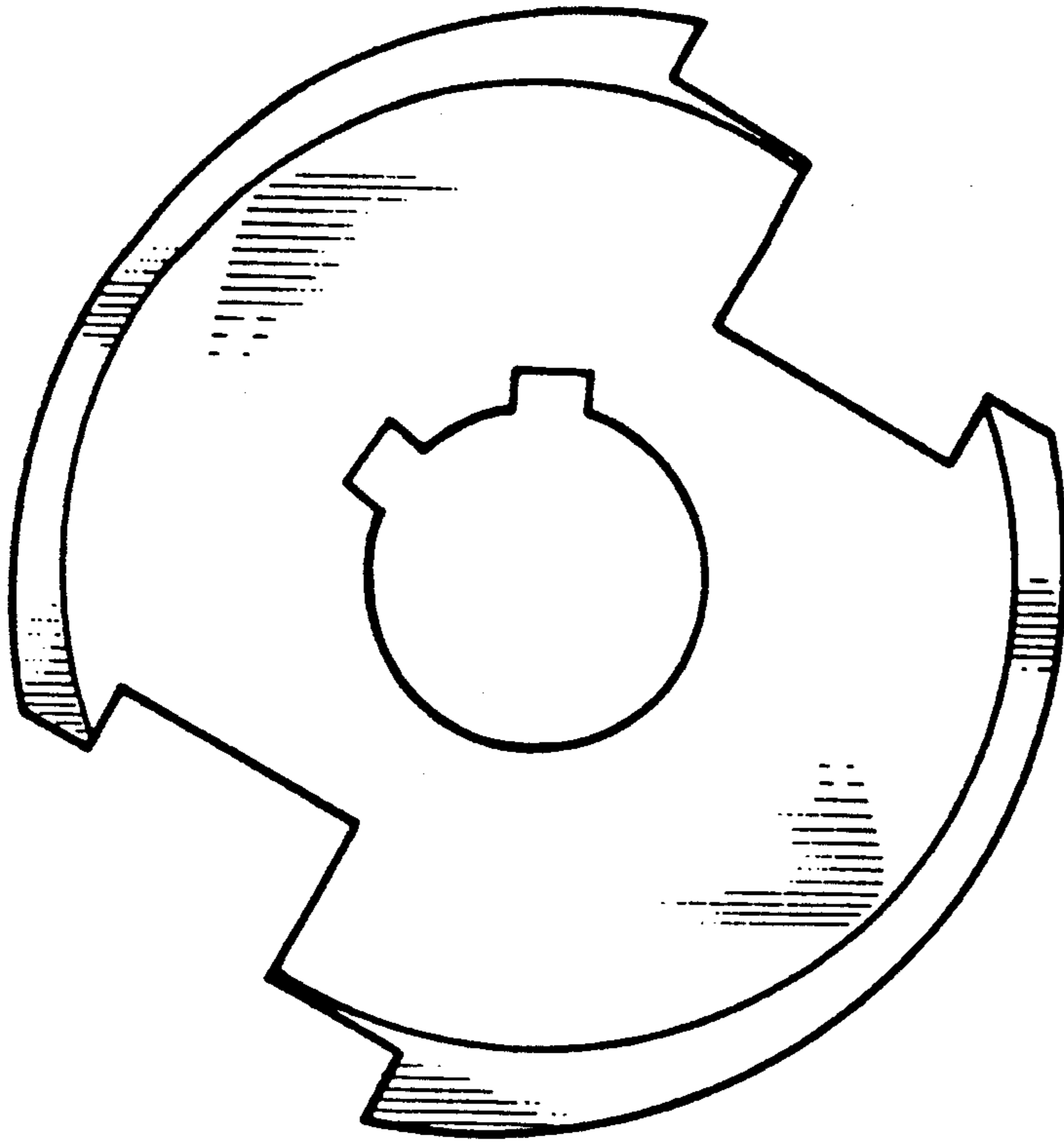


FIG. 3

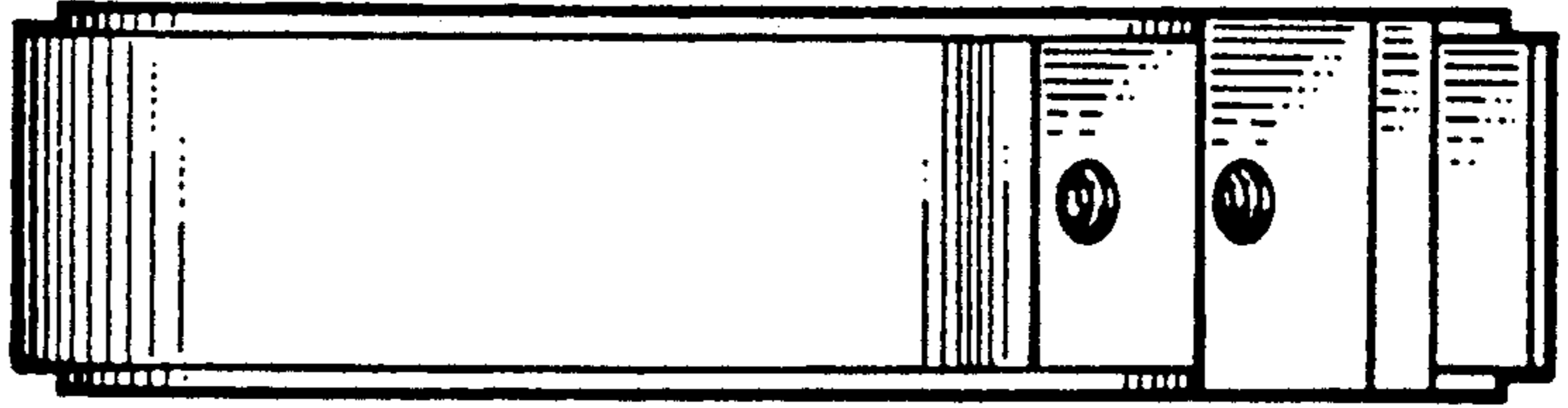


FIG. 2

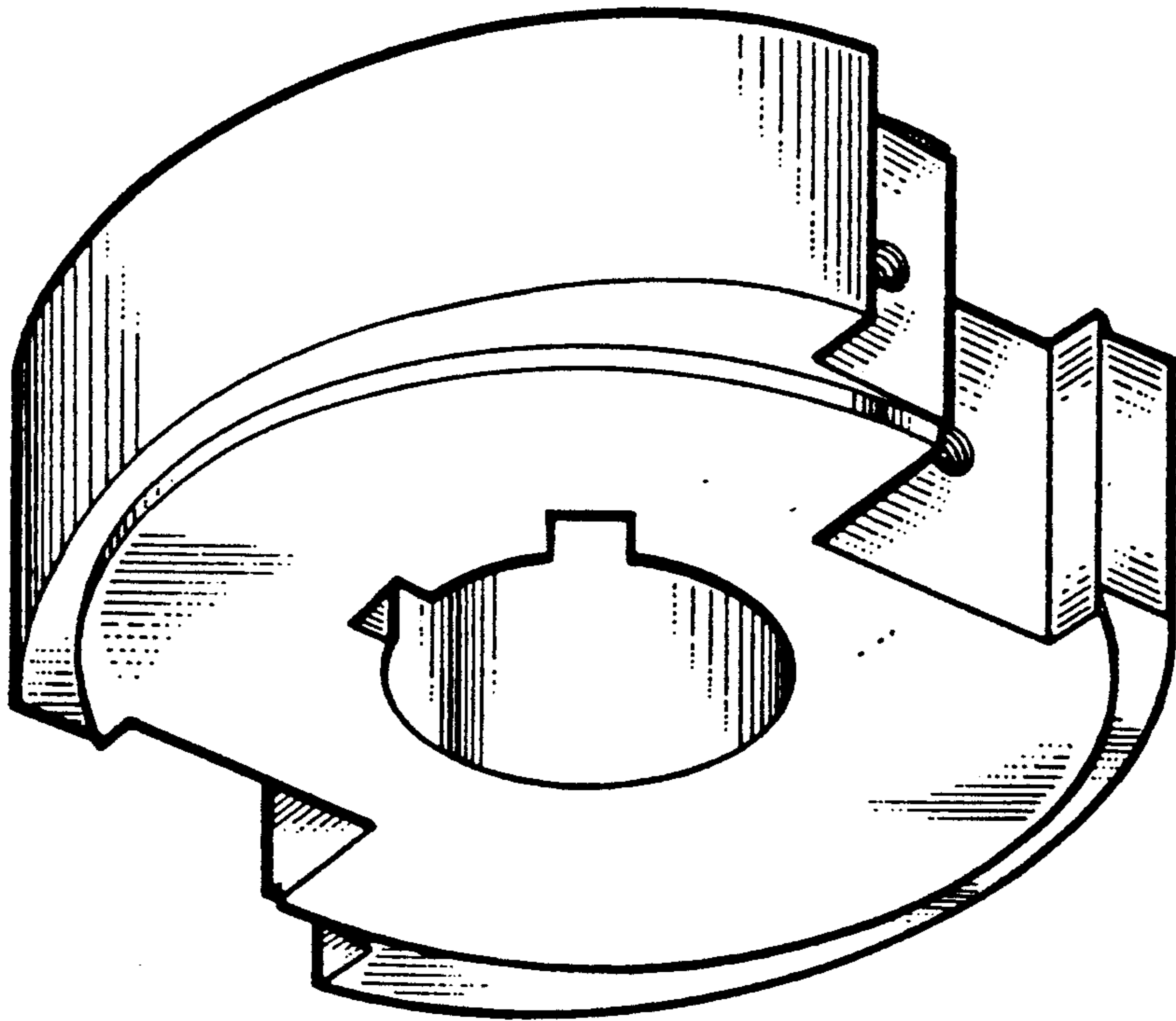


FIG. 1