



US00D343398S

United States Patent [19]

[11] Patent Number: **Des. 343,398**

Dunn

[45] Date of Patent: **** Jan. 18, 1994**

[54] **LINEAR PUNCH PRESS**

4,486,941 12/1984 Scott et al. D15/128 X
4,503,741 3/1985 Hunter et al. .

[76] Inventor: **David C. Dunn**, 410 E. Cleveland,
Guthrie, Okla. 73044

Primary Examiner—Alan P. Douglas
Assistant Examiner—Antoine D. Davis
Attorney, Agent, or Firm—Robert K. Rhea

[**] Term: **14 Years**

[21] Appl. No.: **756,779**

[57] **CLAIM**

[22] Filed: **Sep. 6, 1991**

The ornamental design for a linear punch press, as shown.

[52] U.S. Cl. **D15/128**

[58] Field of Search 83/277; D15/127, 128

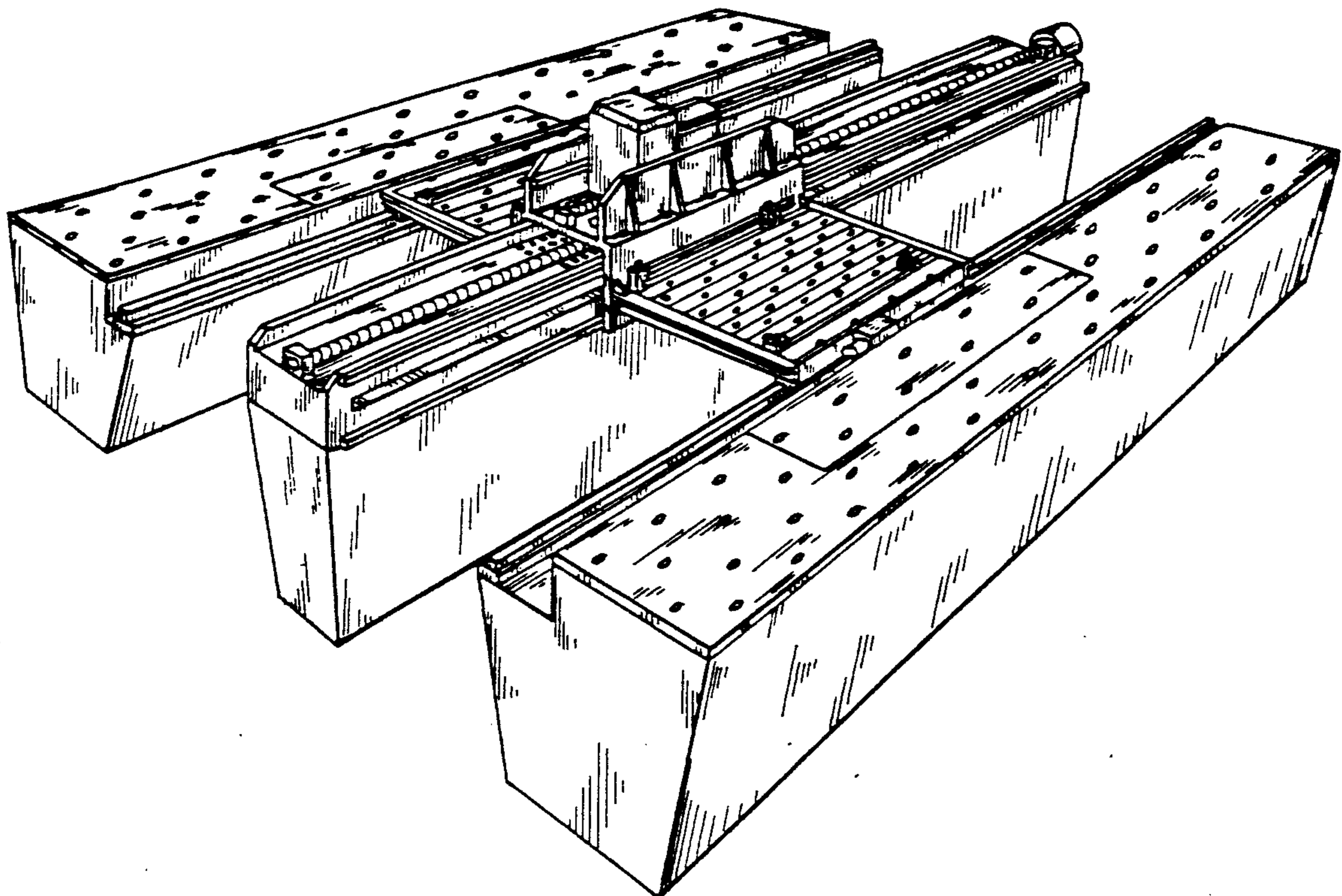
DESCRIPTION

[56] **References Cited**

FIG. 1 is a perspective view of a linear punch press showing my new design;
FIG. 2 is a front elevational view;
FIG. 3 is a right side elevational view; and,
FIG. 4 is a top plan view thereof.

U.S. PATENT DOCUMENTS

3,449,991 6/1969 Daniels .
3,717,061 2/1973 Daniels 83/552 X



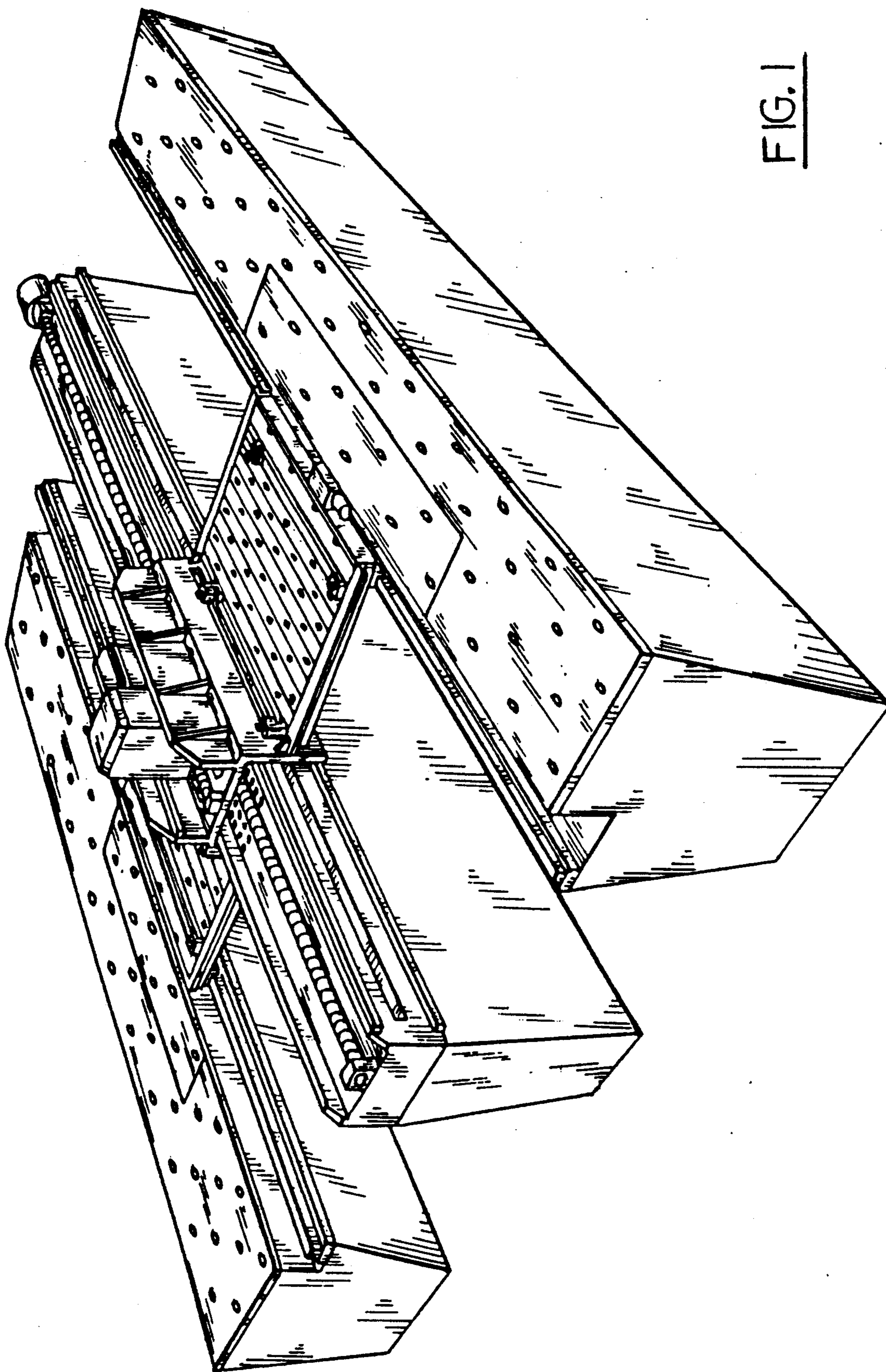
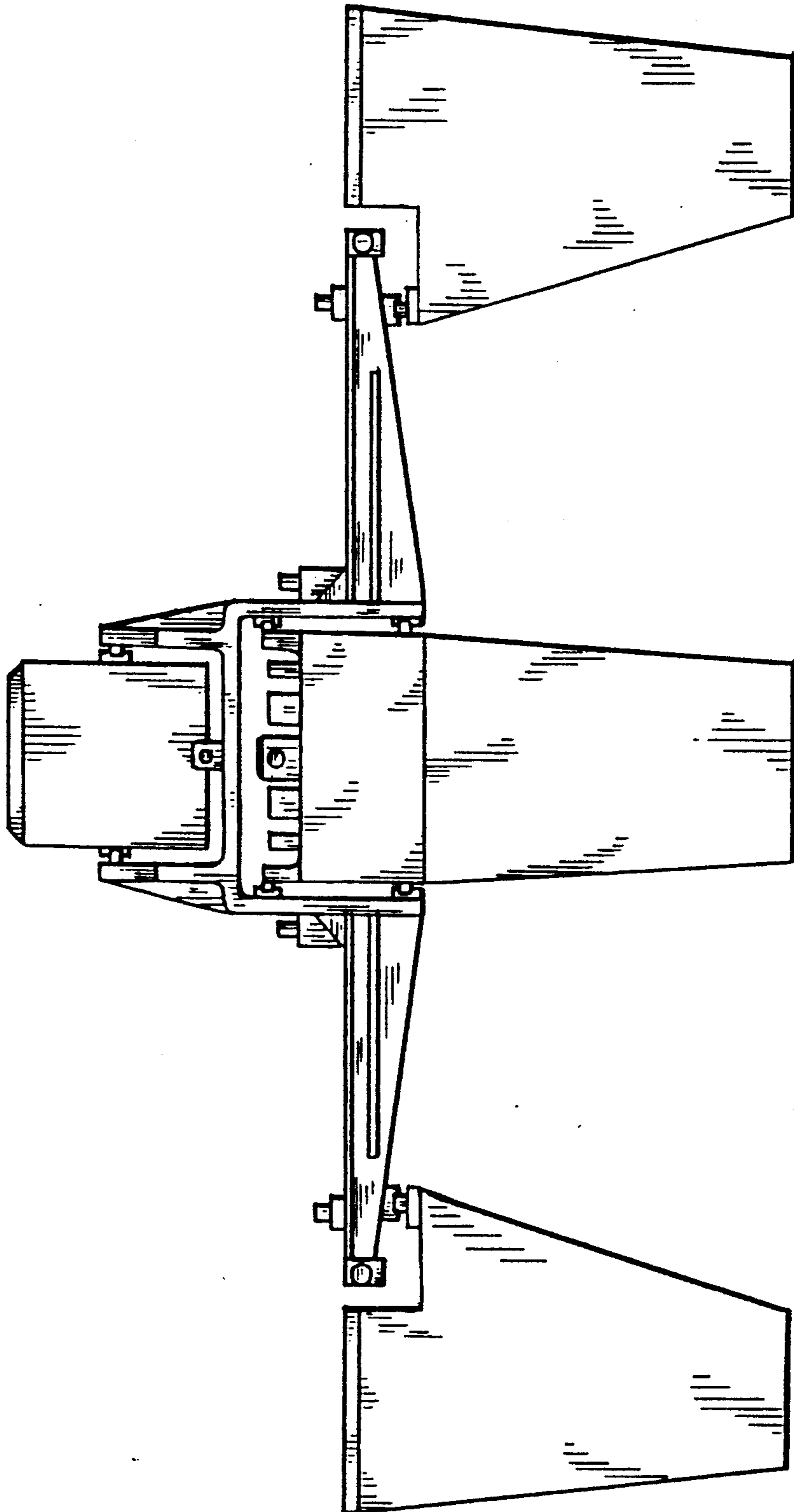


FIG. 1

FIG. 2



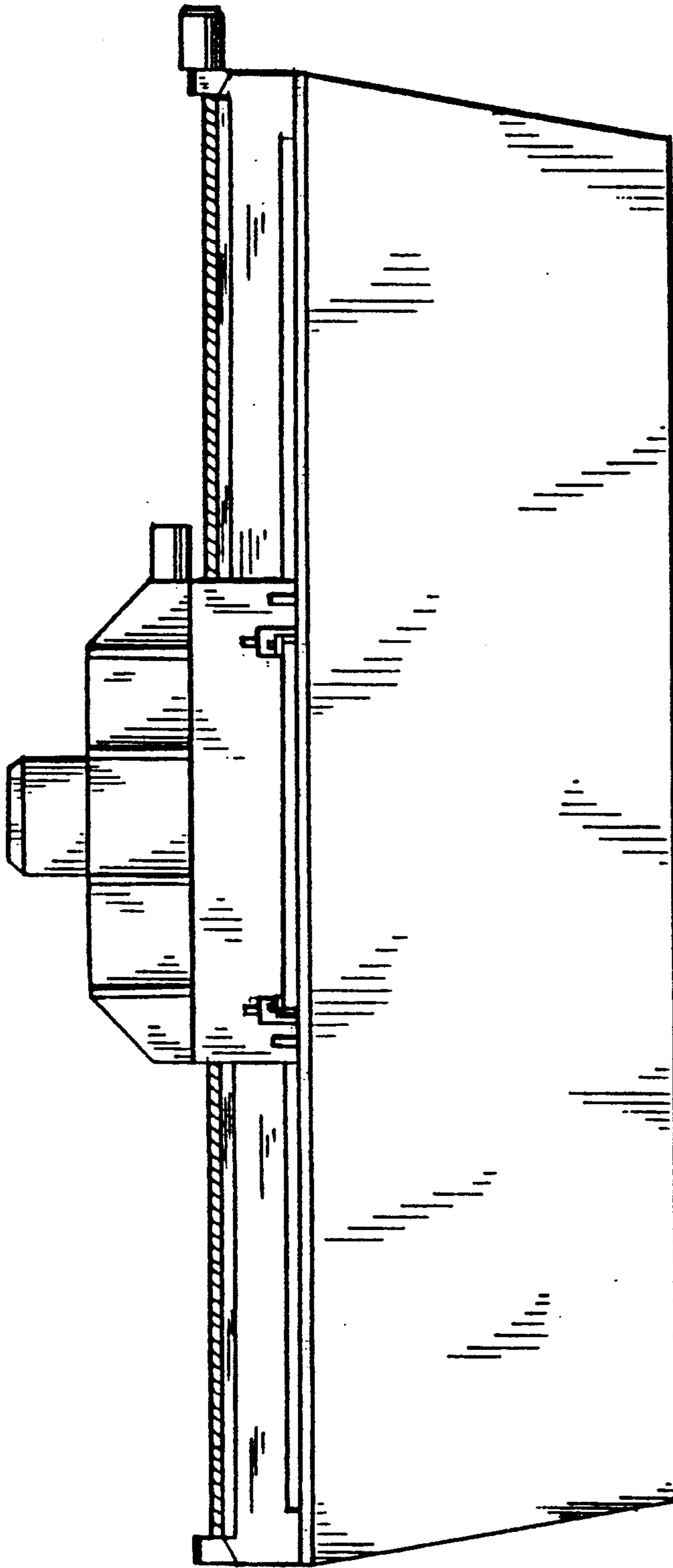


FIG. 3

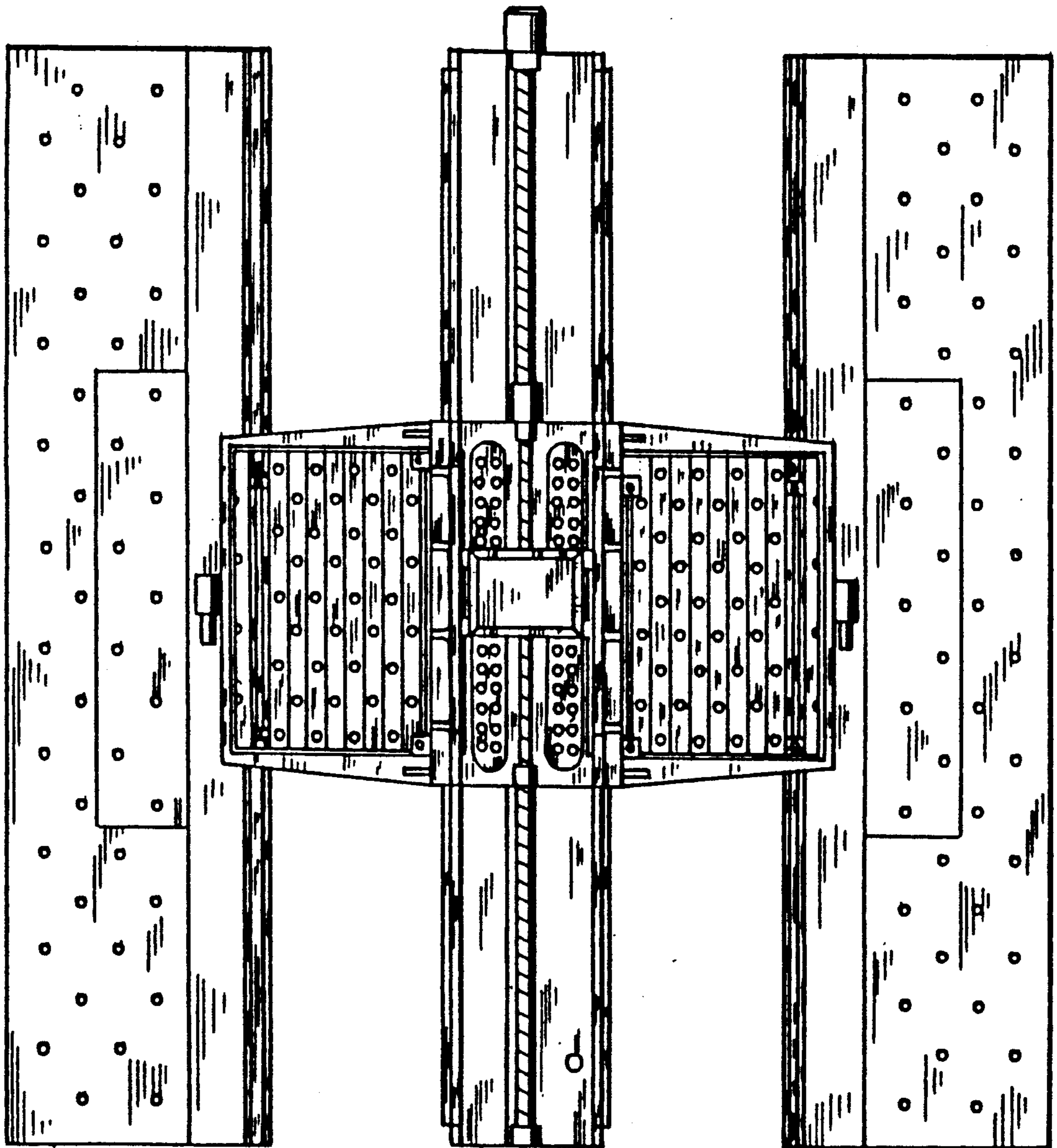


FIG. 4