



US00D343391S

United States Patent [19] Hancock

[11] Patent Number: **Des. 343,391**
[45] Date of Patent: **** Jan. 18, 1994**

[54] COVER PLATE FOR TOUCH SENSOR
PLUG-IN MODULE FOR COMPUTERS

[75] Inventor: Neil Hancock, West Perth, Australia

[73] Assignee: Portacom Pty. Ltd., Perth, Australia

[**] Term: 14 Years

[21] Appl. No.: 743,588

[22] Filed: Aug. 12, 1991

[30] Foreign Application Priority Data

Feb. 14, 1991 [AU] Australia 0398/91

[52] U.S. Cl. D14/114; D8/350

[58] Field of Search D8/350, 353; 174/66;
220/241; 439/536; 340/207, 709-710; 273/148
B; D13/177; D14/114

[56] References Cited

U.S. PATENT DOCUMENTS

D. 232,346 8/1974 Cali D8/353
D. 291,992 9/1987 Duffin, II D14/114

4,479,317 10/1984 Hanna 174/66
4,658,666 4/1987 Liu 273/148 B
4,961,126 10/1990 Suzuki 340/170
5,019,677 5/1991 Menen 340/709
5,044,987 9/1991 Tihanyi 439/536
5,114,036 5/1992 Liu D8/353

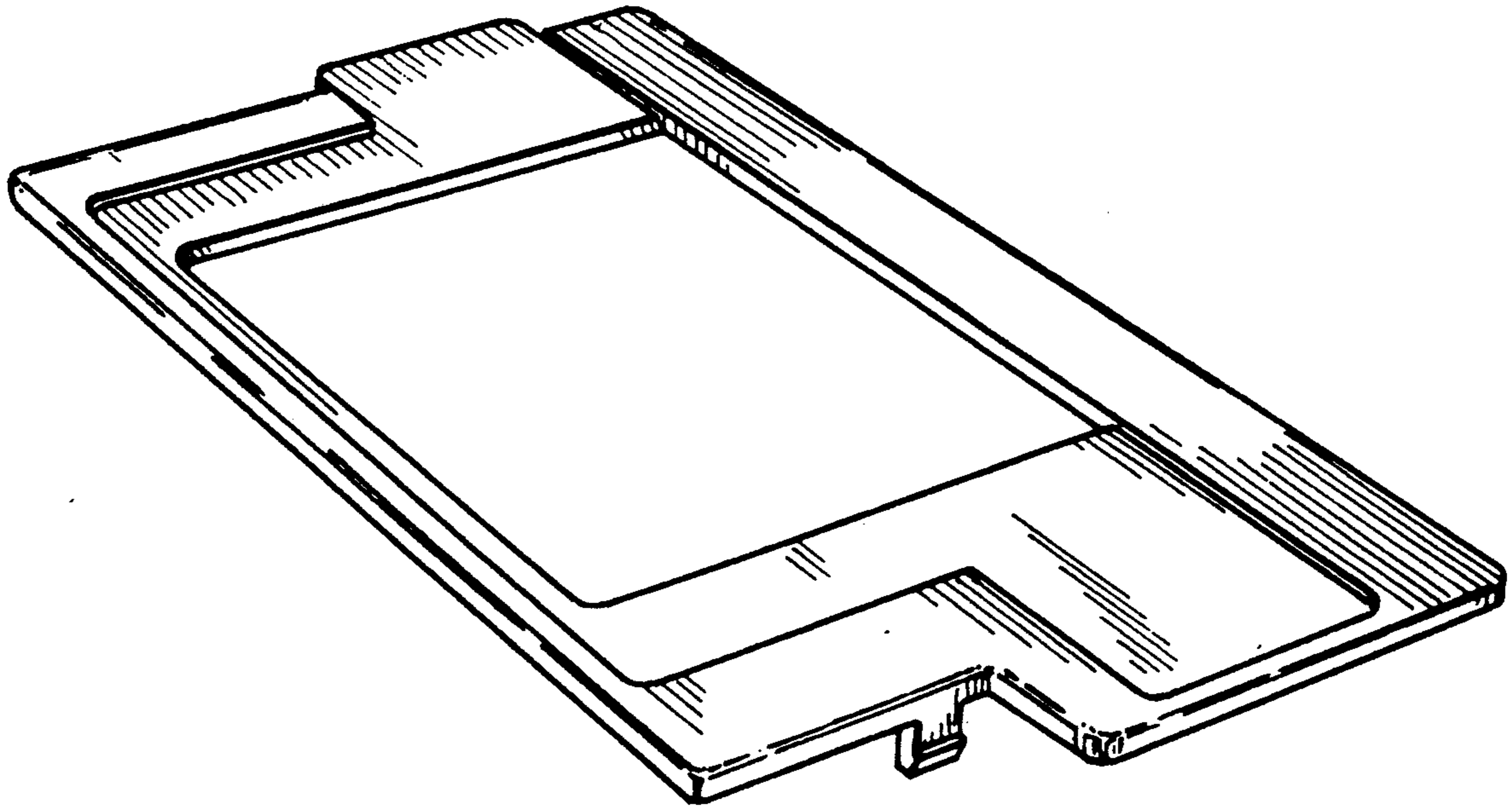
Primary Examiner—B. J. Bullock
Attorney, Agent, or Firm—Larson and Taylor

[57] CLAIM

The ornamental design for a cover plate for touch sensor plug-in module for computers, as shown and described.

DESCRIPTION

FIG. 1 is a top perspective view of a cover plate for touch sensor plug-in module for computers;
FIG. 2 is a bottom perspective view thereof;
FIG. 3 is a top view thereof;
FIG. 4 is a side view taken from the bottom of FIG. 3;
FIG. 5 is a bottom view thereof; and,
FIG. 6 is a sectional view taken in the direction of the arrows on line 6—6 of FIG. 3.



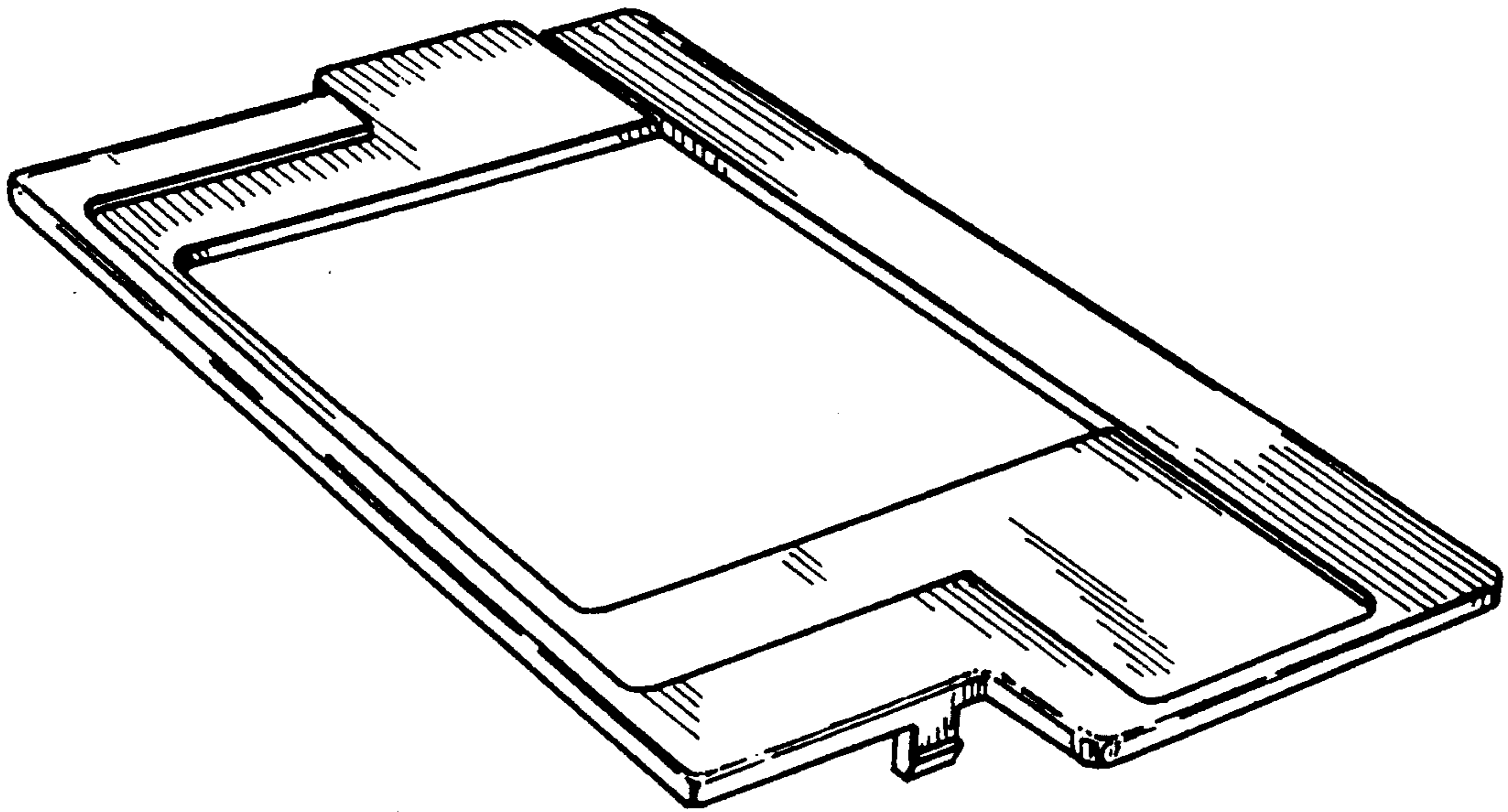


FIG. 1.

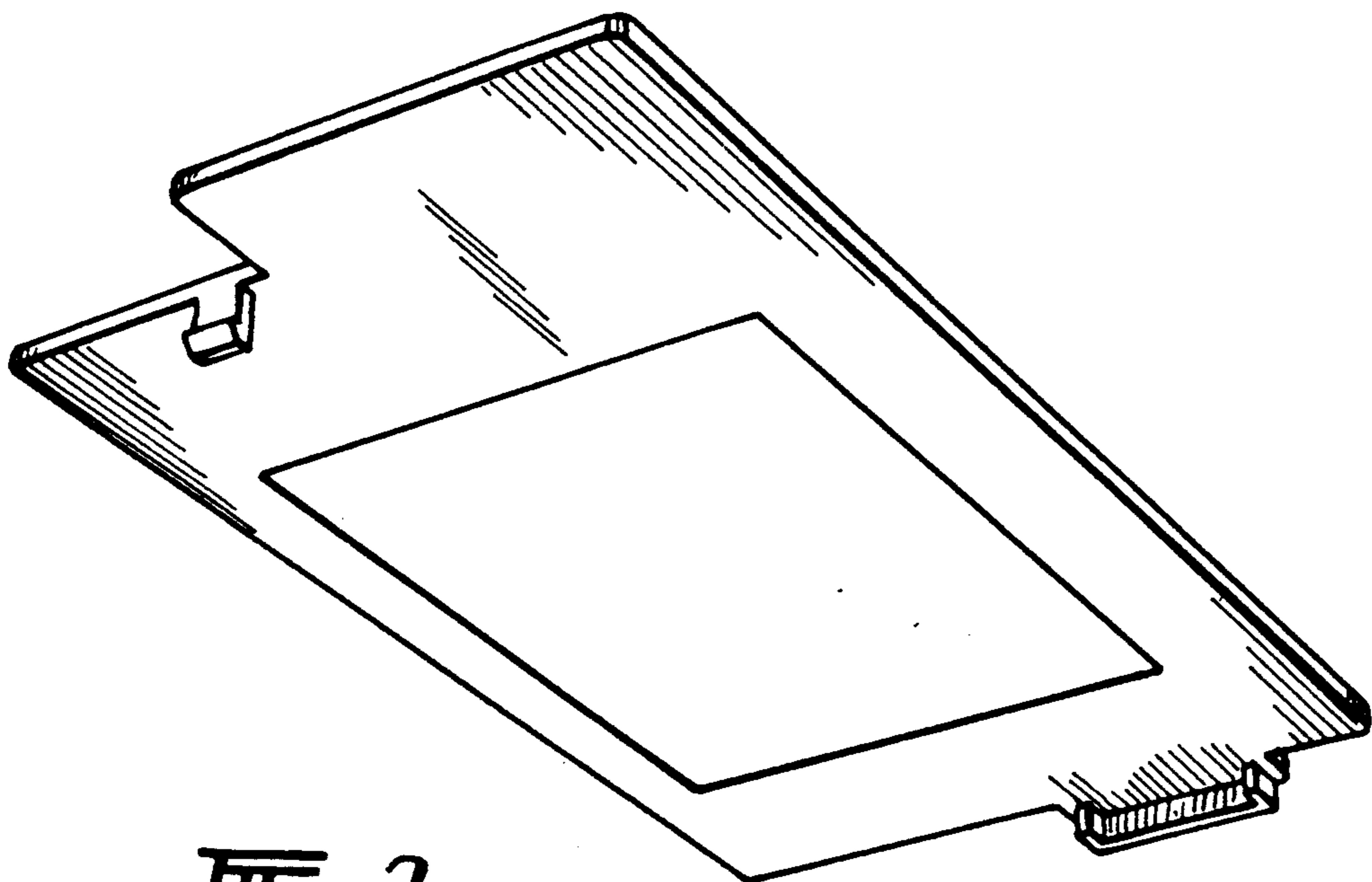


FIG. 2.

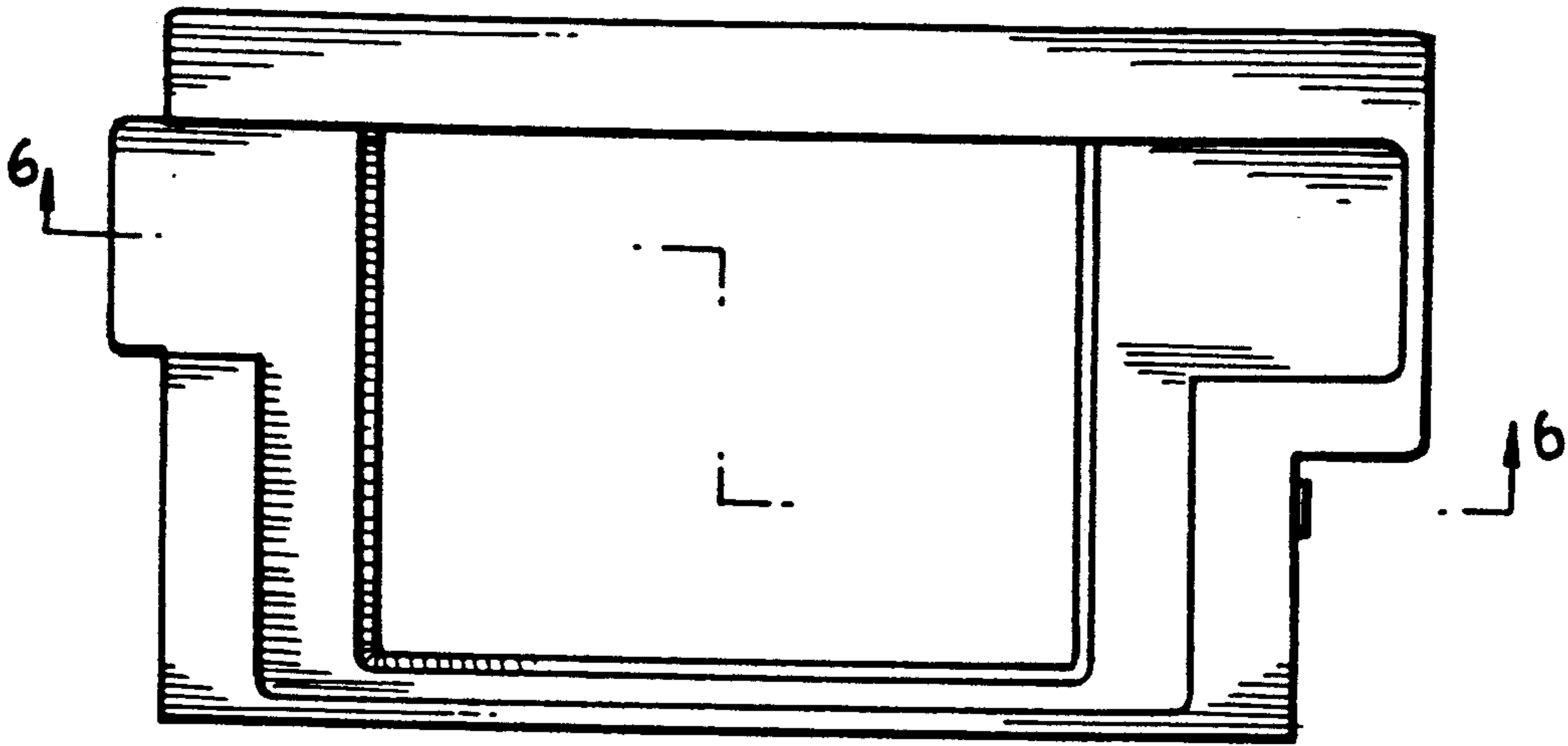


FIG. 3.



FIG. 4.

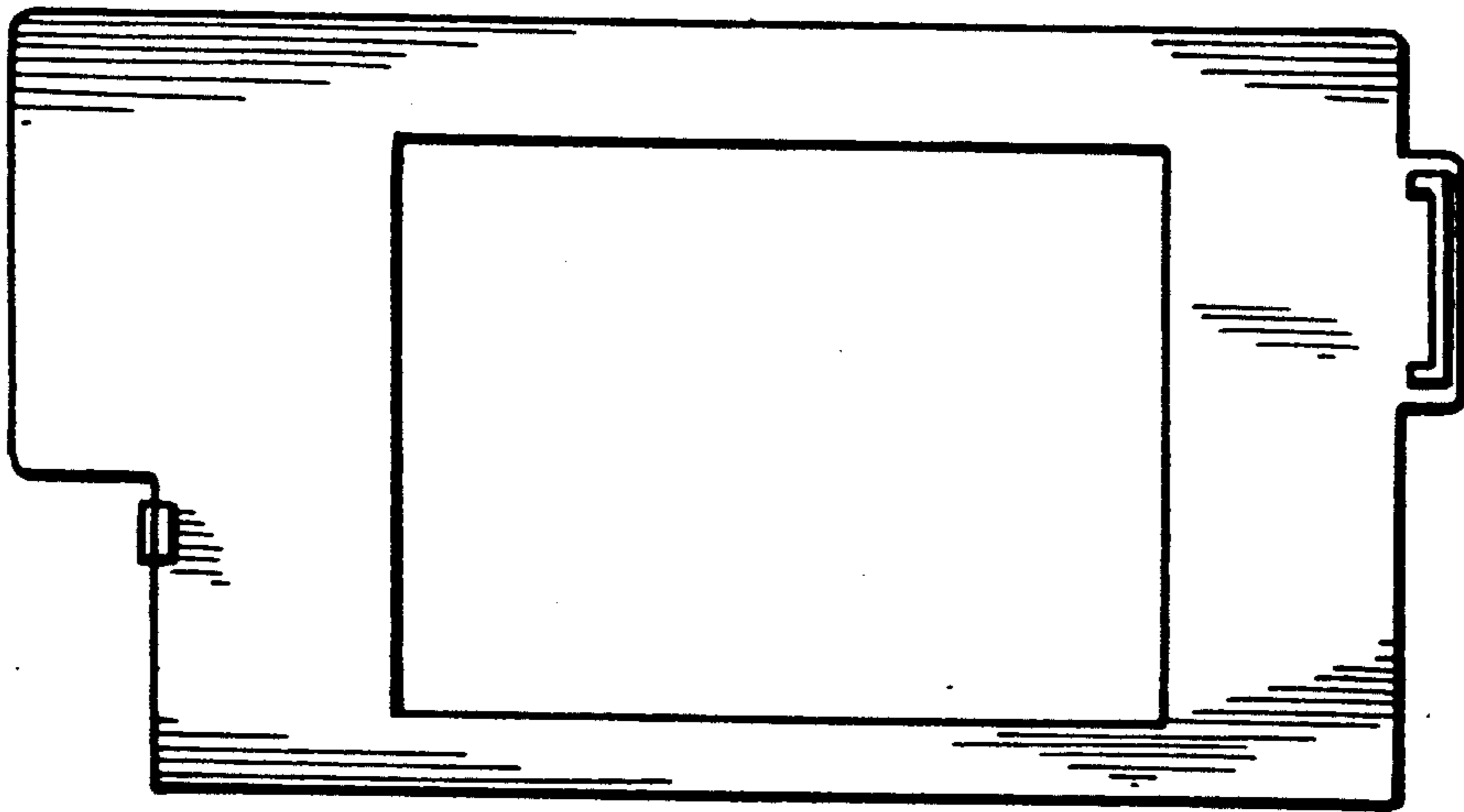


FIG. 5.



FIG. 6.