



US00D343390S

United States Patent [19]

[11] Patent Number: **Des. 343,390**

Tarbutt et al.

[45] Date of Patent: **** Jan. 18, 1994**

[54] **TABLE TOP IMAGE BASED DOCUMENT PROCESSING MACHINE FOR USE WITH PERSONAL COMPUTER**

D. 303,660 9/1989 Yamagiwa et al. D14/107
D. 315,898 4/1991 Hokura et al. D14/107
4,616,269 10/1986 Mori 358/496
4,623,937 11/1986 Watanabe 355/235 X

[75] Inventors: **Vern Tarbutt, Kitchener; Graham Marshall; Alistair Hamilton, both of Waterloo, all of Canada**

FOREIGN PATENT DOCUMENTS

694665 12/1986 Japan D14/

[73] Assignee: **NCR Corporation, Dayton, Ohio**

Primary Examiner—Wallace R. Burke
Assistant Examiner—Freda S. Nunn
Attorney, Agent, or Firm—Elmer Wargo

[**] Term: **14 Years**

[57] CLAIM

[21] Appl. No.: **639,700**

The ornamental design for a table top image based document processing machine for use with personal computer, as shown and described.

[22] Filed: **Dec. 10, 1990**

DESCRIPTION

[52] U.S. Cl. **D14/107; D18/55**

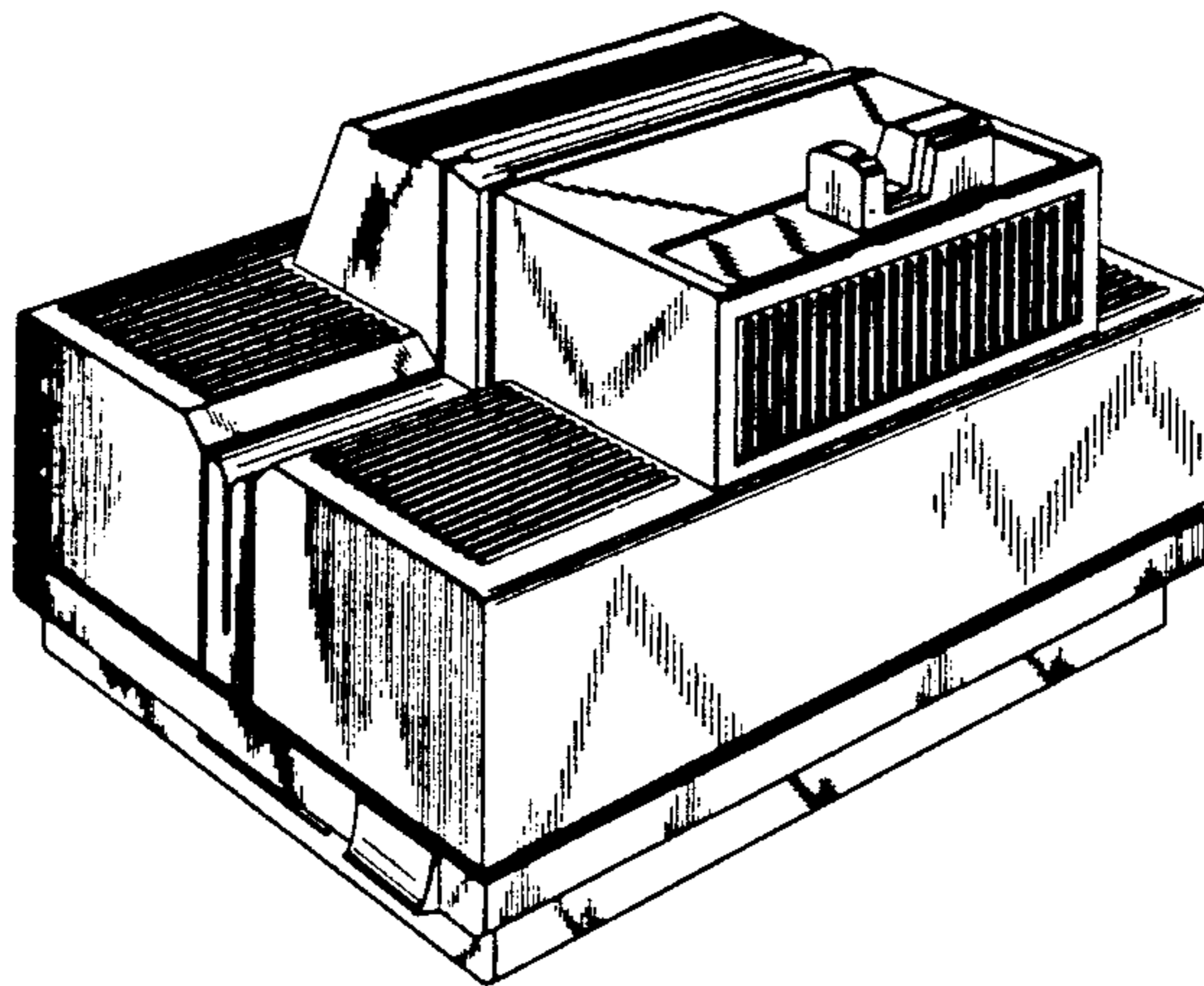
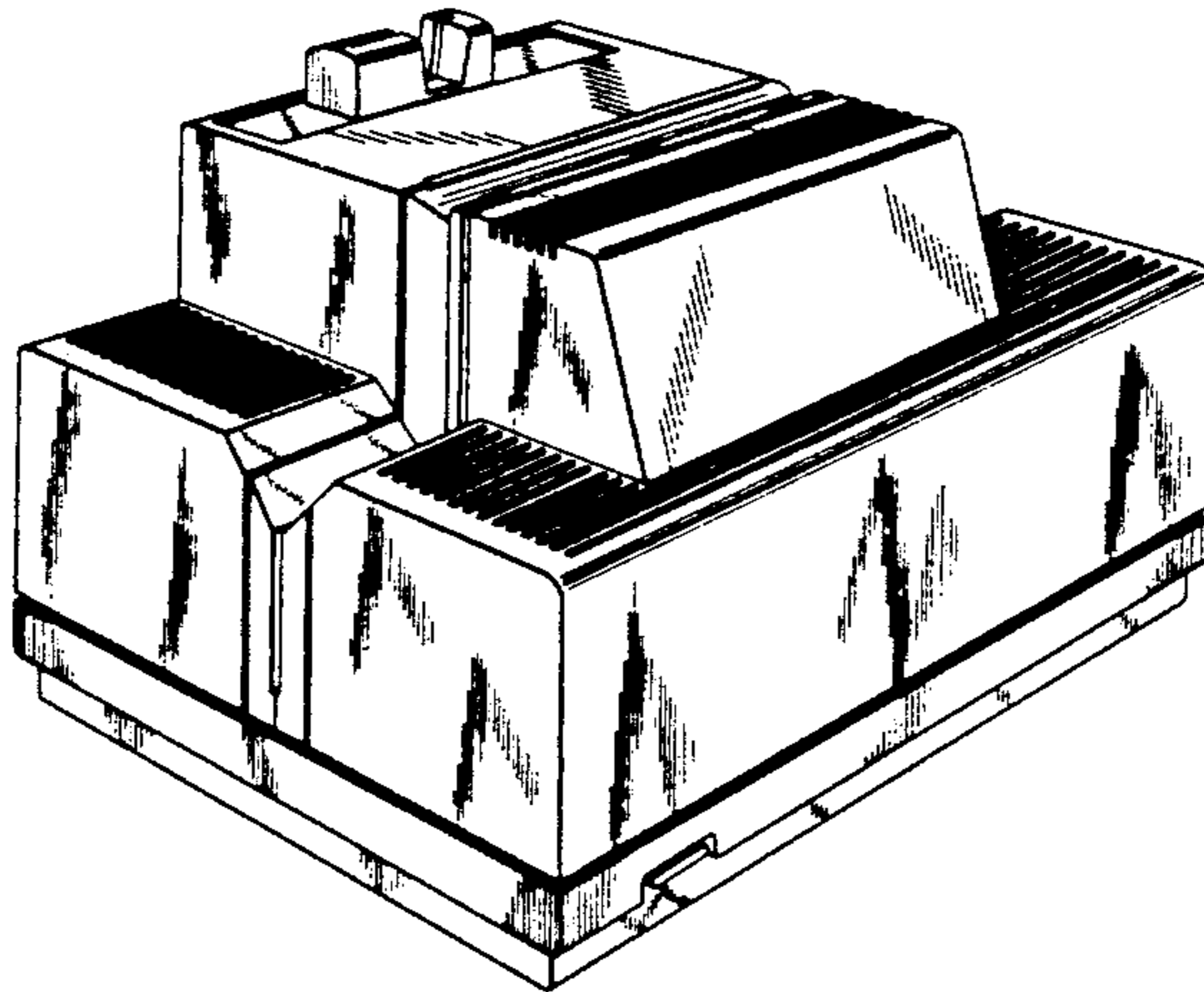
[58] Field of Search 235/454, 470; 250/203 R, 566, 568; 358/285, 293, 294, 483, 496; 355/231, 233, 145 H, 235; 354/80, 81, 82; D14/105, 107, 118; D16/223; D18/40, 55

FIG. 1 is a front perspective view of a table top image based document processing machine for use with personal computer showing our new design; FIG. 2 is a rear perspective view thereof; FIG. 3 is a front elevational view thereof on an enlarged scale; FIG. 4 is a rear elevational view thereof; FIG. 5 is a top plan view thereof; FIG. 6 is a left side elevational view thereof; and, FIG. 7 is a right side elevational view thereof.

[56] References Cited

U.S. PATENT DOCUMENTS

D. 216,799 3/1970 Kapper et al. D14/105
D. 244,386 5/1977 Schaum et al. D14/105
D. 258,060 1/1981 Shea D18/55
D. 295,412 4/1988 Izaki D14/107
D. 299,826 2/1989 Takahashi D14/107



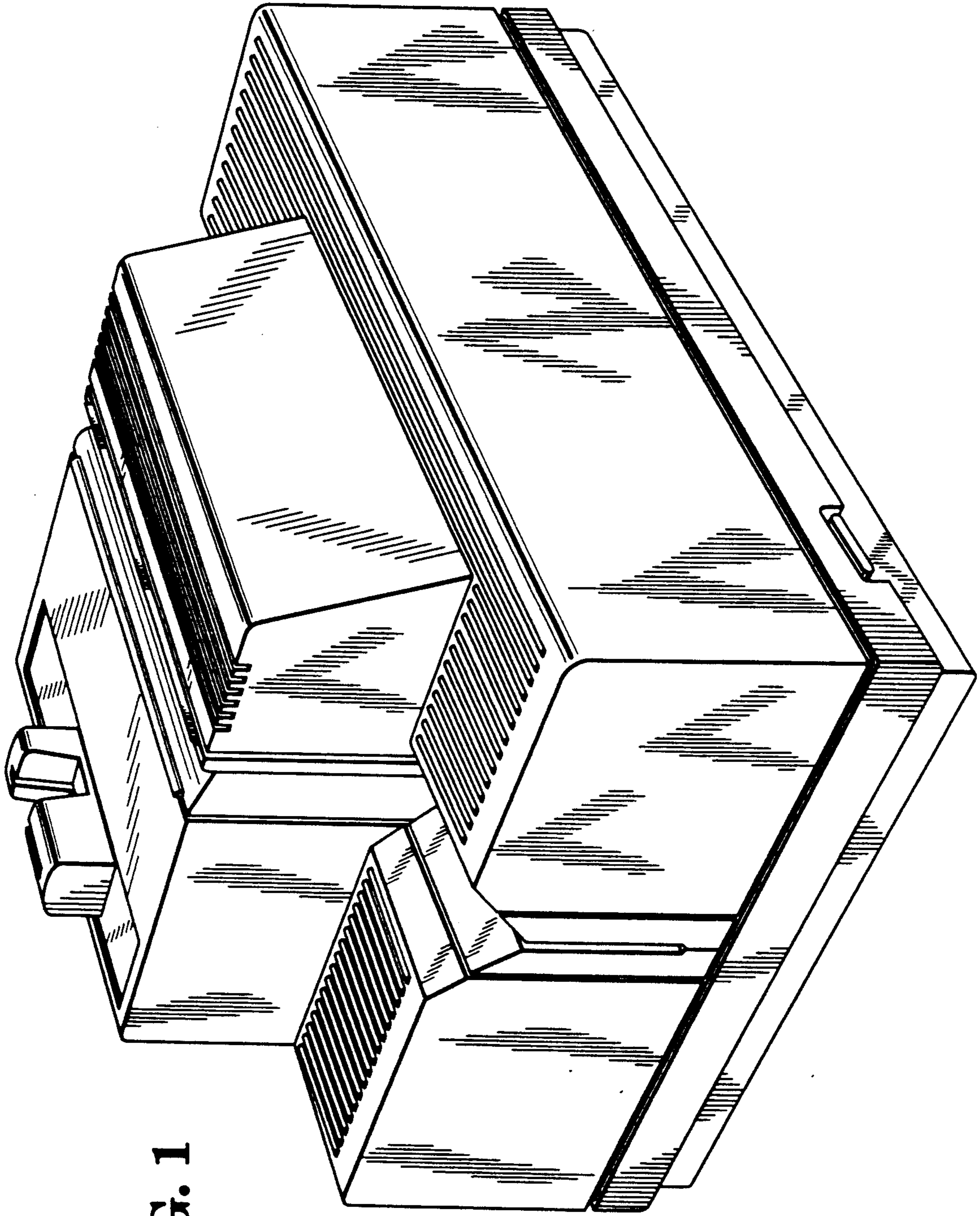


FIG. 1

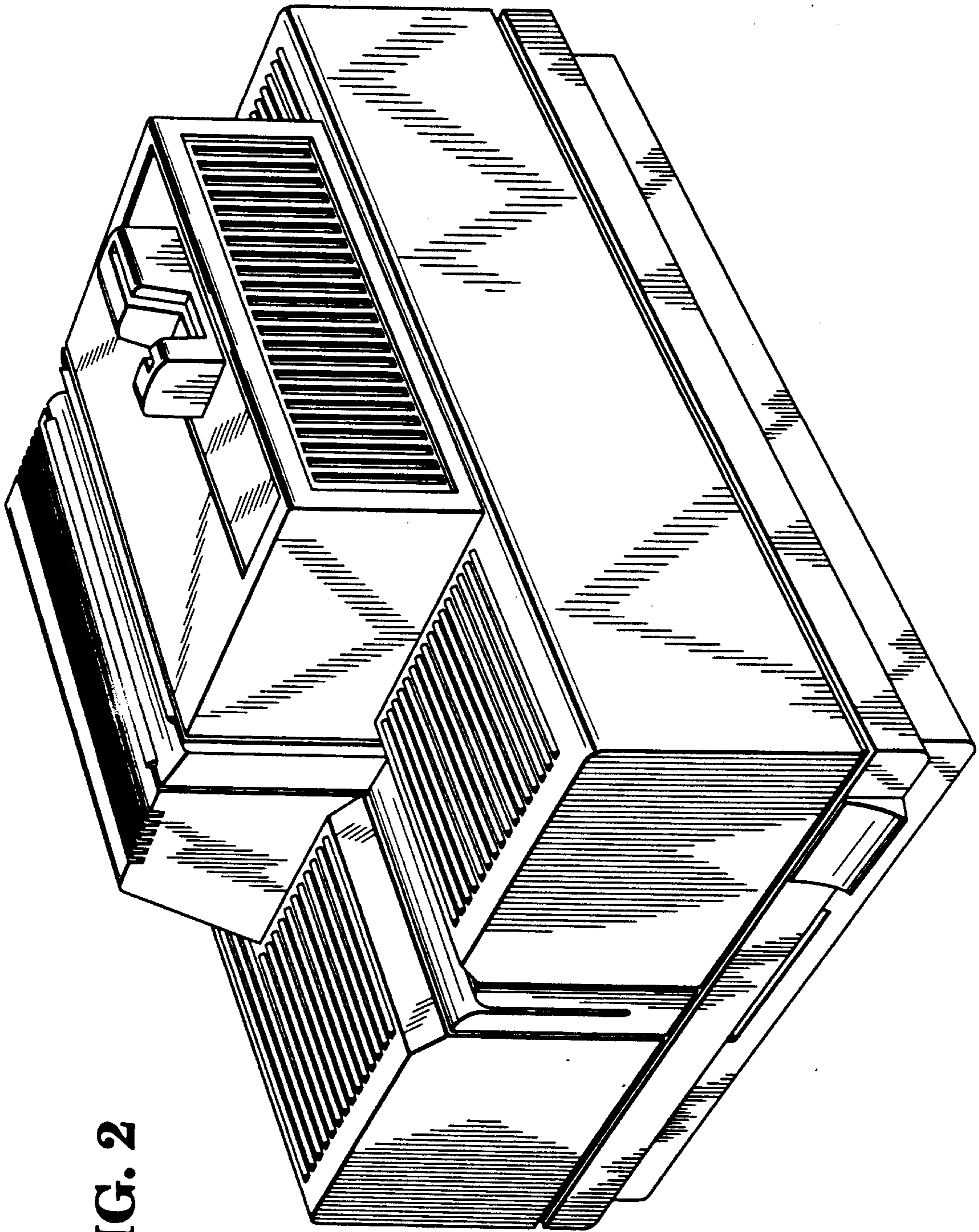
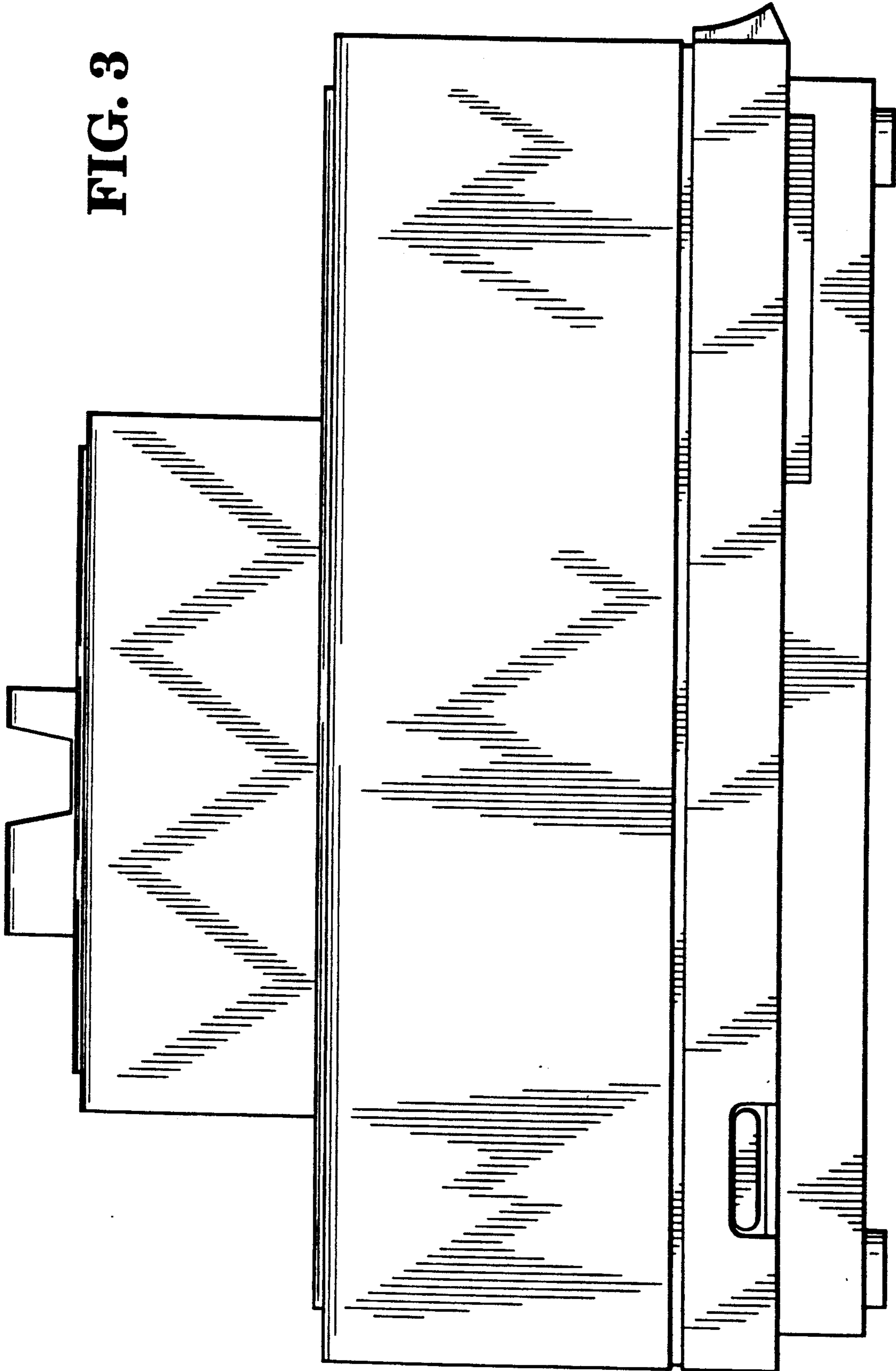


FIG. 2

FIG. 3



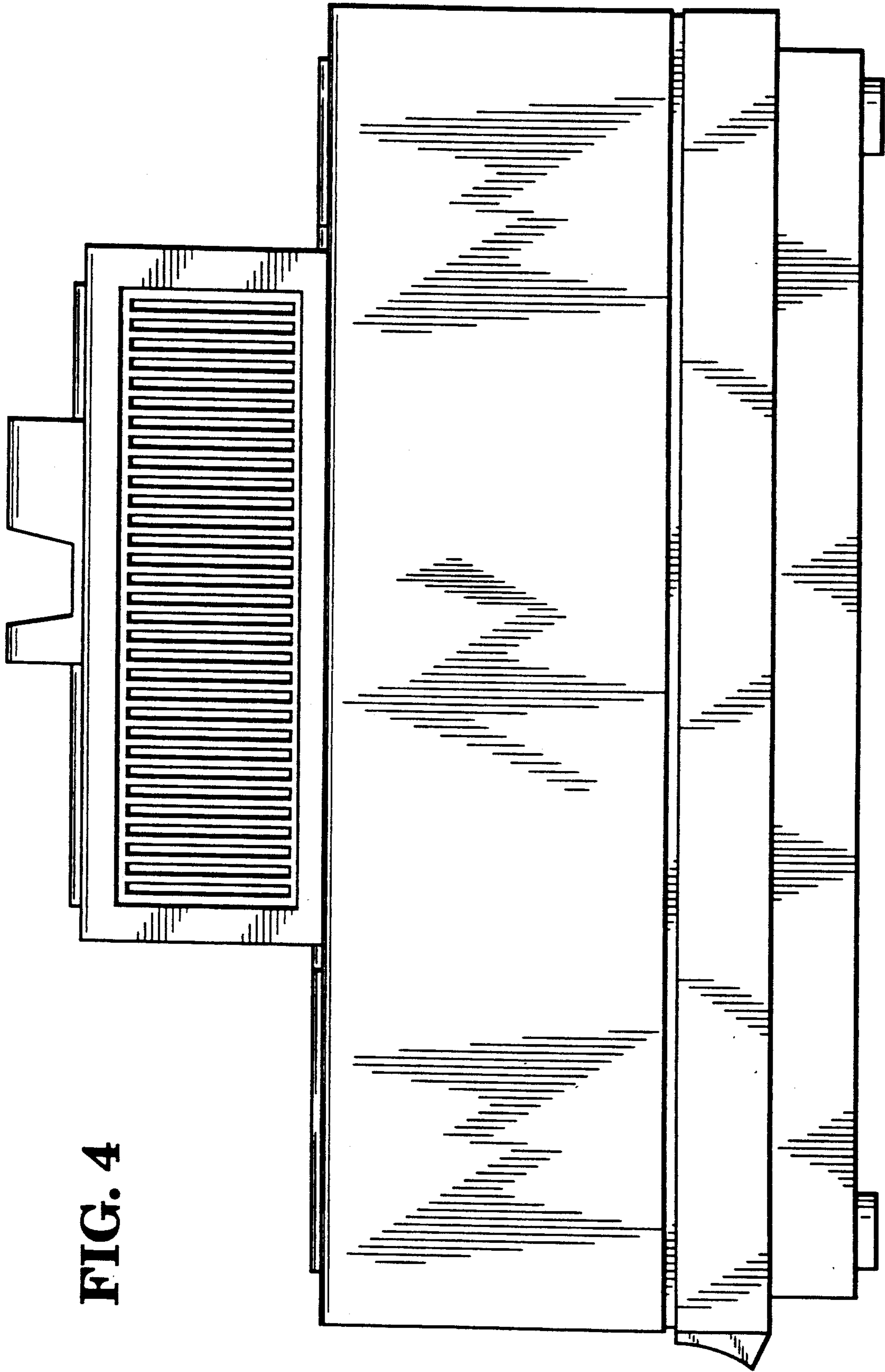


FIG. 4

FIG. 5

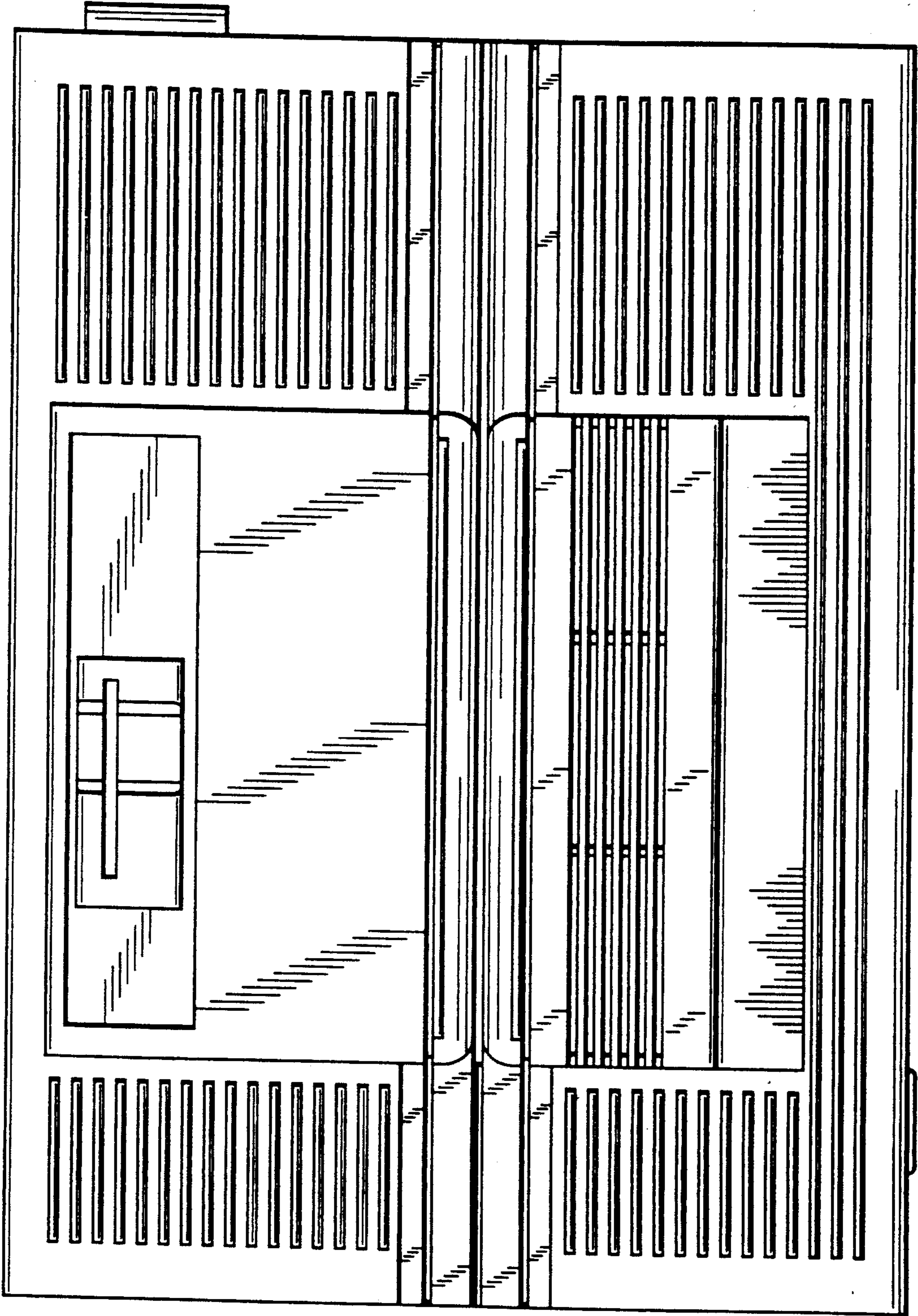


FIG. 6

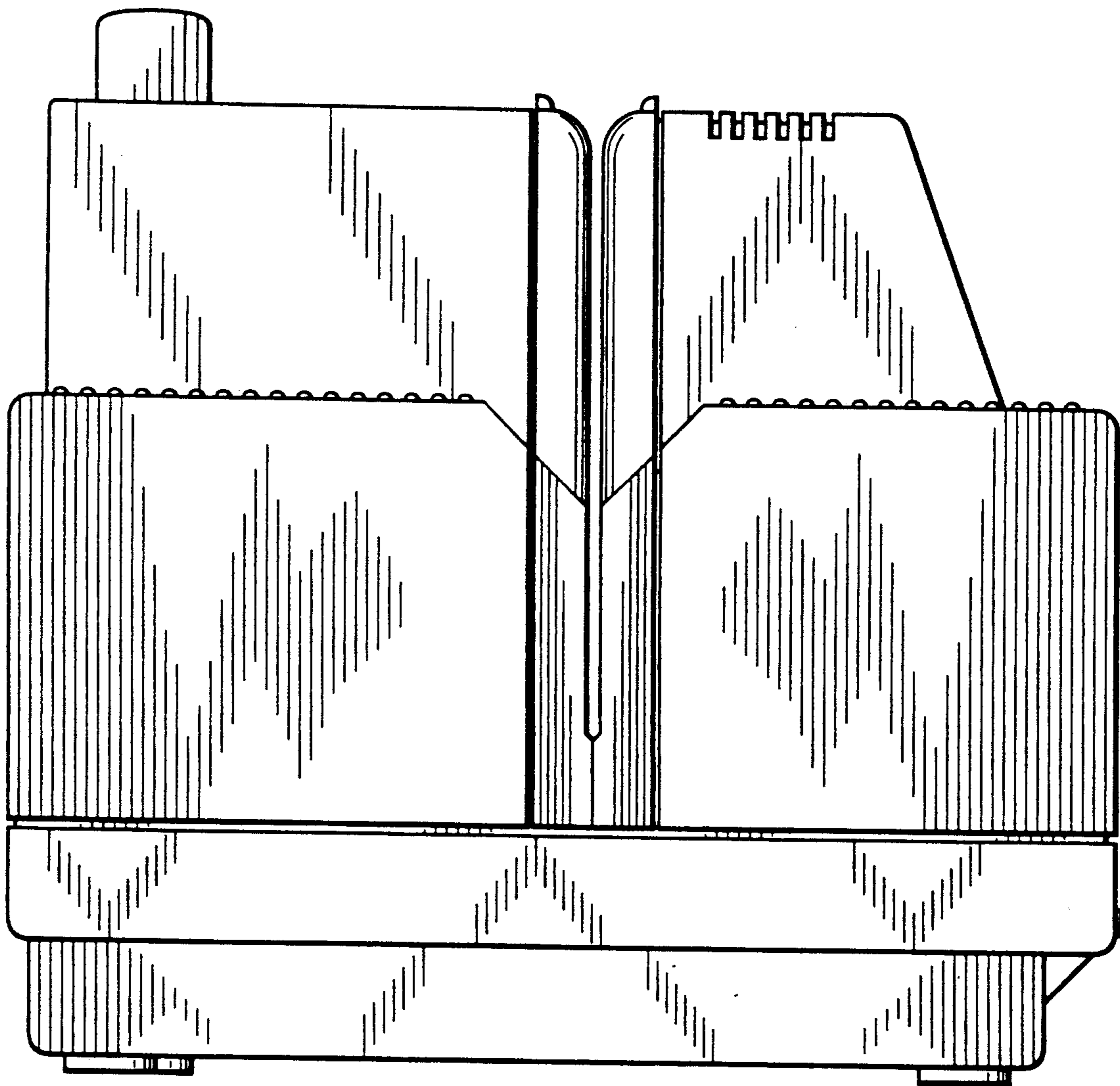


FIG. 7

