



US00D343389S

United States Patent [19]

[11] Patent Number: **Des. 343,389**

Yoshida et al.

[45] Date of Patent: **** Jan. 18, 1994**

[54] DISK DRIVE

[56]

References Cited

U.S. PATENT DOCUMENTS

[75] Inventors: **Kobun Yoshida, Sayama; Kazuhiko Suzuki, Tokorozawa; Yoshiaki Sakai, Higashikurume, all of Japan**

- D. 264,842 6/1982 Daniels et al. D14/109
- D. 286,879 11/1986 Viskochil D14/109
- D. 287,726 1/1987 Itoh et al. D14/109
- D. 300,323 3/1989 Noda et al. D14/109

[73] Assignee: **Teac Corporation, Tokyo, Japan**

Primary Examiner—Wallace R. Burke
Assistant Examiner—Freda S. Nunn
Attorney, Agent, or Firm—Michael N. Meller

[**] Term: **14 Years**

[57] CLAIM

[21] Appl. No.: **795,650**

The ornamental design of a disk drive, as shown and described.

[22] Filed: **Nov. 20, 1991**

DESCRIPTION

[30] Foreign Application Priority Data

- May 22, 1991 [JP] Japan 3-14861
- [52] U.S. Cl. **D14/109**
- [58] Field of Search 360/99.12;
361/390-395; D14/100, 108, 109; D13/162,
184, 199

FIG. 1 is a top plan view of a disk drive showing our new design;
FIG. 2 is an inverted front elevational view thereof;
FIG. 3 is a left side view thereof;
FIG. 4 is a right side view thereof;
FIG. 5 is a rear elevational view thereof;
FIG. 6 is a bottom plan view thereof; and,
FIG. 7 is a reduced perspective view thereof.

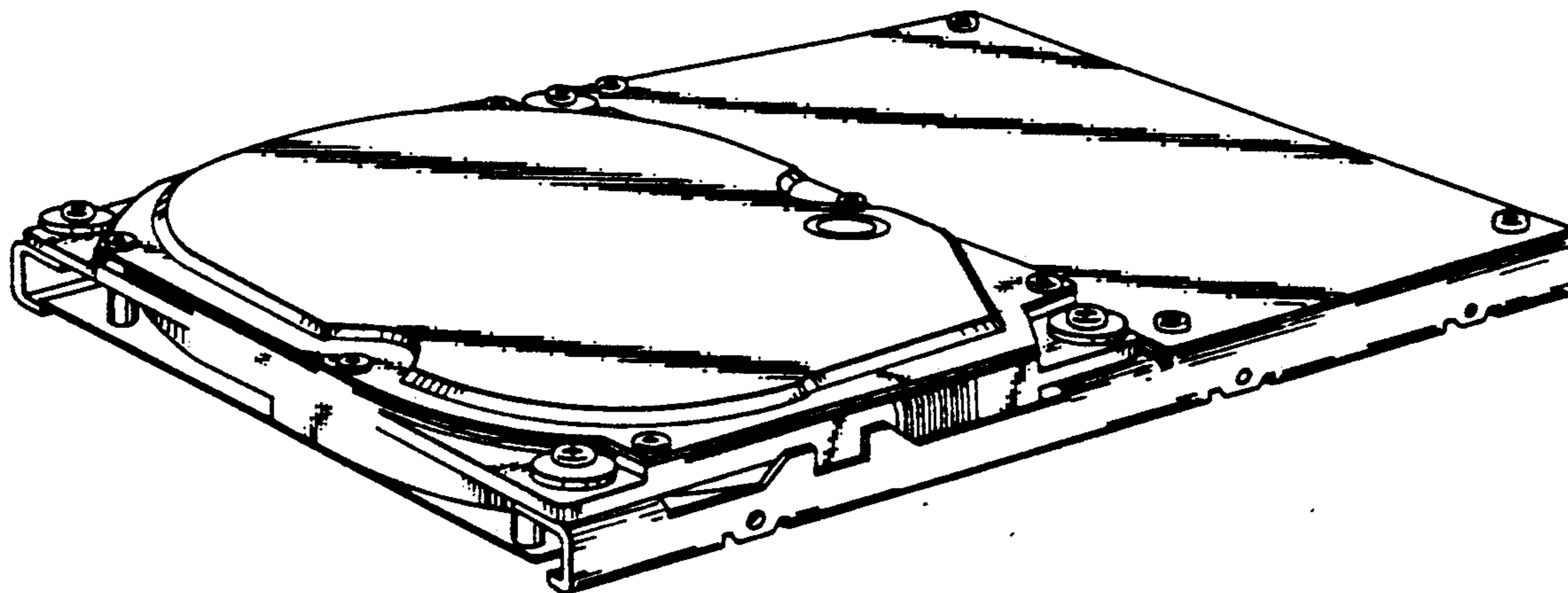


FIG.1

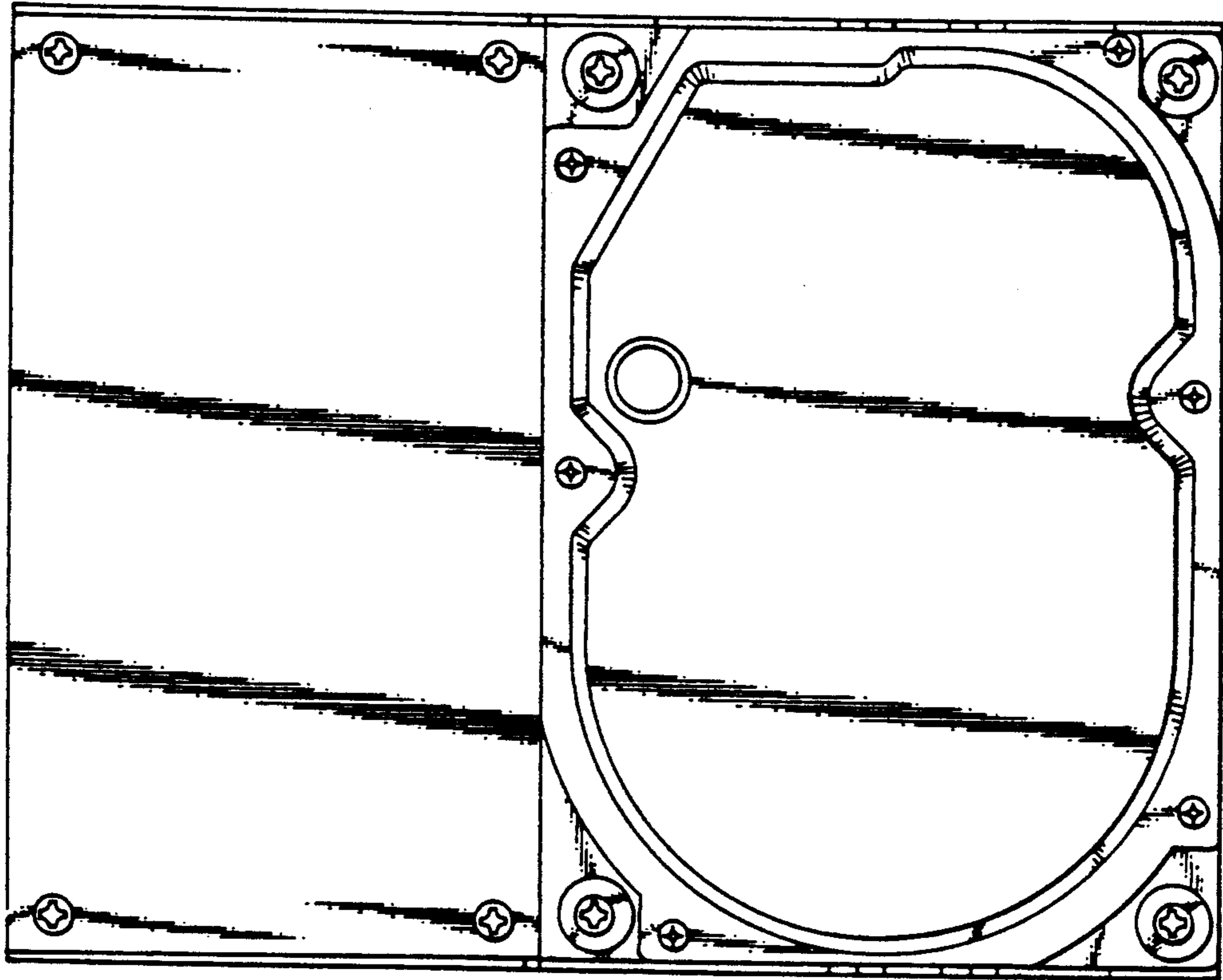


FIG.2

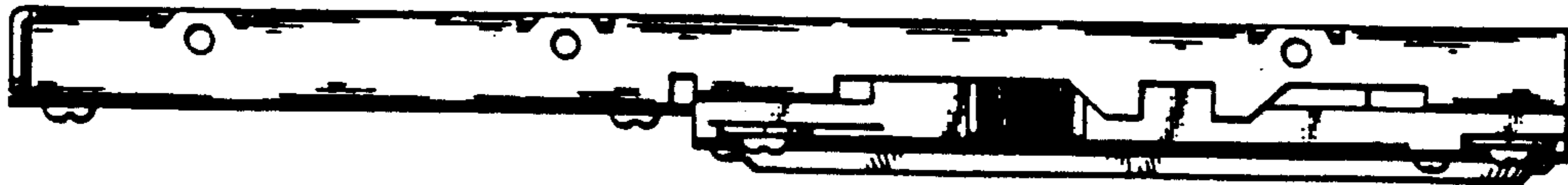


FIG.3



FIG.4



FIG.5

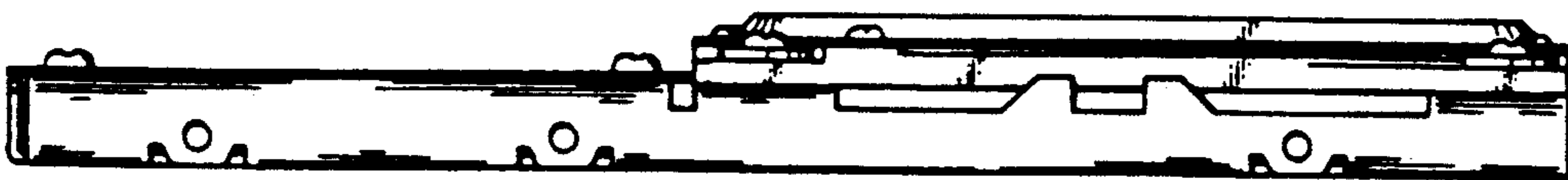


FIG. 6

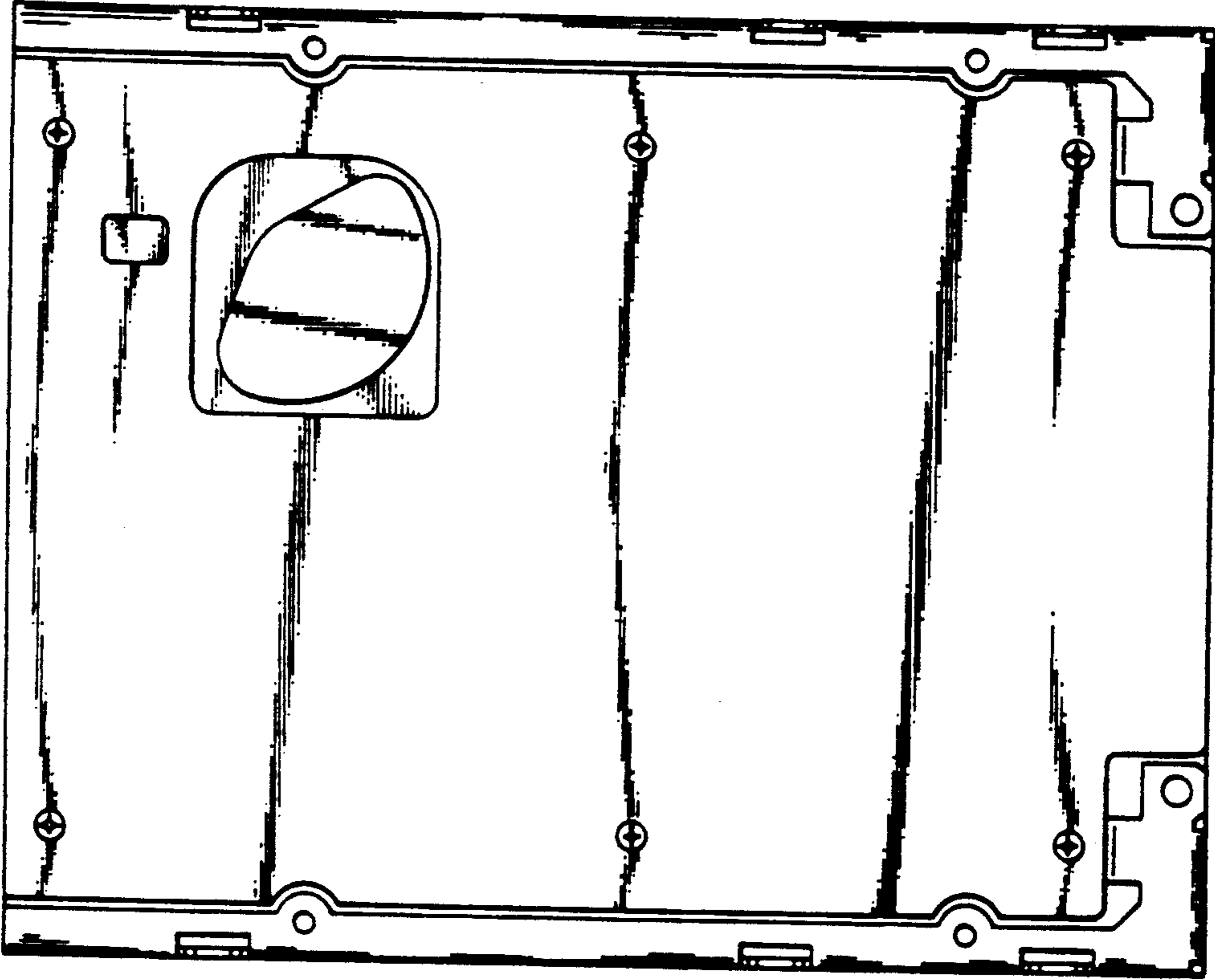


FIG.7

