



US00D343386S

# United States Patent [19] Mueller

[11] Patent Number: **Des. 343,386**  
[45] Date of Patent: **\*\* Jan. 18, 1994**

- [54] MOTION DETECTION WALL SWITCH
- [75] Inventor: **Dennis Mueller**, Orangevale, Calif.
- [73] Assignee: **The Watt Stopper**, Santa Clara, Calif.
- [\*\*] Term: **14 Years**
- [21] Appl. No.: **828,582**
- [22] Filed: **Jan. 28, 1992**
- [52] U.S. Cl. .... **D13/158**
- [58] Field of Search ..... 250/221, 342; 315/154,  
315/159; D13/158; D10/106

Motion detector switches on p. 48 of *Electrical Construction & Maintenance* Dec. 1989.  
Advertisement "Brainy light switch", *The Wall Street Journal*, Friday, Dec. 13, 1991.

*Primary Examiner*—Wallace R. Burke  
*Assistant Examiner*—Joel Sincavage  
*Attorney, Agent, or Firm*—Townsend and Townsend  
Khourie and Crew

### [57] CLAIM

The ornamental design for a motion detection wall switch, as shown and described.

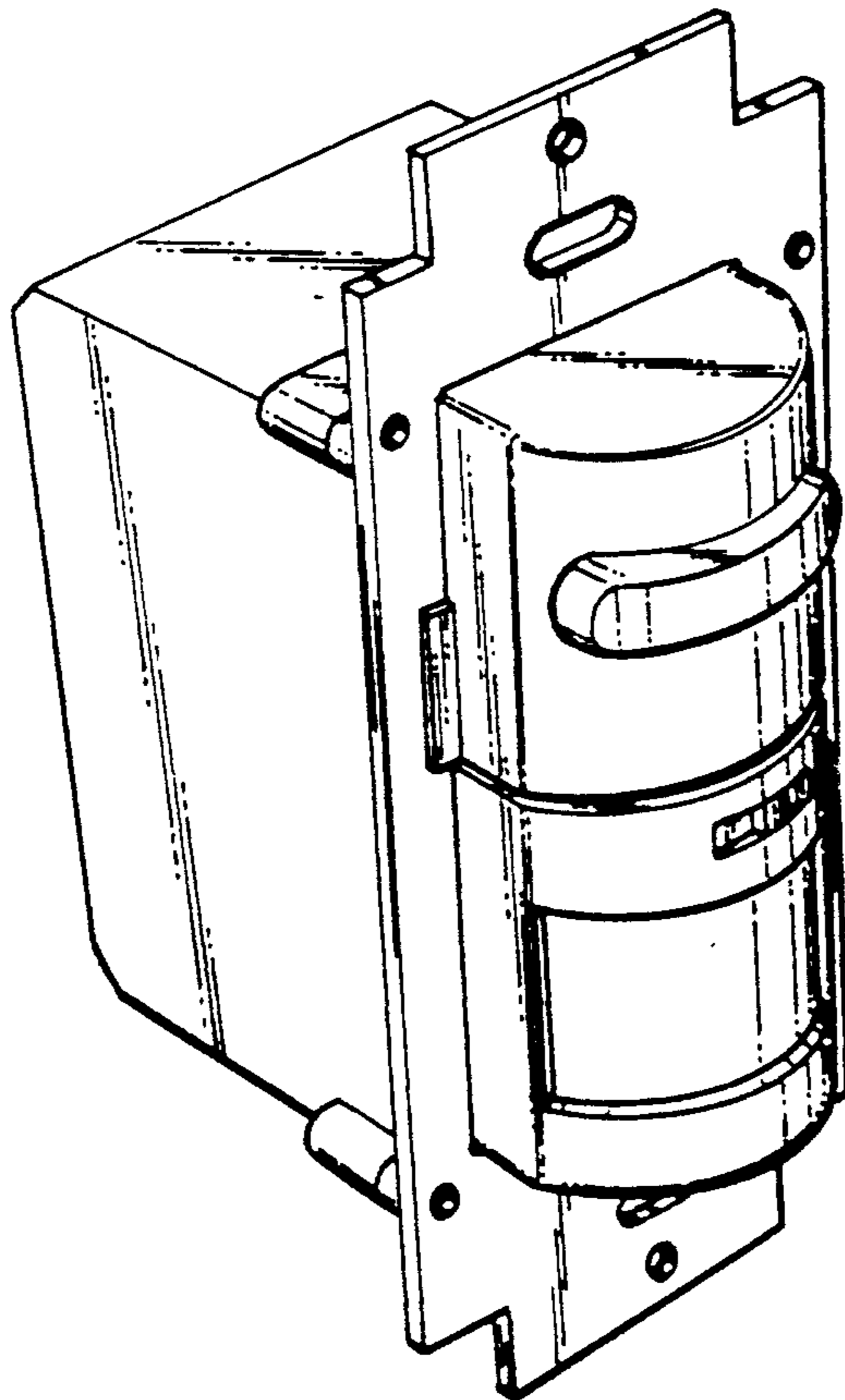
### DESCRIPTION

FIG. 1 is a front and upper right perspective view of a motion detection wall switch showing my new design; FIG. 2 is a top plan view of the wall switch of FIG. 1; FIG. 3 is a front plan view of the wall switch of FIG. 1; FIG. 4 is a left side plan view of the wall switch of FIG. 1; FIG. 5 is a right side plan view of the wall switch of FIG. 1; FIG. 6 is a back plan view of the wall switch of FIG. 1; and, FIG. 7 is a bottom plan view of the wall switch of FIG. 1.

- [56] **References Cited**
- U.S. PATENT DOCUMENTS**
- D. 196,586 10/1963 Reiner ..... D13/158
- D. 327,471 6/1992 Frick ..... D13/158
- 4,876,445 10/1989 McMaster ..... 250/221
- 4,973,801 11/1990 Frick et al. .... 250/221 X
- 5,015,994 5/1991 Hoberman et al. .... 250/221 X
- 5,128,654 7/1992 Griffin et al. .... D13/158 X

### OTHER PUBLICATIONS

Watt Watcher light switch on p. 84 of *Electrical Construction & Maintenance* Jan. 1990.



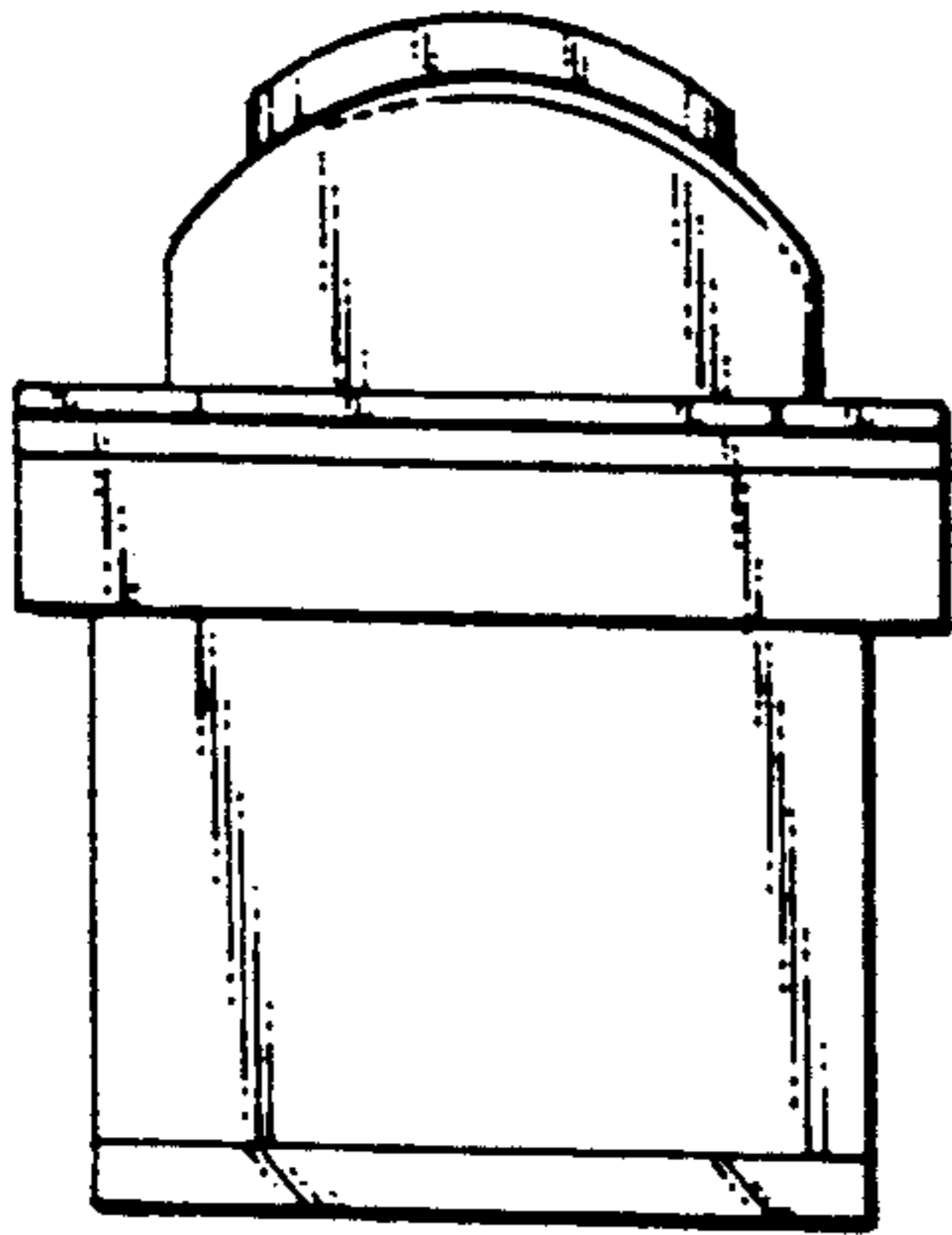


FIG. 7.

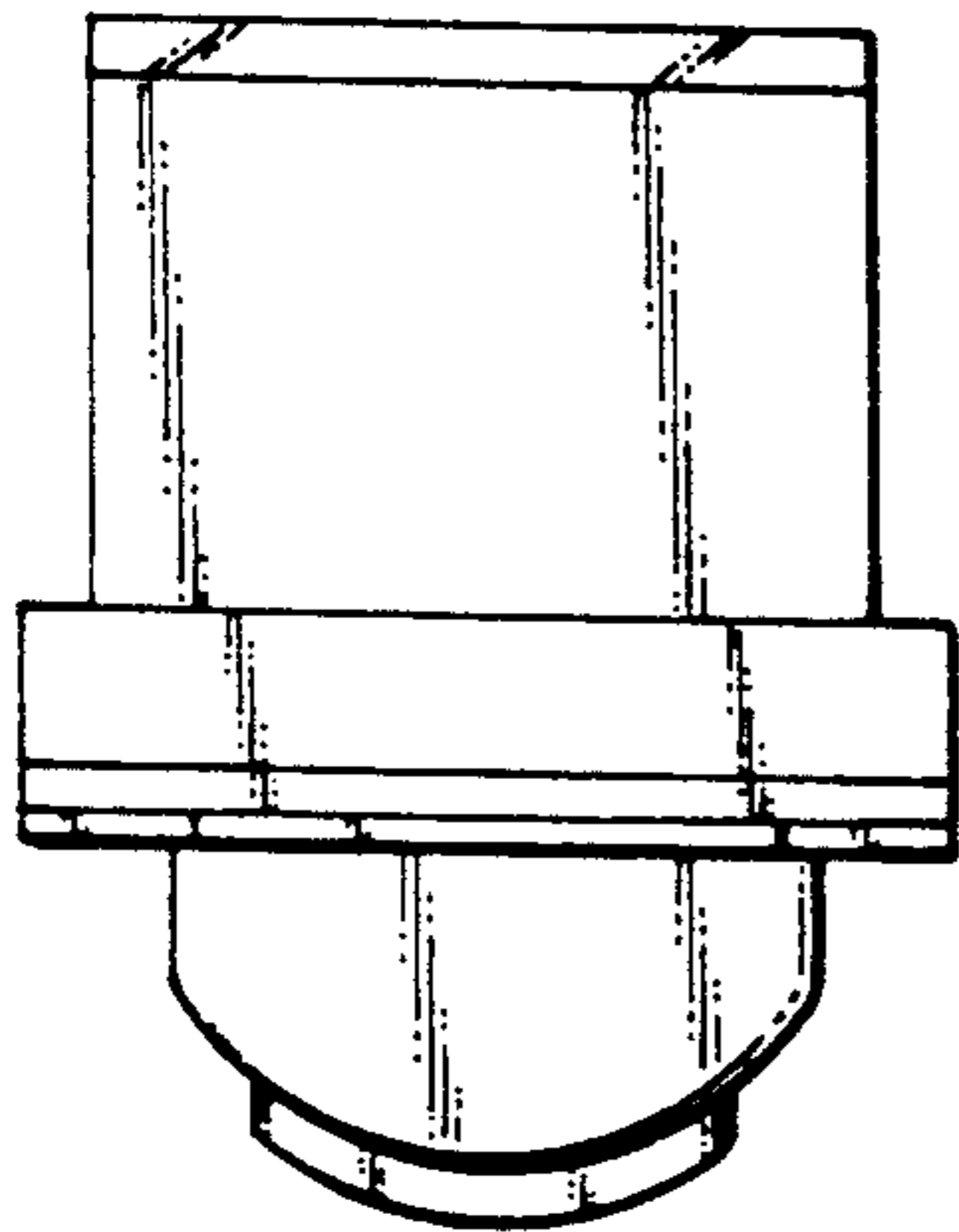


FIG. 2.

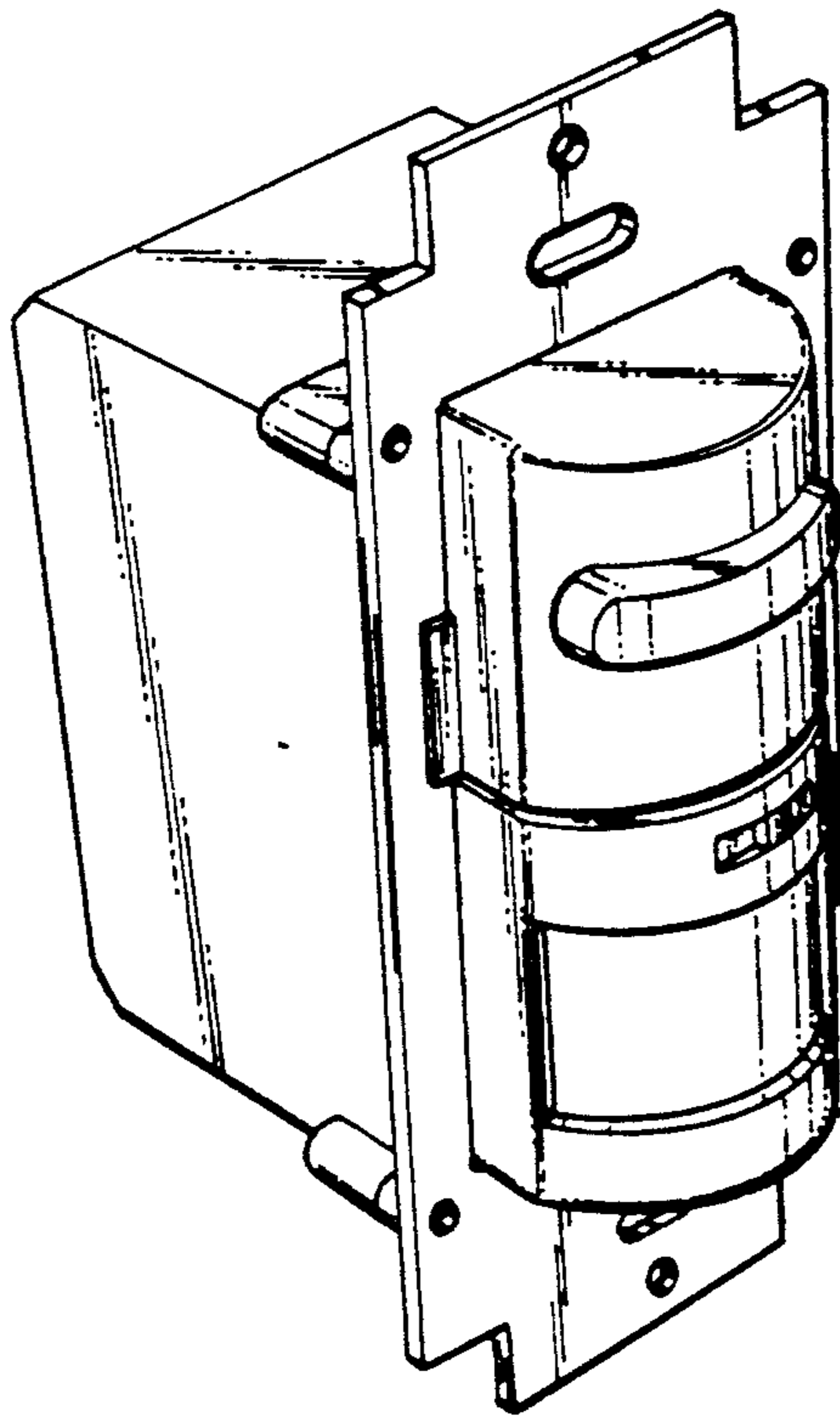


FIG. 1.

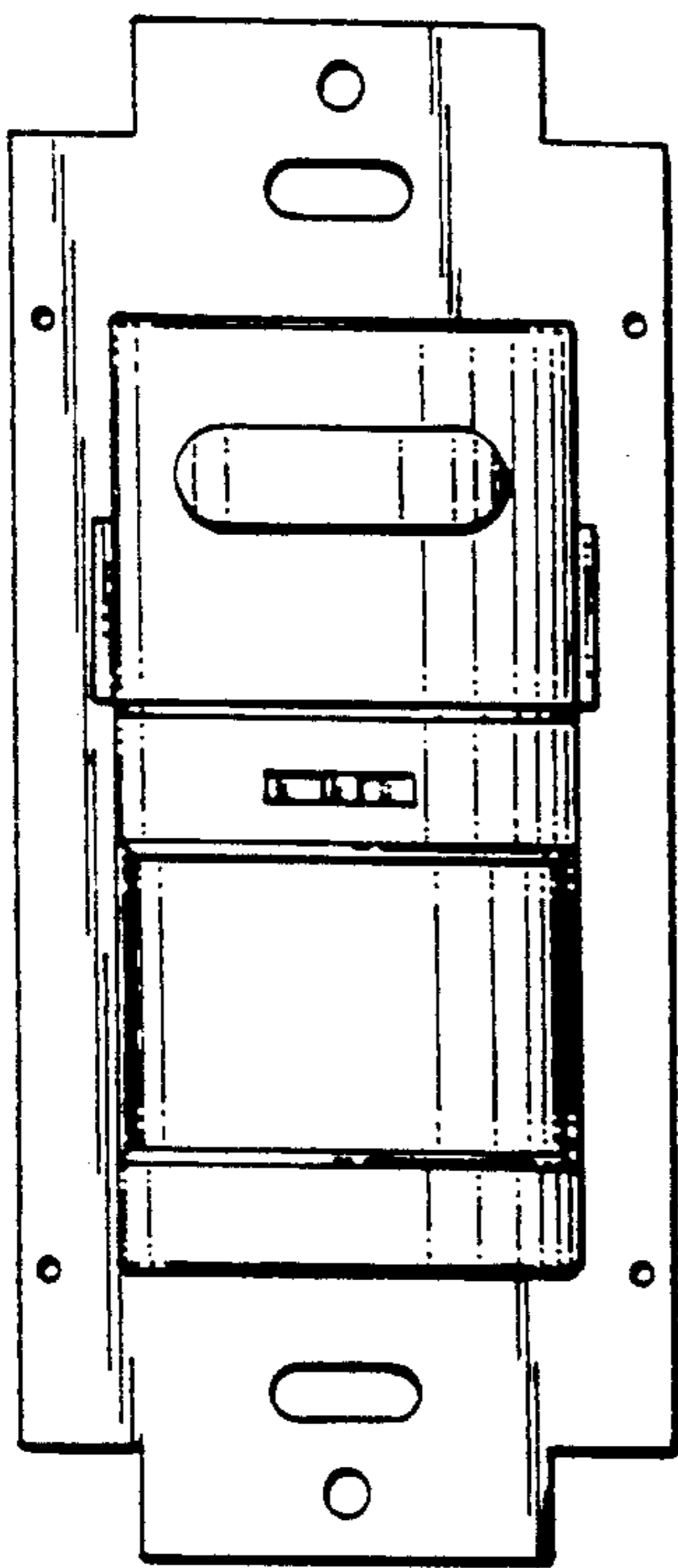


FIG. 3.

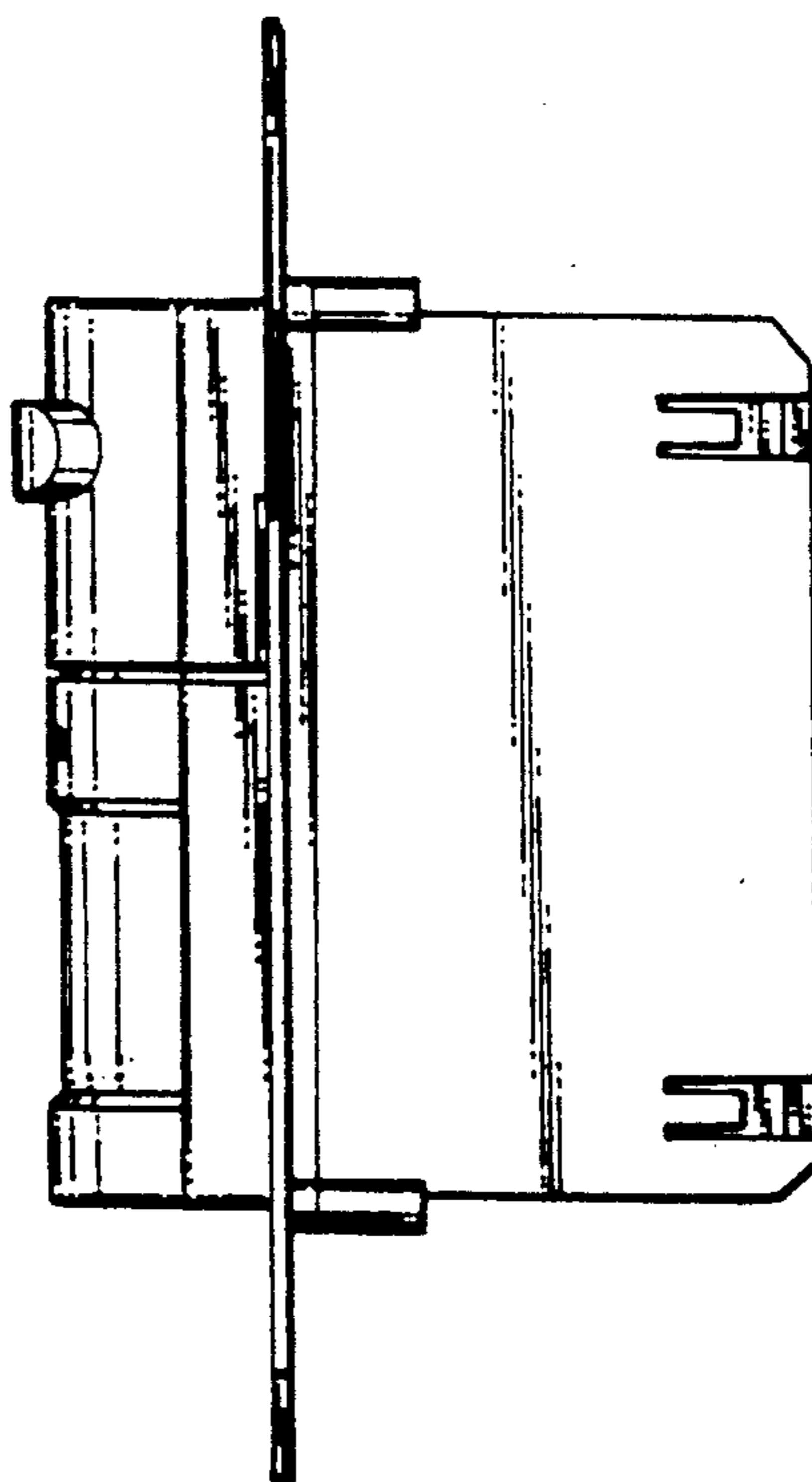


FIG. 4.

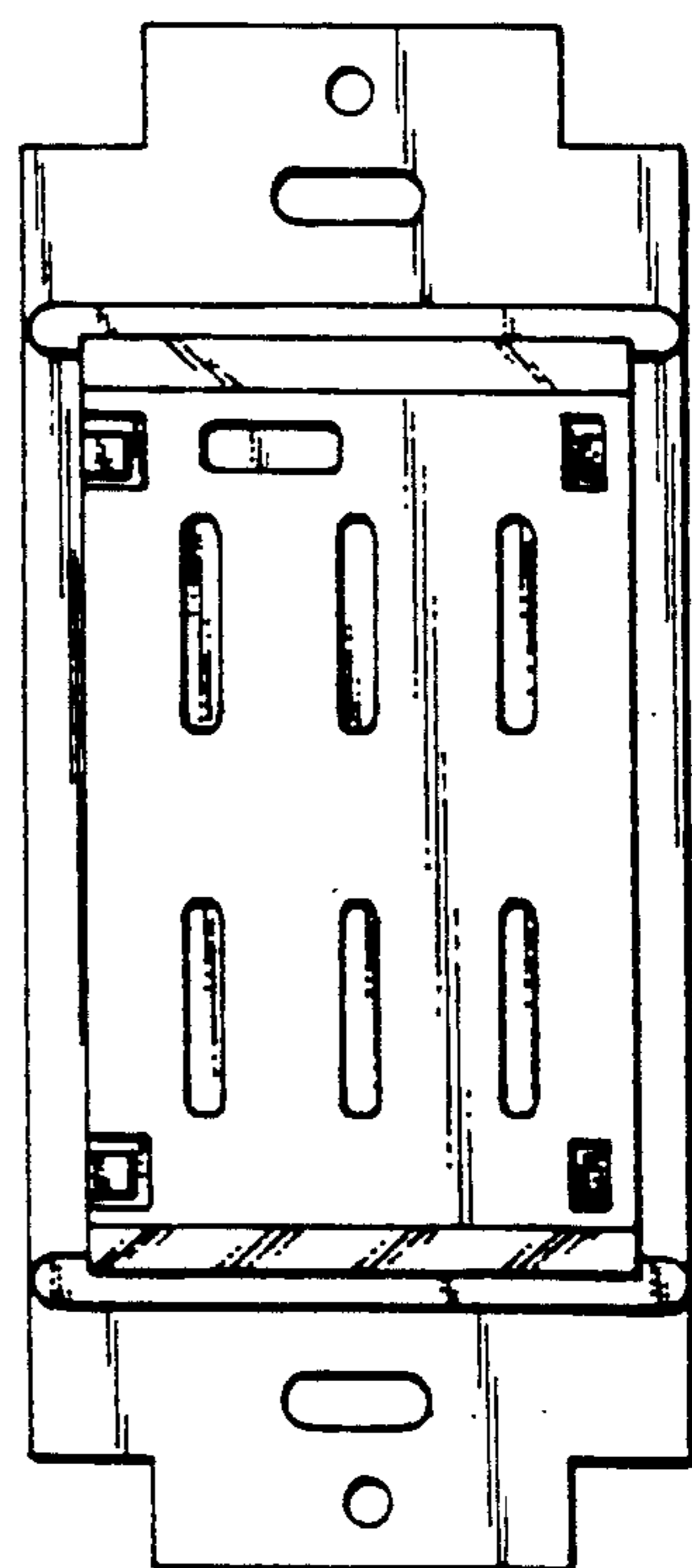
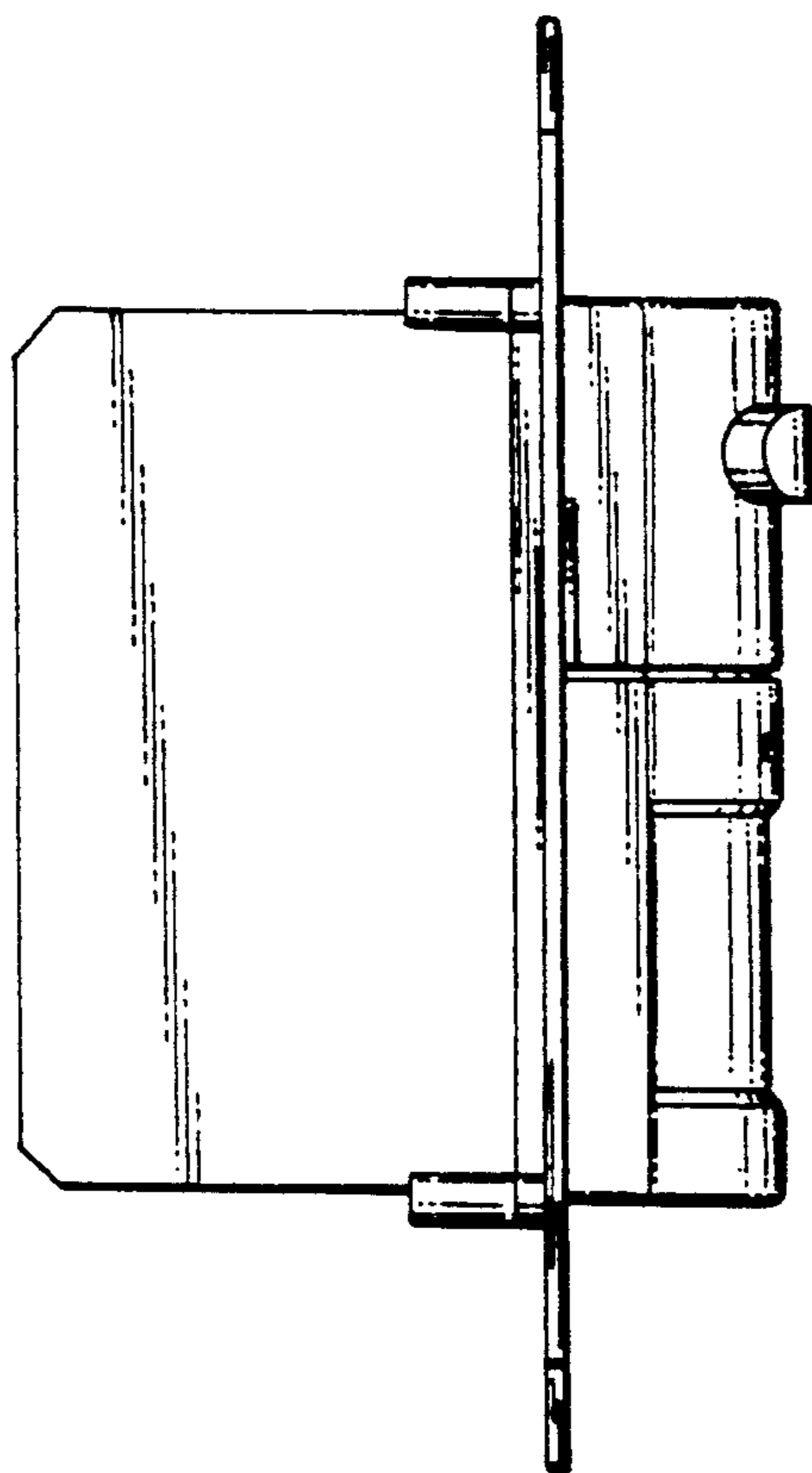


FIG. 6.



*FIG. 5.*