



US00D343384S

United States Patent [19]

Stone, Jr. et al.

[11] Patent Number: **Des. 343,384**

[45] Date of Patent: **** Jan. 18, 1994**

[54] **LAMP SOCKET ASSEMBLY**

[75] Inventors: **William E. Stone, Jr.,** Portsmouth;
David P. Adams, Lee, both of N.H.

[73] Assignee: **GTE Products Corporation,** Danvers,
Mass.

[**] Term: **14 Years**

[21] Appl. No.: **718,875**

[22] Filed: **Jun. 21, 1991**

[52] U.S. Cl. **D13/134; D26/24**

[58] Field of Search 439/617, 618, 682, 683,
439/686, 699; 362/226; D26/1, 3, 24, 138;
D13/134, 133

[56] **References Cited**

U.S. PATENT DOCUMENTS

- D. 222,748 12/1971 Strianese D26/24
- D. 316,311 4/1991 Freed D26/24
- 2,724,095 11/1955 Rudnee 439/683

- 4,329,736 5/1982 Nelle et al. D26/1 X
- 4,735,576 4/1988 Tanaka et al. 436/686 X

Primary Examiner—Susan J. Lucas
Attorney, Agent, or Firm—James Theodosopoulos;
Elizabeth A. Levy; Robert F. Clark

[57] **CLAIM**

The ornamental design for a lamp socket assembly, as shown and described.

DESCRIPTION

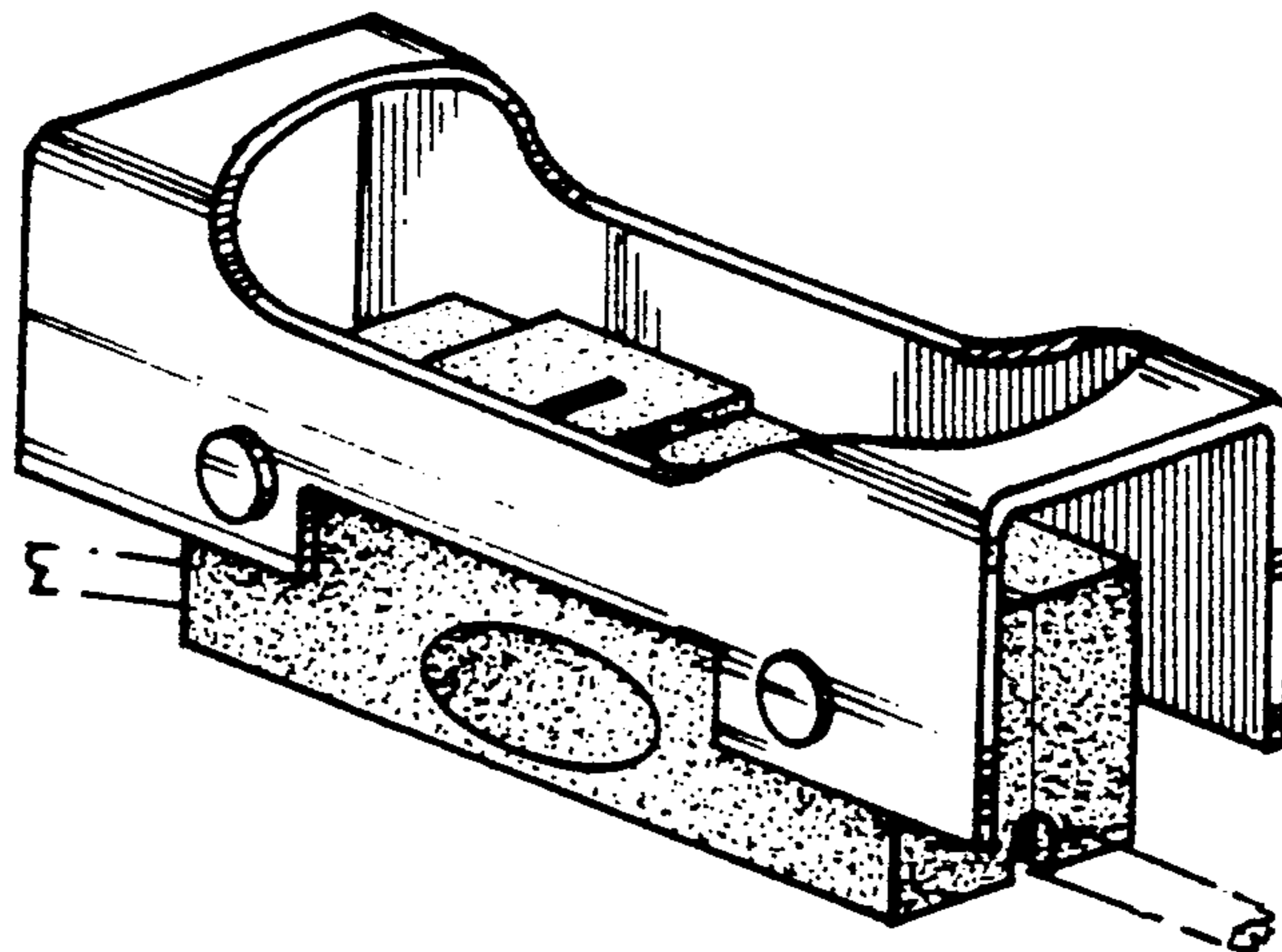
FIG. 1 is a perspective view of the lamp socket assembly showing our new design;

FIG. 2 is a front view thereof, the rear being identical;

FIG. 3 is an end view thereof, the opposite end being identical; and,

FIGS. 4 and 5 are top and bottom views, respectively, thereof.

The electric wire is shown in broken lines for illustrative purposes only and forms no part of the claimed design;



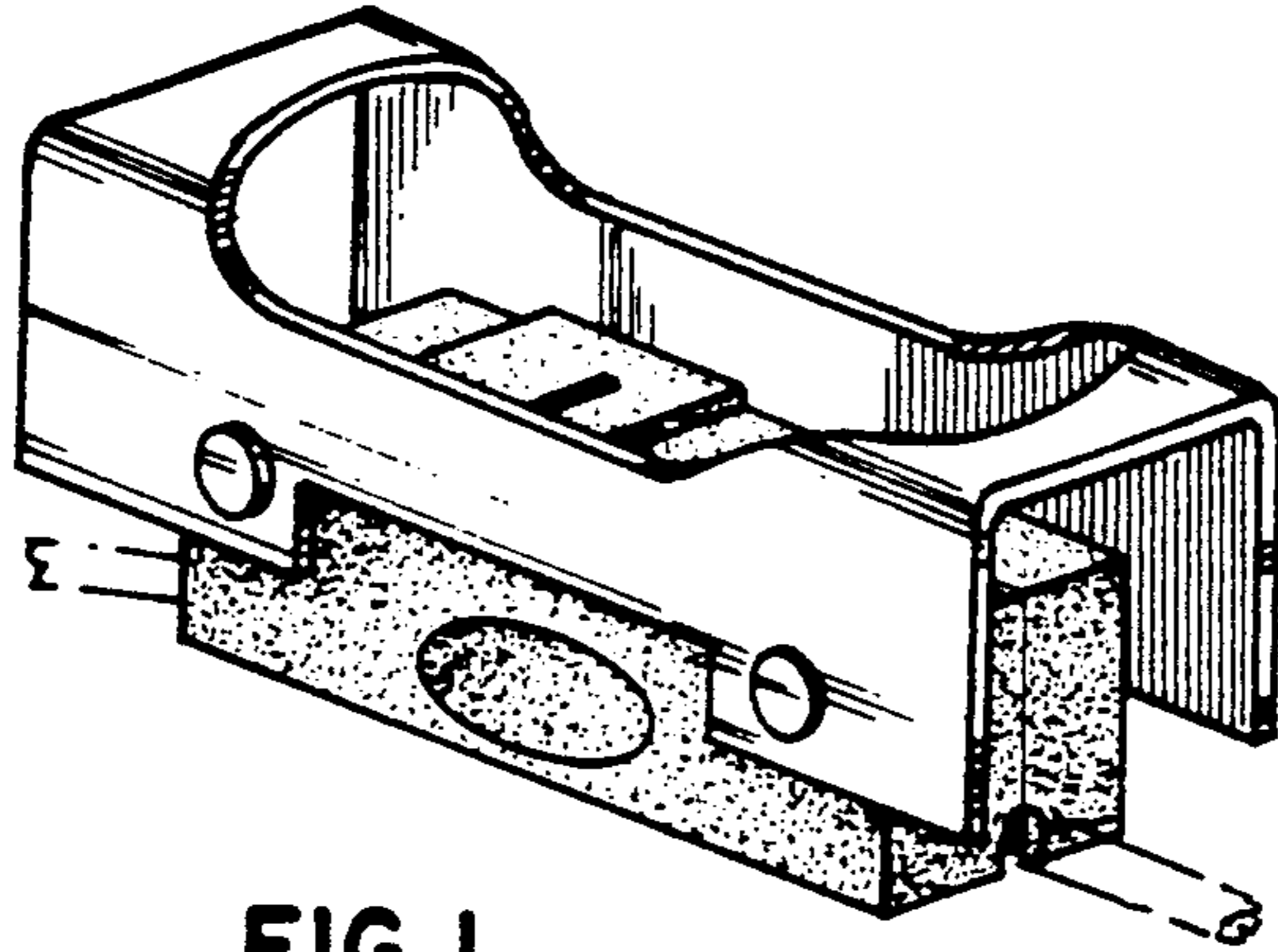


FIG. 1

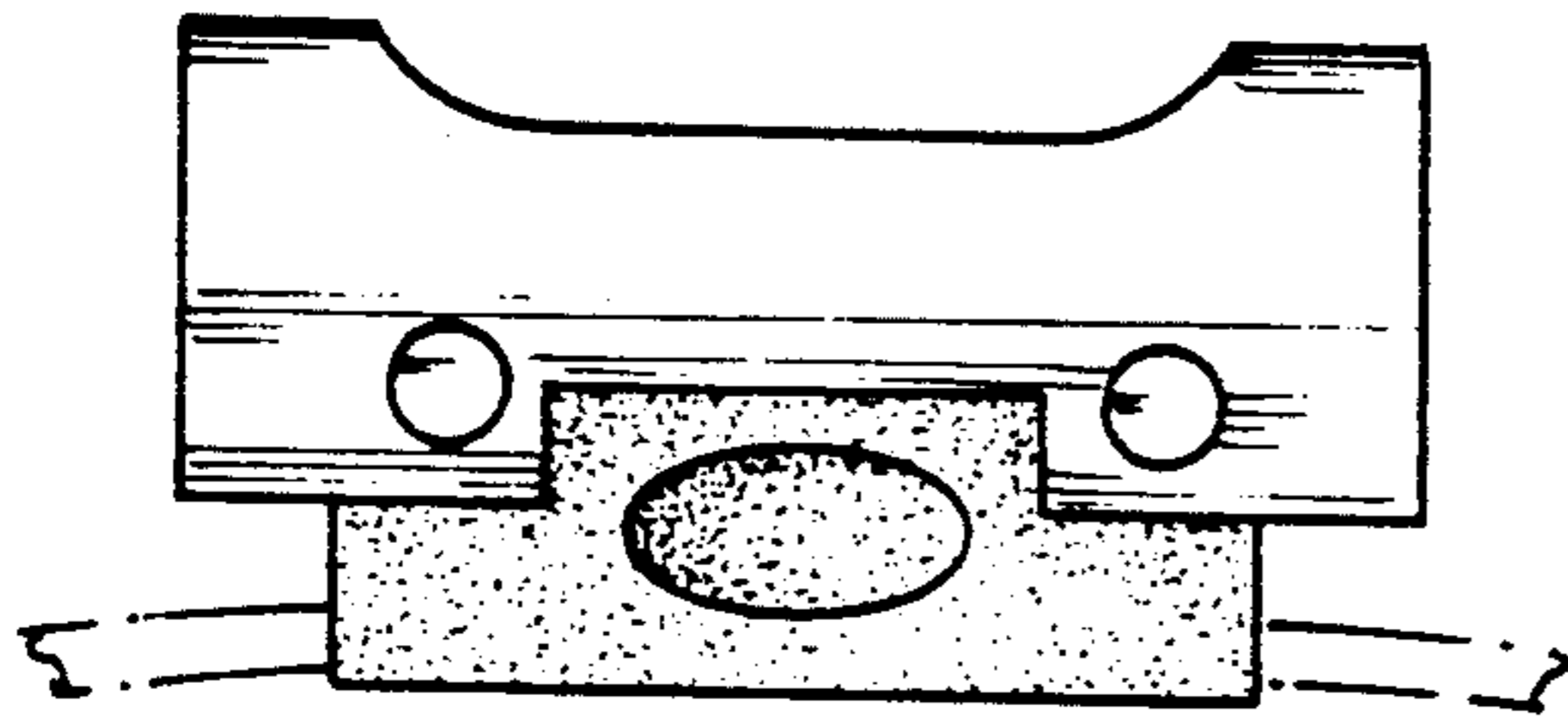


FIG. 2

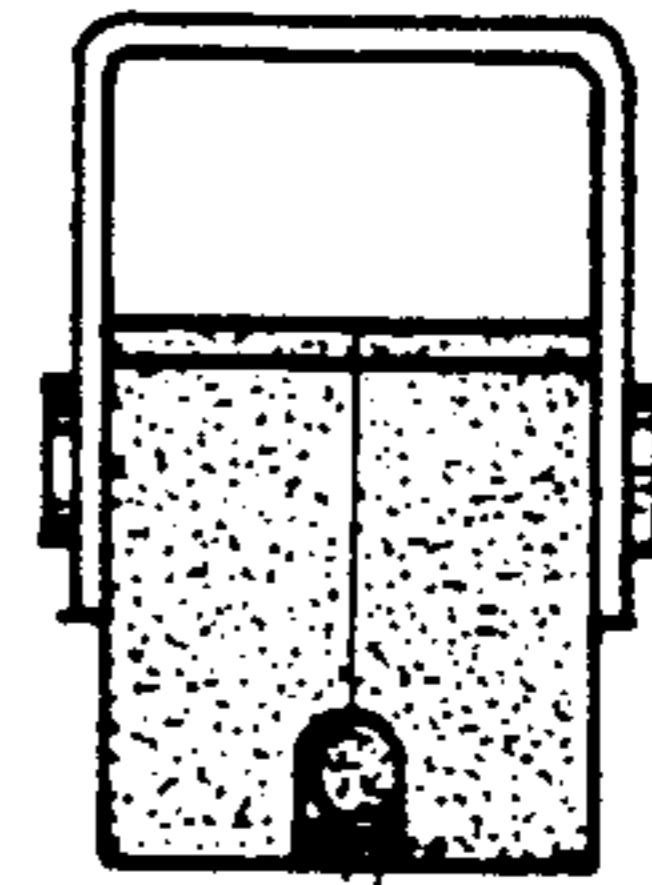


FIG. 3

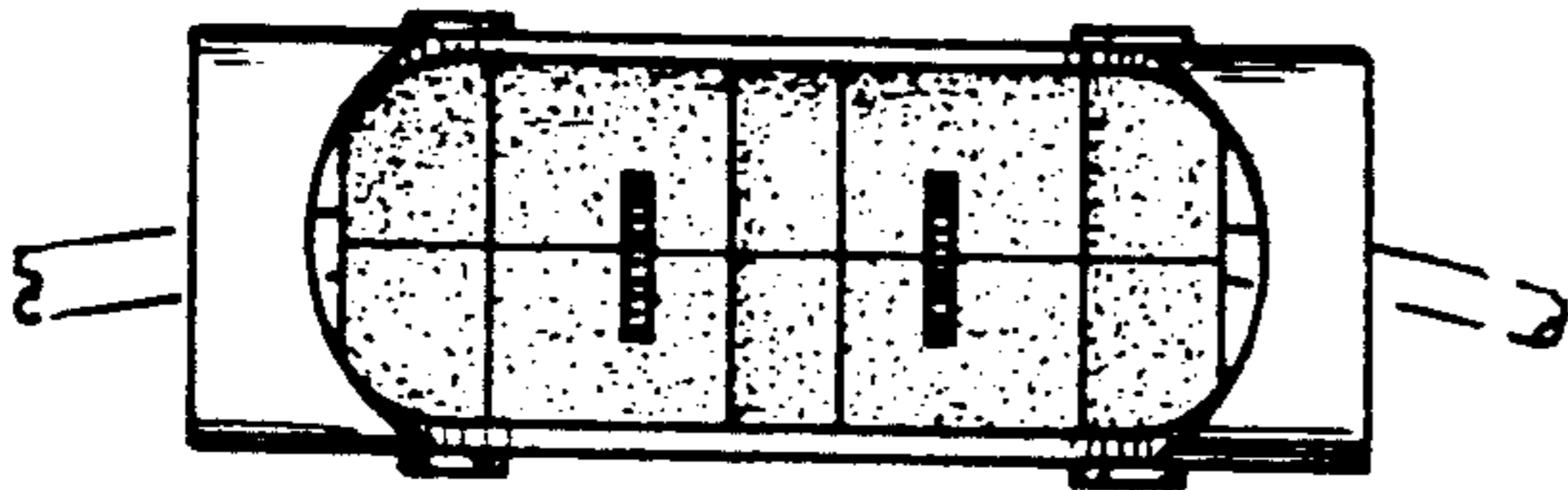


FIG. 4

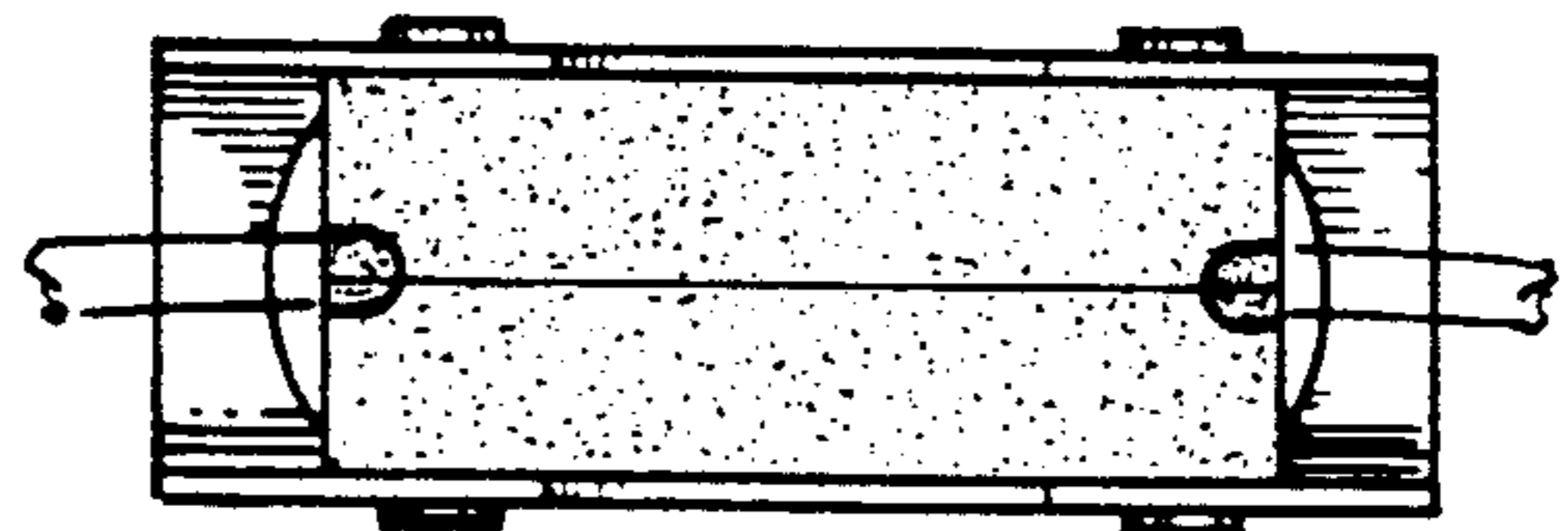


FIG. 5