



US00D343383S

United States Patent [19]

[11] Patent Number: **Des. 343,383**

Hall et al.

[45] Date of Patent: **** Jan. 18, 1994**

[54] **ANTENNA COUPLER FOR A PORTABLE GRID LOCATOR**

D. 312,617 12/1990 Makita et al. D13/154
D. 312,817 12/1990 Lazzeroni et al. D13/154
D. 327,690 7/1992 Ogawa et al. D14/230

[75] Inventors: **Jack P. Hall**, Palo Alto; **David J. Lima**, Los Altos; **John G. Tang**, San Carlos; **Kwok F. Lui**, San Francisco; **Modesto M. Bascos, Jr.**, San Jose, all of Calif.

Primary Examiner—Wallace R. Burke
Assistant Examiner—Joel Sincavage
Attorney, Agent, or Firm—Thomas E. Schatzel

[73] Assignee: **Trimble Navigation Limited**, Sunnyvale, Calif.

[57] **CLAIM**

The ornamental design for an antenna coupler for a portable grid locator, as shown and described.

[**] Term: **14 Years**

DESCRIPTION

[21] Appl. No.: **837,417**

FIG. 1 is a front and upper left perspective view of an antenna coupler for a portable grid locator showing our new design mounted on a portable grid locator. The broken line showing of the portable grid locator is included for the purpose of illustrating environmental elements only and forms no part of the claimed design; FIG. 2 is a front elevational view thereof; FIG. 3 is a left side elevational view thereof and a mirror image of a right side view; FIG. 4 is a rear elevational view thereof; FIG. 5 is a top plan view thereof; FIG. 6 is a bottom plan view thereof; and, FIG. 7 is a rear and lower perspective view thereof.

[22] Filed: **Feb. 12, 1992**

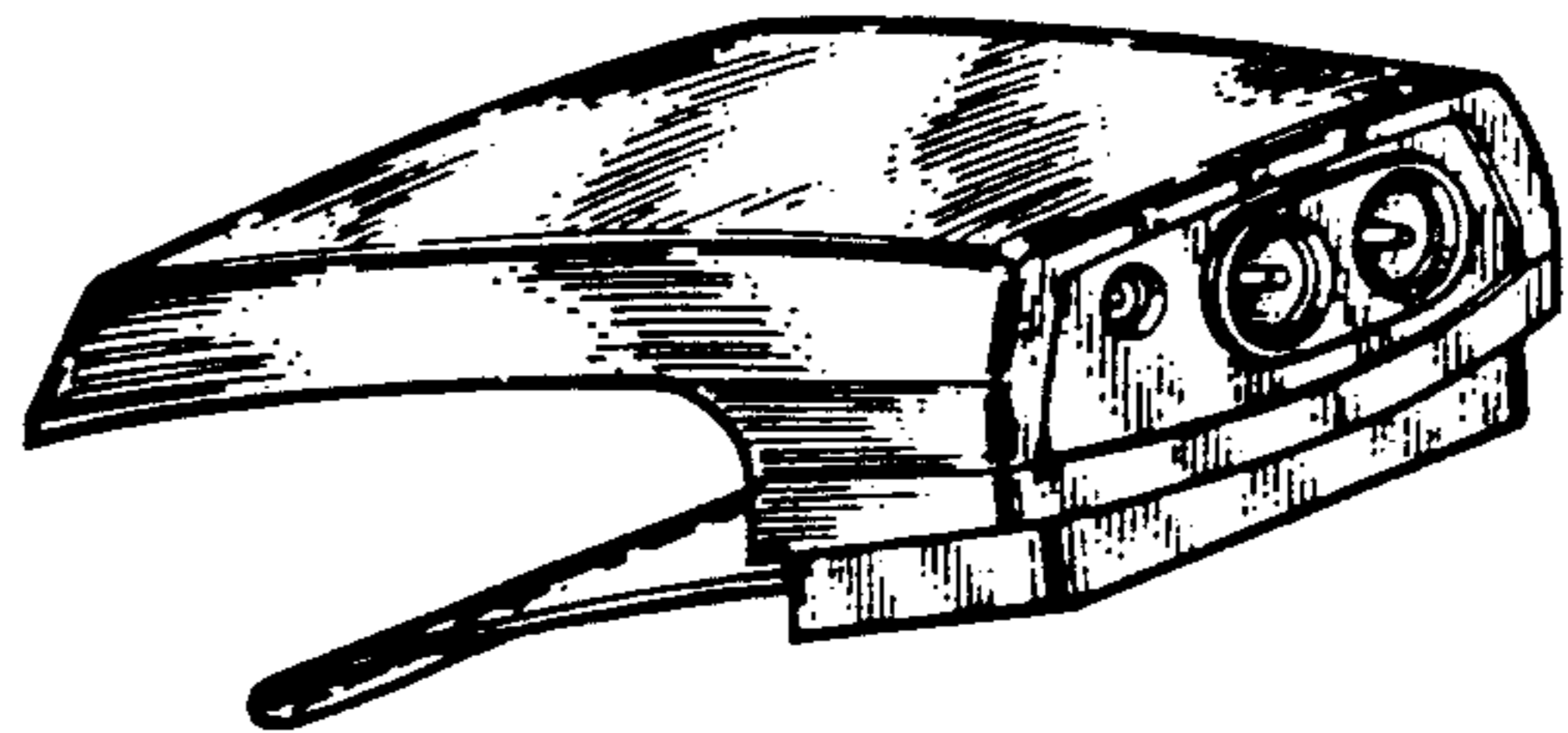
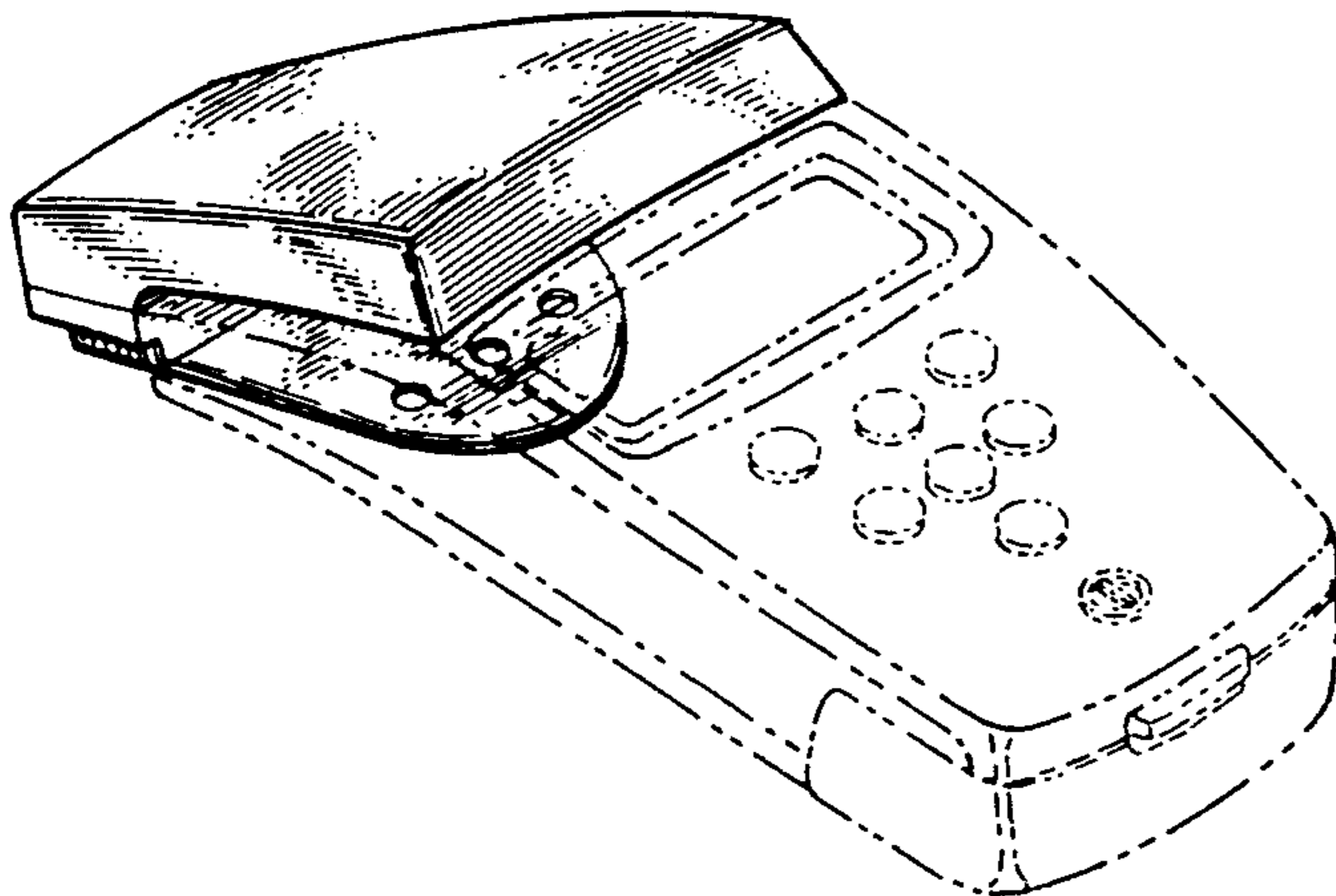
[52] U.S. Cl. **D13/133**

[58] Field of Search 439/529, 574, 577, 916; D13/133, 146, 154; D14/230, 238

[56] **References Cited**

U.S. PATENT DOCUMENTS

D. 229,832 1/1974 Finkel D14/230
D. 244,140 4/1977 Zinichev et al. D14/230
D. 291,532 8/1987 Hill D13/154 X



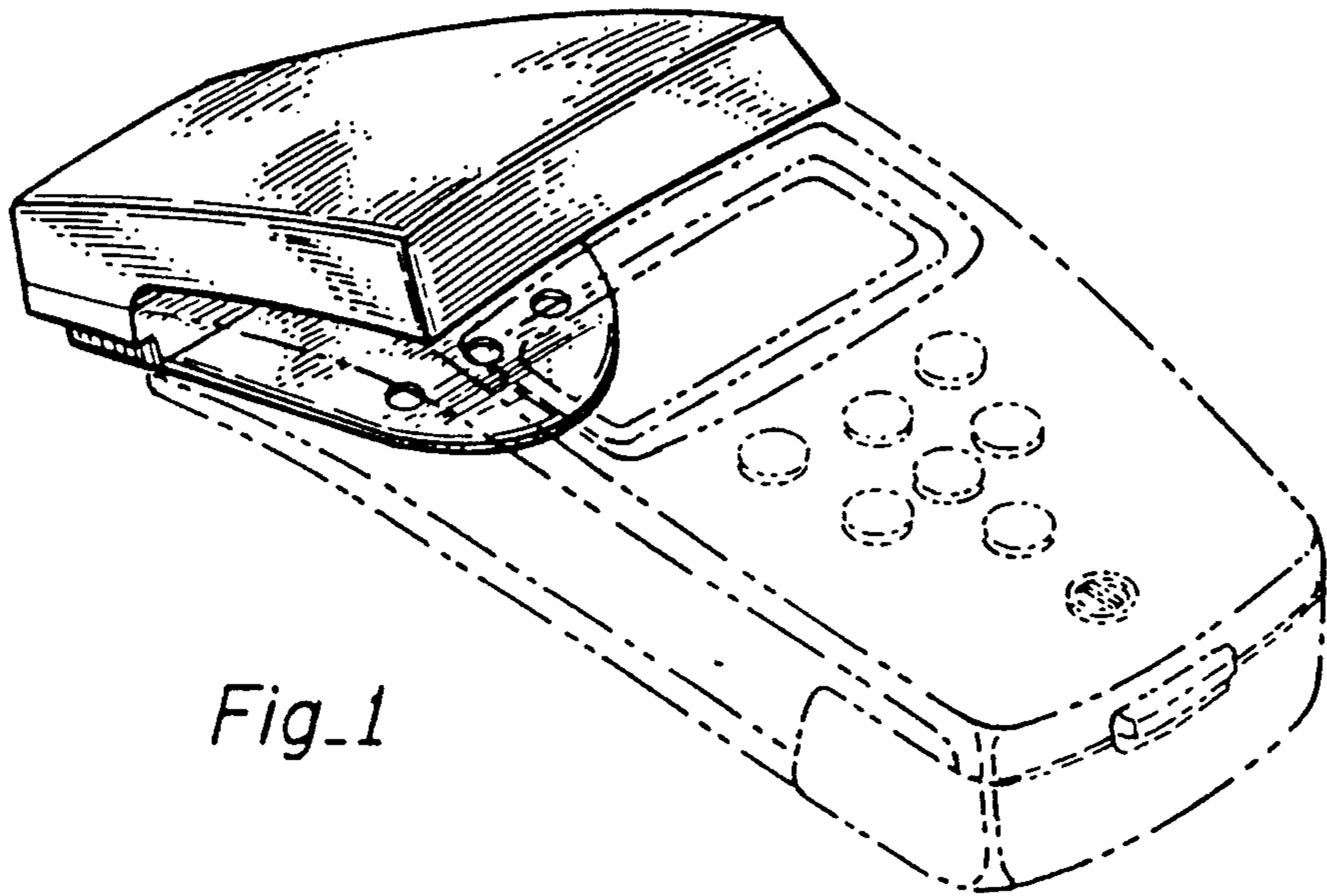


Fig. 1

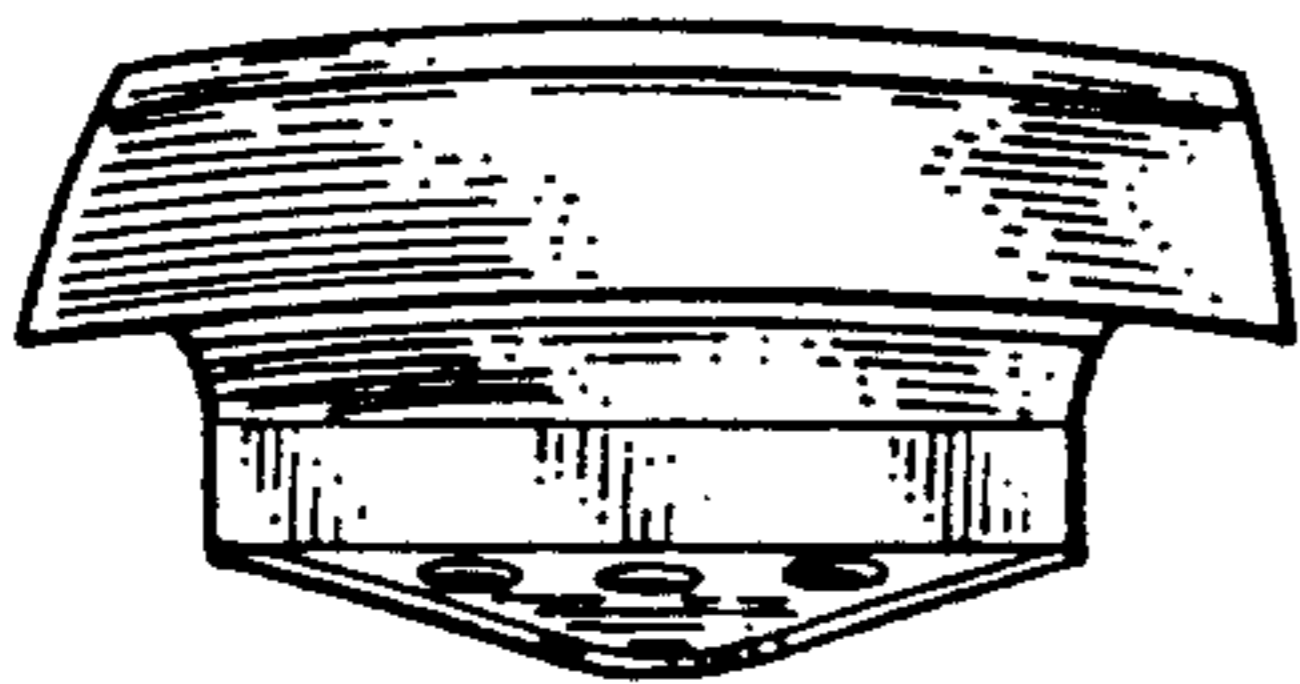


Fig. 2

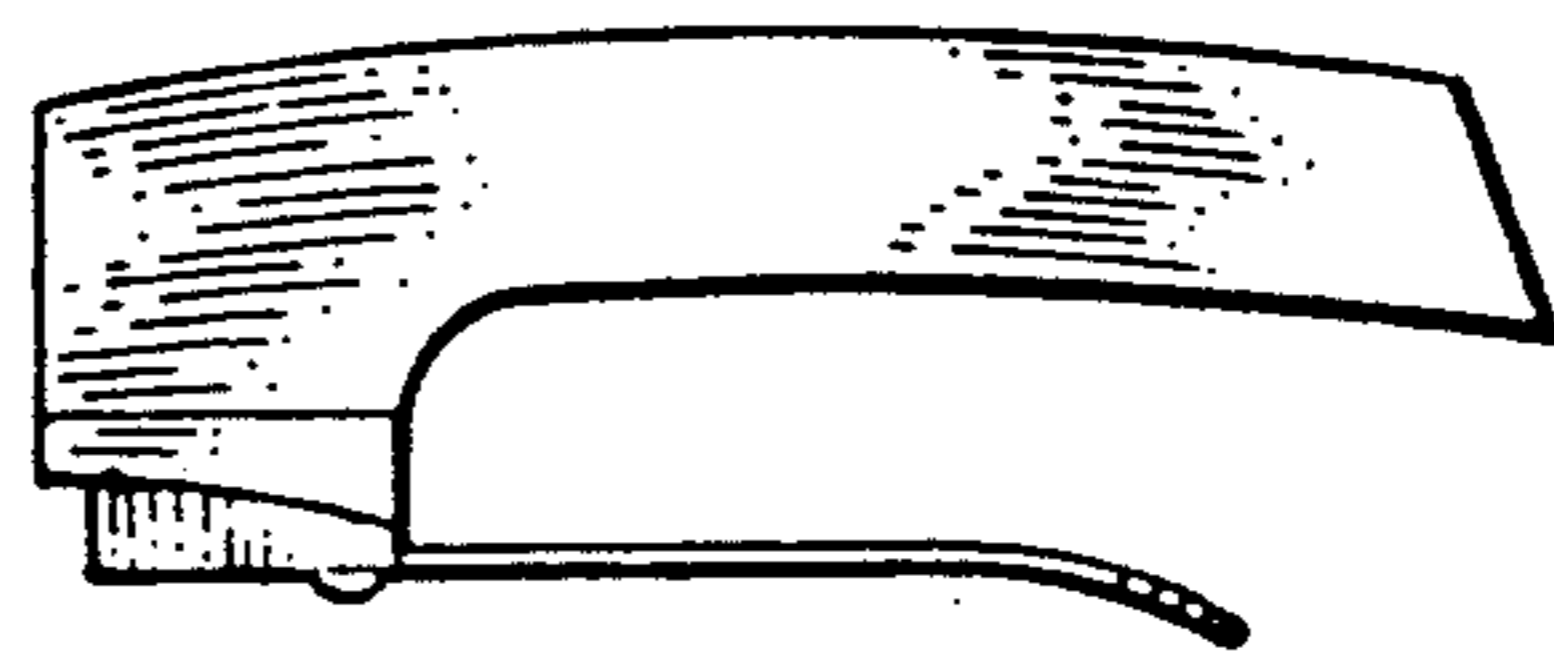


Fig. 3

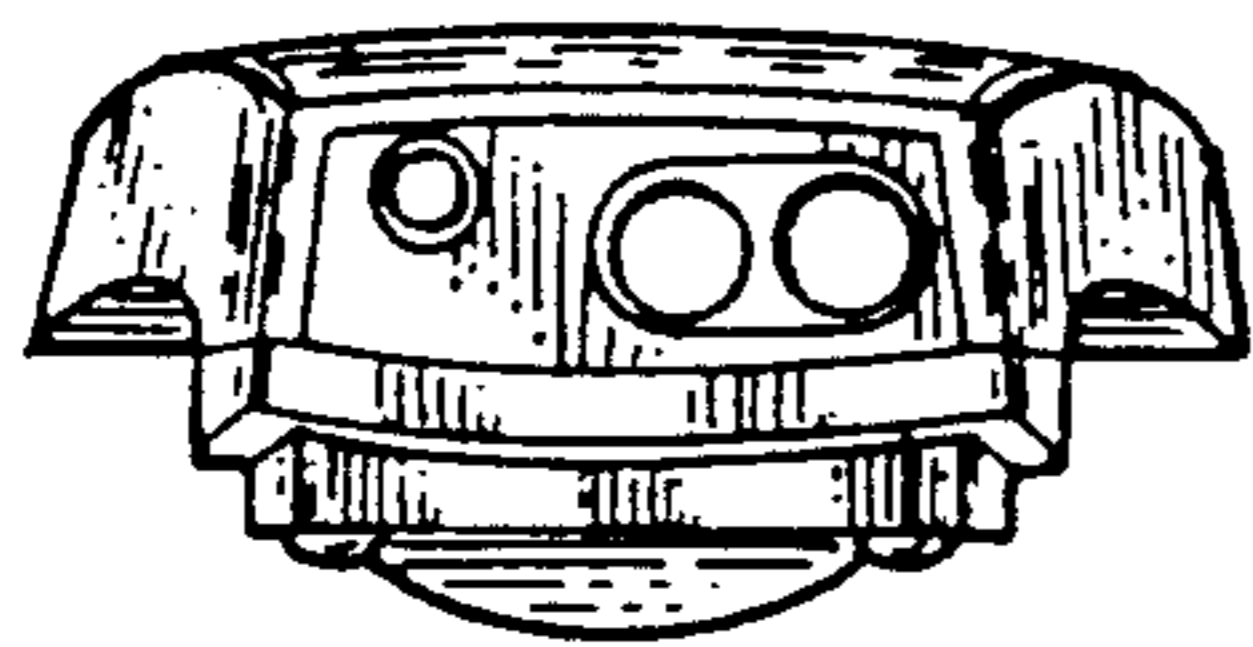


Fig. 4

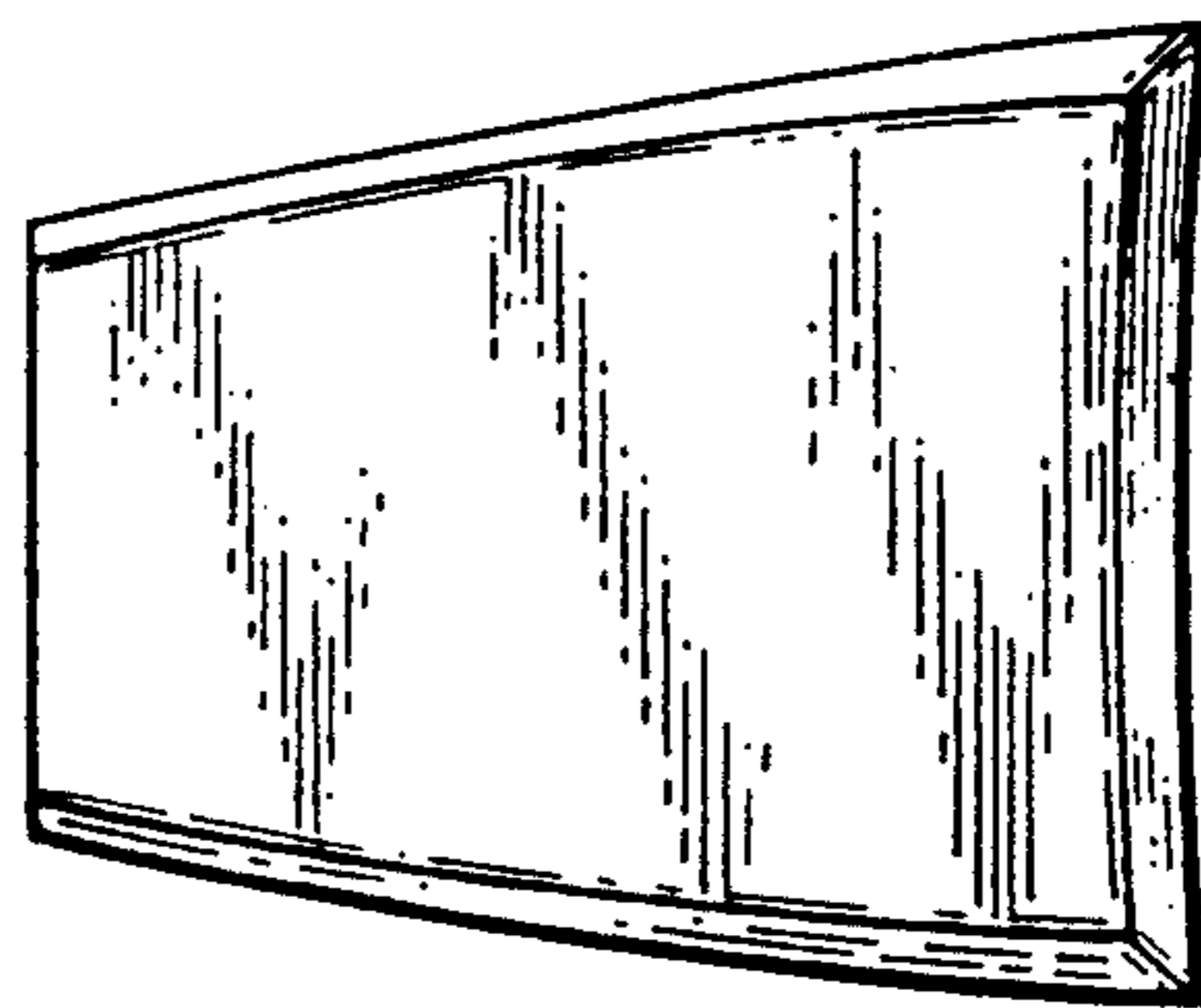


Fig. 5

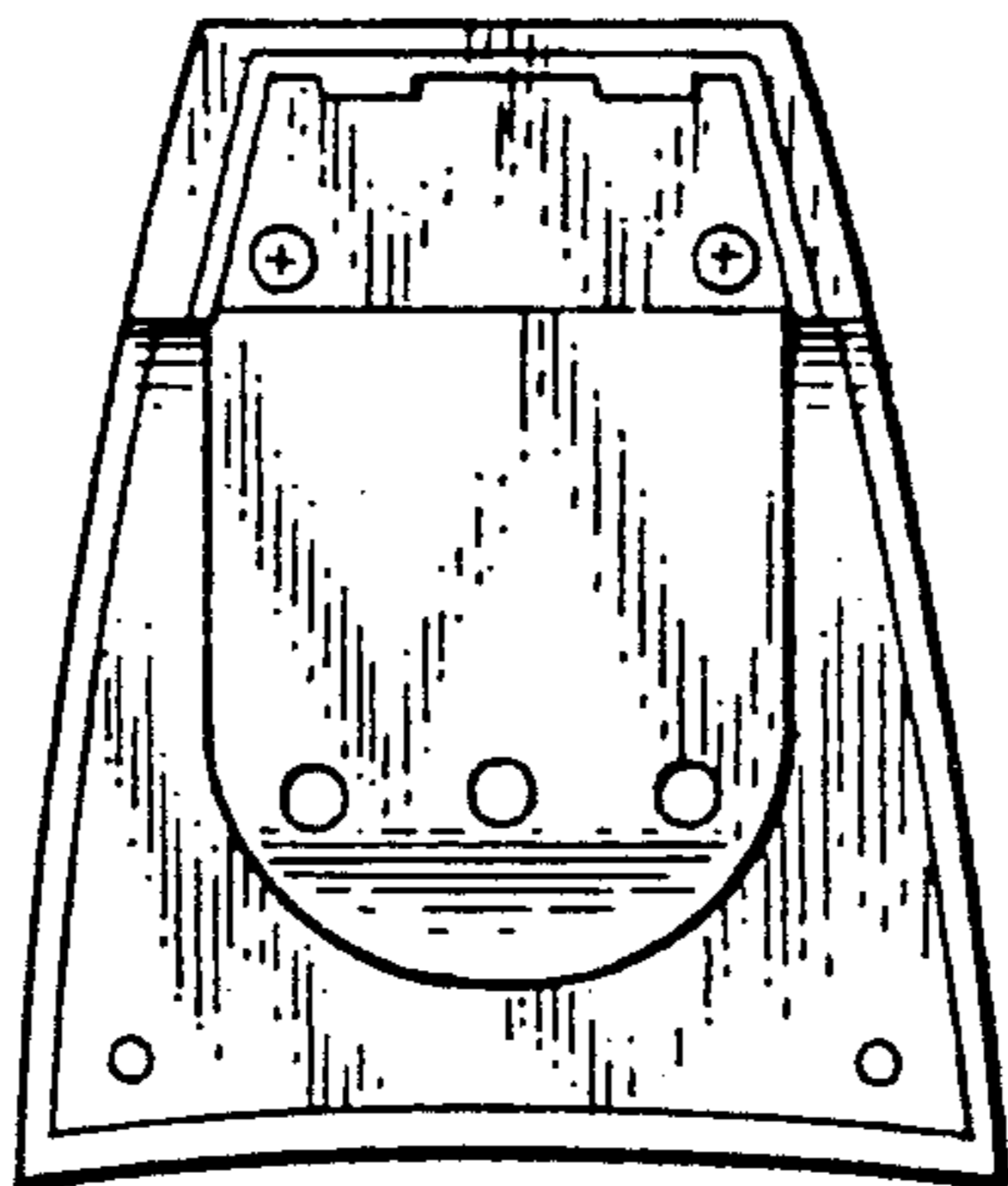


Fig. 6

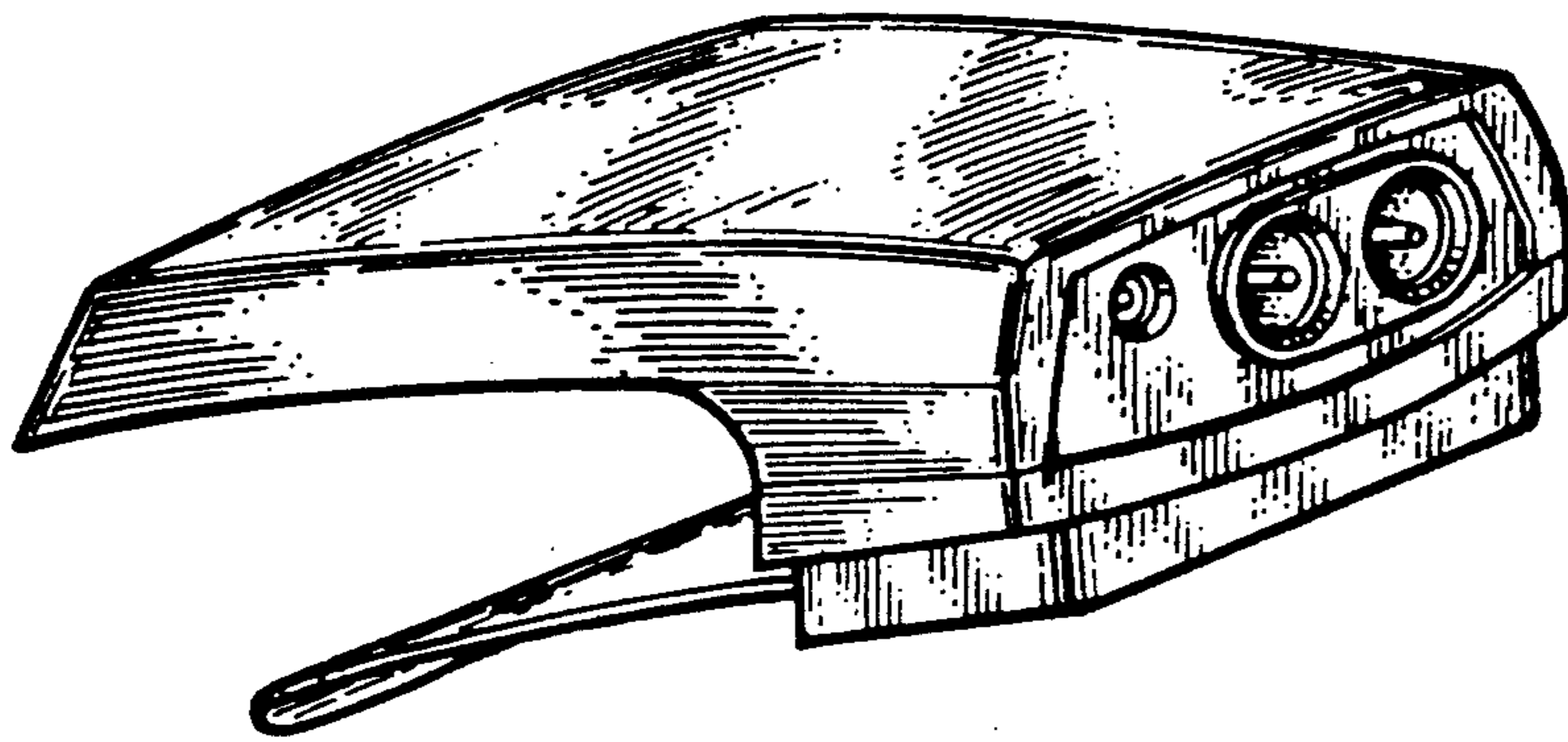


Fig-7