



US00D343381S

United States Patent [19]

[11] Patent Number: **Des. 343,381**

Inukai et al.

[45] Date of Patent: **** Jan. 18, 1994**

[54] **COMBINED BATTERY AND BATTERY CHARGER FOR A CORDLESS FACSIMILE MACHINE**

D. 321,855 11/1991 Ross, Jr. D13/107

[75] Inventors: **Yoshinori Inukai, Tokyo; Yoshiyuki Matsuda, Kokubunji, both of Japan**

OTHER PUBLICATIONS

Published Japanese application 60-34189, Apr. 7, 1987.

[73] Assignee: **Canon Kabushiki Kaisha, Tokyo, Japan**

Primary Examiner—Wallace R. Burke

Assistant Examiner—Joel Sincavage

Attorney, Agent, or Firm—Fitzpatrick, Cella, Harper & Scinto

[**] Term: **14 Years**

[57] CLAIM

[21] Appl. No.: **410**

The ornamental design for a combined battery and battery charger for a cordless facsimile machine, as shown and described.

[22] Filed: **Oct. 14, 1992**

[30] Foreign Application Priority Data

DESCRIPTION

Apr. 22, 1992 [JP] Japan 4-12172

FIG. 1 is a front elevational view of a combined battery and battery charger for a cordless facsimile machine showing our new design;

[52] U.S. Cl. **D13/107; D13/103**

FIG. 2 is a rear elevational view thereof;

[58] Field of Search 320/234; D13/107, 108, D13/144, 103; D14/114, 217, 218, 240

FIG. 3 is a top plan view thereof;

FIG. 4 is a bottom plan view thereof;

[56] References Cited

U.S. PATENT DOCUMENTS

FIG. 5 is a left side elevational view thereof;

FIG. 6 is a right side elevational view thereof; and,

FIG. 7 is a perspective view thereof.

D. 310,203 8/1990 Takahashi et al. D13/107

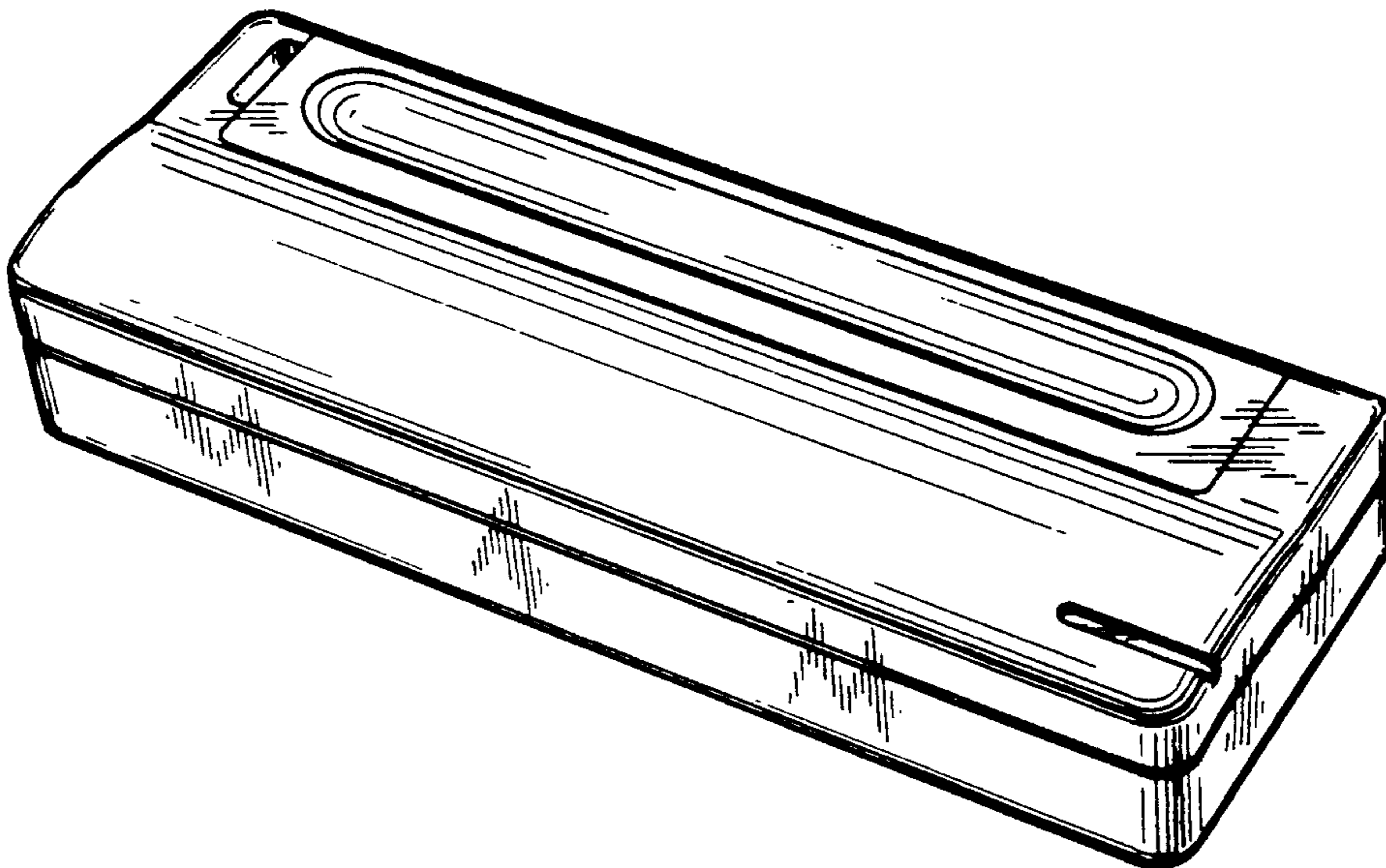


FIG. 1

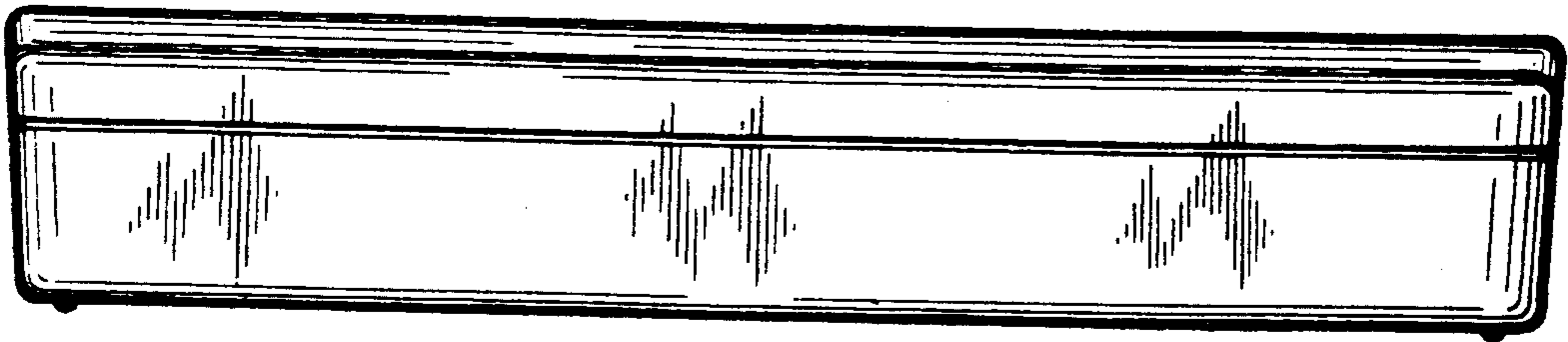


FIG. 2

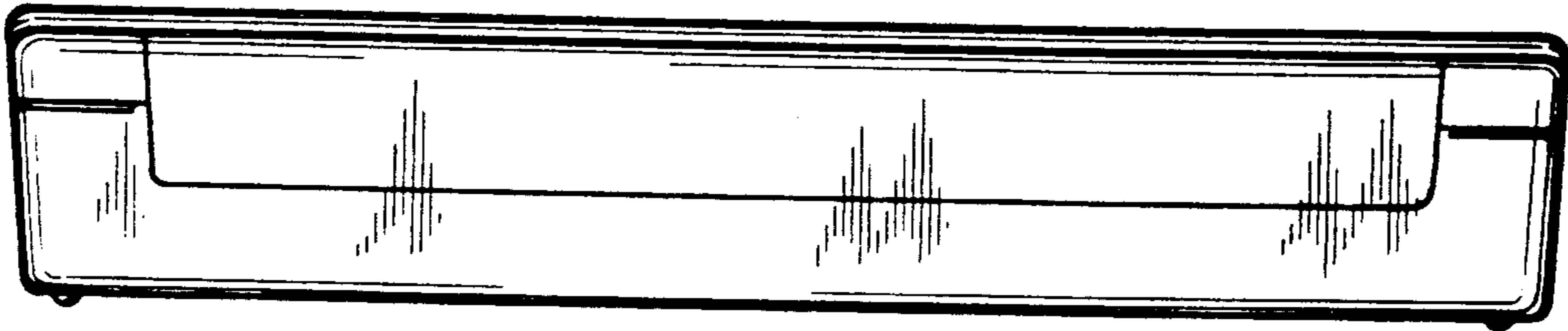


FIG. 3



FIG. 4

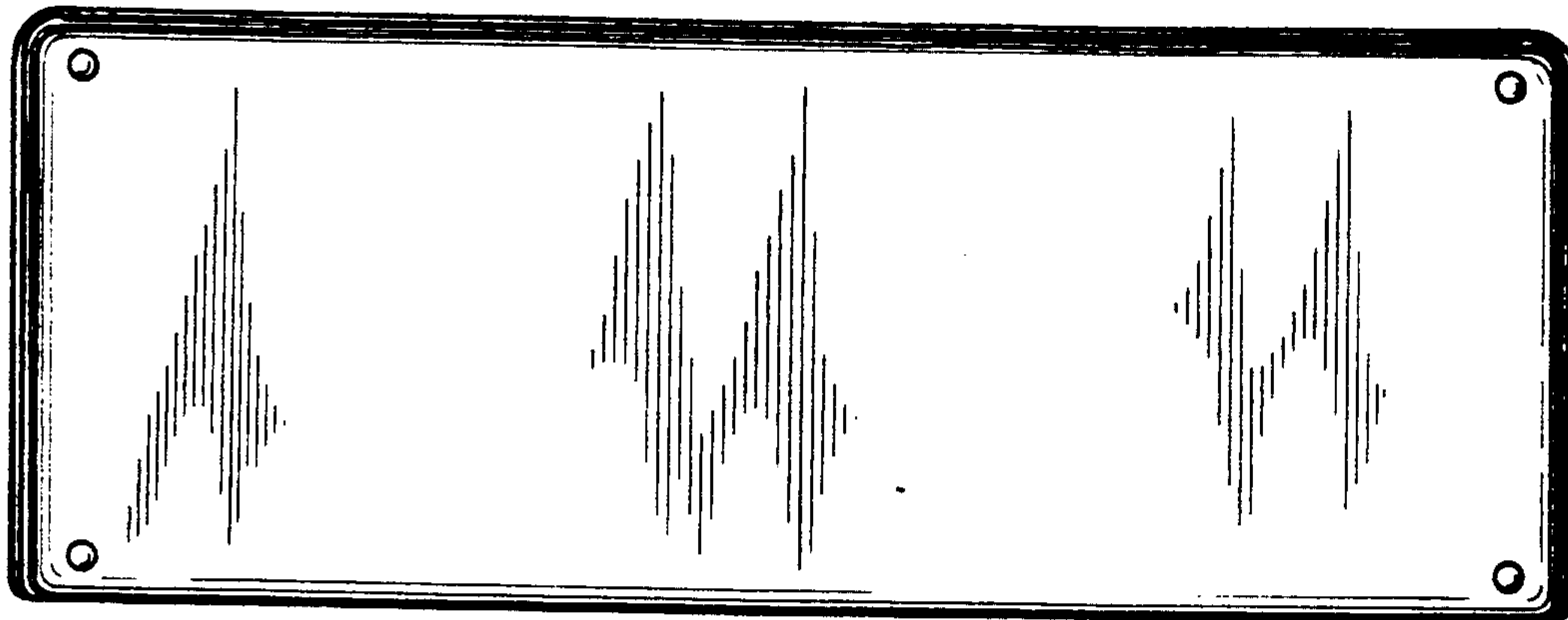


FIG. 5

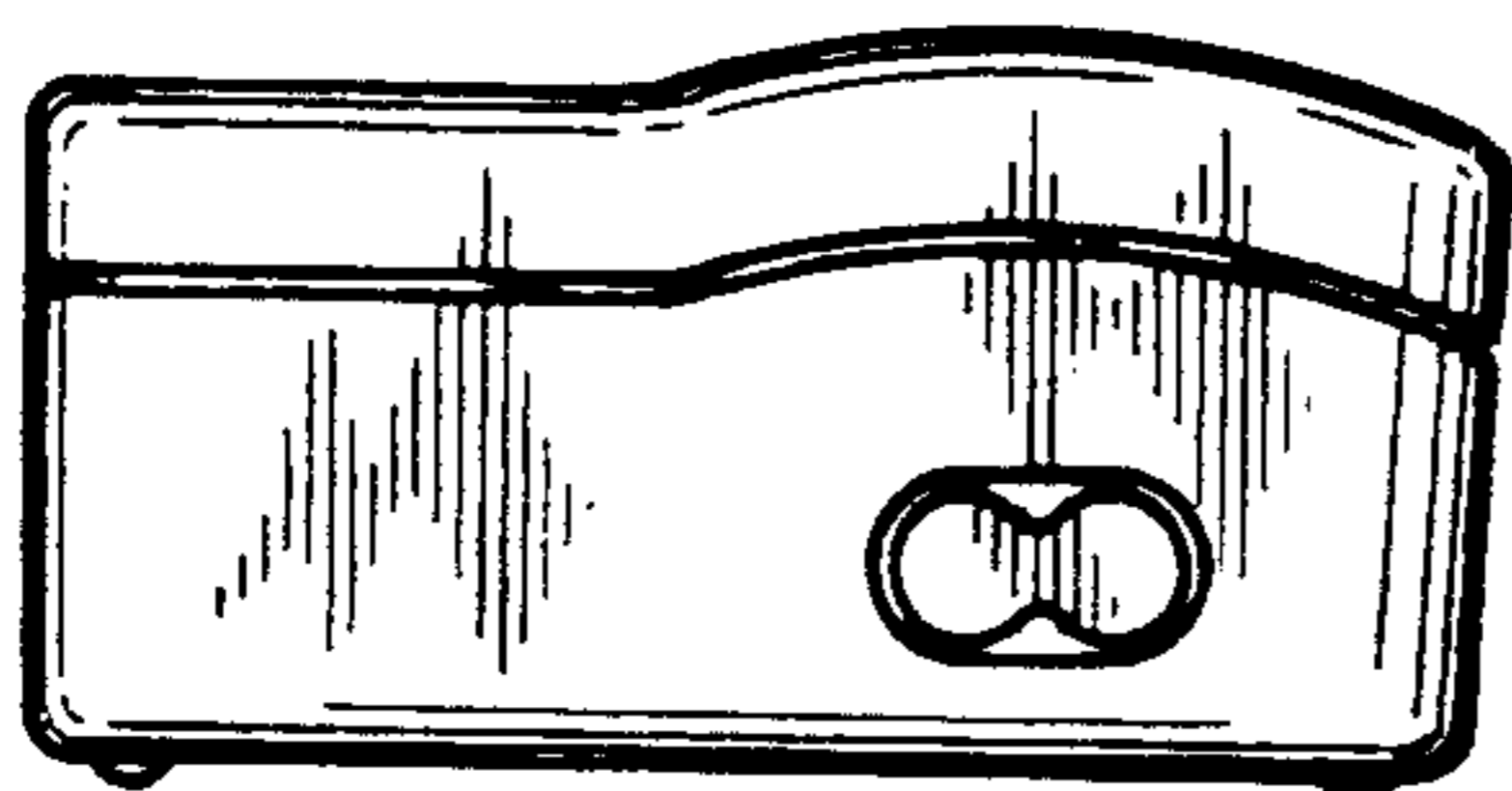


FIG. 6

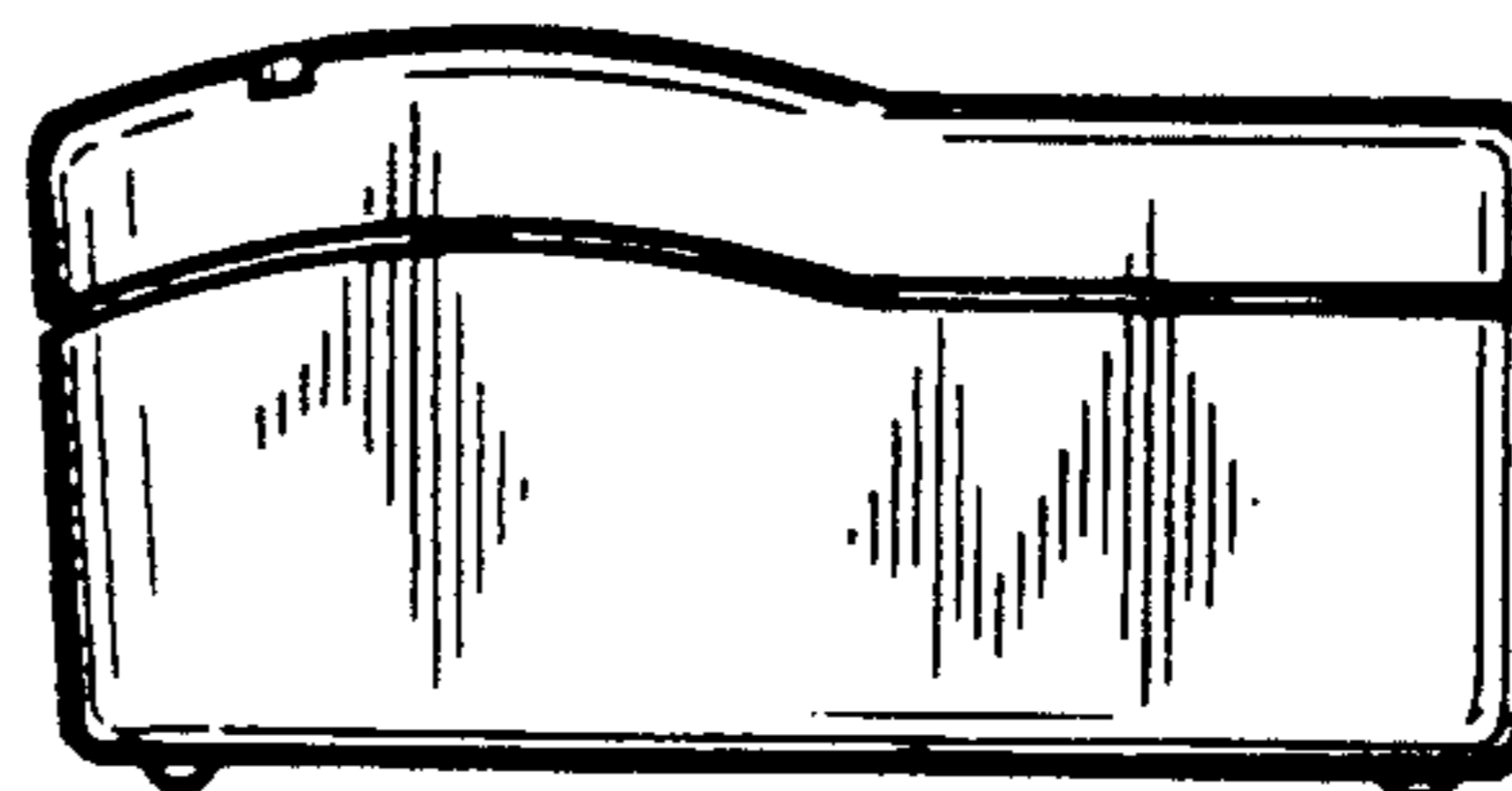


FIG. 7

