



US00D343380S

**United States Patent** [19]  
**Wortham**

[11] **Patent Number: Des. 343,380**

[45] **Date of Patent: \*\* Jan. 18, 1994**

[54] **BOAT WITH TRANSPARENT HULL**

[76] **Inventor: Brazel T. Wortham, Route 1, Box 185, Tillatoba, Miss. 38961**

[\*\*] **Term: 14 Years**

[21] **Appl. No.: 849,310**

[22] **Filed: Mar. 9, 1992**

[52] **U.S. Cl. .... D12/306; D12/300**

[58] **Field of Search .... 114/61, 357, 363, 66; D12/300, 307, 309, 306, 304**

4,141,309 2/1979 Halboth ..... 114/61  
5,000,106 3/1991 Rheny ..... 114/357

*Primary Examiner—Kay H. Chin*  
*Attorney, Agent, or Firm—S. Michael Bender*

[57] **CLAIM**

The ornamental design for a boat with transparent hull, as shown and described.

**DESCRIPTION**

FIG. 1 is a front elevational view of a boat with transparent hull showing my new design;  
FIG. 2 is a rear elevational view thereof;  
FIG. 3 is a left side elevational view thereof;  
FIG. 4 is a right side elevational view thereof;  
FIG. 5 is a top plan view thereof; and,  
FIG. 6 is a bottom plan view thereof.

[56] **References Cited**  
**U.S. PATENT DOCUMENTS**

D. 236,448 8/1975 Simon ..... D12/307  
4,022,145 5/1977 Tindal ..... 114/363

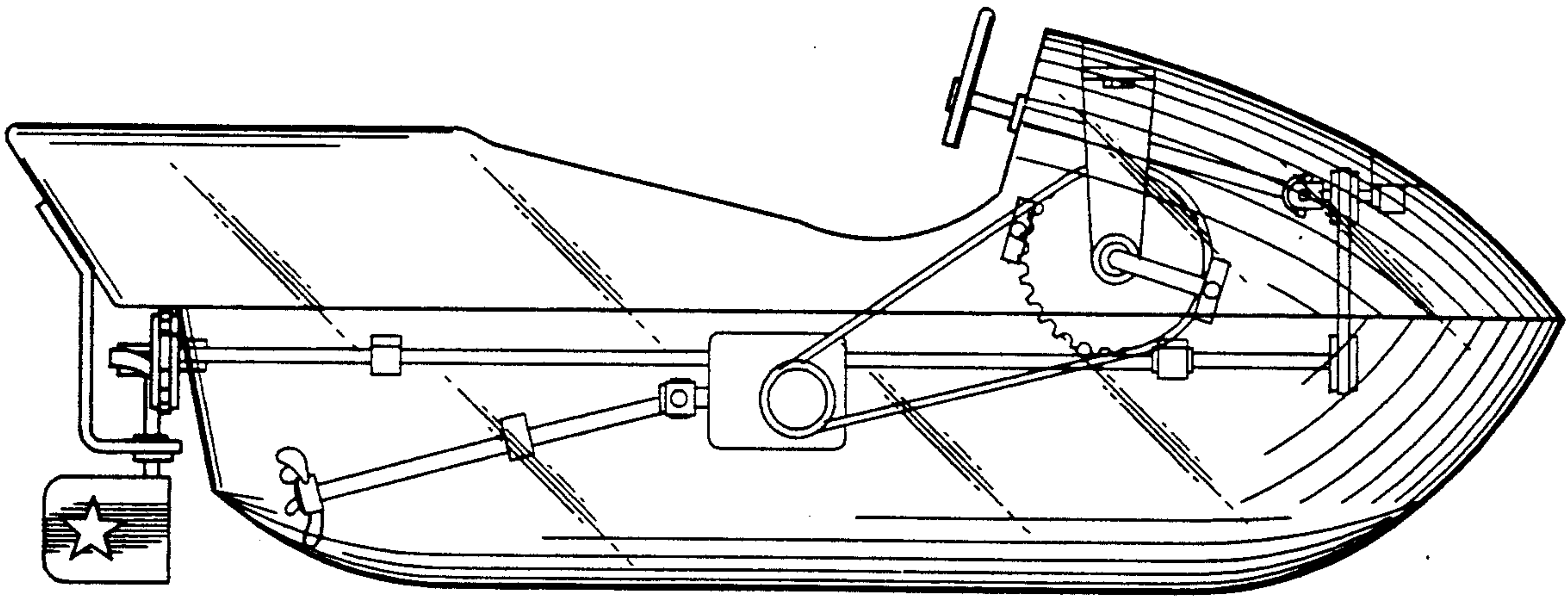
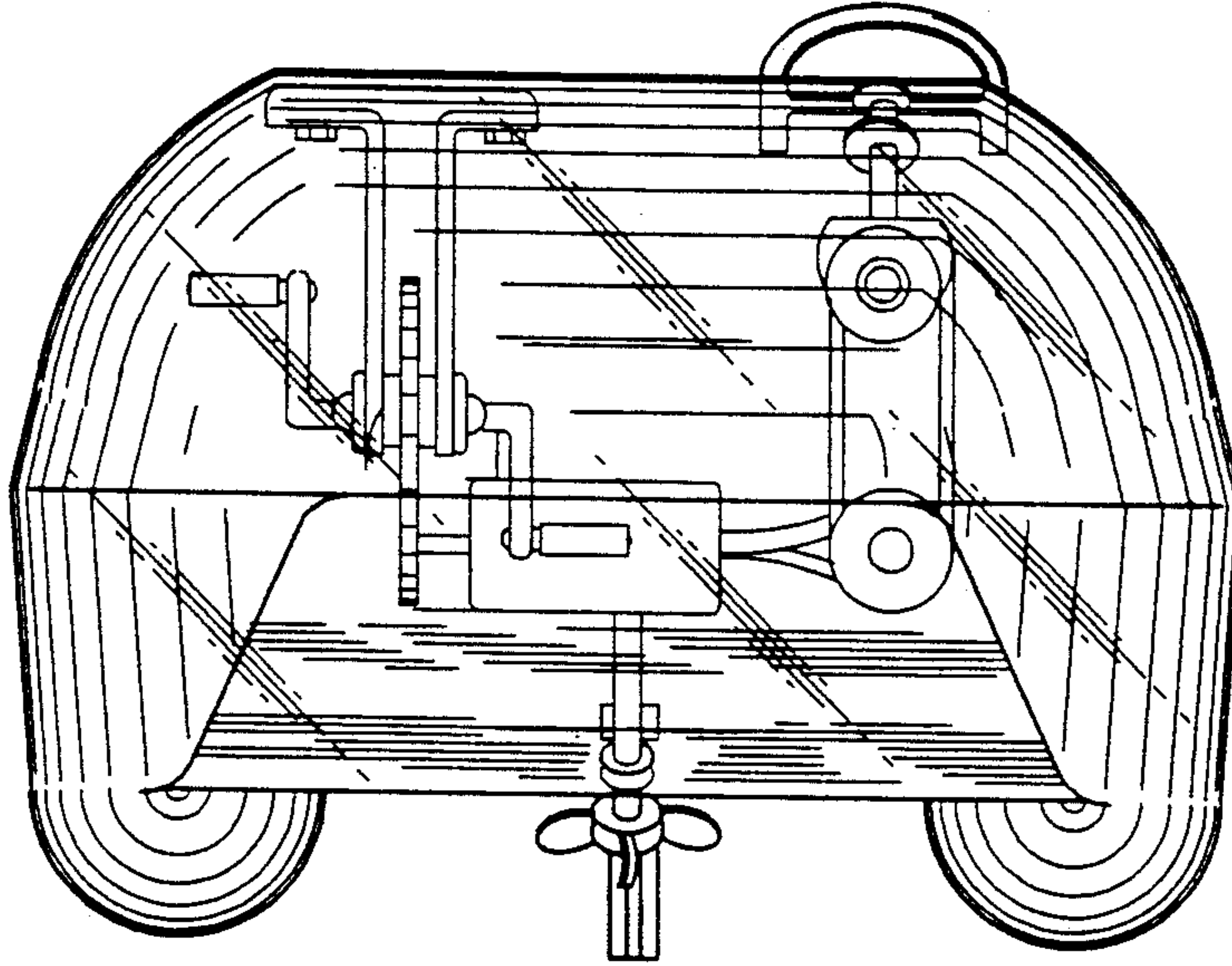


FIG. 1

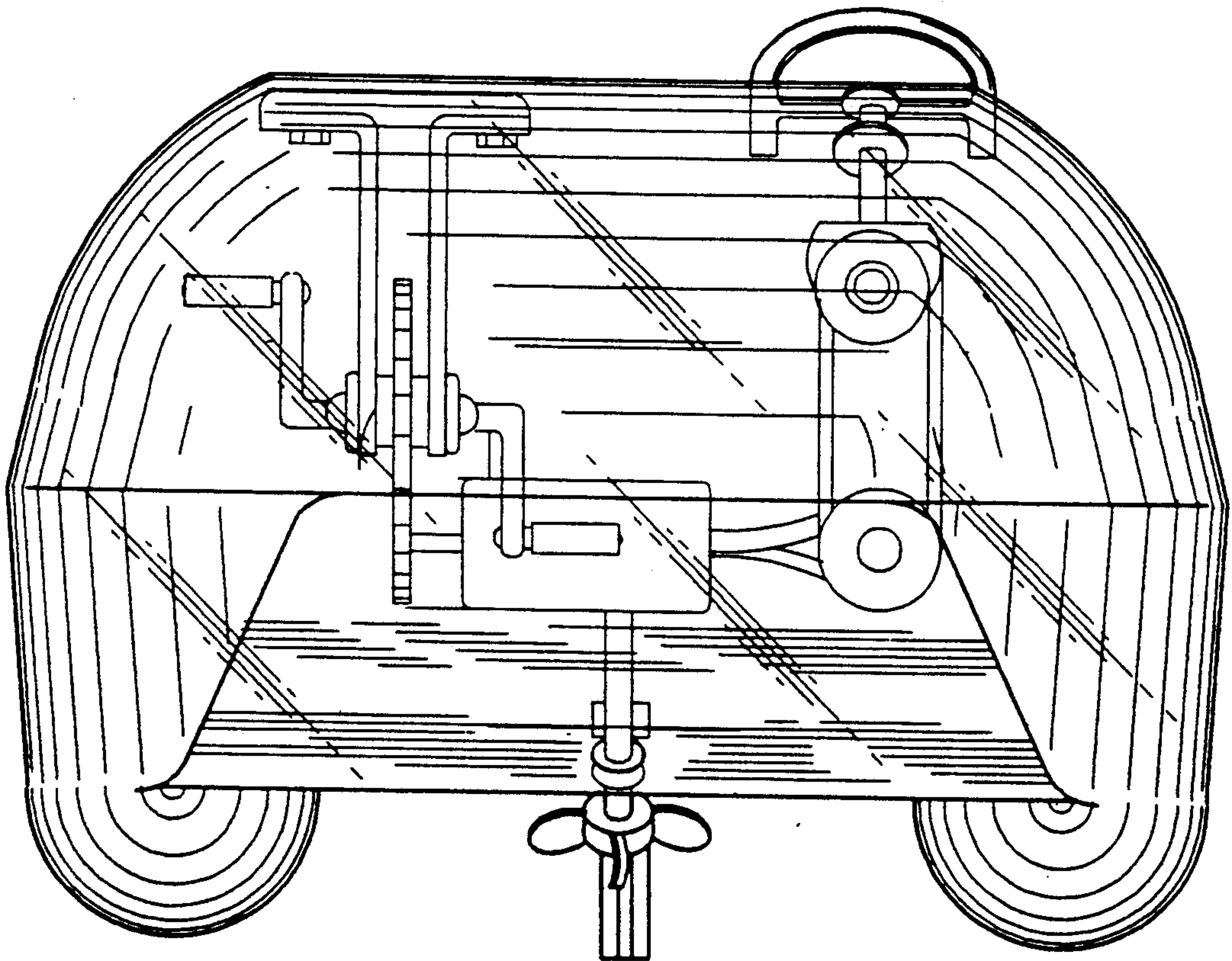
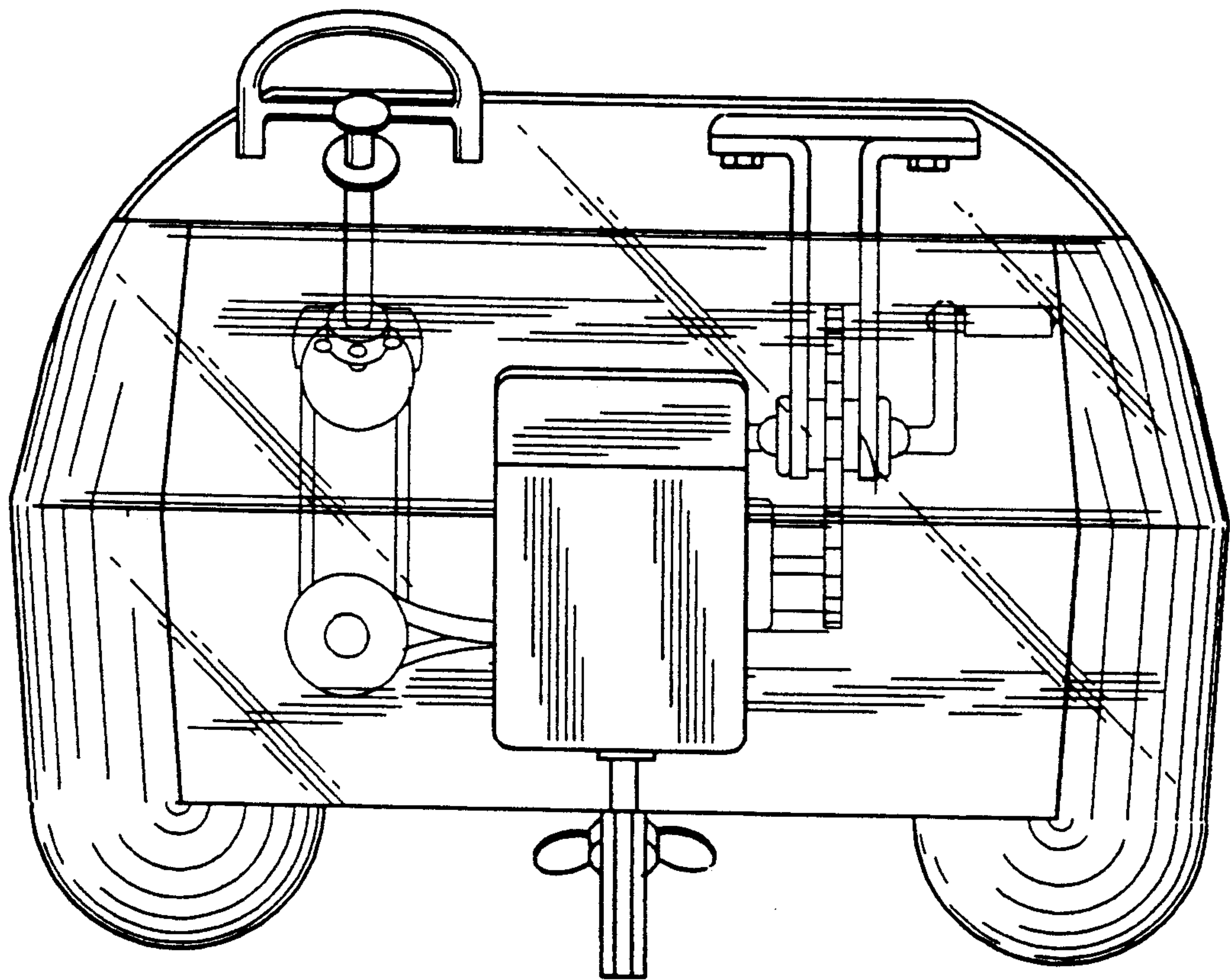


FIG. 2





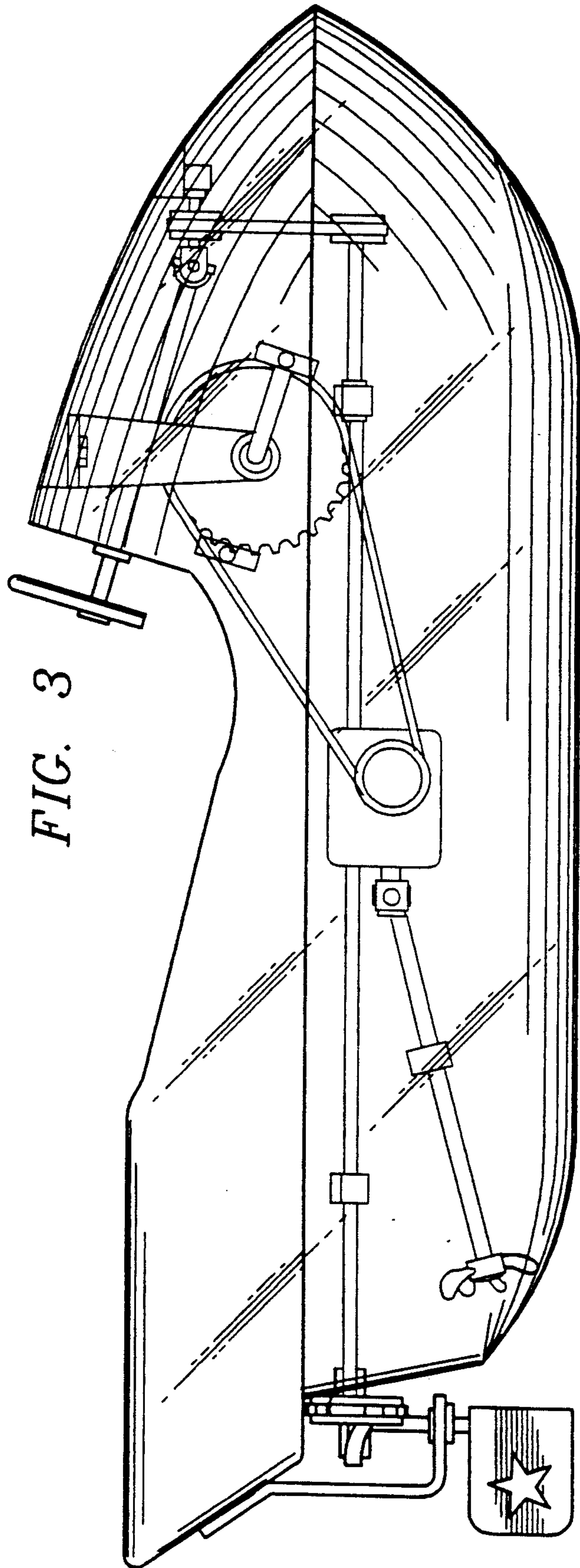


FIG. 3

FIG. 4

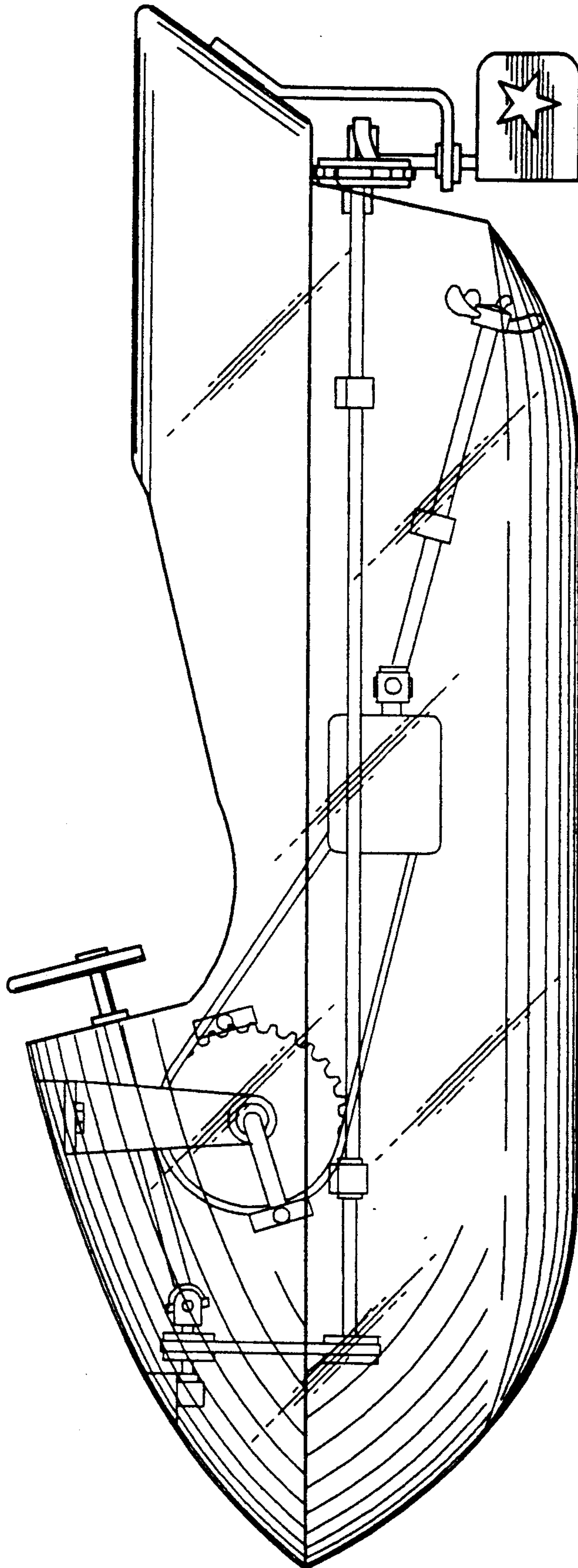


FIG. 5

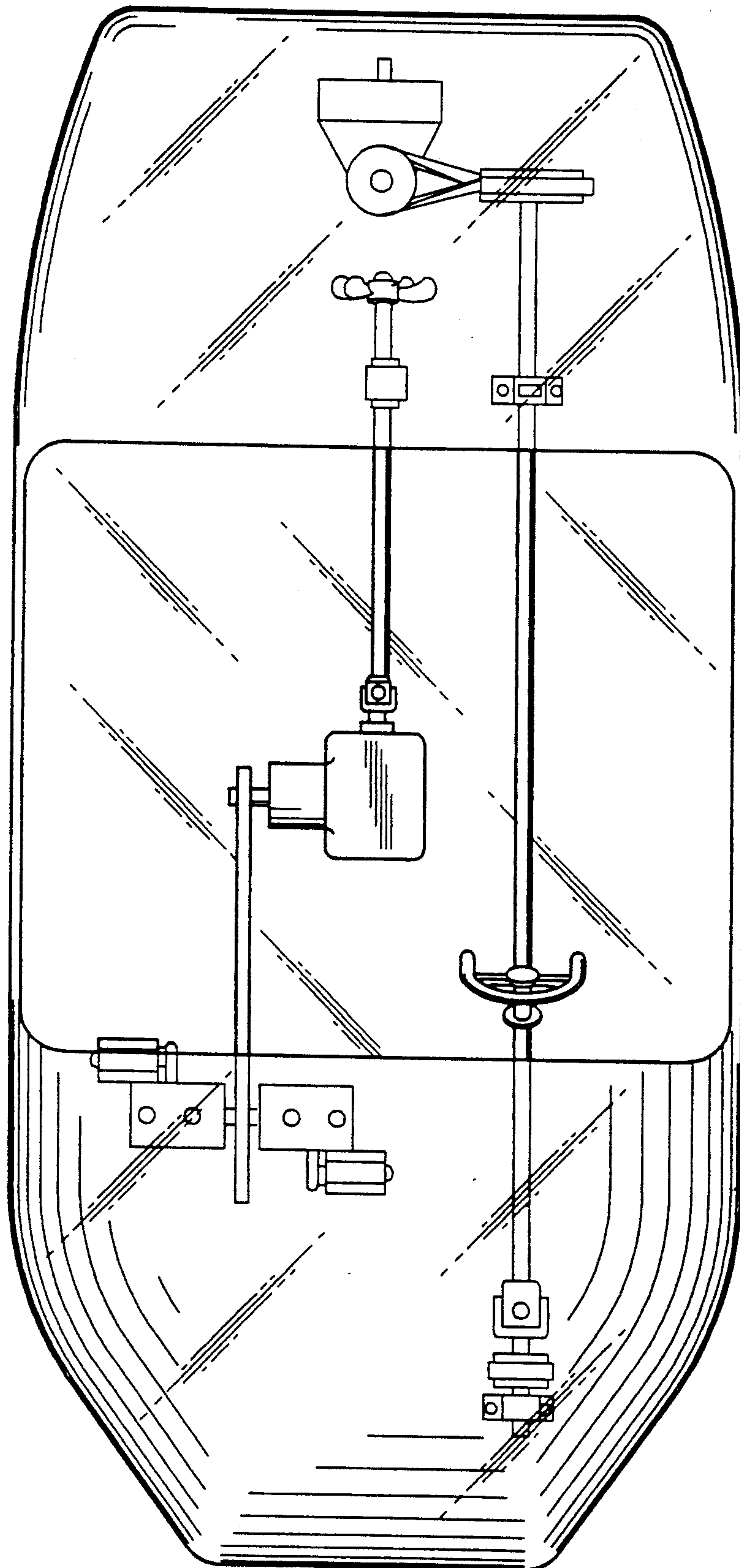


FIG. 6

