



US00D343377S

United States Patent [19]
Joly

[11] **Patent Number: Des. 343,377**

[45] **Date of Patent: ** Jan. 18, 1994**

[54] **SUPPORT FOR VEHICLE TRAILER TONGUES**

4,993,677 2/1991 Patterson 248/351
4,997,332 3/1991 Johnson 280/414.1

[76] **Inventor: Francis L. Joly, P.O. Box 2282, Muscle Shoals, Ala. 35661**

Primary Examiner—Wallace R. Burke
Assistant Examiner—Melody Brown
Attorney, Agent, or Firm—Terry M. Gernstein

[**] **Term: 14 Years**

[21] **Appl. No.: 882,110**

[57] **CLAIM**

[22] **Filed: May 14, 1992**

The ornamental design for a support for vehicle trailer tongues, as shown.

[52] **U.S. Cl. D12/162**

[58] **Field of Search 280/482, 507, 414.1; 248/351, 352; D12/162**

DESCRIPTION

[56] **References Cited**

U.S. PATENT DOCUMENTS

2,873,981	2/1959	Grant et al.	D12/162
4,407,519	10/1983	Keyser	280/482
4,674,731	6/1987	Stellato	248/351
4,779,931	10/1988	Miller et al.	248/351
4,842,239	6/1989	Kinsey	248/351

FIG. 1 is a perspective view of the support for vehicle trailer tongues embodying the design of the present invention;

FIG. 2 is a front elevational view thereof;

FIG. 3 is a rear elevational view thereof;

FIG. 4 is an end elevational view thereof;

FIG. 5 is an opposite end elevational view thereof;

FIG. 6 is a top plan view thereof; and,

FIG. 7 is a bottom view thereof.

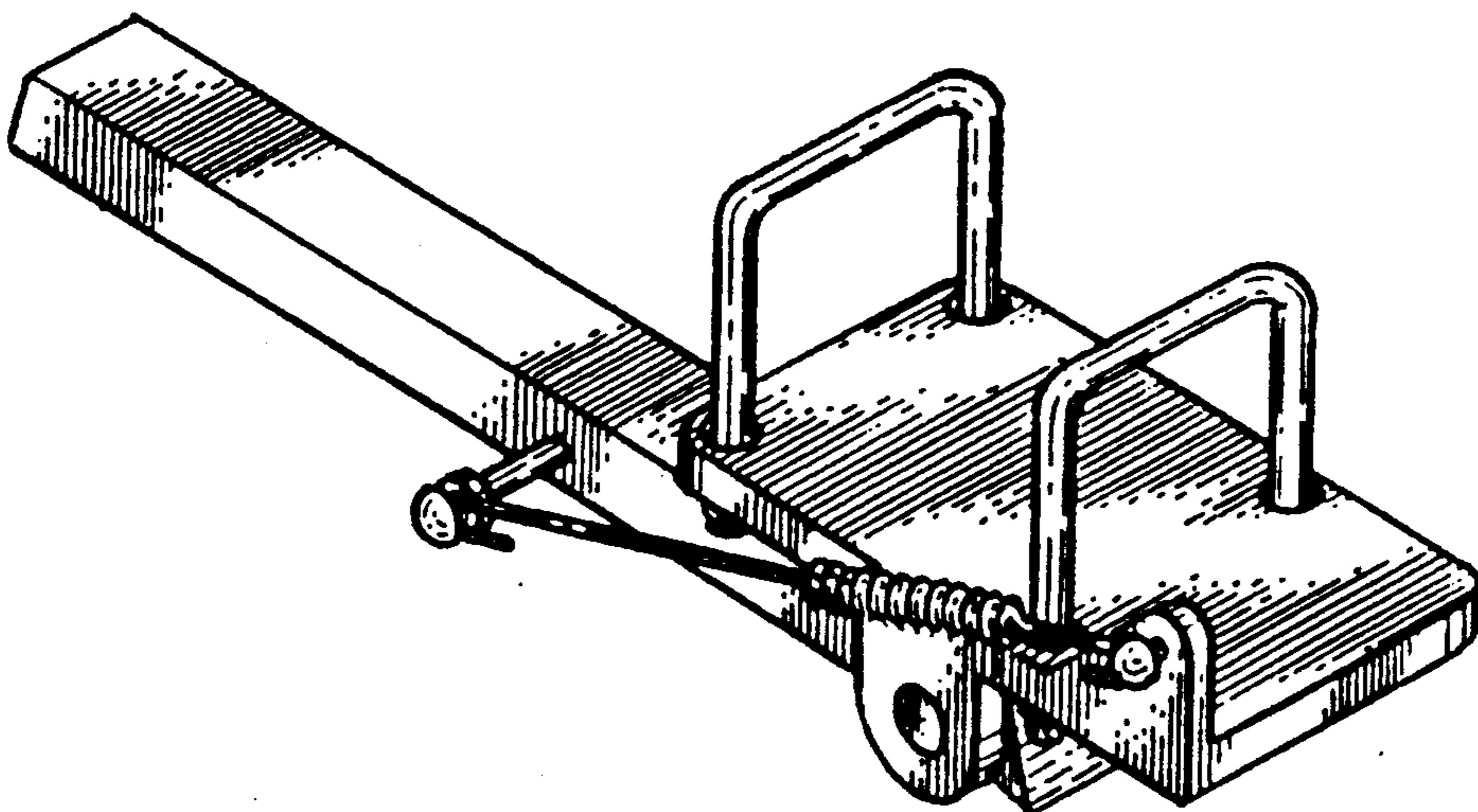
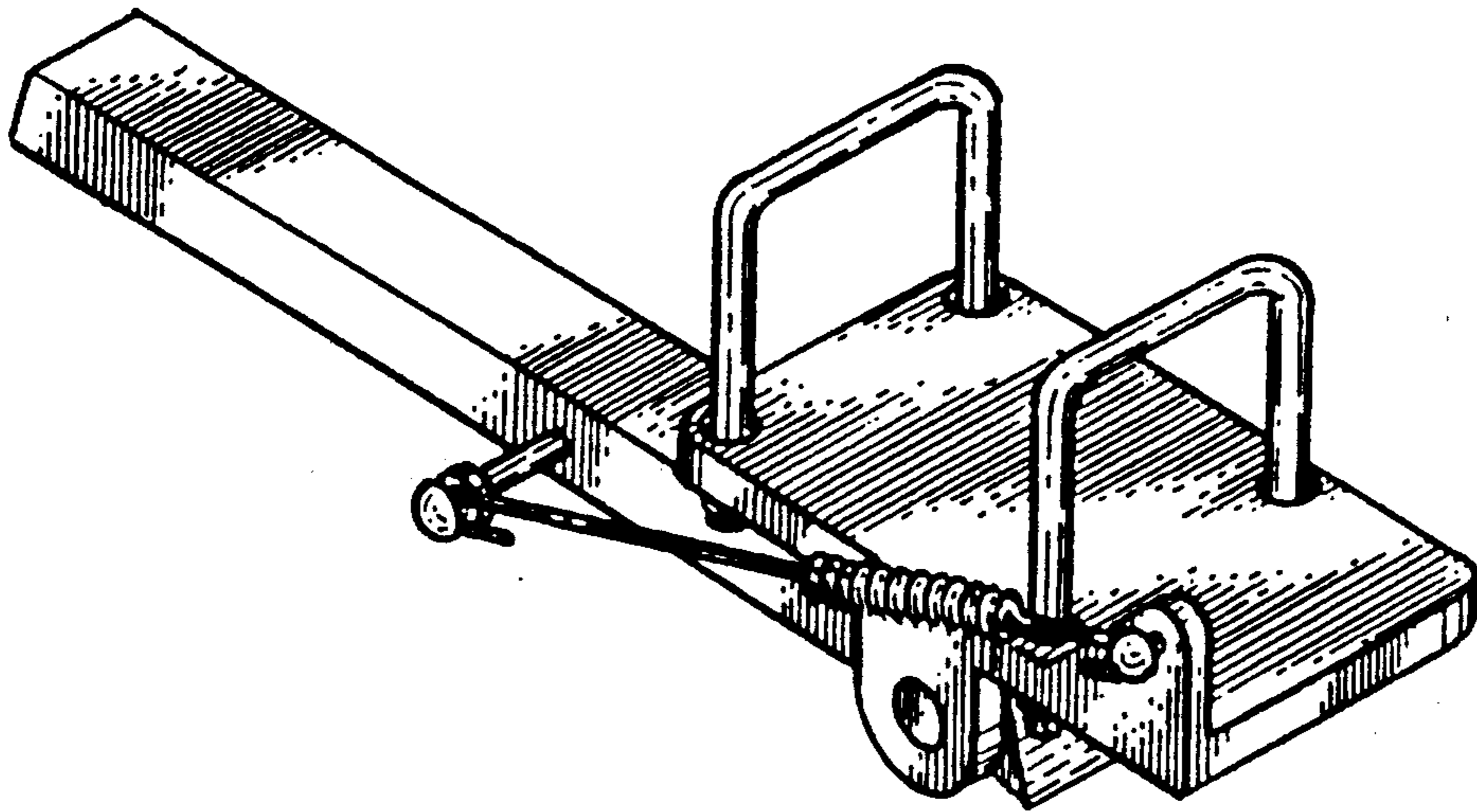


FIG. 1



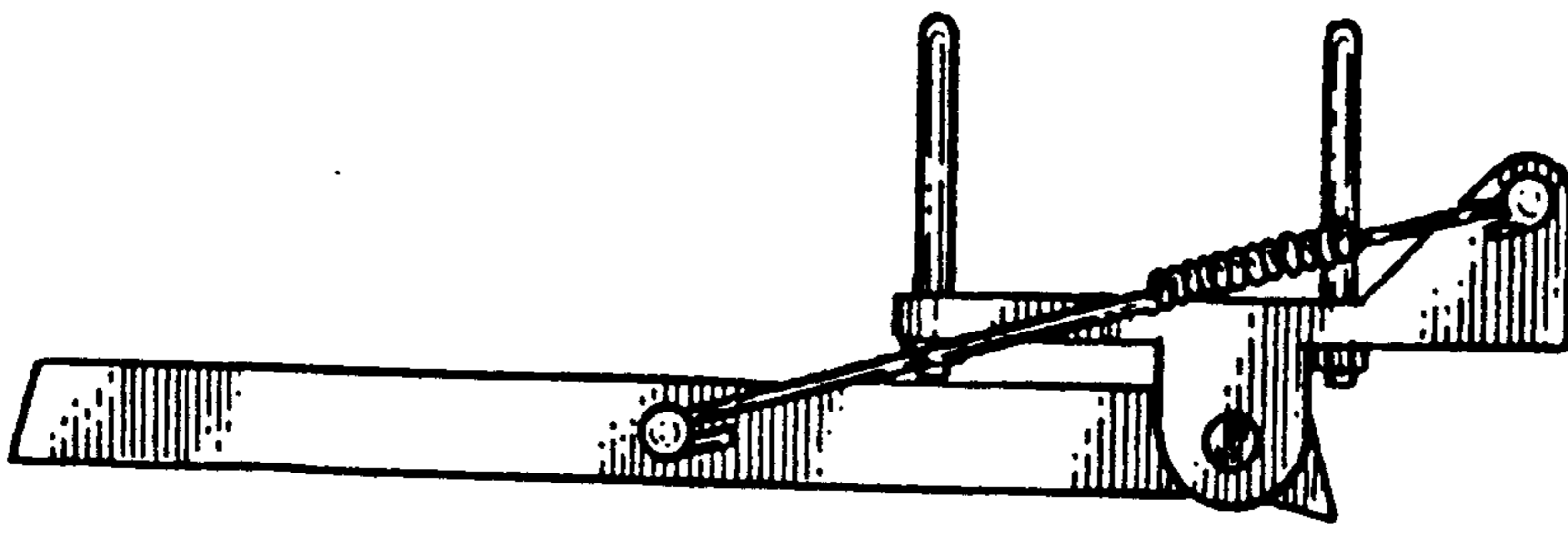


FIG. 2

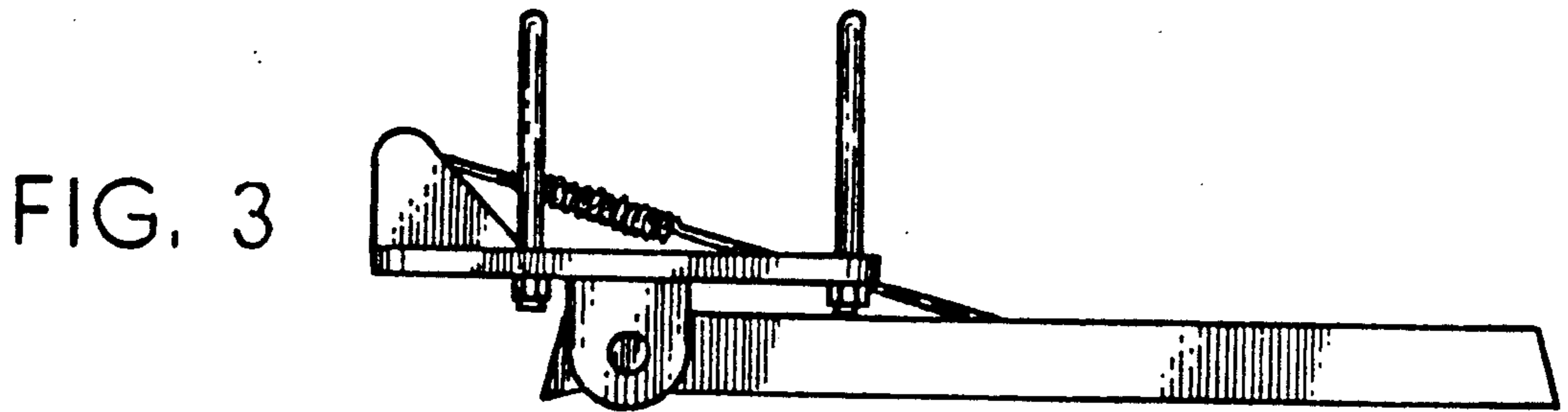


FIG. 3

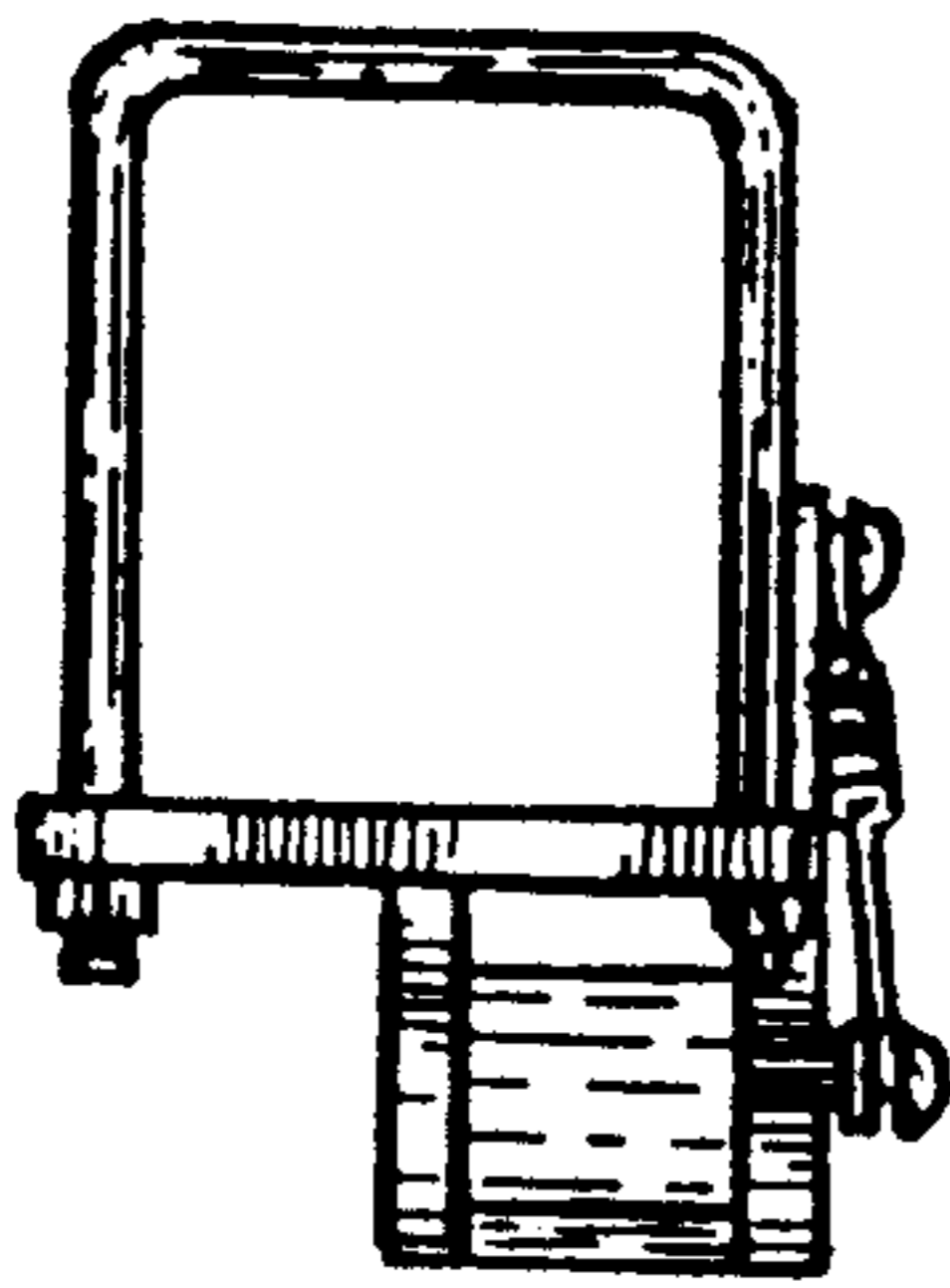


FIG. 4

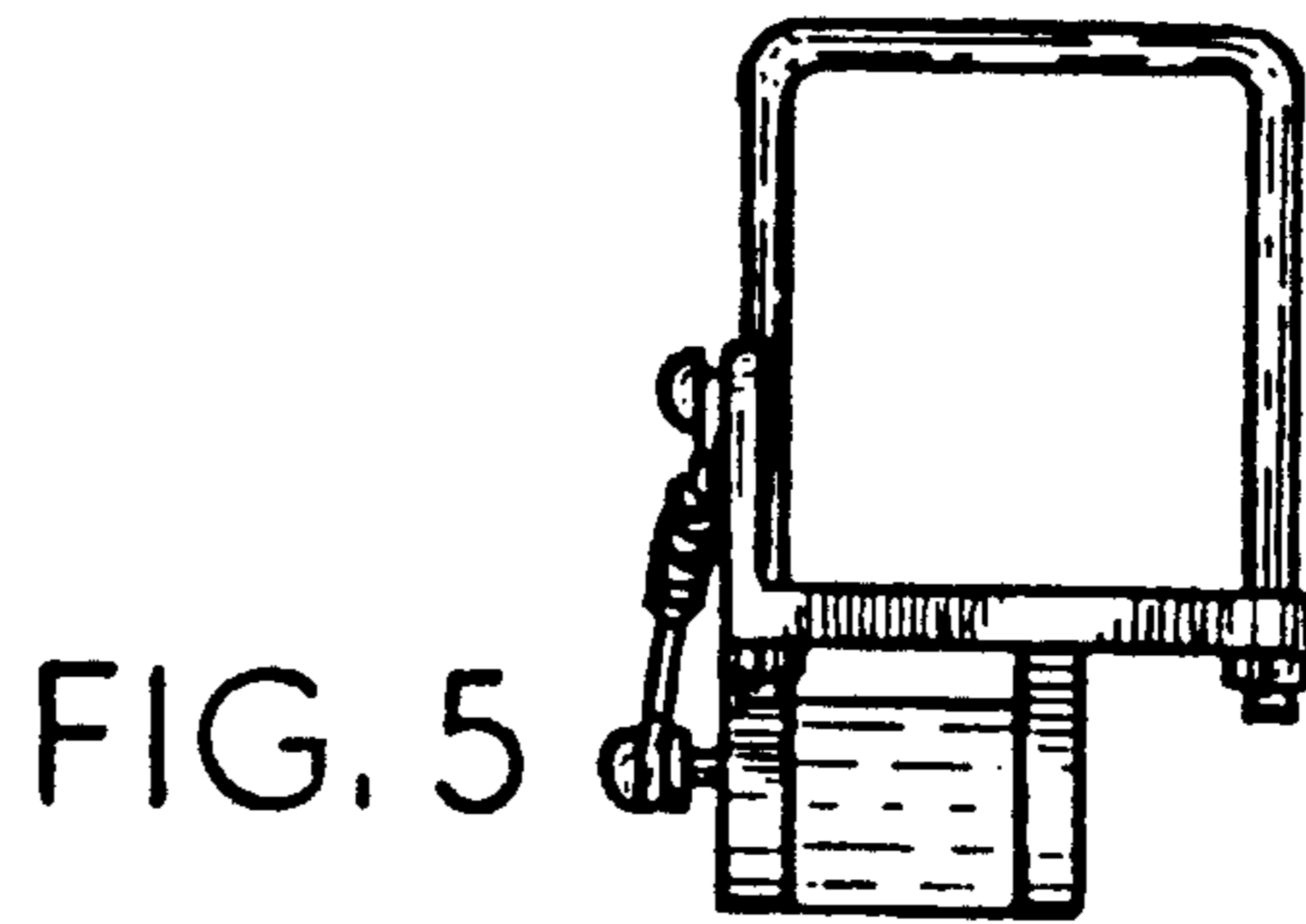


FIG. 5

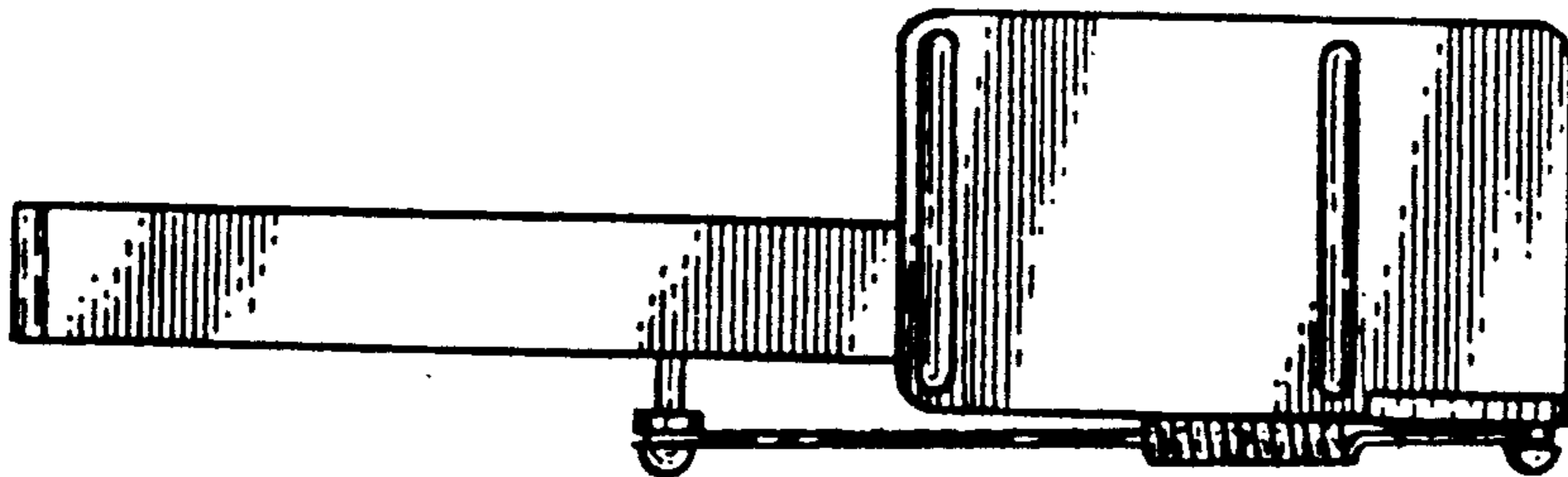


FIG. 6

FIG. 7

