



US00D343355S

# United States Patent [19]

[11] Patent Number: **Des. 343,355**

**Bertrand**

[45] Date of Patent: **\*\* Jan. 18, 1994**

[54] **DISPLAY PACKAGING**

[75] Inventor: **Victor J. Bertrand, Ile Bizard, Canada**

[73] Assignee: **The Ritvik Group Inc., Dorval, Canada**

[\*\*] Term: **14 Years**

[21] Appl. No.: **851,159**

[22] Filed: **Mar. 16, 1992**

[52] U.S. Cl. .... **D9/341**

[58] Field of Search ..... **D9/341, 342, 337, 432, D9/414, 415, 418, 424, 456; 206/44 R, 806, 461; 220/23.4, 23.6; 446/85, 128; D21/108**

[56] **References Cited**

**U.S. PATENT DOCUMENTS**

- D. 252,909 9/1979 Bayly ..... D9/424 X
- D. 252,981 9/1979 Fenton ..... D21/108 X
- D. 309,332 7/1990 Olsen ..... D21/108
- D. 321,648 11/1991 Ricci ..... D9/341
- D. 325,477 4/1992 Poulsen et al. .... D21/108 X
- D. 327,185 6/1992 Ryaa ..... D21/108 X

- 3,302,917 2/1967 Winkler ..... 206/806 X
- 4,011,946 3/1977 Sauage et al. .... 206/44 R X
- 4,349,102 9/1982 Strongwater ..... 206/806 X
- 5,188,221 2/1993 Bertrand ..... 206/44 R

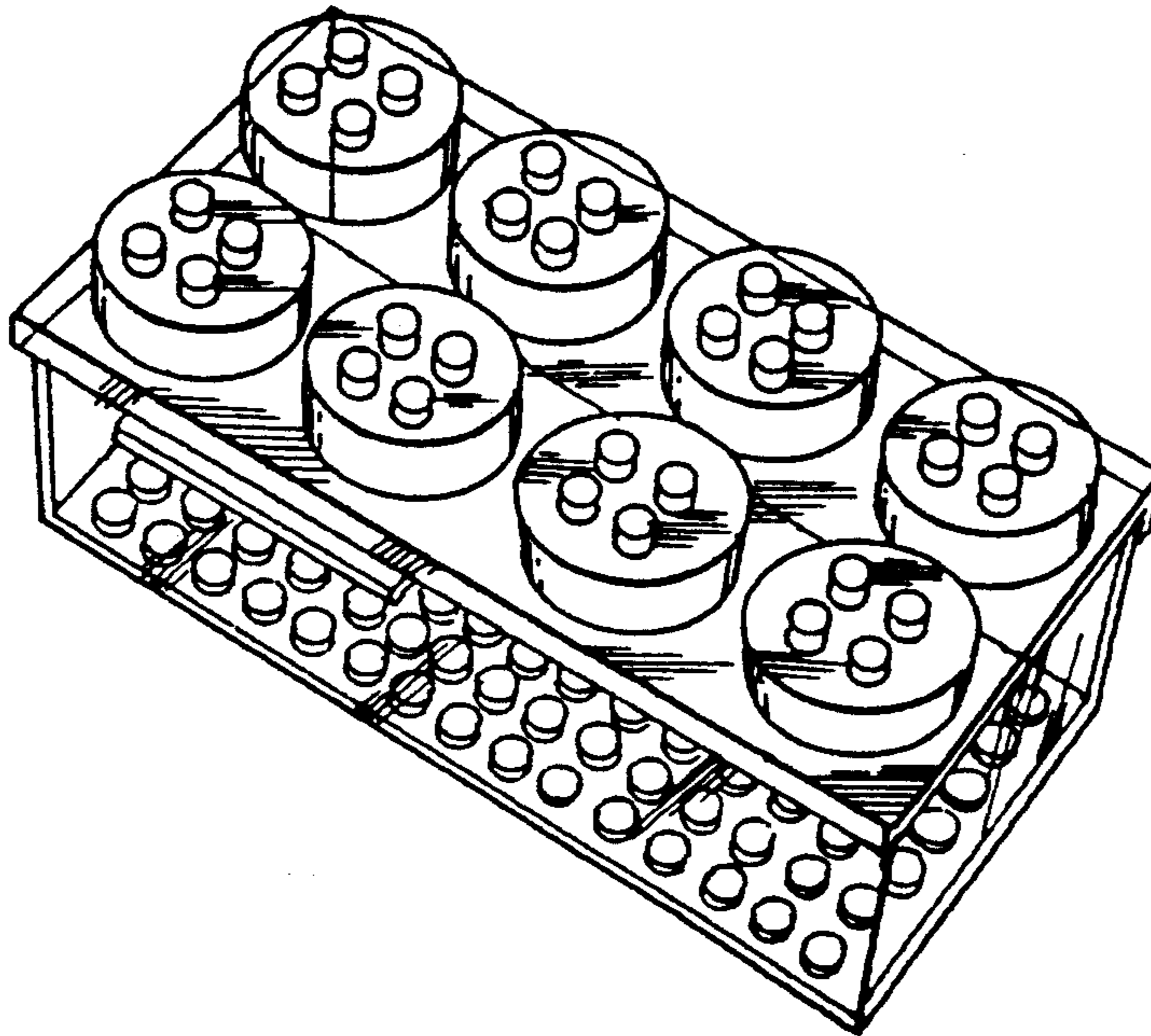
*Primary Examiner*—Prabhakar G. Deshmukh  
*Attorney, Agent, or Firm*—Robic

[57] **CLAIM**

The ornamental design for a display packaging, as shown and described.

**DESCRIPTION**

FIG. 1 is a top perspective view of a display packaging showing my new design;  
 FIG. 2 is a bottom perspective view thereof;  
 FIG. 3 is a top plan view thereof;  
 FIG. 4 is a left side elevational view thereof; the right side elevational view being a mirror image thereof;  
 FIG. 5 is a front elevational view thereof;  
 FIG. 6 is a rear elevational view thereof;  
 FIG. 7 is a bottom plan view thereof; and,  
 FIG. 8 is a bottom plan view thereof, with the retractable hook shown in an extended position for clarity of illustration.



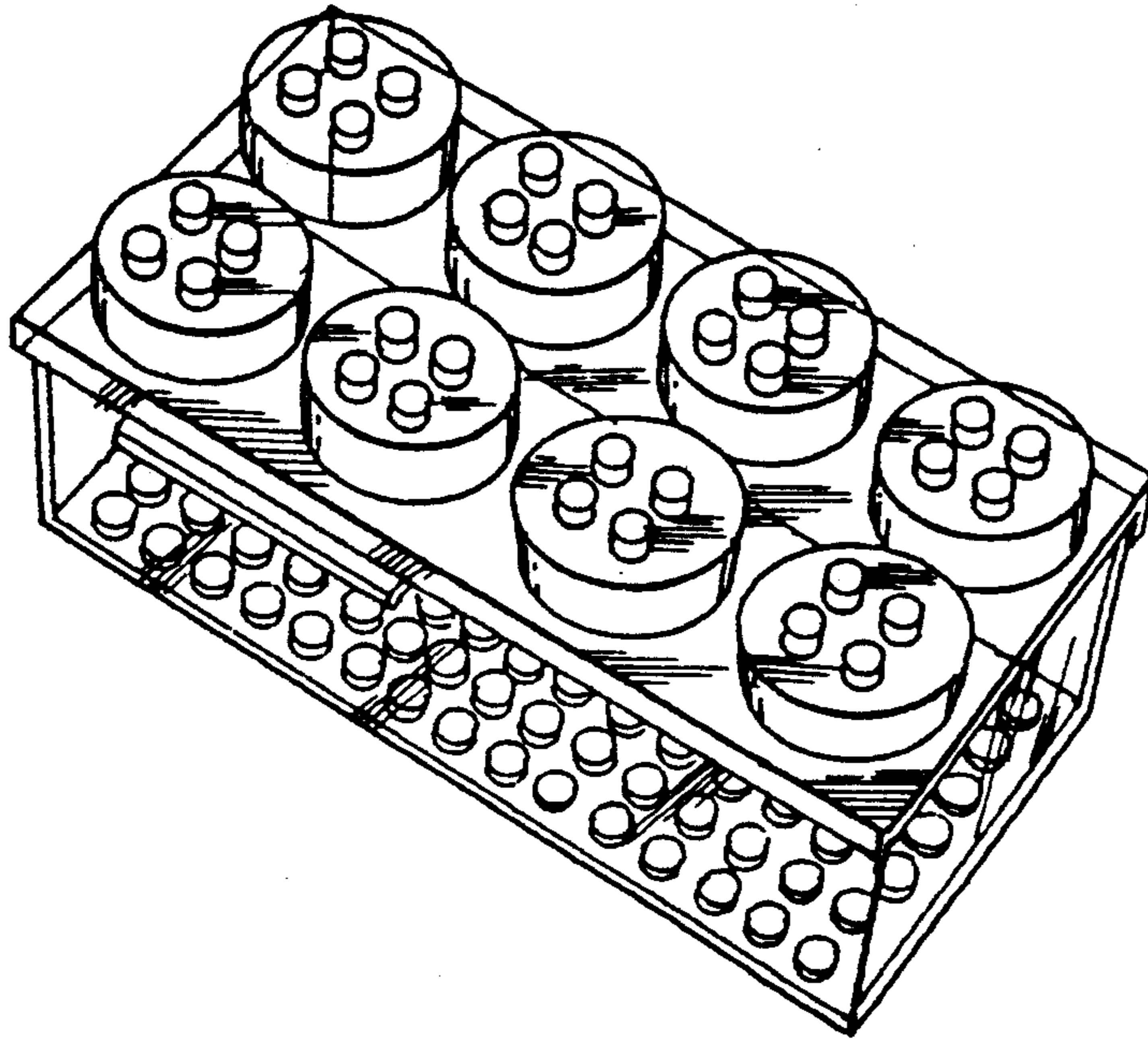


FIG. 1

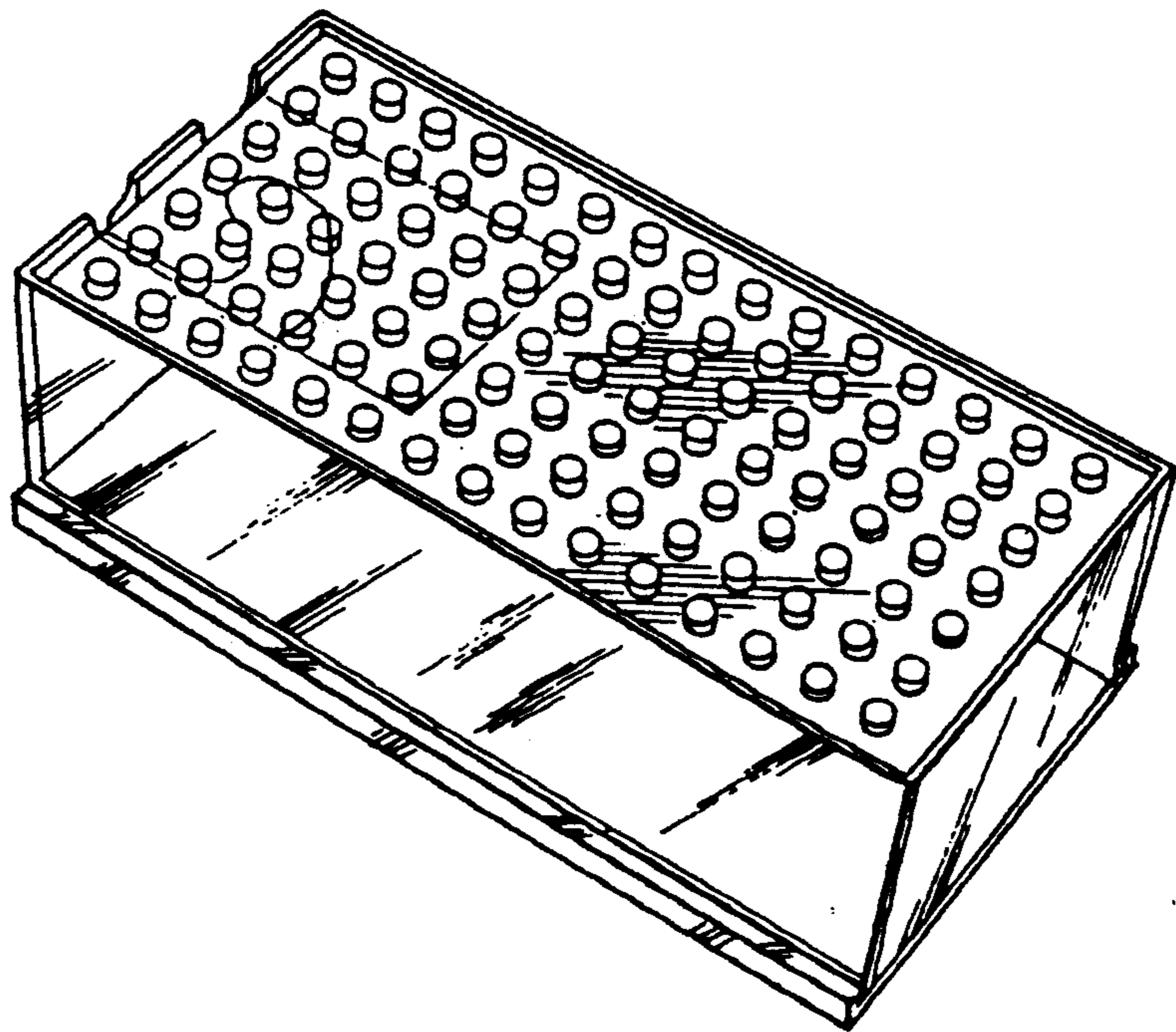


FIG. 2

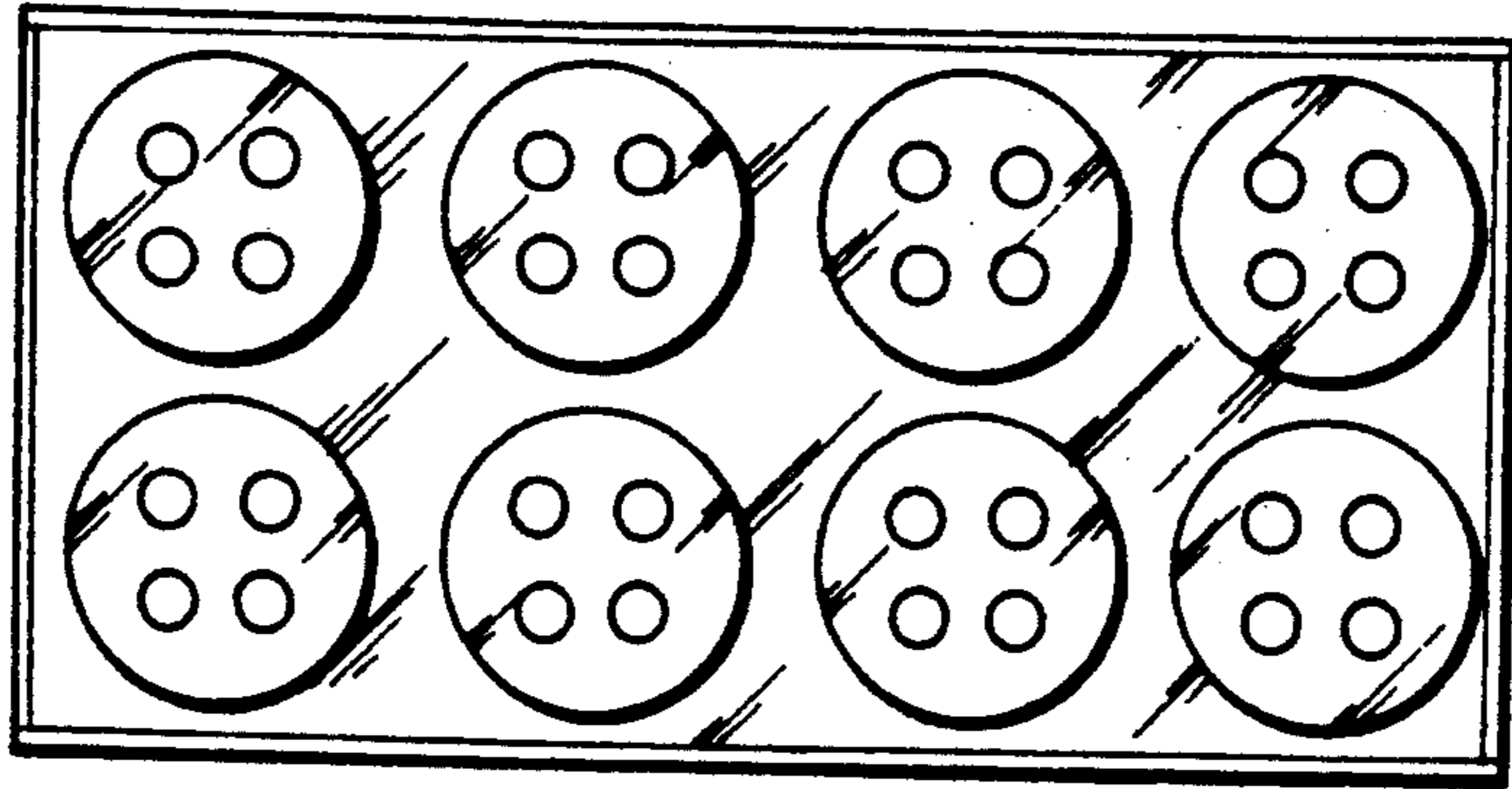


FIG. 3

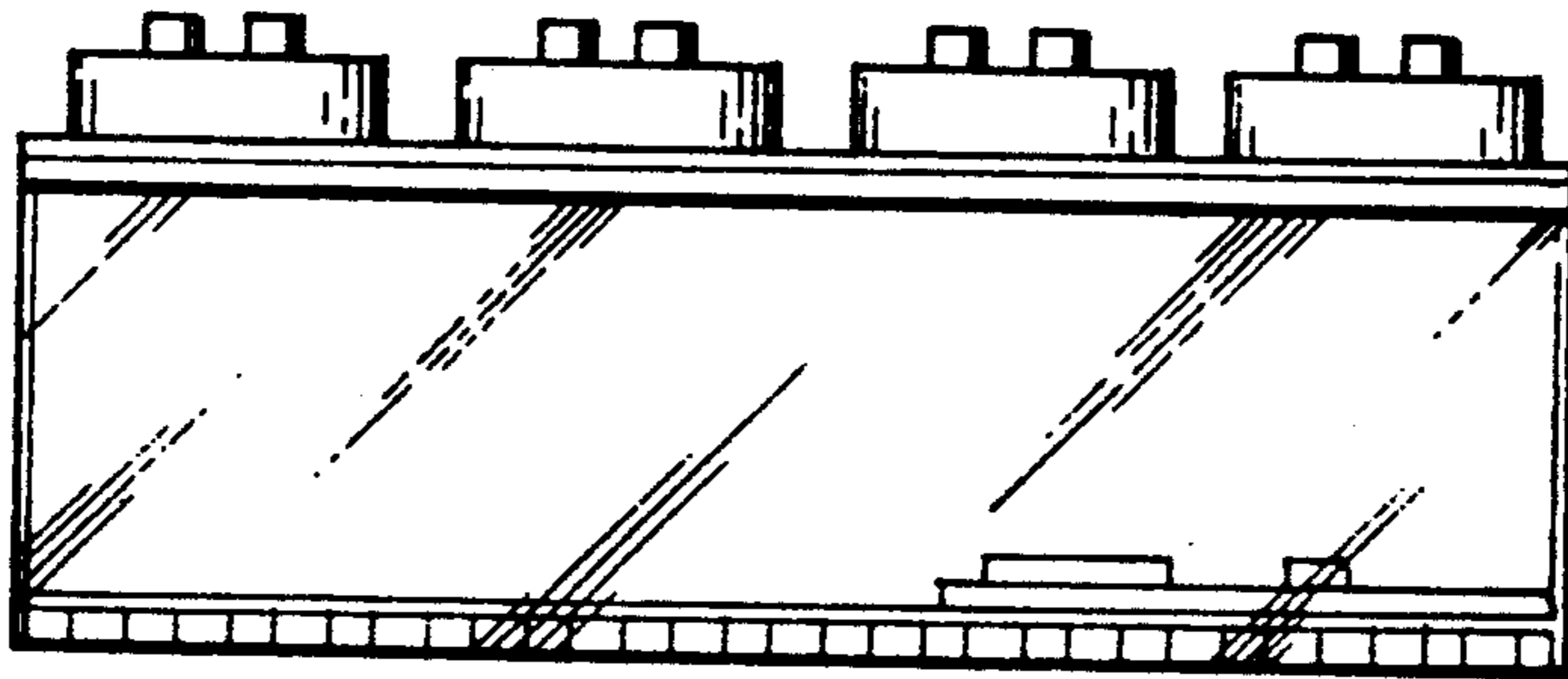


FIG. 4

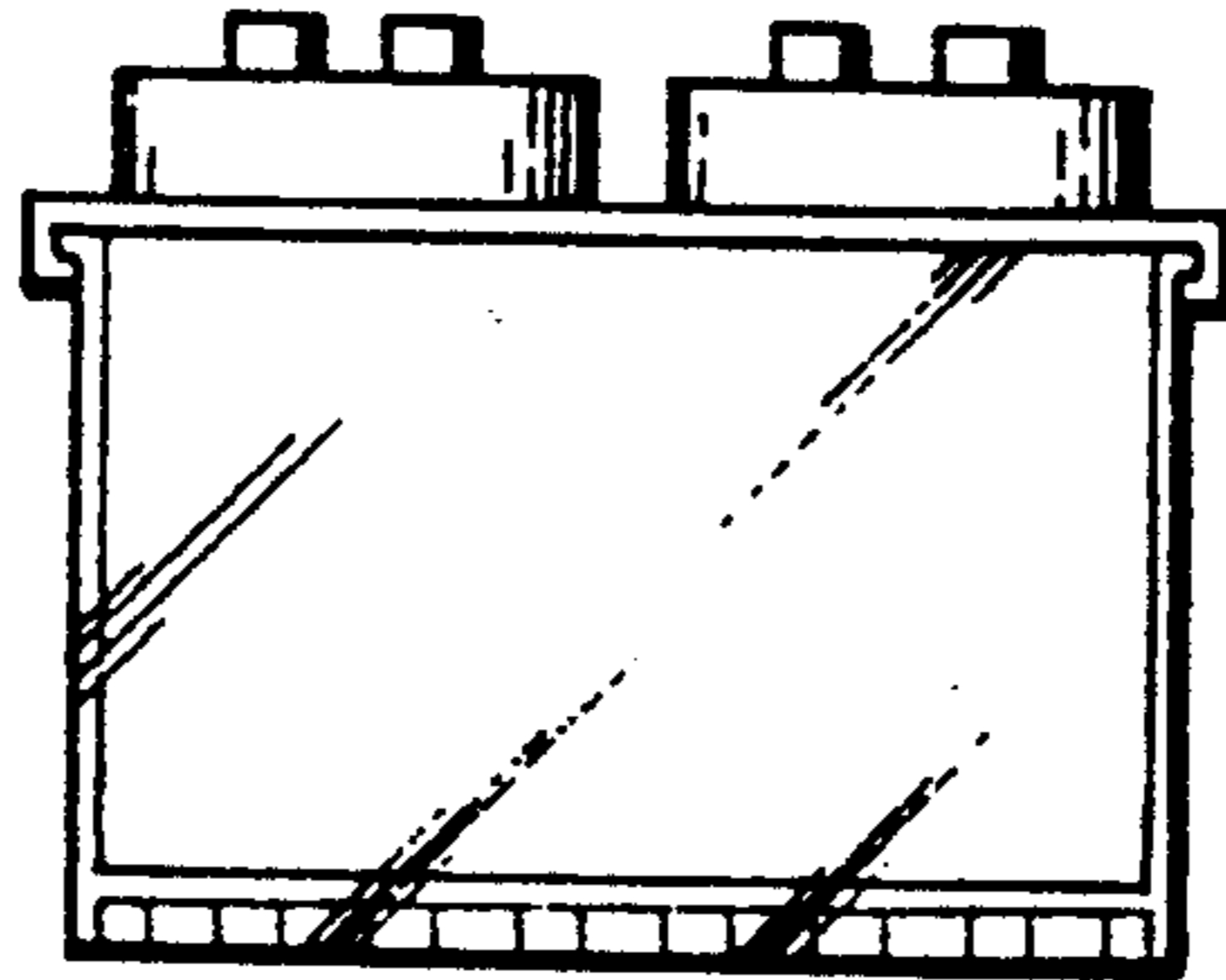


FIG. 5

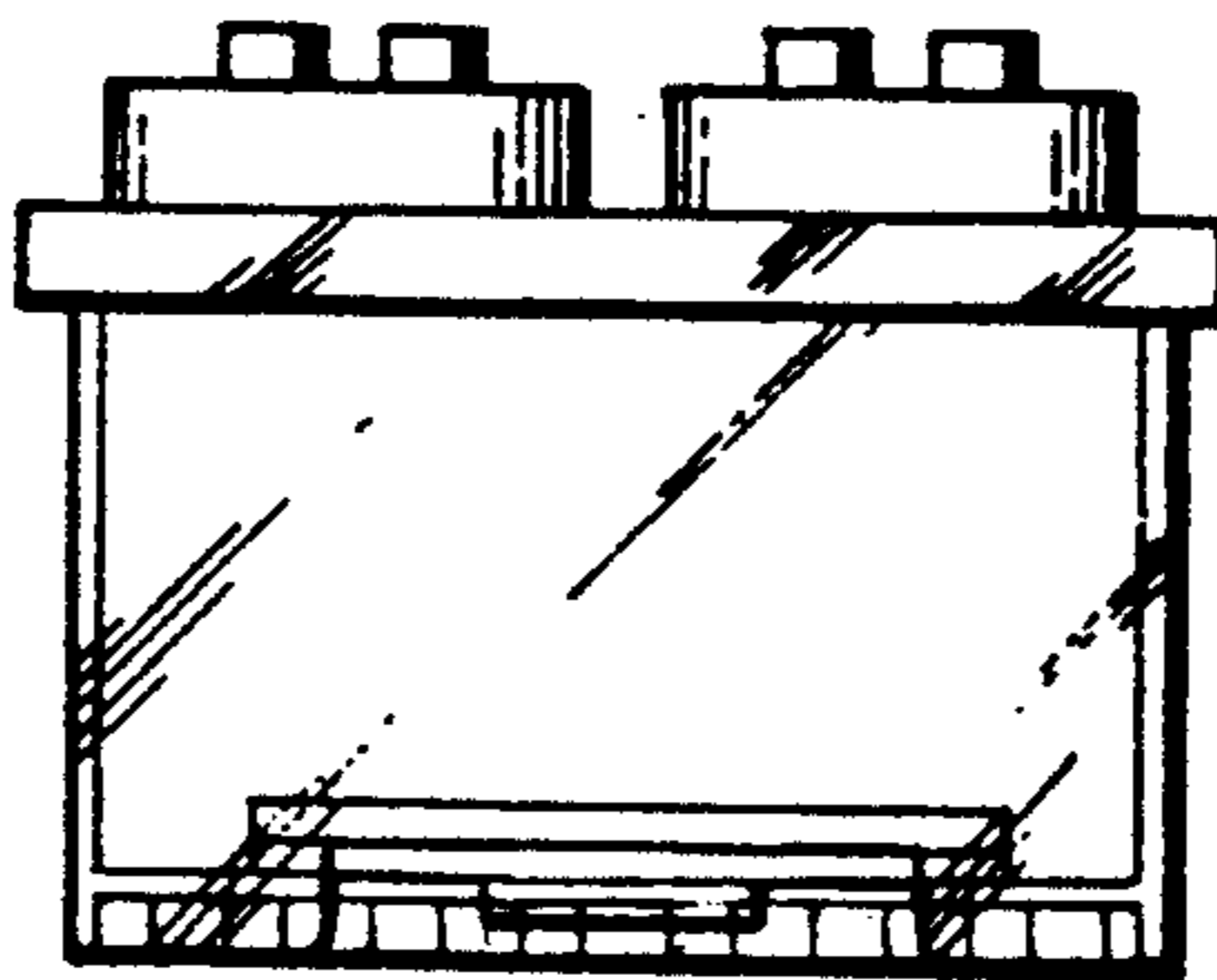


FIG. 6



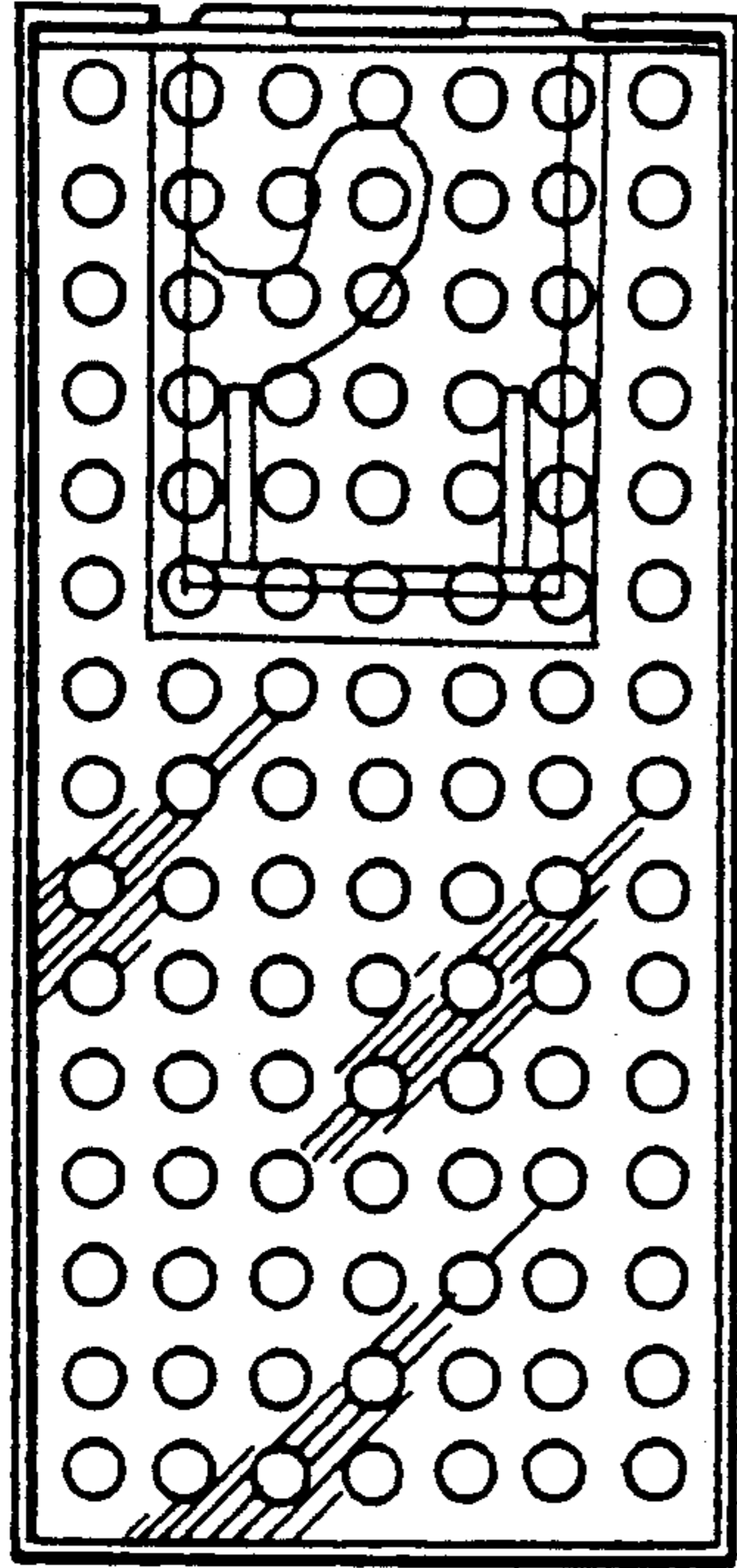


FIG. 7

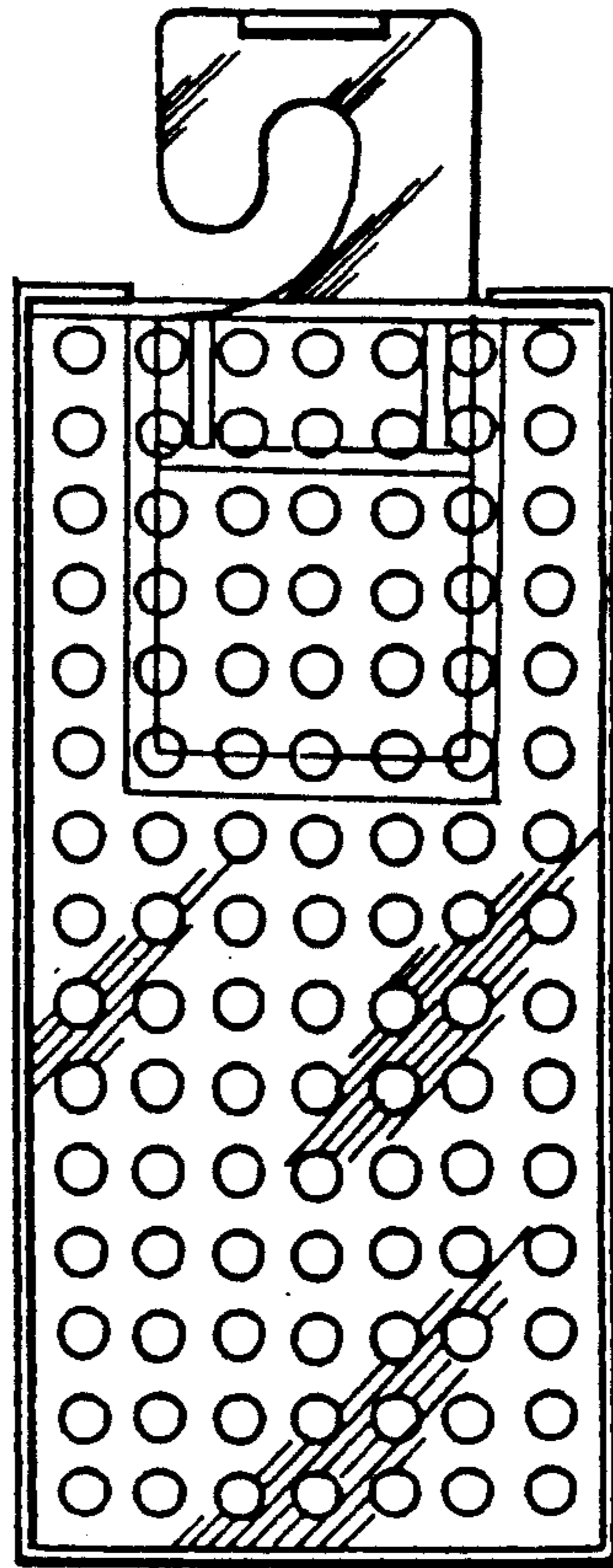


FIG. 8