



US00D343352S

United States Patent [19]

Sahr

[11] Patent Number: Des. 343,352

[45] Date of Patent: ** Jan. 18, 1994

[54] CONTAINER

[76] Inventor: Arnold Sahr, 104 N. Jefferson, Mason City, Iowa 50401

[**] Term: 14 Years

[21] Appl. No.: 840,985

[22] Filed: Feb. 25, 1992

[52] U.S. Cl. D9/307; D9/341; D3/30.1; D3/66; D3/74

[58] Field of Search D9/307, 341; D3/30.1, D3/39, 66, 74; 4/300; 206/457; D10/6

[56] References Cited

U.S. PATENT DOCUMENTS

- D. 292,774 11/1987 McGraw D9/307
- D. 293,298 12/1987 Picard et al. D9/341 X
- 3,715,549 2/1973 Kraff 4/300 X

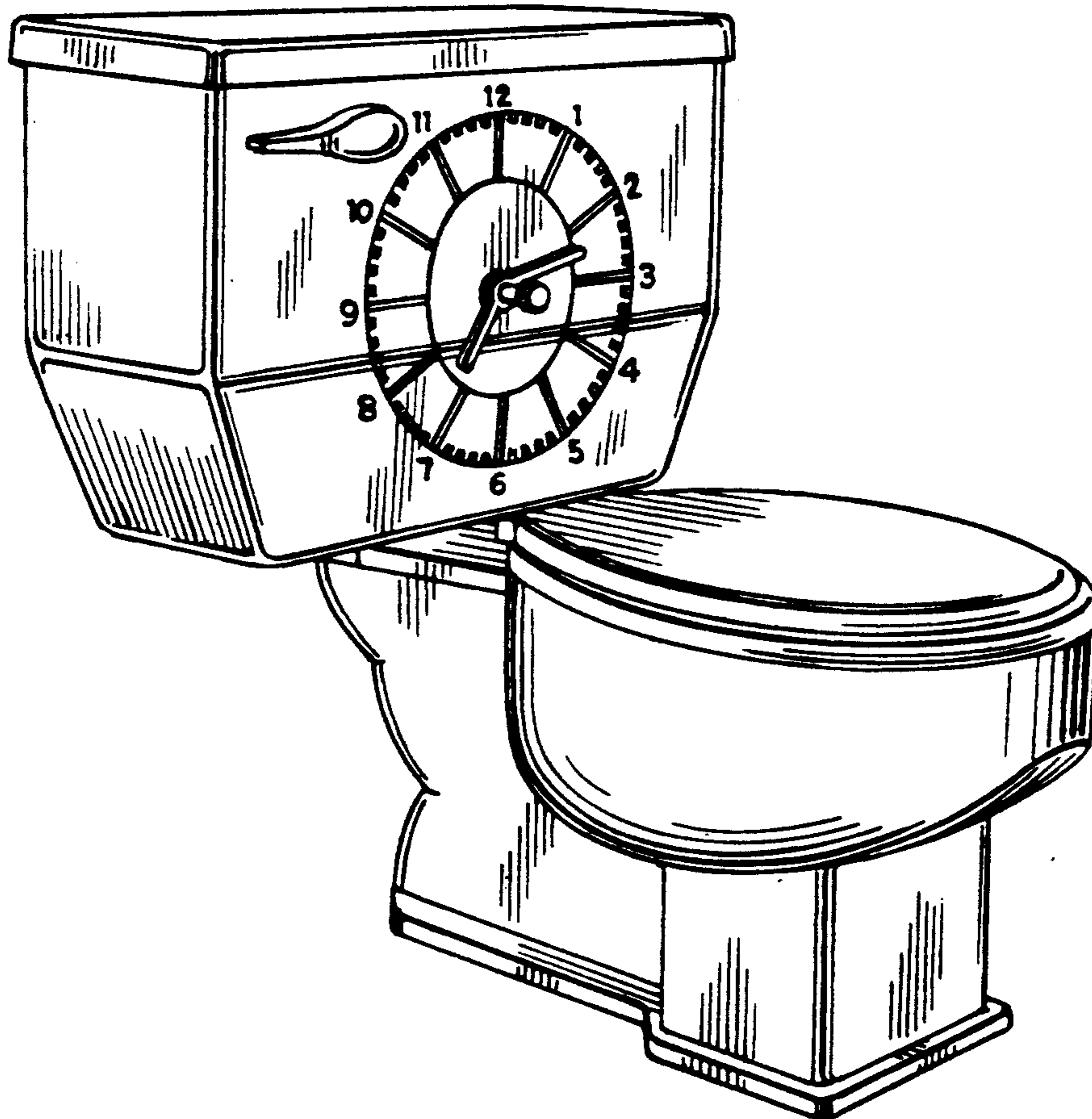
Primary Examiner—Bernard Ansher
Assistant Examiner—Mitchell Siegel
Attorney, Agent, or Firm—Jacobson, Price, Holman & Stern

[57] CLAIM

The ornamental design for a container, as shown and described.

DESCRIPTION

FIG. 1 is a left side perspective view of a container showing my new design;
 FIG. 2 is a top perspective view thereof with the lid in an open position for clarity of illustration;
 FIG. 3 is a right side elevational view of FIG. 1;
 FIG. 4 is a front elevational view of FIG. 1;
 FIG. 5 is a rear elevational view of FIG. 1;
 FIG. 6 is a top plan view of FIG. 1; and,
 FIG. 7 is a bottom plan view of FIG. 1.



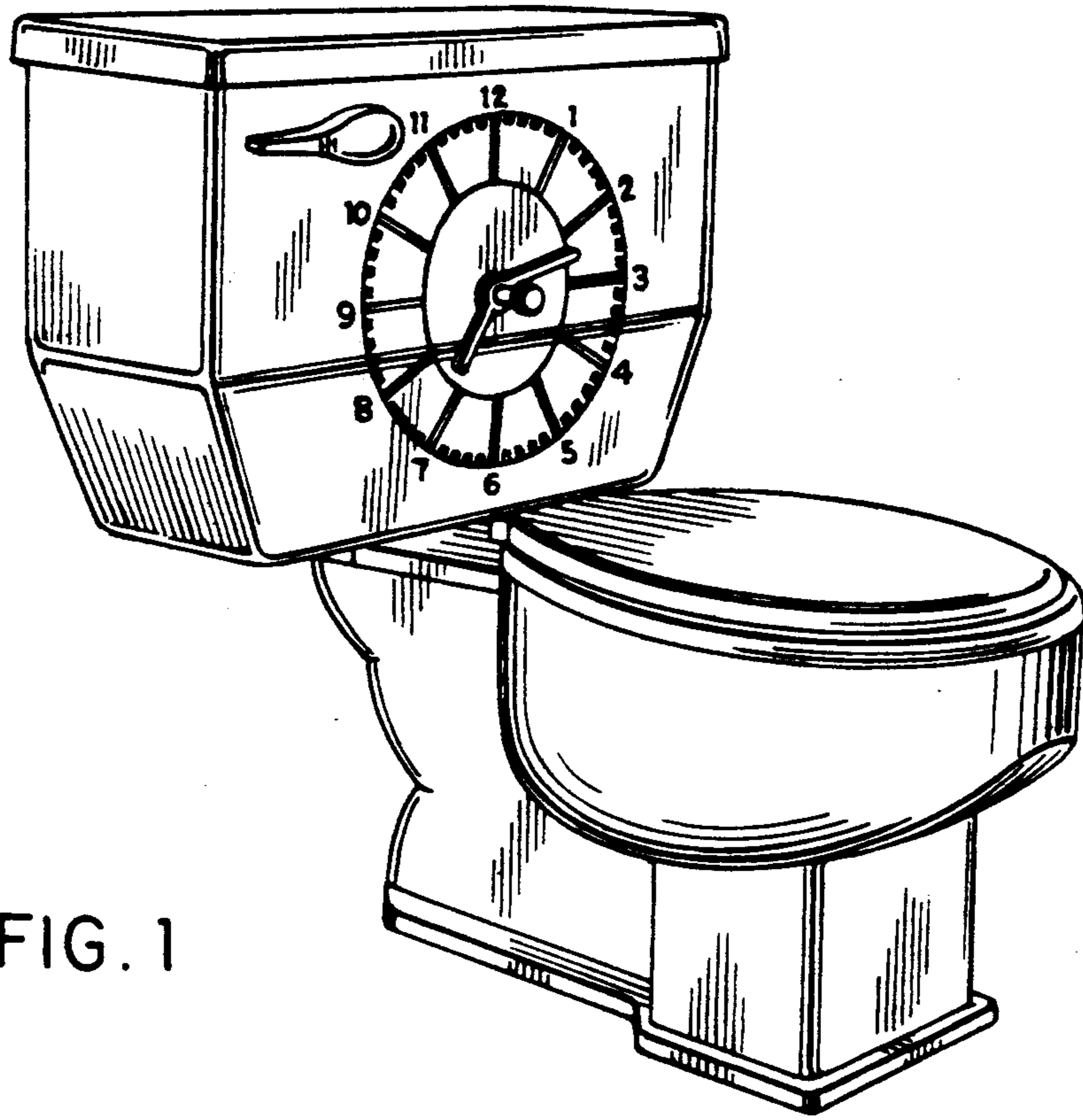


FIG. 1

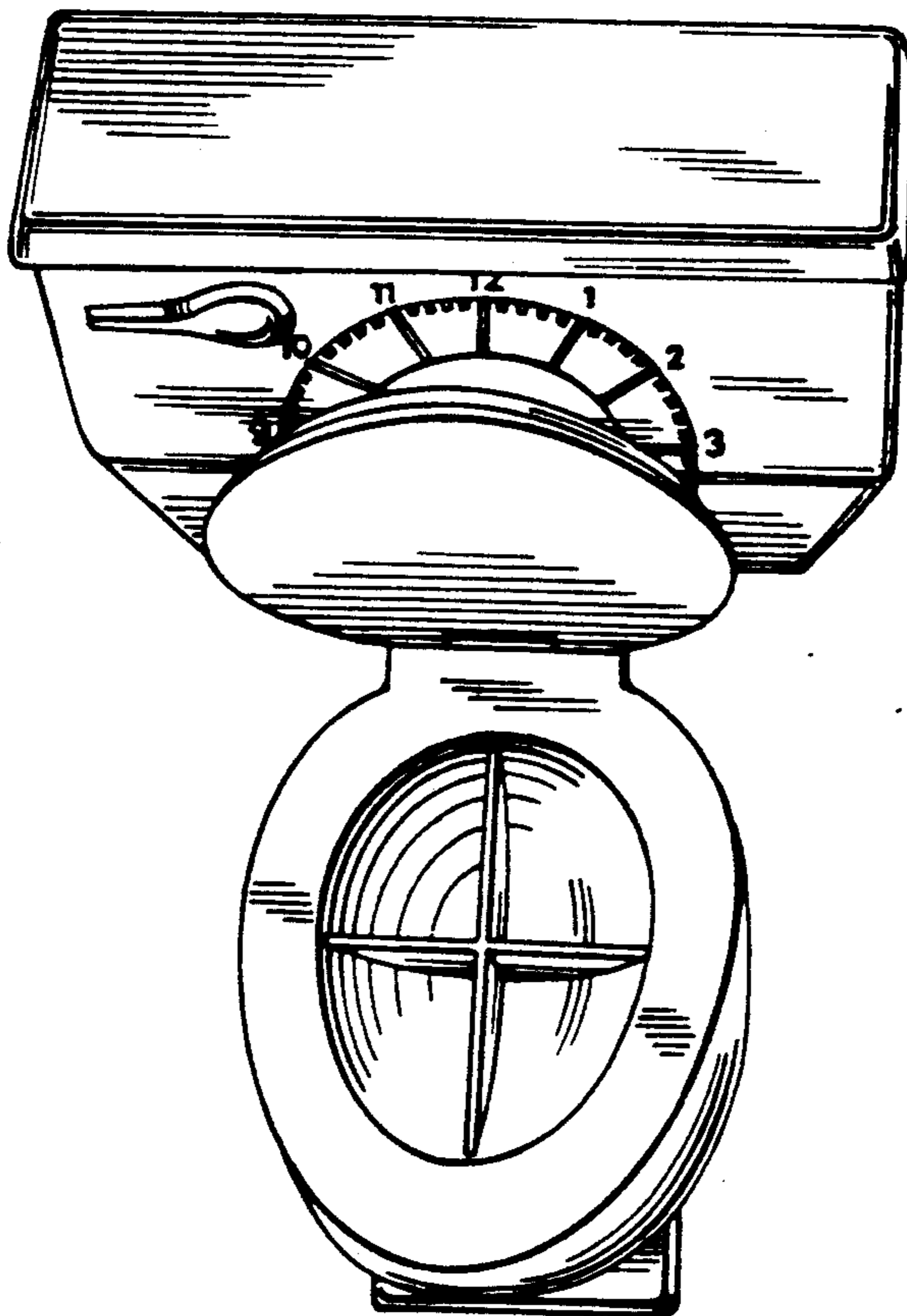


FIG. 2

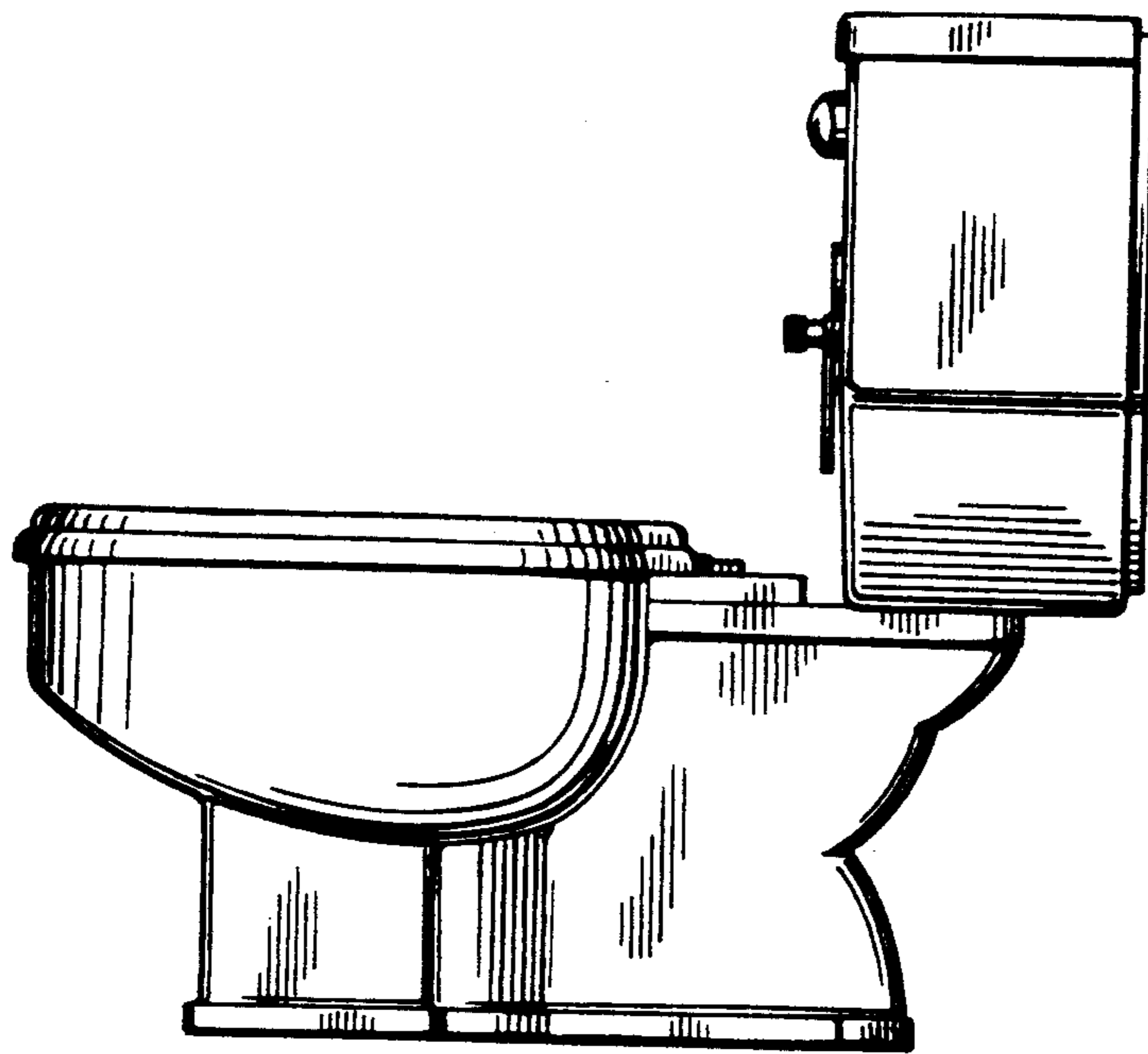


FIG. 3

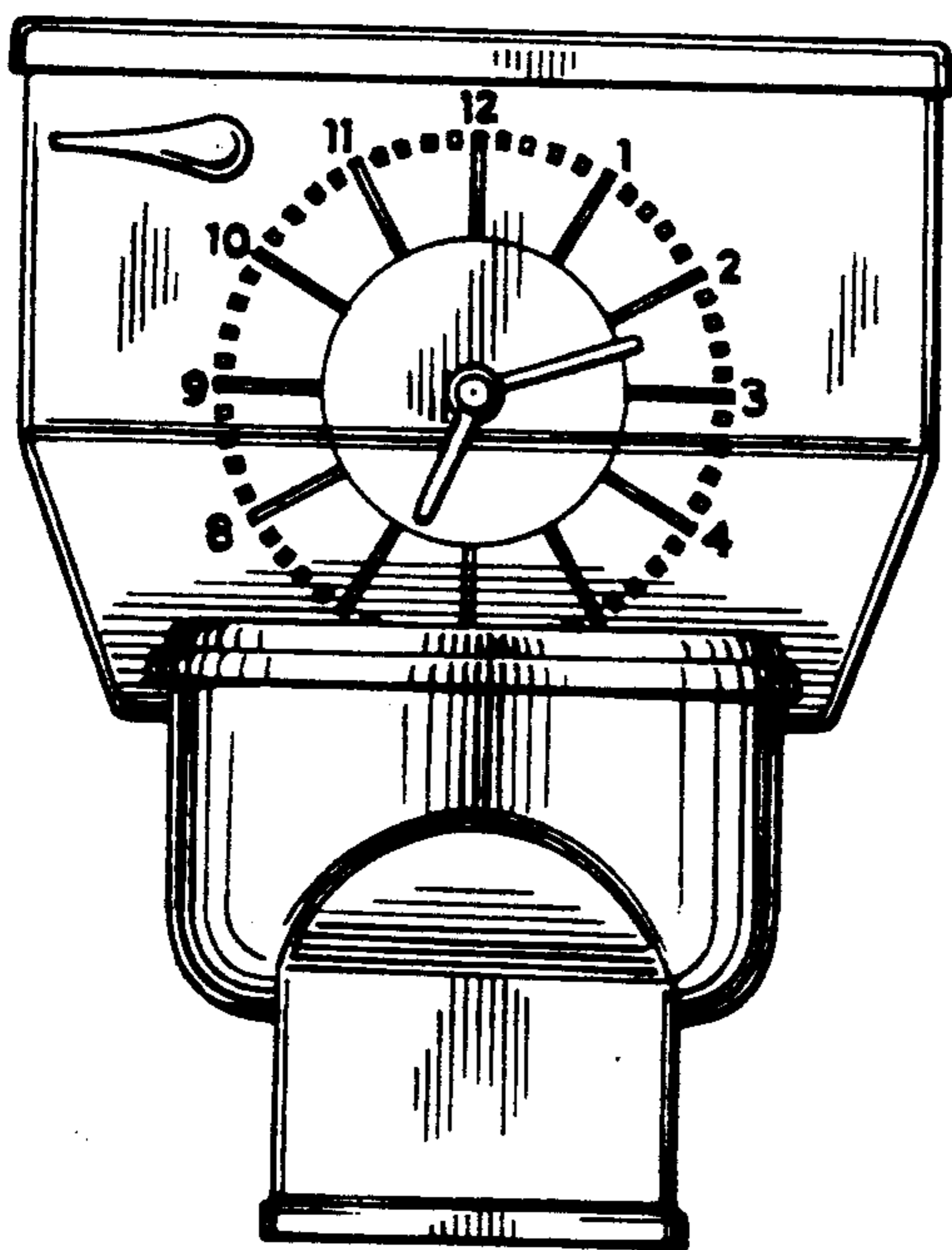


FIG. 4

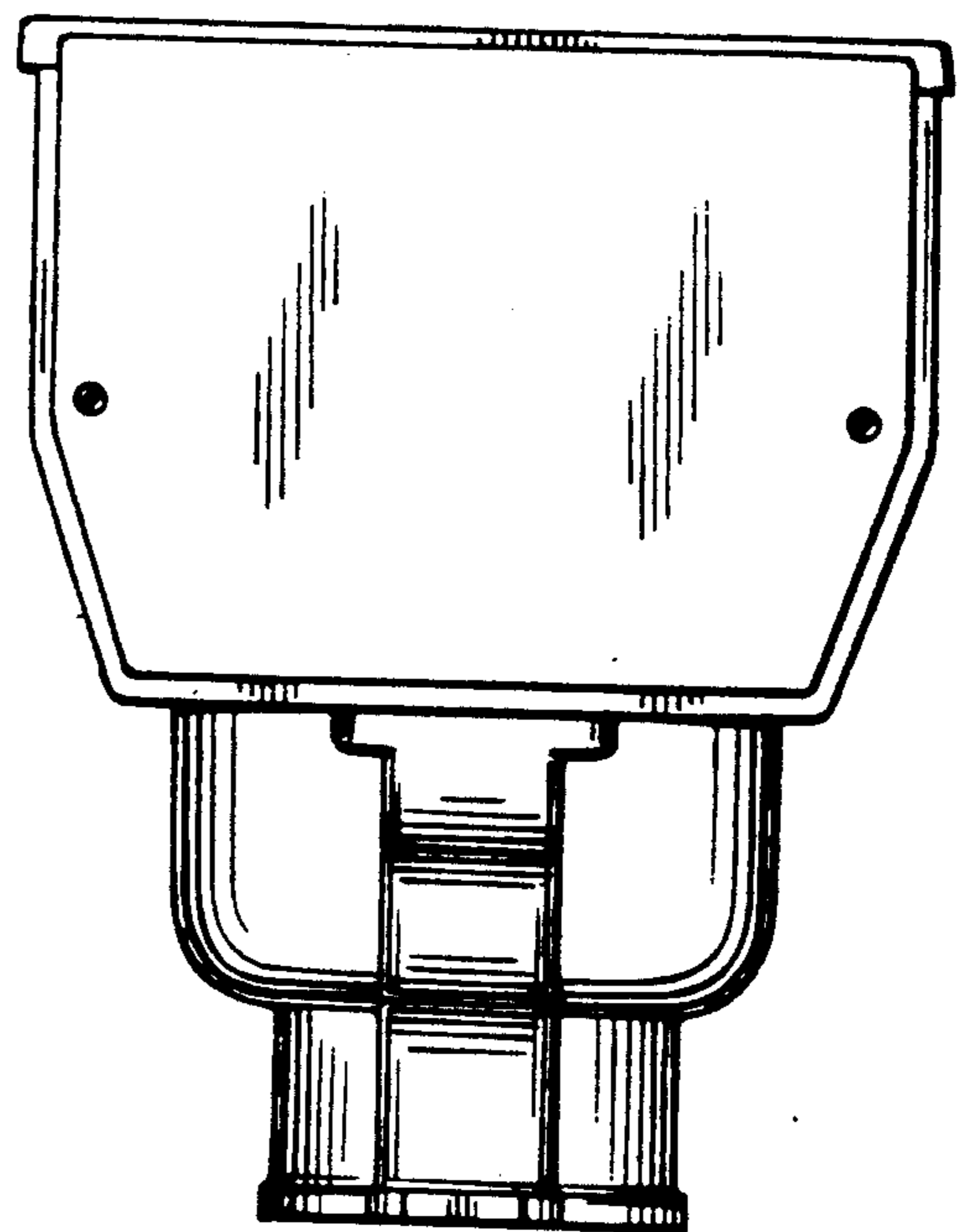


FIG. 5

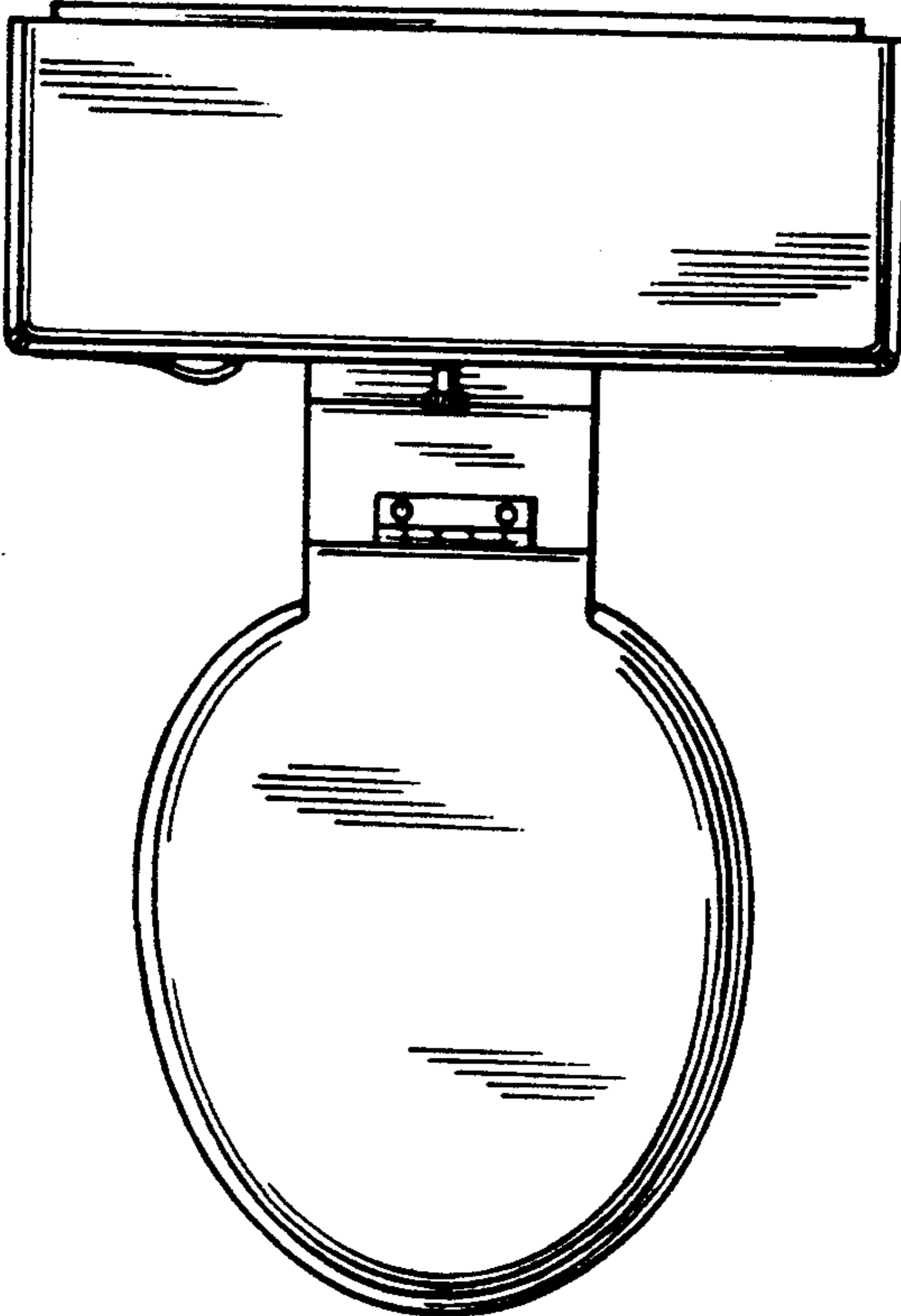


FIG. 6

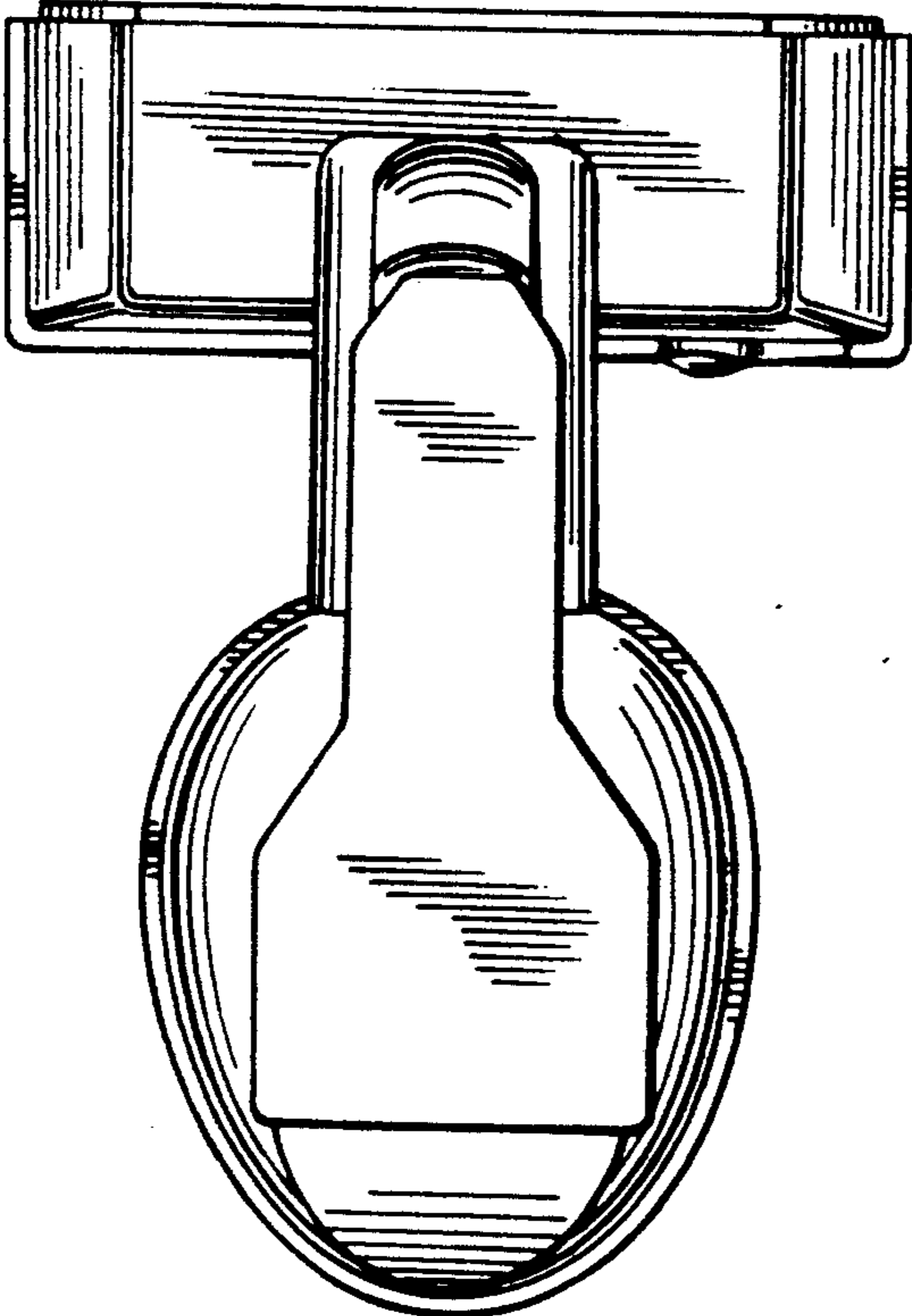


FIG. 7