



US00D343349S

United States Patent [19]

[11] Patent Number: **Des. 343,349**

Byrd, Jr.

[45] Date of Patent: **** Jan. 18, 1994**

[54] **U-LOCK SPACER BARRIER**

[76] Inventor: **Richard H. Byrd, Jr.**, 843 Capp St., San Francisco, Calif. 94119

[**] Term: **14 Years**

[21] Appl. No.: **744,009**

[22] Filed: **Aug. 12, 1991**

[52] U.S. Cl. **D8/343**

[58] Field of Search **D8/354, 330-331, D8/343, 382; 70/431, 461, 466, 51, 54-56; 292/DIG. 54; 248/67.7, 74.1, 74.3; 24/339; 280/276, 280; D12/114, 118**

[56] **References Cited**

U.S. PATENT DOCUMENTS

5,076,526 12/1991 Zane 24/339 X

FOREIGN PATENT DOCUMENTS

0079798 5/1983 European Pat. Off. 70/466

OTHER PUBLICATIONS

Zierick Mfg. Corp. Catalogue (1980) p. 61, Jumper Lug #582.

Primary Examiner—Brian N. Vinson
Attorney, Agent, or Firm—Haverstock, Medlen & Carroll

[57] **CLAIM**

The ornamental design for a U-lock spacer barrier, as shown and described.

DESCRIPTION

FIG. 1 is a top, front, and right side perspective view of a U-lock spacer barrier showing my new design, the fragmentary broken-line disclosure of a portion of a bicycle and post being for illustrative purposes only and forming no part of the claimed design;

FIG. 2 is an enlarged top, front, and right side elevational view thereof;

FIG. 3 is an enlarged top plan view thereof, the bottom being identical in appearance;

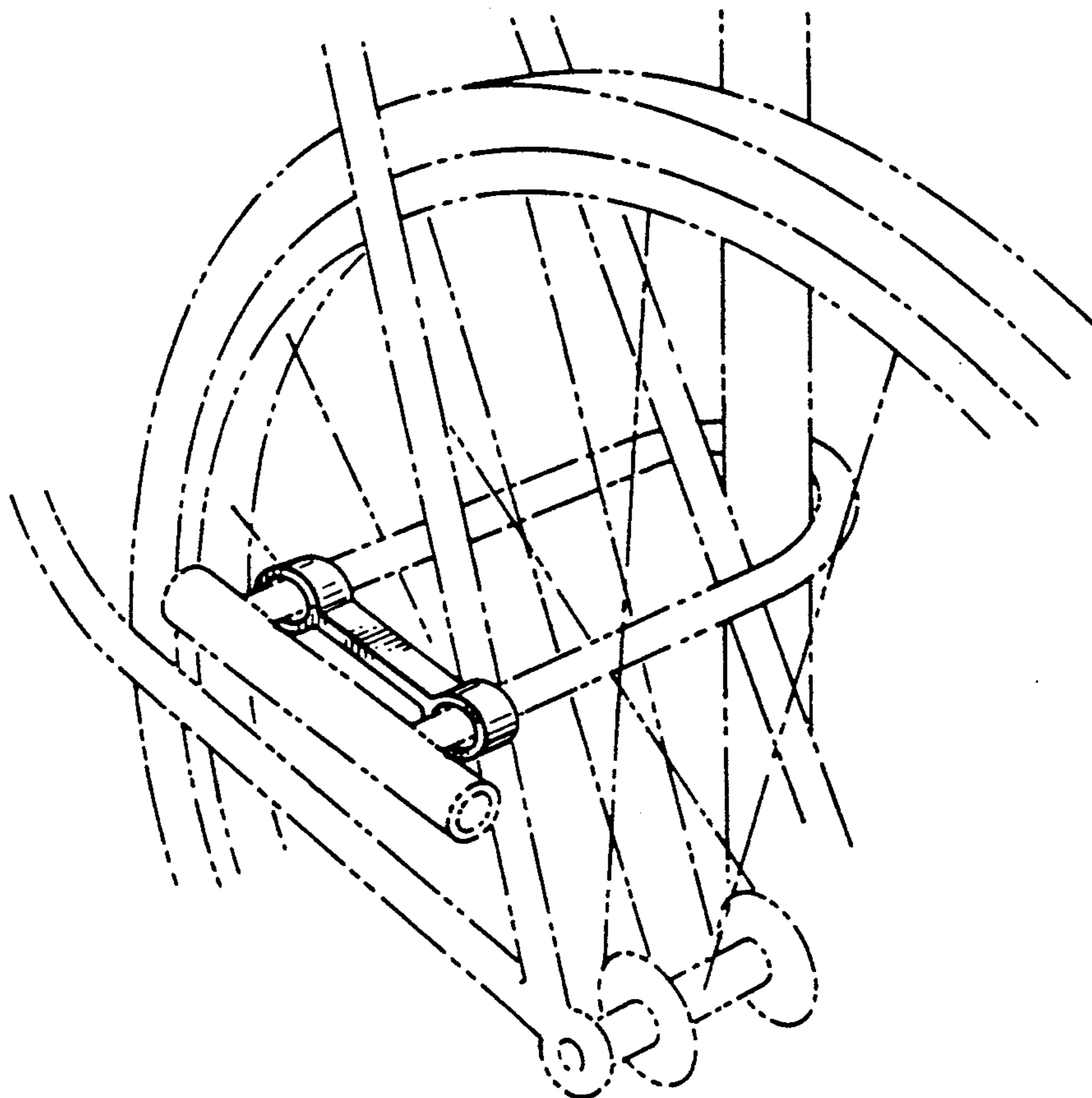
FIG. 4 is an enlarged front elevational view thereof, the rear being identical in appearance;

FIG. 5 is an enlarged side elevational view thereof, the opposite side being identical in appearance;

FIG. 6 is an enlarged front elevational view of a second embodiment thereof, the only difference residing in the appearances of the ends;

FIG. 7 is an enlarged front elevational view of a third embodiment thereof, the only difference residing in the appearances of the ends; and,

FIG. 8 is an enlarged front elevational view of a fourth embodiment thereof, the only difference residing in the appearances of the ends.



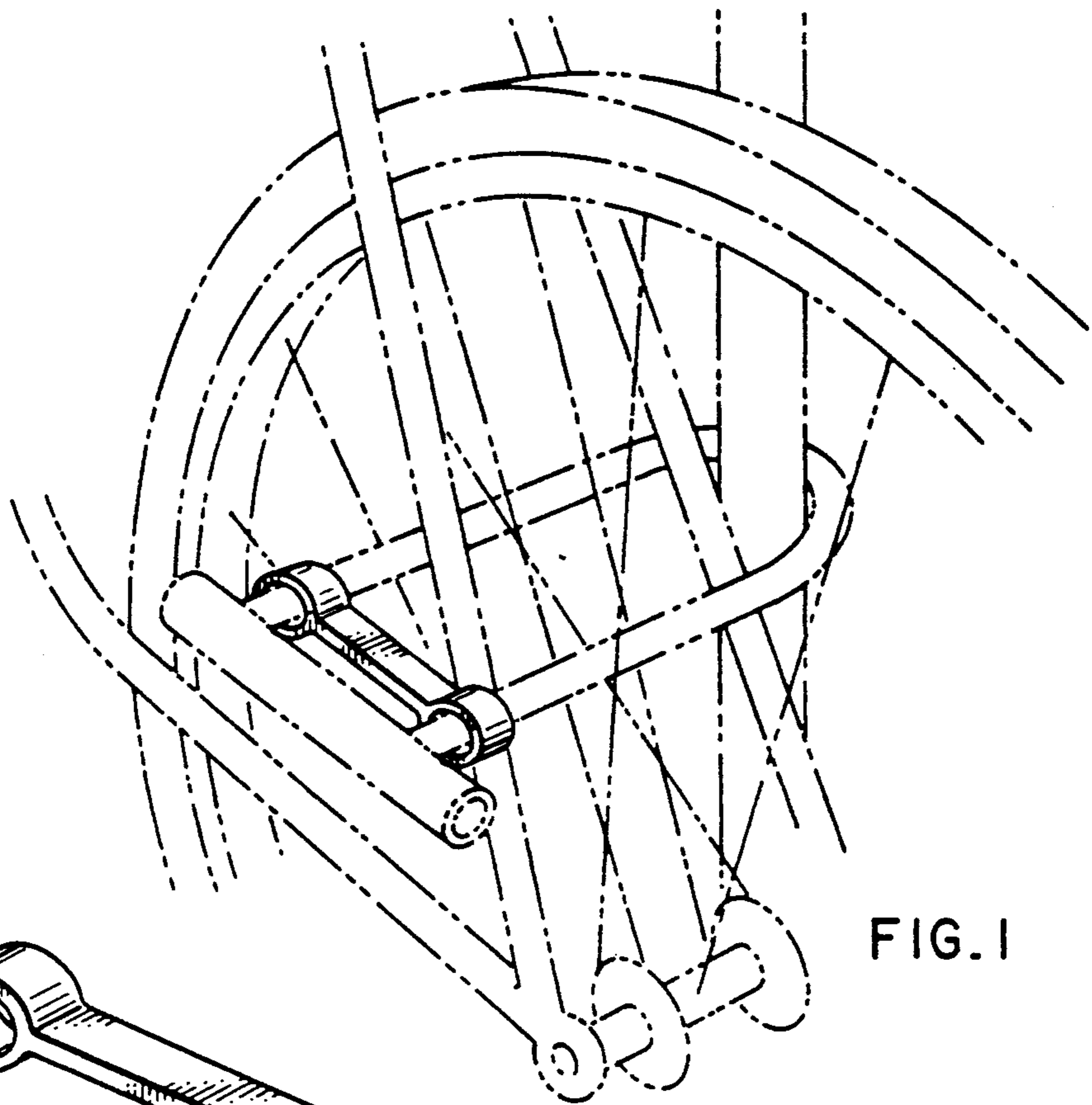


FIG. 1

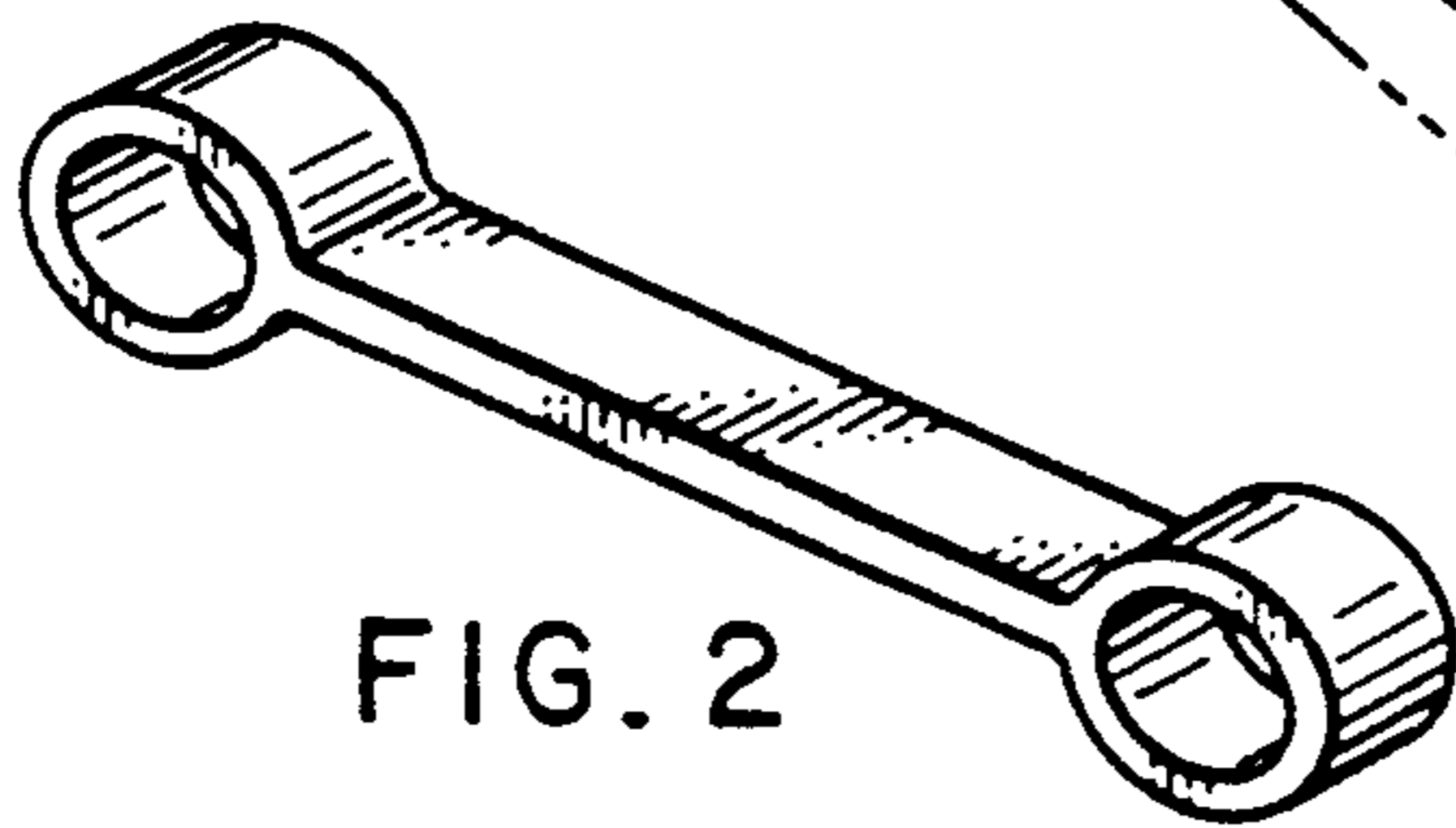


FIG. 2



FIG. 3

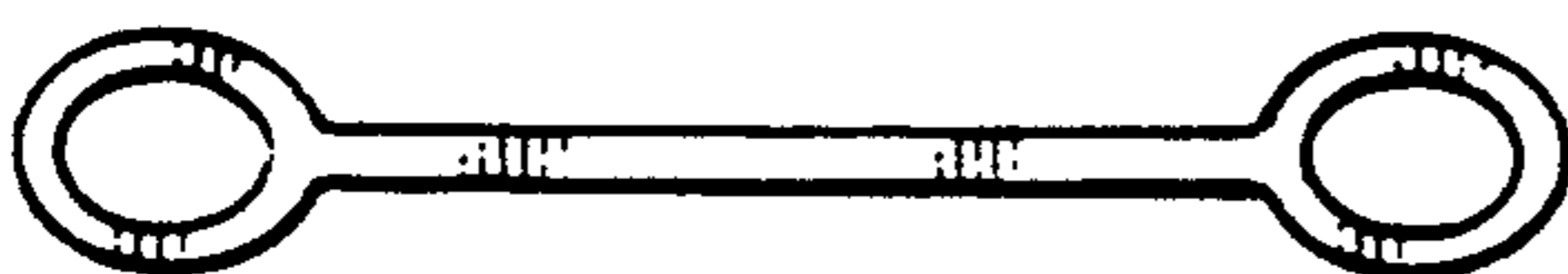


FIG. 4

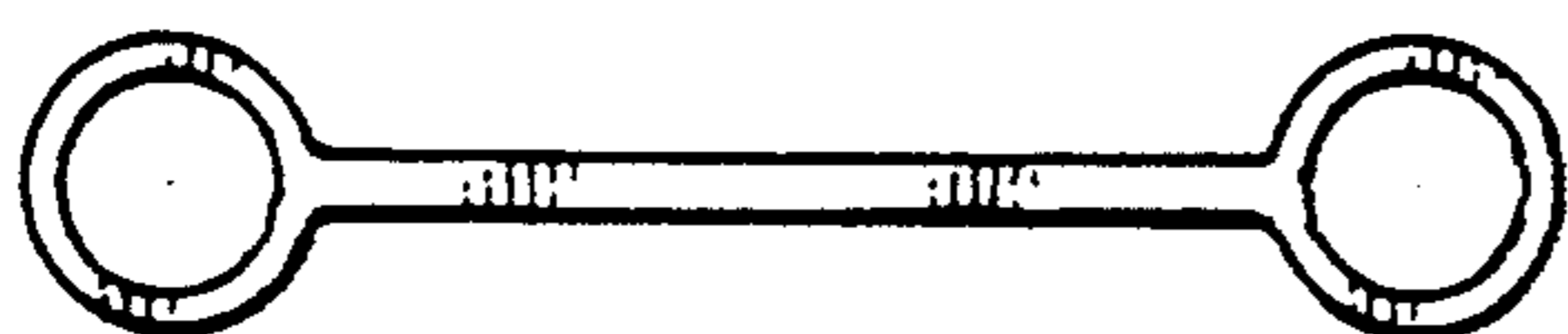


FIG. 6

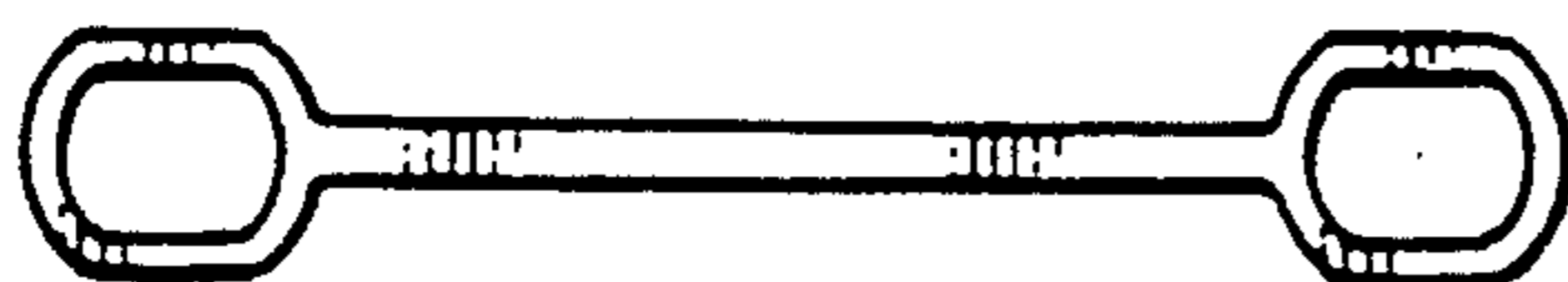


FIG. 7

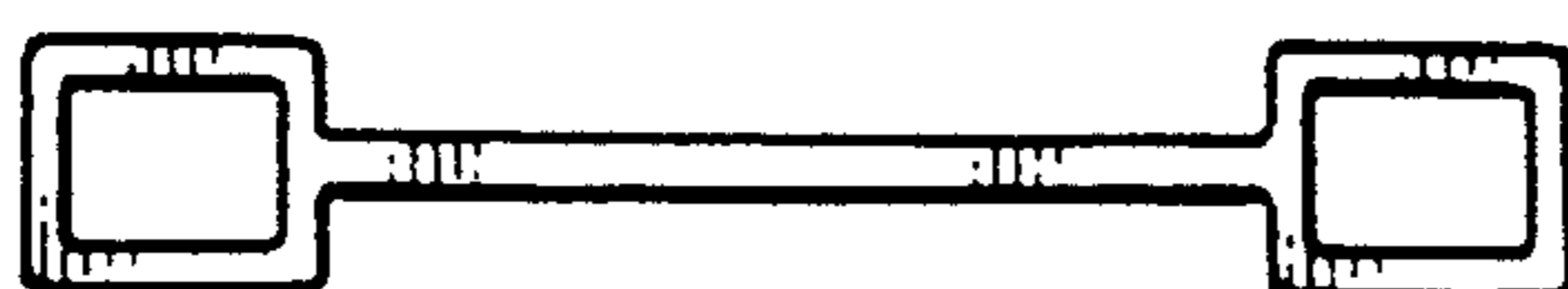


FIG. 8

UNITED STATES PATENT AND TRADEMARK OFFICE
CERTIFICATE OF CORRECTION

PATENT NO. : Des 343,349
DATED : January 18, 1994
INVENTOR(S) : RICHARD H. BYRD, JR.

It is certified that error appears in the above-identified patent and that said Letters Patent is hereby corrected as shown below:

In the drawings, Figure 5 should be added and should appear as follows:



FIG. 5

Signed and Sealed this
Ninth Day of August, 1994



BRUCE LEHMAN

Attest:

Attesting Officer

Commissioner of Patents and Trademarks