



US00D343341S

United States Patent [19]

[11] Patent Number: **Des. 343,341**

Liner

[45] Date of Patent: **** Jan. 18, 1994**

[54] CAN OPENER

D. 329,789	9/1992	Bartlett	D8/33
1,008,932	11/1911	Wauther	30/427
1,534,932	4/1925	Edlund	30/416
2,636,259	4/1953	Farandatos	.	
3,045,617	7/1962	Dieter	.	

[76] Inventor: **Reynold J. Liner**, P.O. Box 197,
Dulac, La. 70353-0197

[**] Term: **14 Years**

Primary Examiner—Bernard Ansher
Assistant Examiner—R. Barkai
Attorney, Agent, or Firm—Terry M. Gernstein

[21] Appl. No.: **705,176**

[22] Filed: **May 24, 1991**

[57] **CLAIM**

[52] U.S. Cl. **D8/37**

[58] Field of Search **D8/18, 33-34,**
D8/37, 39, 40-43; 81/3.4, 3.07, 3.08, 3.09, 3.15,
3.29, 3.35, 3.36, 3.37, 3.41, 3.42, 3.43, 3.48, 3.55,
3.57; 7/151-152, 155-156; 30/416, 420, 422,
427, 450

The ornamental design for a can opener, as shown and described.

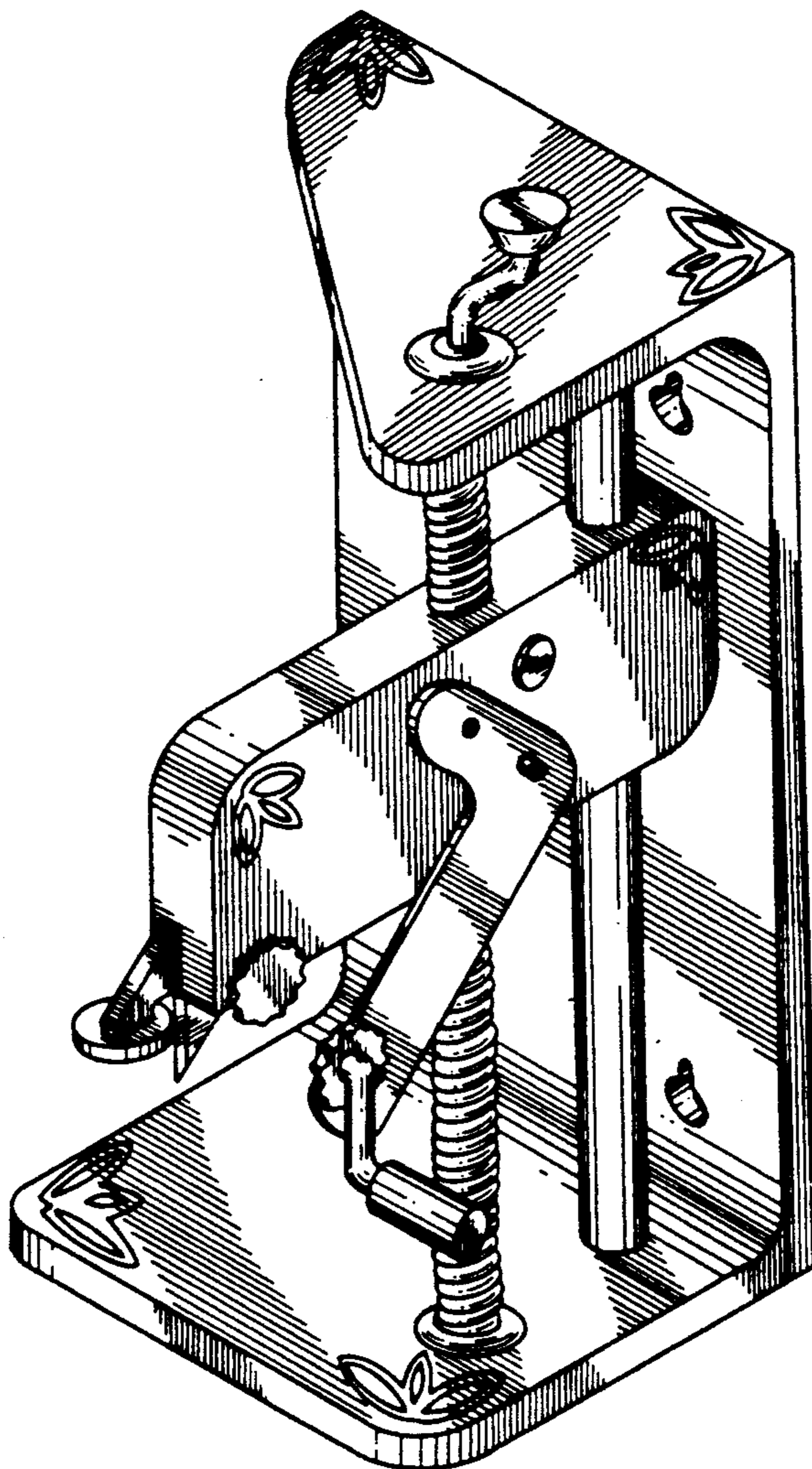
DESCRIPTION

FIG. 1 is a perspective view of the can opener embodying the design of the present invention; FIG. 2 is a front elevational view thereof; FIG. 3 is rear elevational view thereof; FIG. 4 is a side elevational view thereof; FIG. 5 is a side elevational view thereof; FIG. 6 is a top plan view thereof; and, FIG. 7 is a bottom view thereof.

[56] **References Cited**

U.S. PATENT DOCUMENTS

D. 167,251	7/1952	Borland	D8/33
D. 175,311	8/1955	Lehmann	D8/39
D. 186,107	9/1959	Landry	D8/37



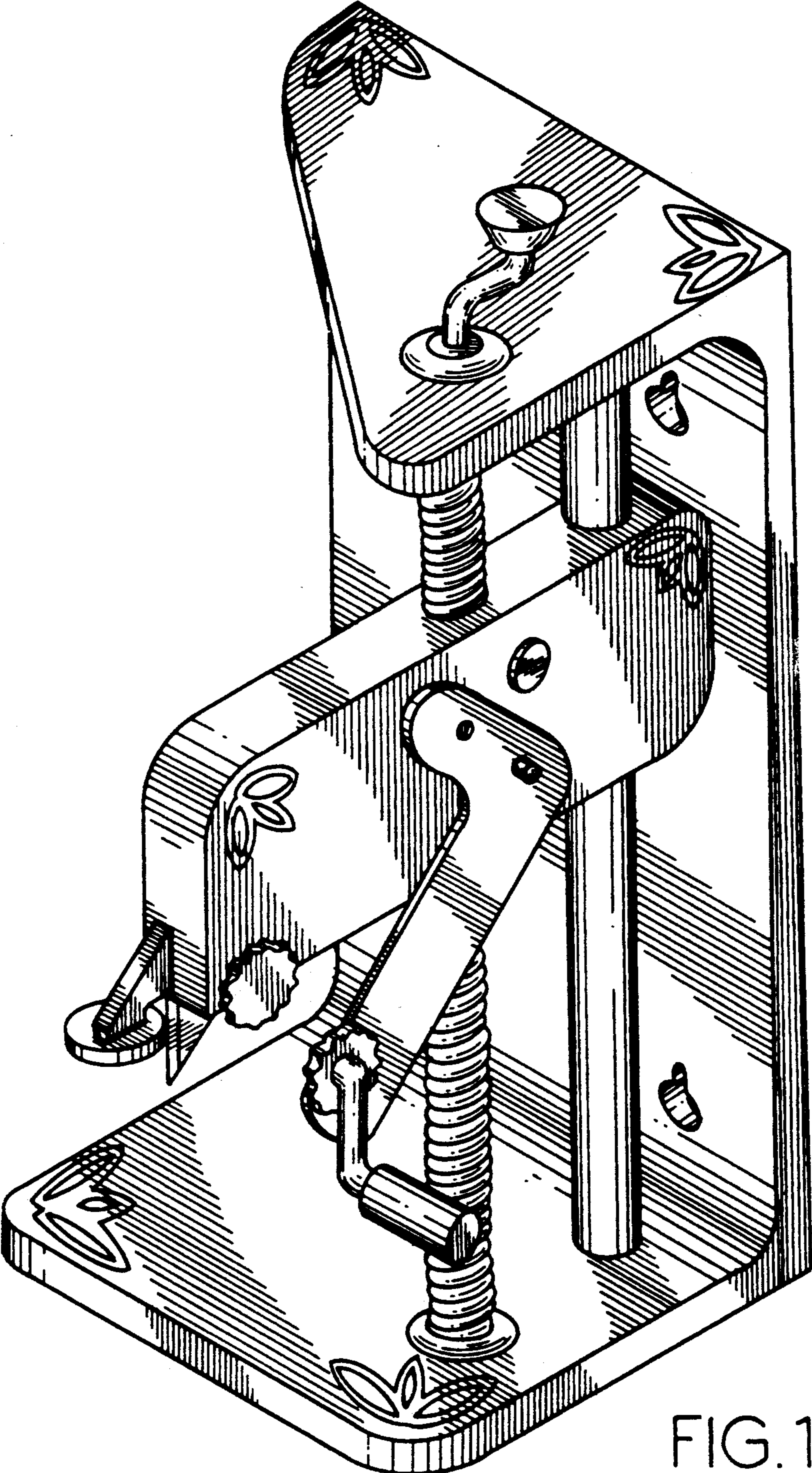


FIG. 1.

FIG. 4.

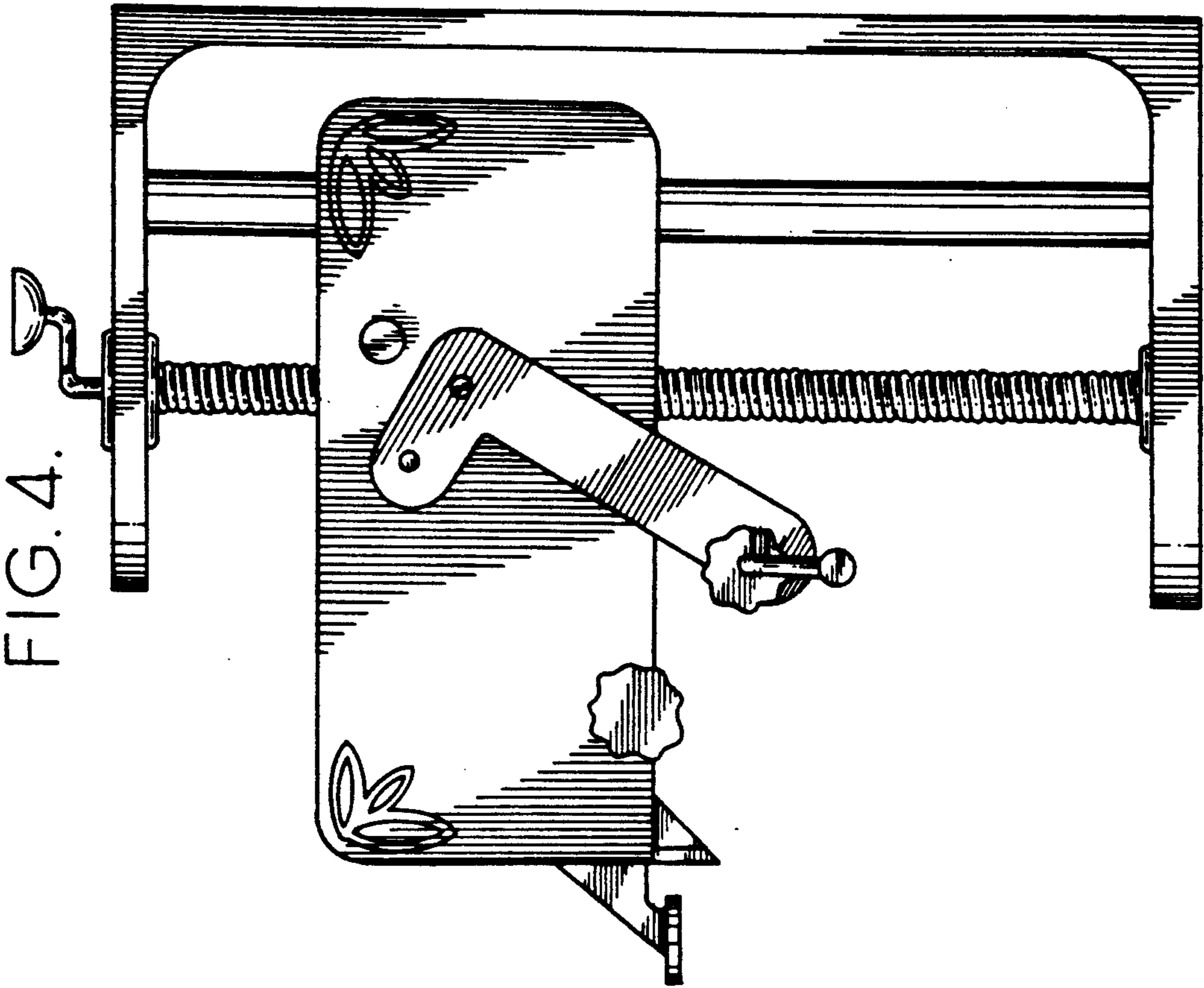


FIG. 2.

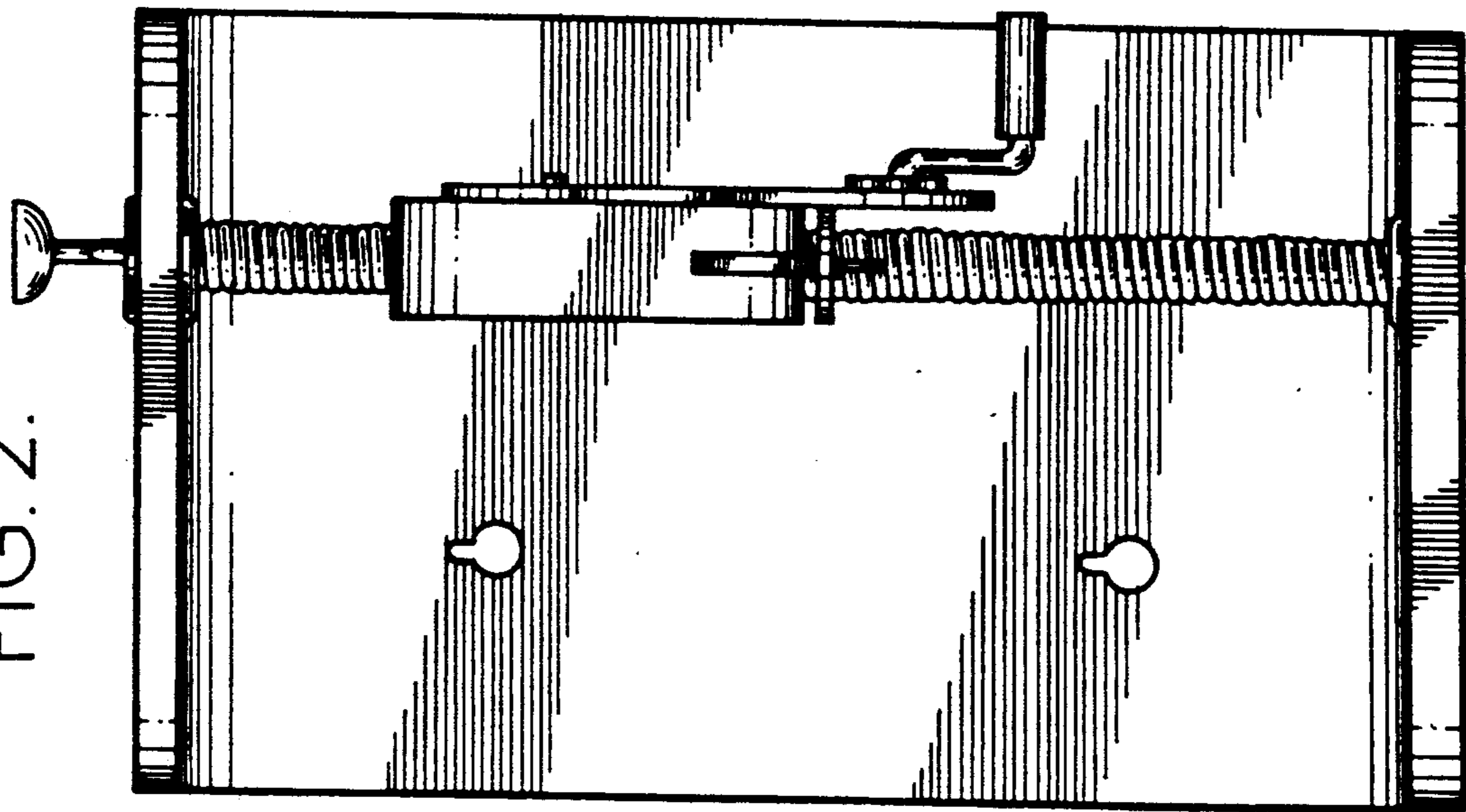


FIG. 5.

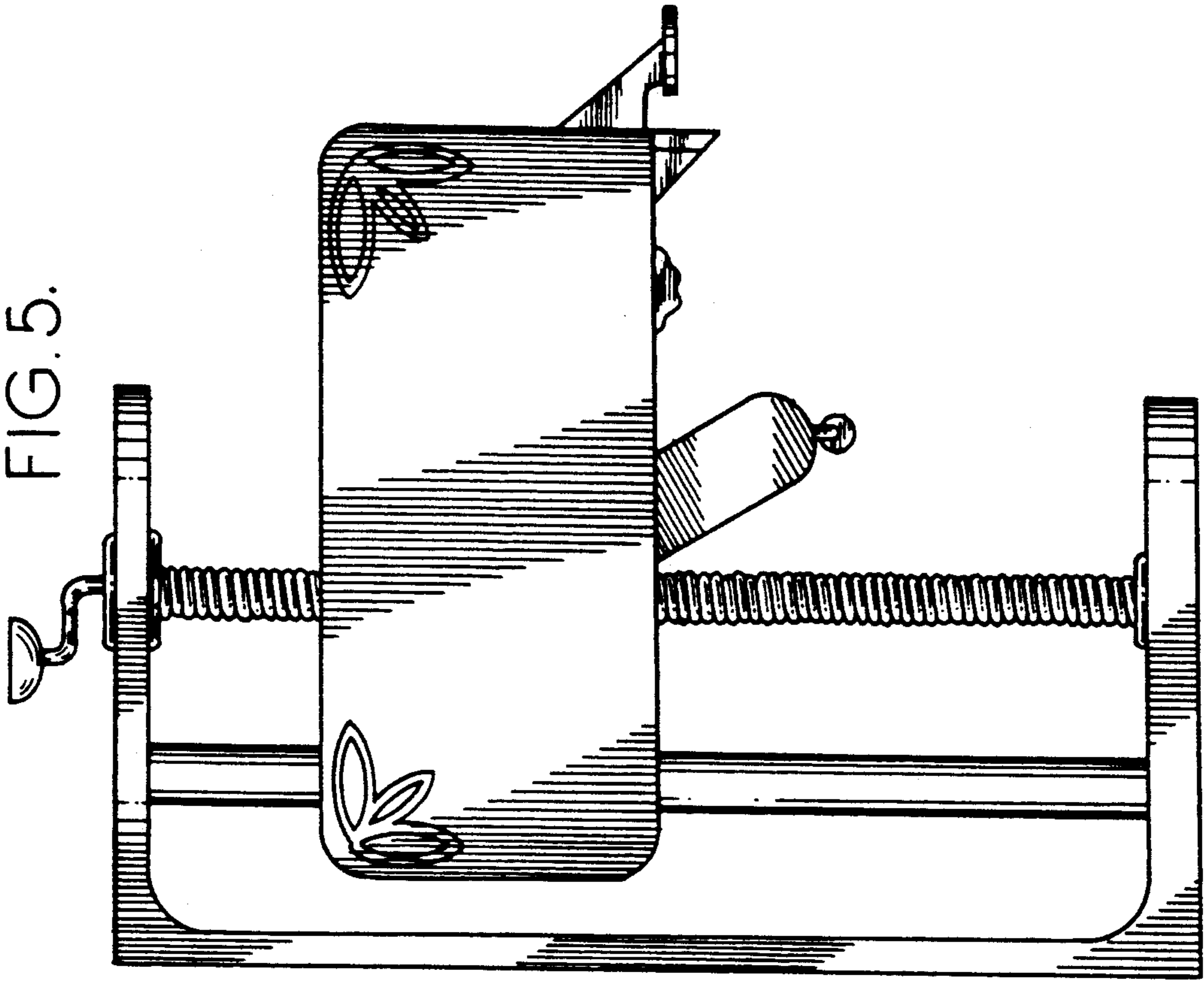
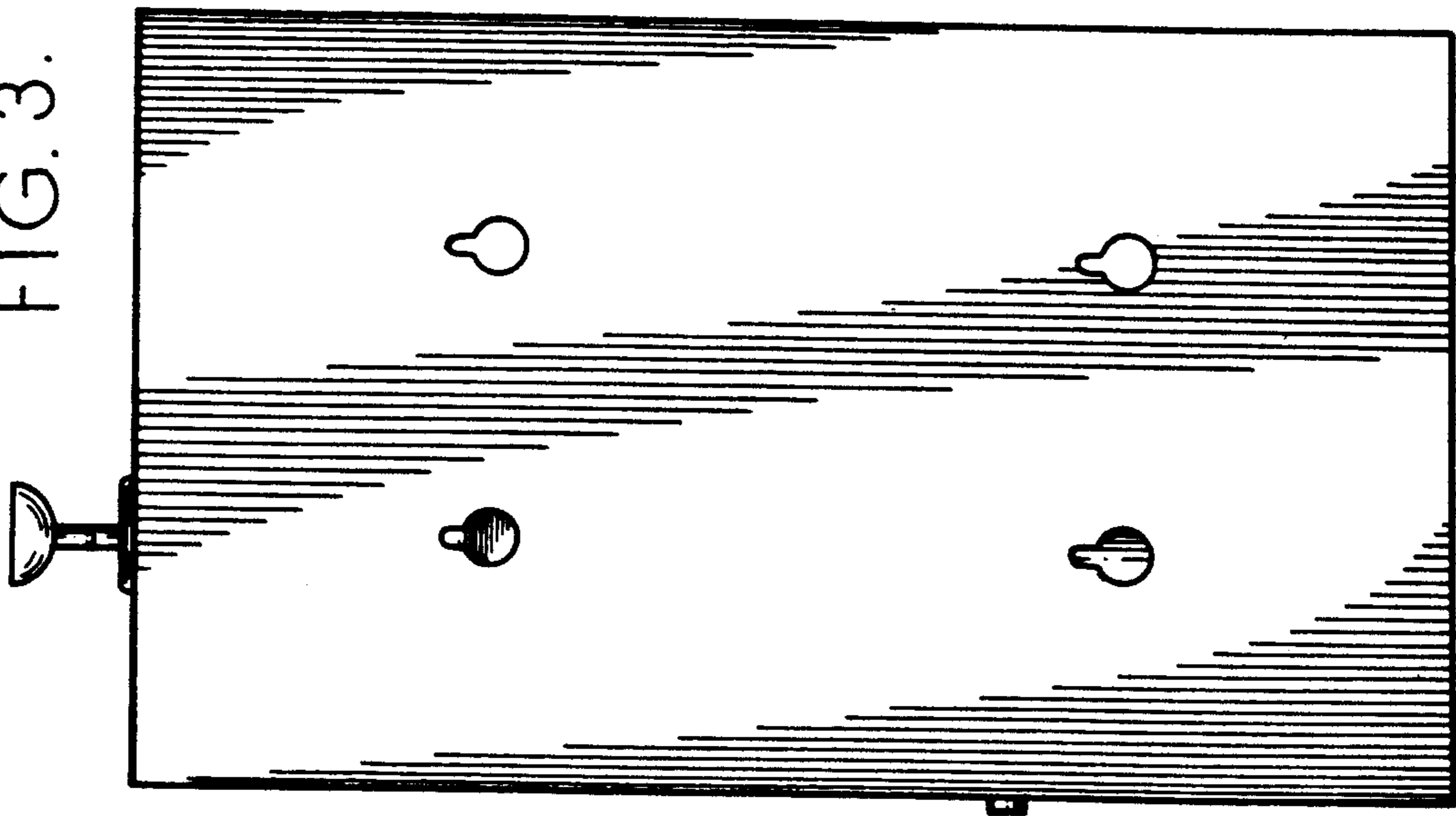


FIG. 3.



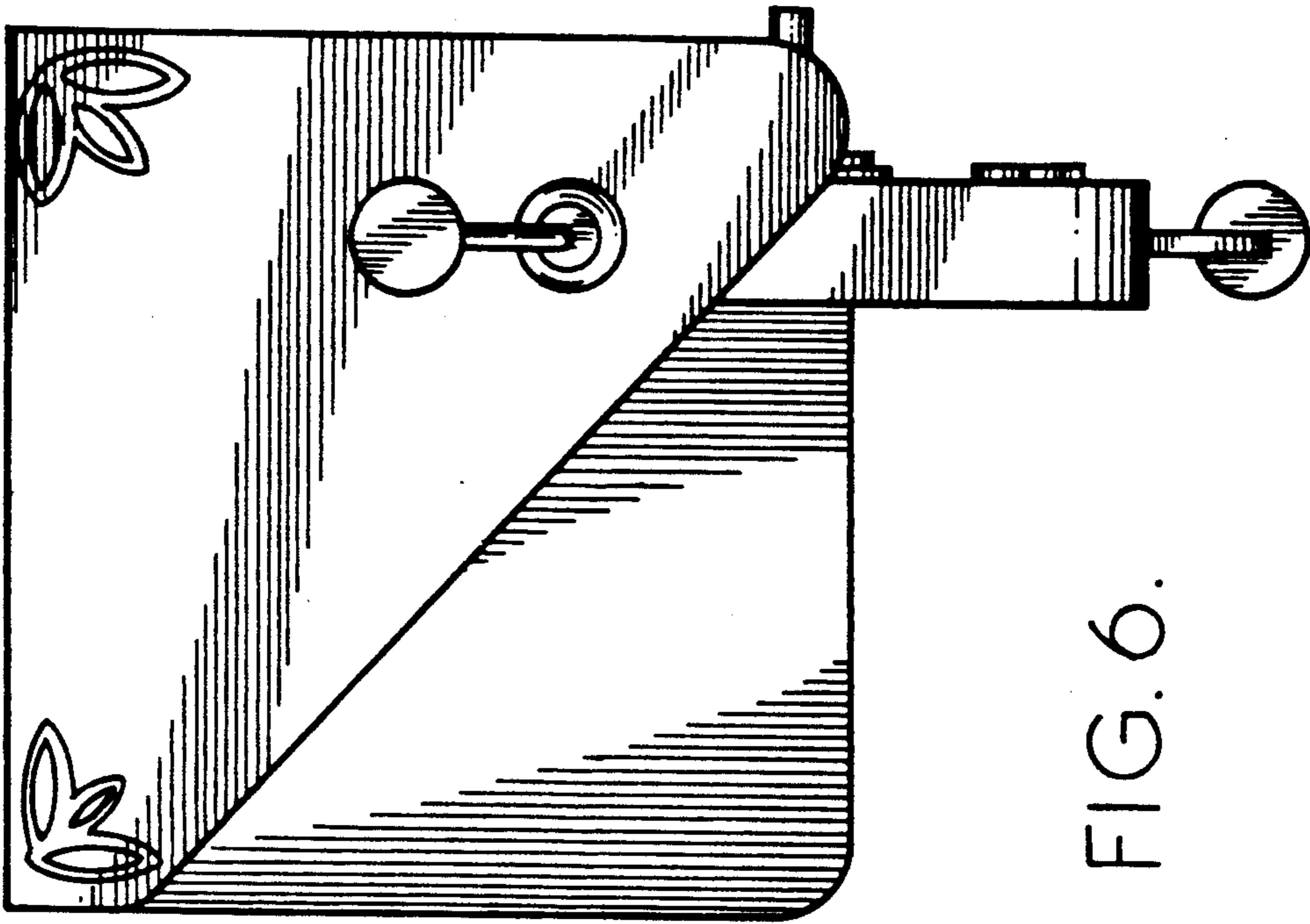


FIG. 6.

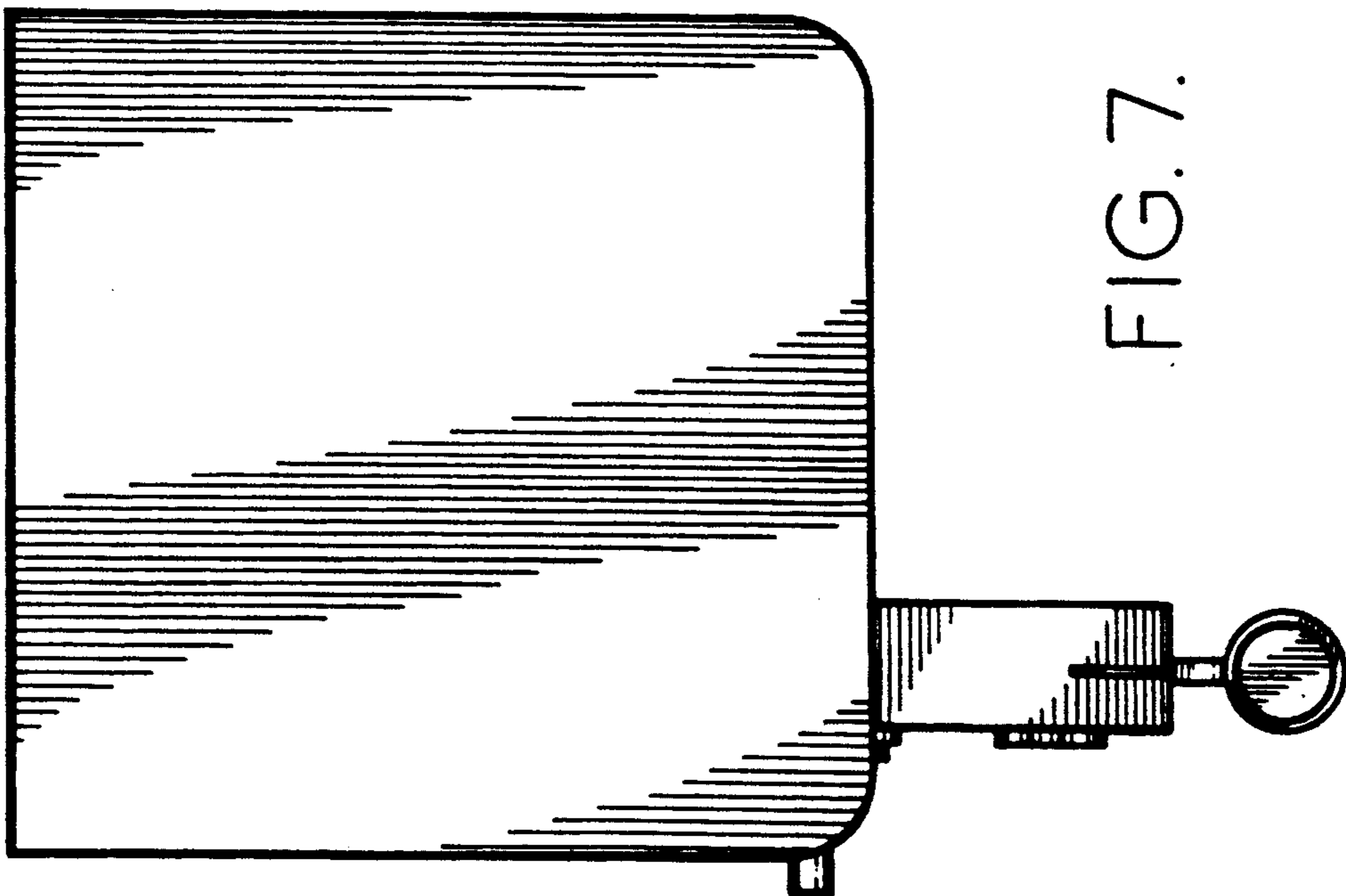


FIG. 7.