



US00D343340S

# United States Patent [19]

[11] Patent Number: Des. 343,340

Frye, Jr. et al.

[45] Date of Patent: \*\* Jan. 18, 1994

## [54] STORAGE CONTAINER

[75] Inventors: Elam C. Frye, Jr., Flint; Fred M. Gore, Carrollton, both of Tex.

[73] Assignee: Frye International Corporation, Longview, Tex.

[\*\*] Term: 14 Years

[21] Appl. No.: 877,590

[22] Filed: May 1, 1992

[52] U.S. Cl. .... D7/629

[58] Field of Search ..... D7/538-549, D7/601, 629, 360; D9/423, 430; 220/352, 353, 380

## [56] References Cited

### U.S. PATENT DOCUMENTS

- D. 248,357 7/1978 Daenen ..... D7/542 X
- D. 269,313 6/1983 Swett et al. .... D7/541 X
- 4,819,824 4/1989 Longbottom et al. .... D7/629 X

Primary Examiner—Terry A. Wallace  
Attorney, Agent, or Firm—L. Dan Tucker

## [57] CLAIM

The ornamental design for storage container, as shown and described.

## DESCRIPTION

FIG. 1 is a perspective view of the storage container showing our new design;

FIG. 2 is a front elevational view thereof, it being understood that the back elevational view is a mirror image thereof;

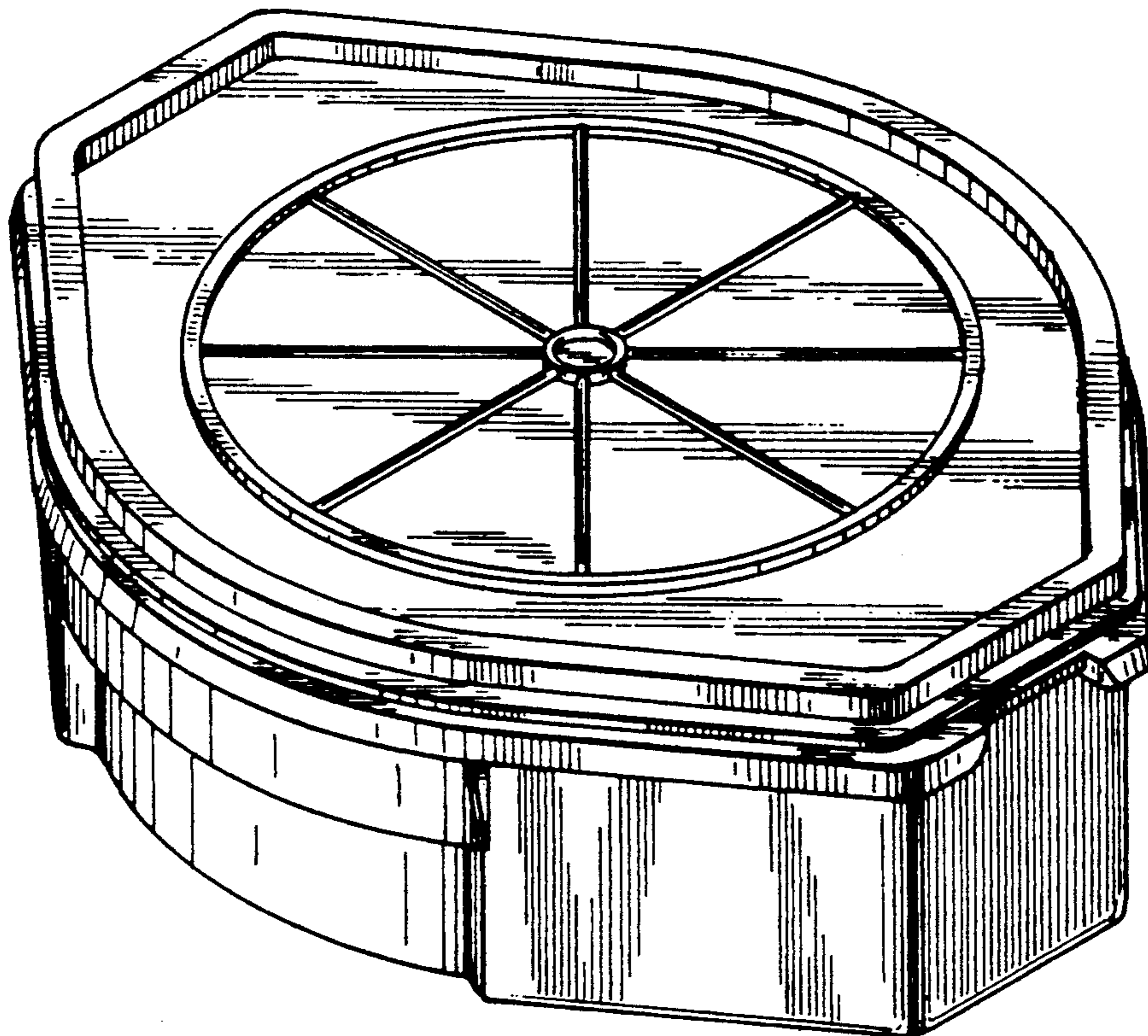
FIG. 3 is a side elevational view thereof, it being understood that the opposite side elevational view is a mirror image thereof;

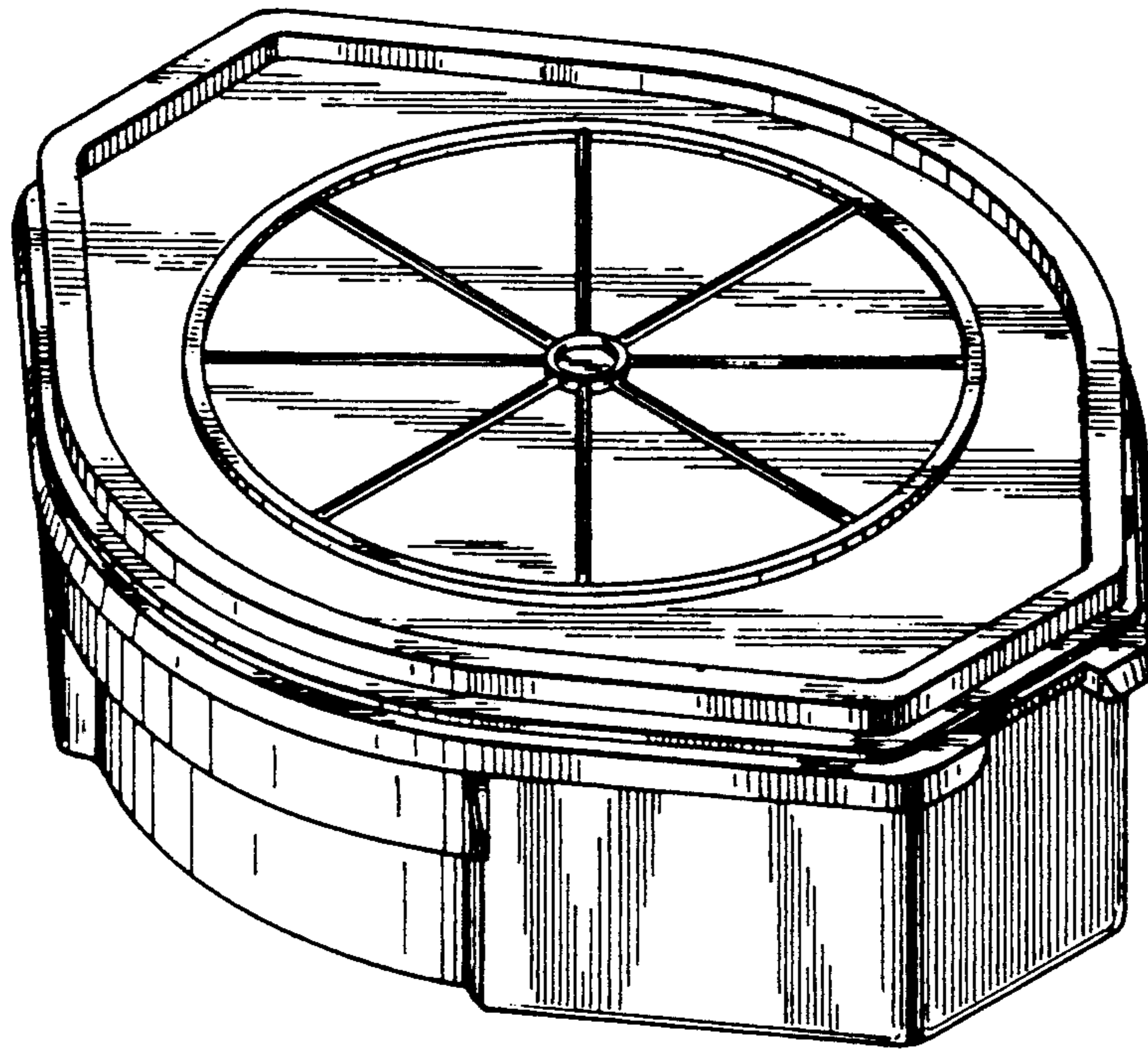
FIG. 4 is a top plan view thereof;

FIG. 5 is a bottom plan view thereof;

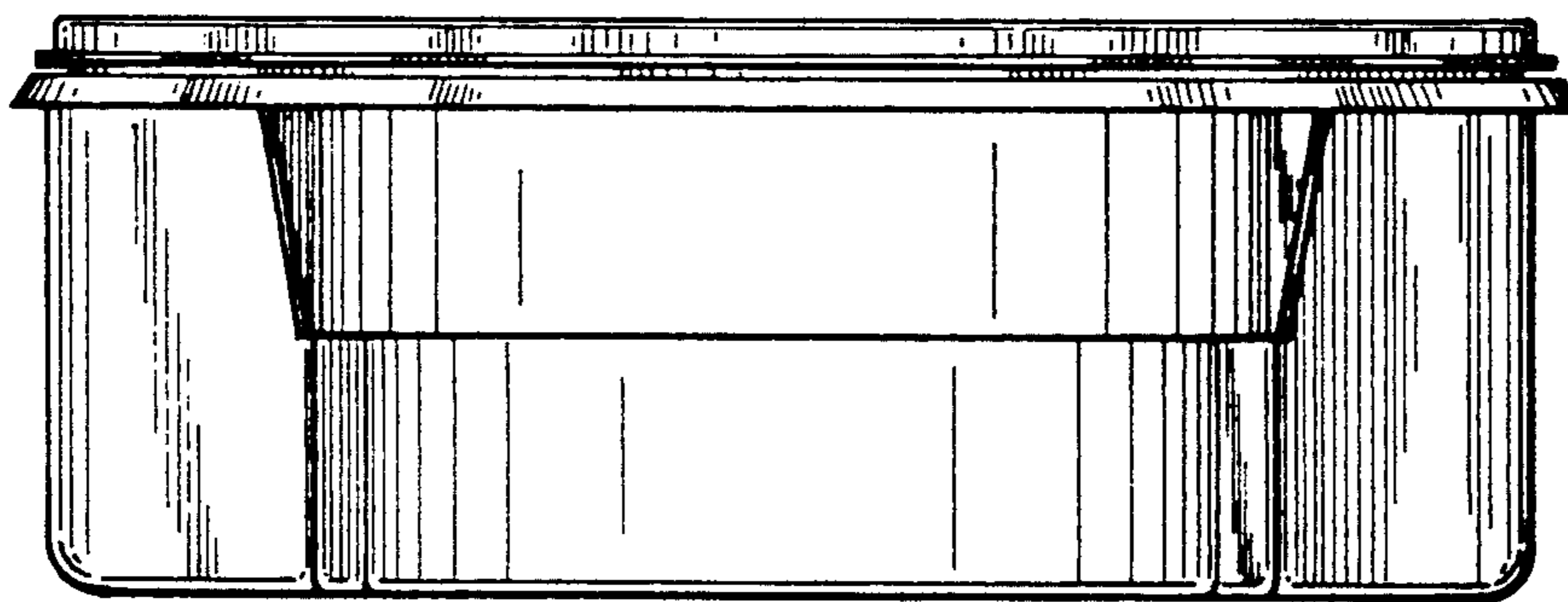
FIG. 6 is a perspective view thereof with the lid removed for clarity of illustration; and,

FIG. 7 is a top plan view of FIG. 6.

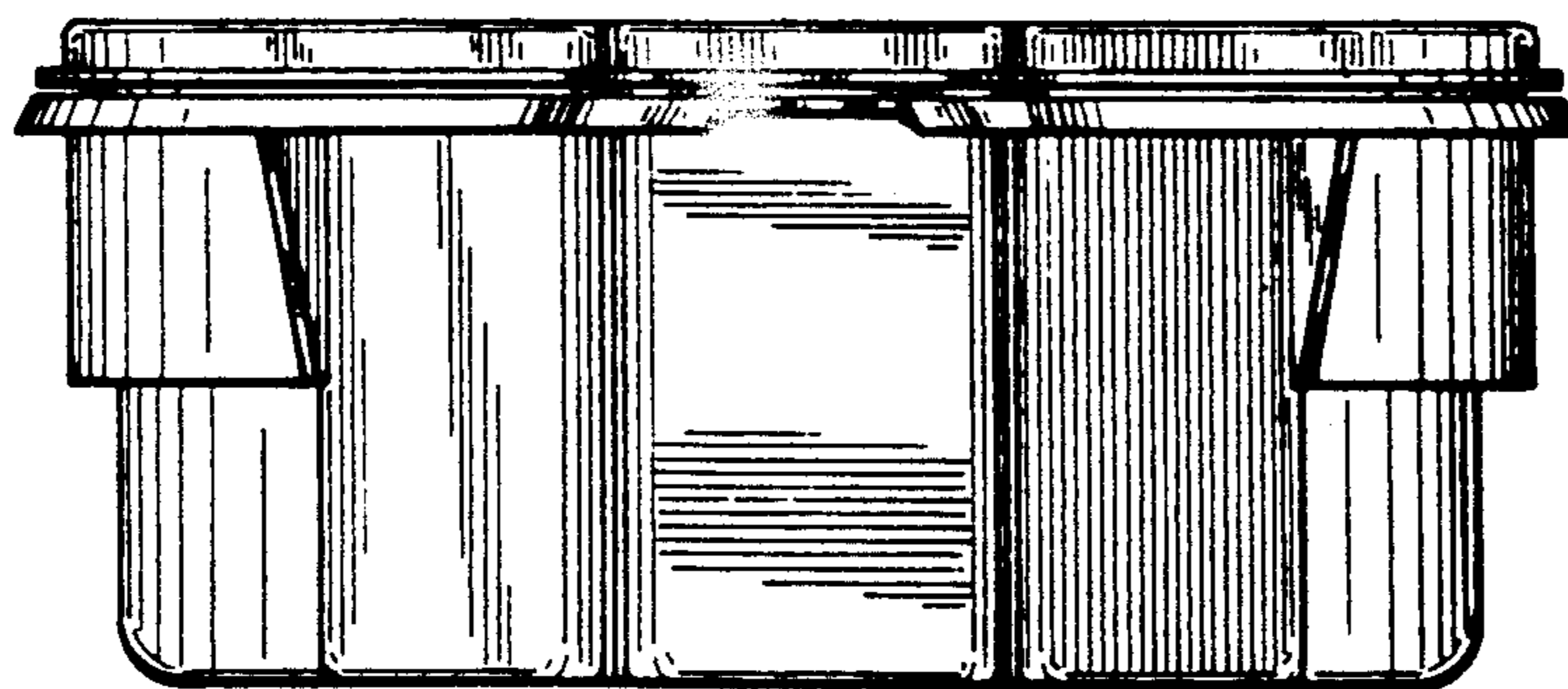




**FIG. 1**



**FIG. 2**



**FIG. 3**

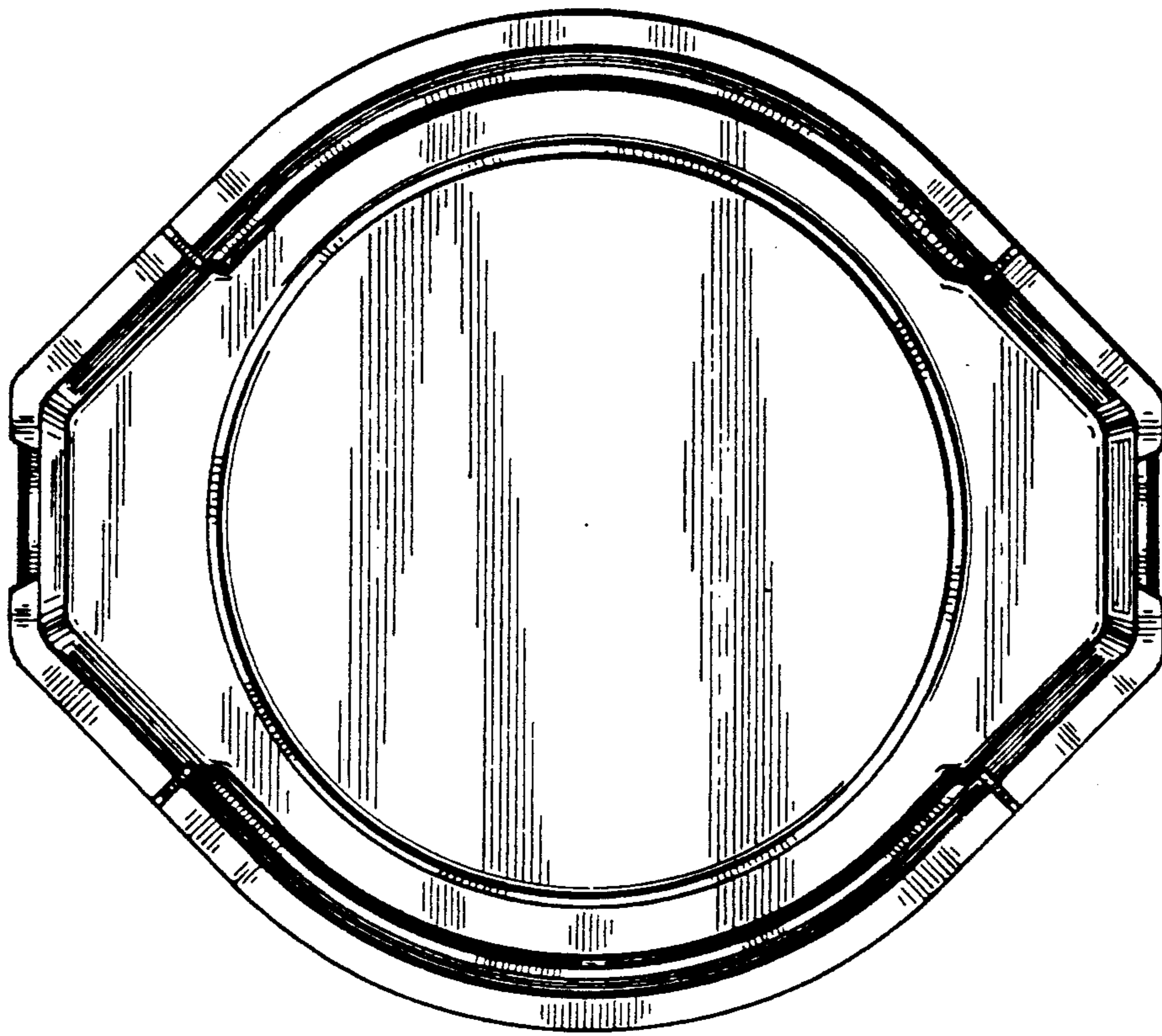


FIG. 5

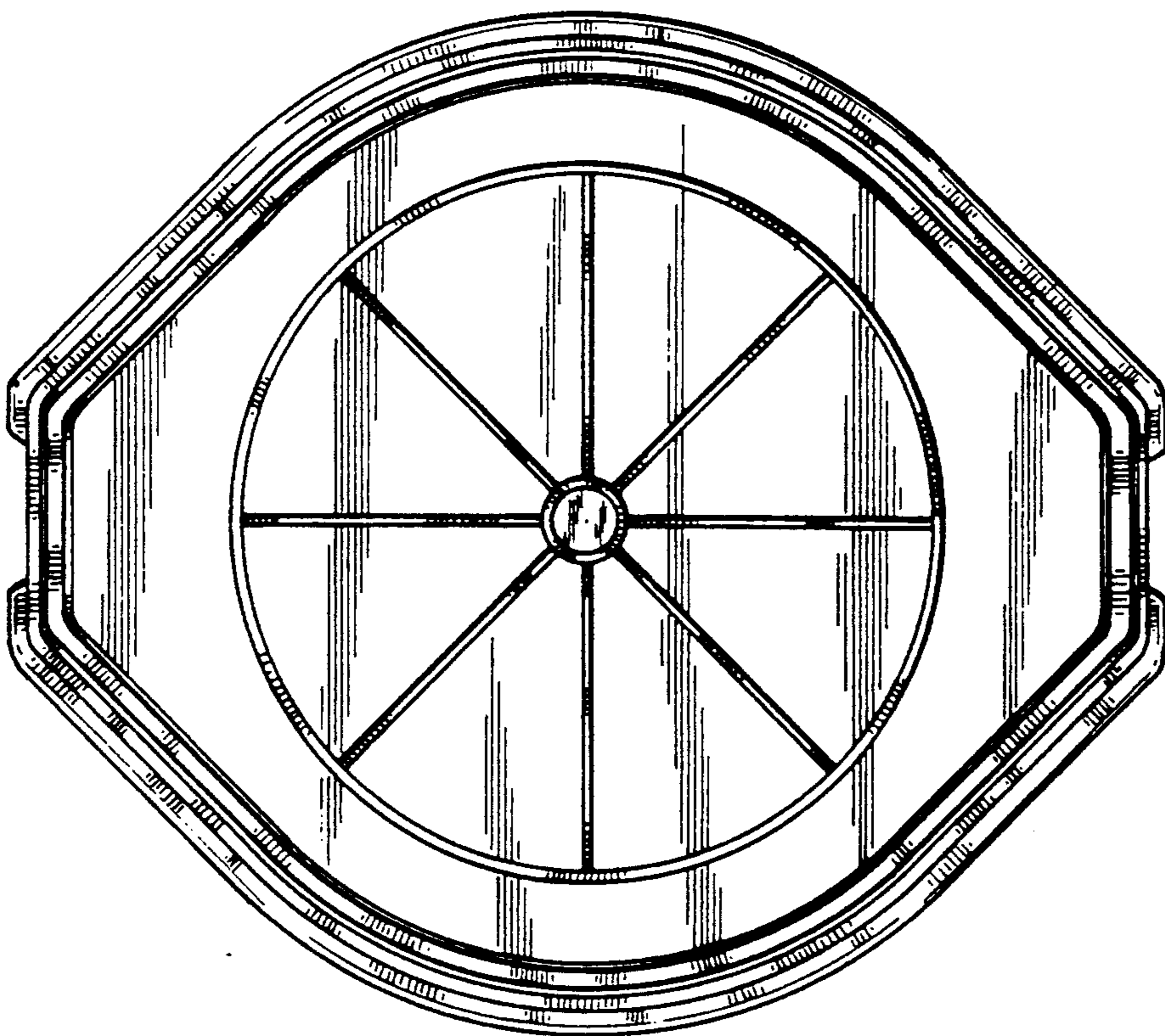


FIG. 4

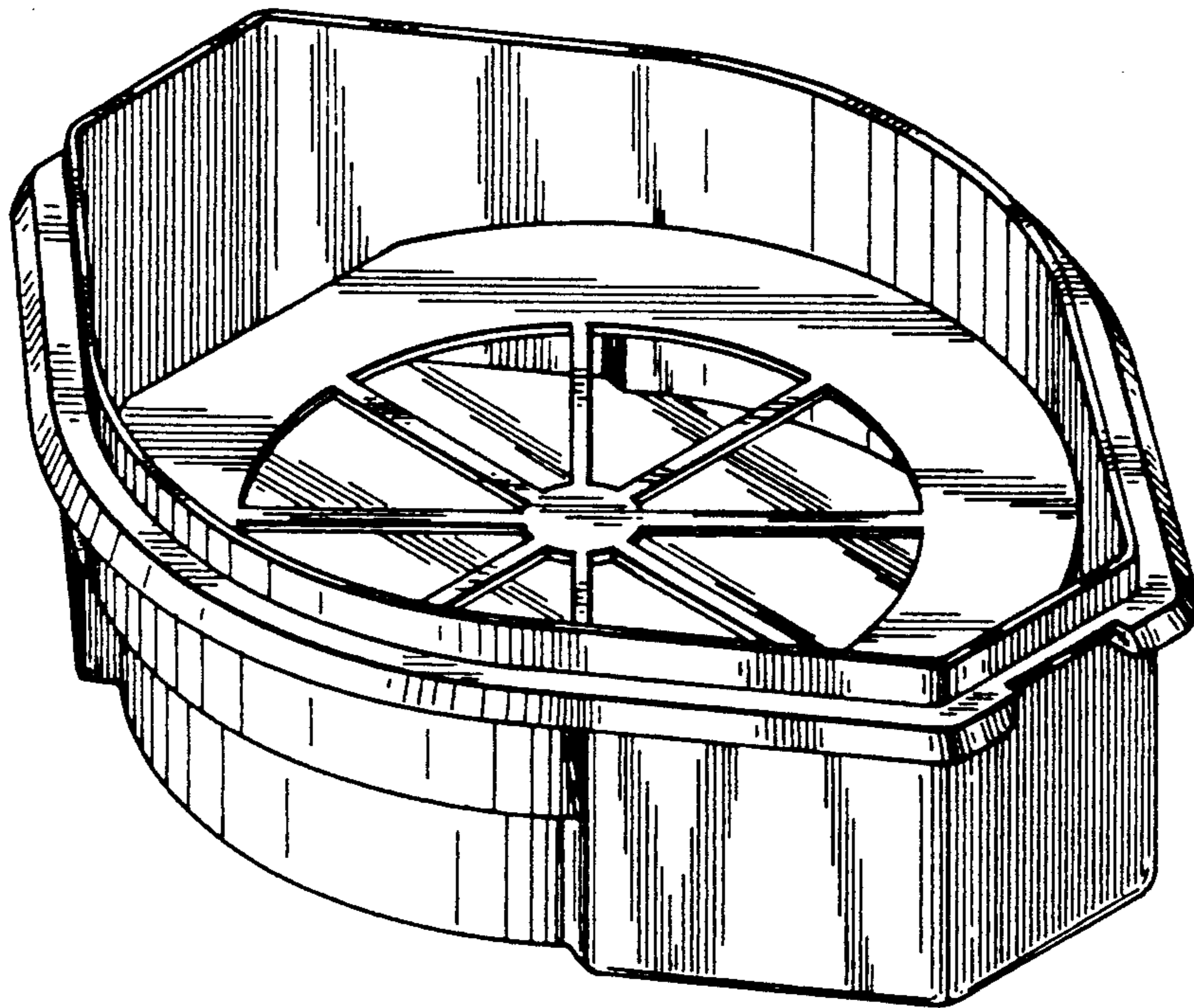


FIG. 6

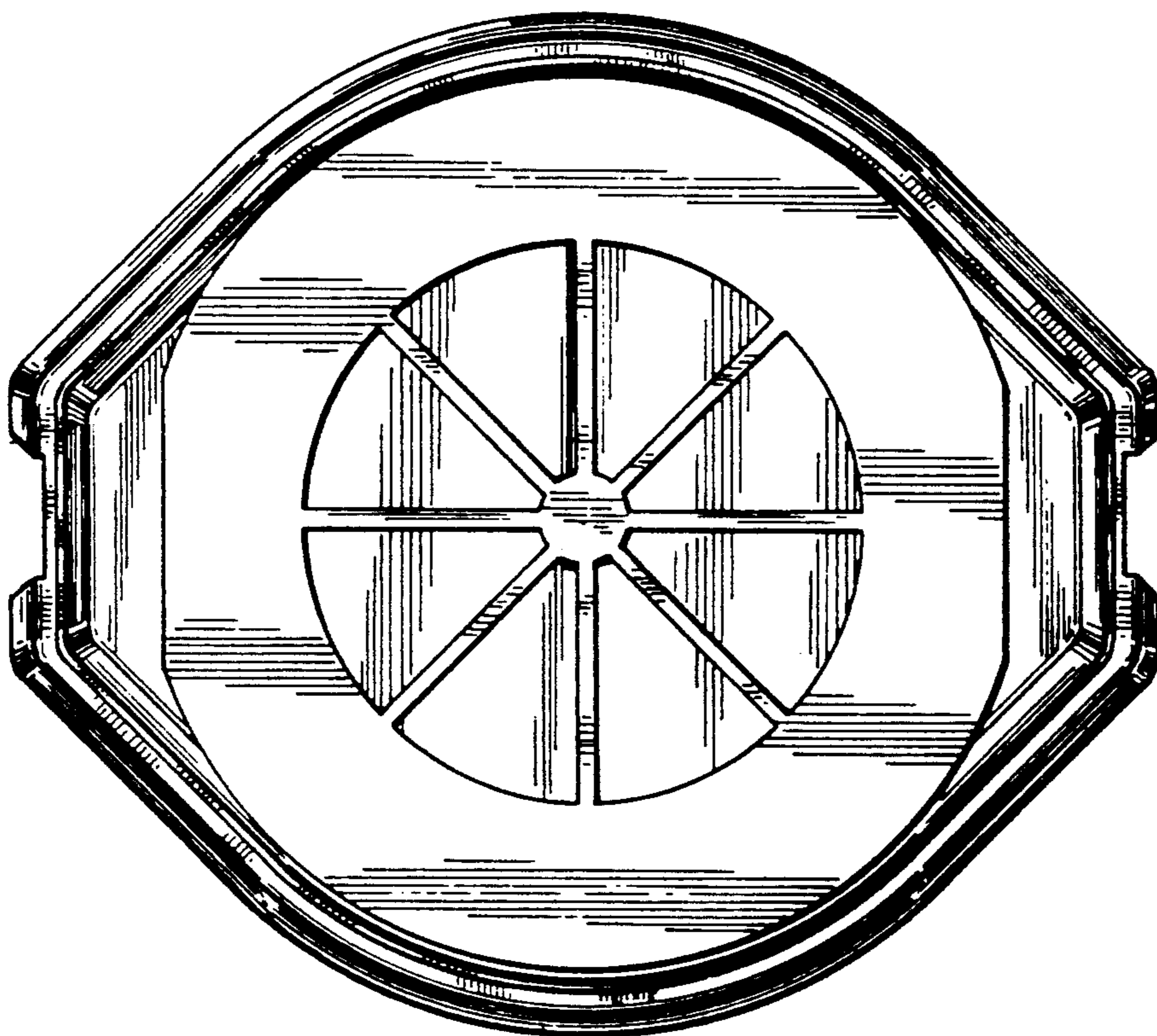


FIG. 7