



US00D343338S

# United States Patent [19]

Bucher et al.

[11] Patent Number: **Des. 343,338**

[45] Date of Patent: **\*\* Jan. 18, 1994**

[54] **DINNER TRAY**

2,963,197 12/1960 Lyon, Jr. .... 220/574 X

[75] Inventors: **Anne C. Bucher**, Rolling Meadows;  
**John C. Little**, Des Plaines, both of Ill.

[73] Assignee: **Kraft General Foods, Inc.**,  
Northfield, Ill.

[\*\*] Term: **14 Years**

[21] Appl. No.: **721,665**

[22] Filed: **Jun. 26, 1991**

[52] U.S. Cl. .... **D7/543; D7/545**

[58] Field of Search ..... **D7/500, 541, 543, 545, D7/546, 549, 550, 553, 554, 555, 586, 587, 502, 538, 542, 538; 220/575, 737, 556, 574, 667, 731, 608, 914, 912, 367, 369, 373; 108/43, 44**

[56] **References Cited**

**U.S. PATENT DOCUMENTS**

- D. 137,961 5/1944 Kapner et al. .... D7/543 X
- D. 194,277 12/1962 Curtis ..... D7/545
- D. 264,913 6/1982 Pomroy ..... D7/545
- D. 279,067 6/1985 Kuster ..... D7/550
- D. 298,295 11/1988 Finsilver et al. .... D7/545
- 1,874,807 8/1932 Rudolph ..... 220/912 X
- 2,004,449 6/1935 Stanley ..... D7/538 X

**OTHER PUBLICATIONS**

Endura Microwave Casserole Ware, Housewares May 21-27, 1986.

*Primary Examiner*—Alan P. Douglas  
*Assistant Examiner*—M. N. Pandozzi  
*Attorney, Agent, or Firm*—Fitch, Even, Tabin & Flannery

[57] **CLAIM**

The ornamental design for a dinner tray, as shown.

**DESCRIPTION**

FIG. 1 is a top front right perspective view of a dinner tray, showing our new design;  
 FIG. 2 is a top plan view thereof;  
 FIG. 3 is a right side elevational view, the left side being a mirror image thereof;  
 FIG. 4 is a bottom plan view thereof;  
 FIG. 5 is a front elevational view, the rear elevational view being a mirror image thereof;  
 FIG. 6 is a partial cross-sectional view taken along line 6—6 of FIG. 2, enlarged for convenience of illustration; and,  
 FIG. 7 is a partial cross-sectional view taken along line 7—7 of FIG. 2, enlarged for convenience of illustration.

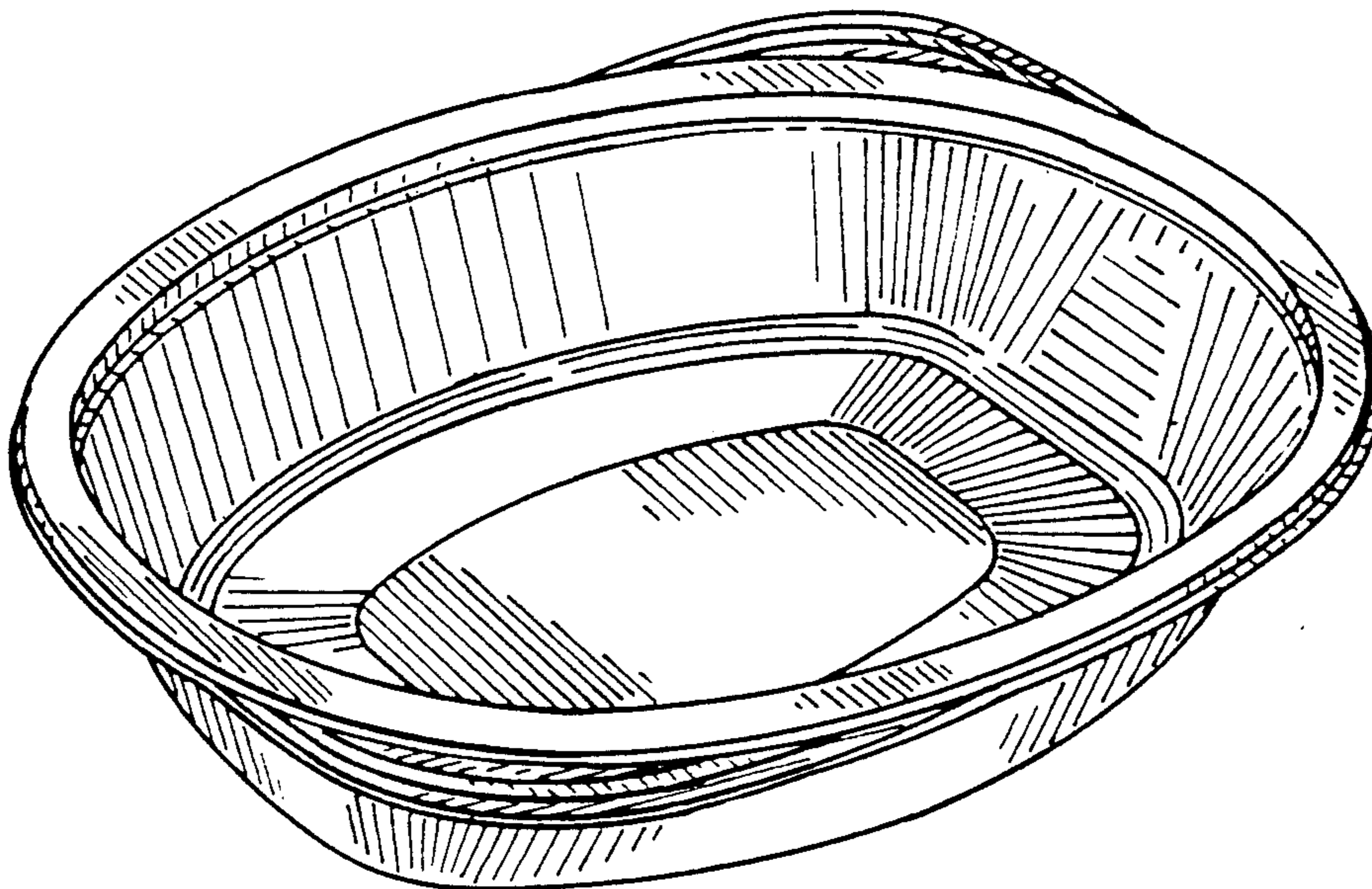


FIG. 1

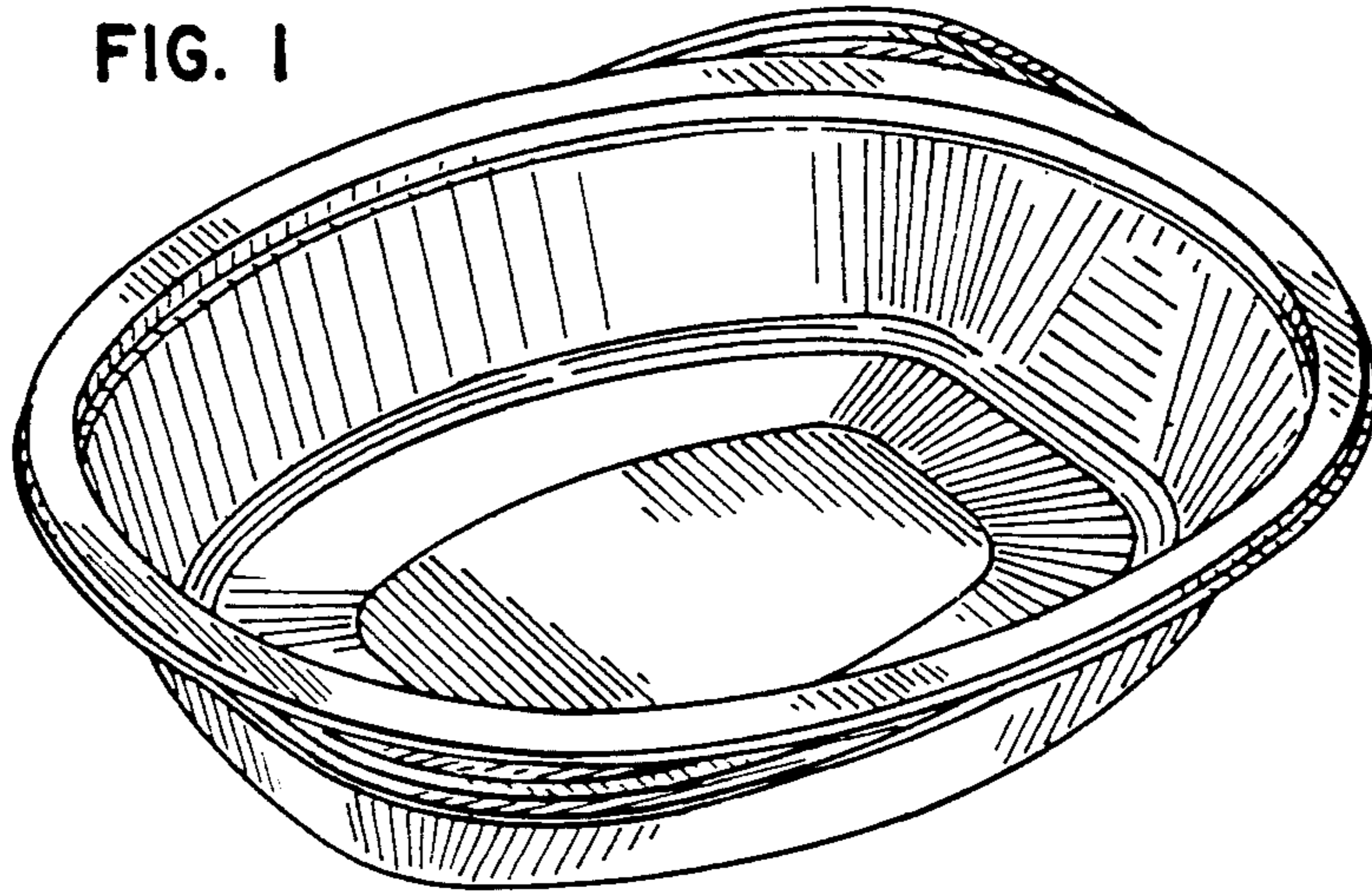


FIG. 2

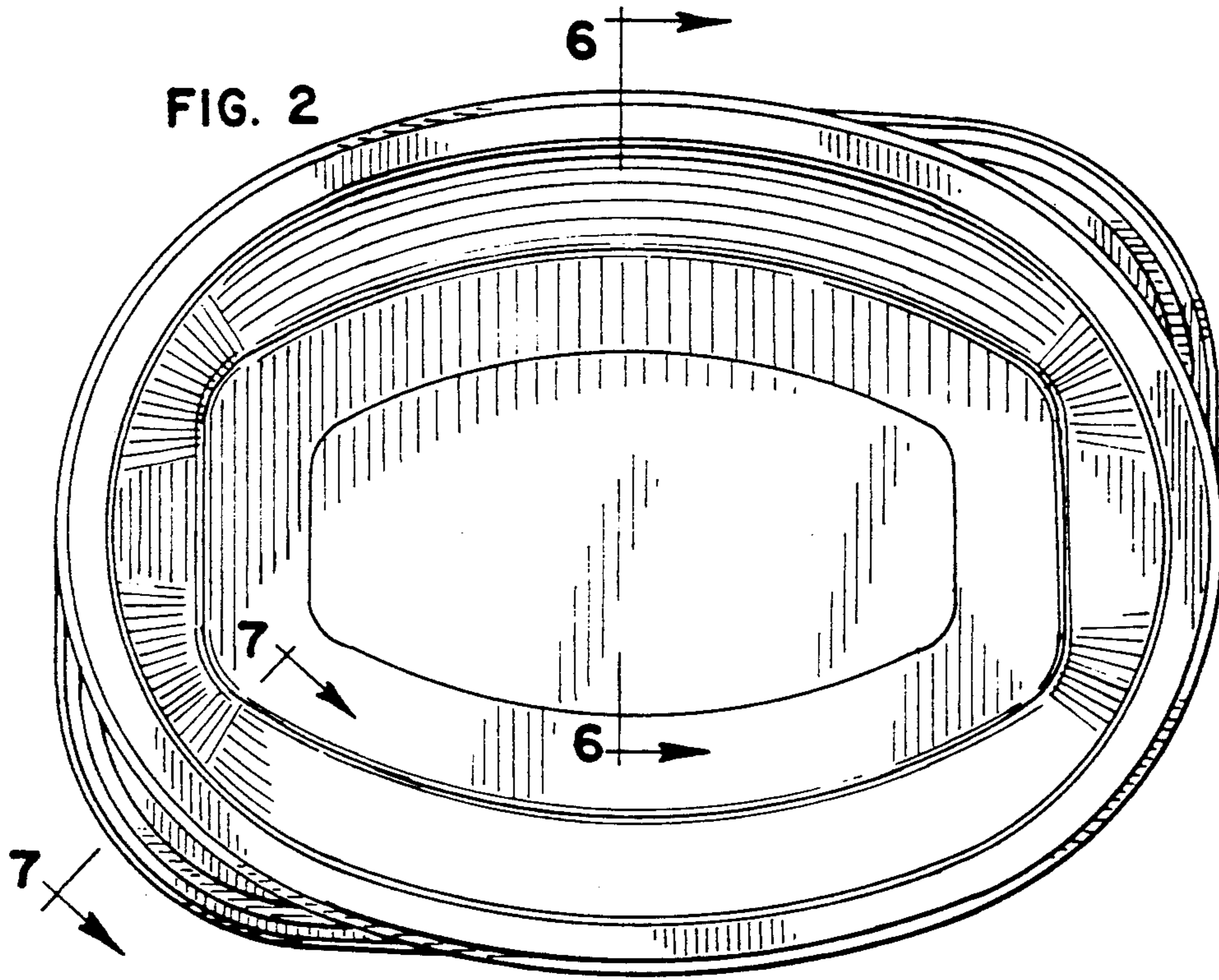


FIG. 3

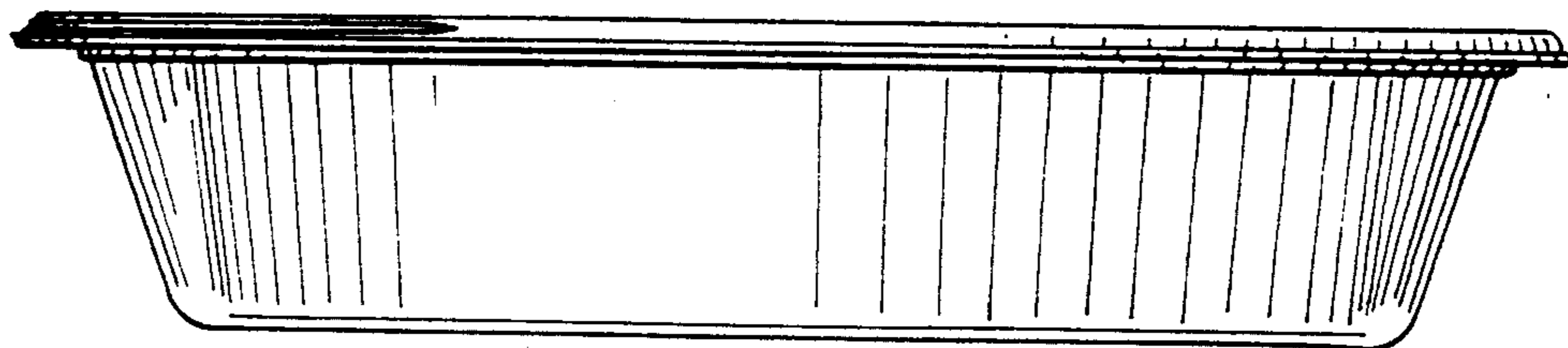




FIG. 4

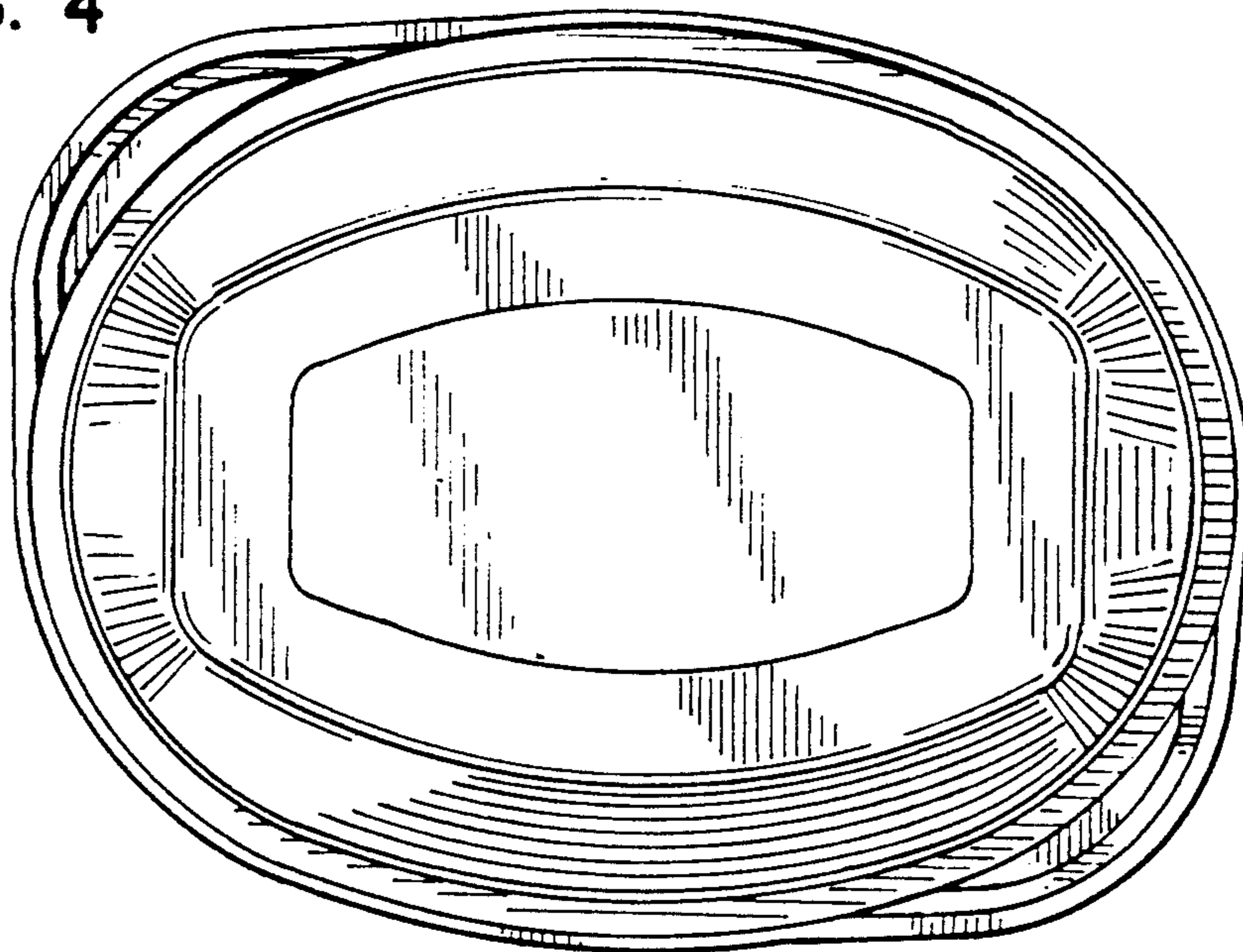


FIG. 5

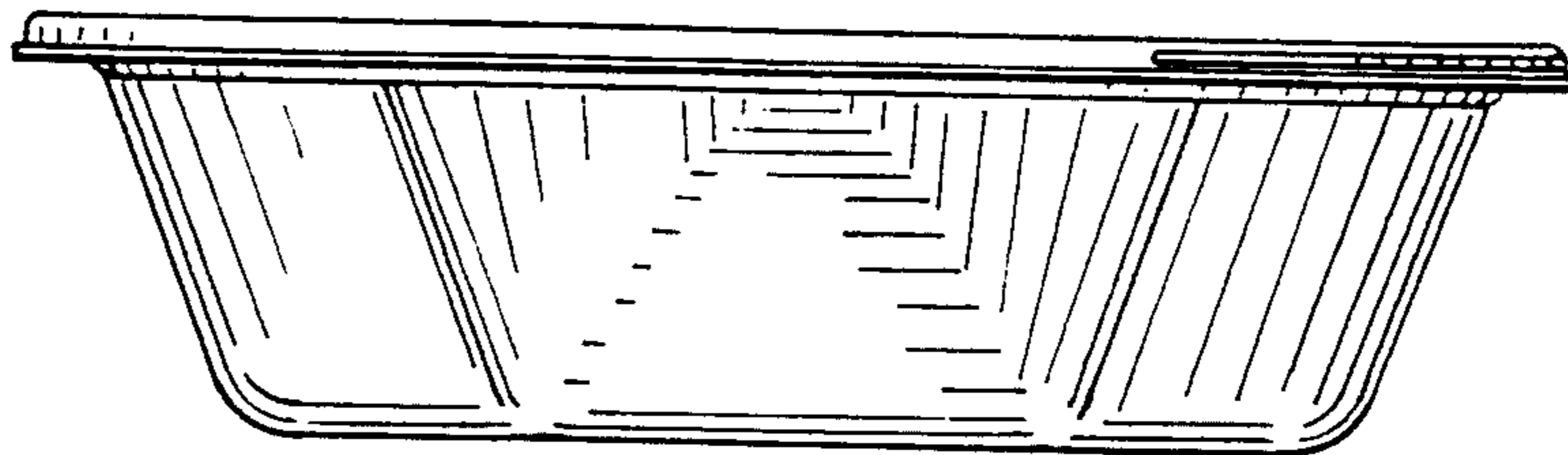


FIG. 6

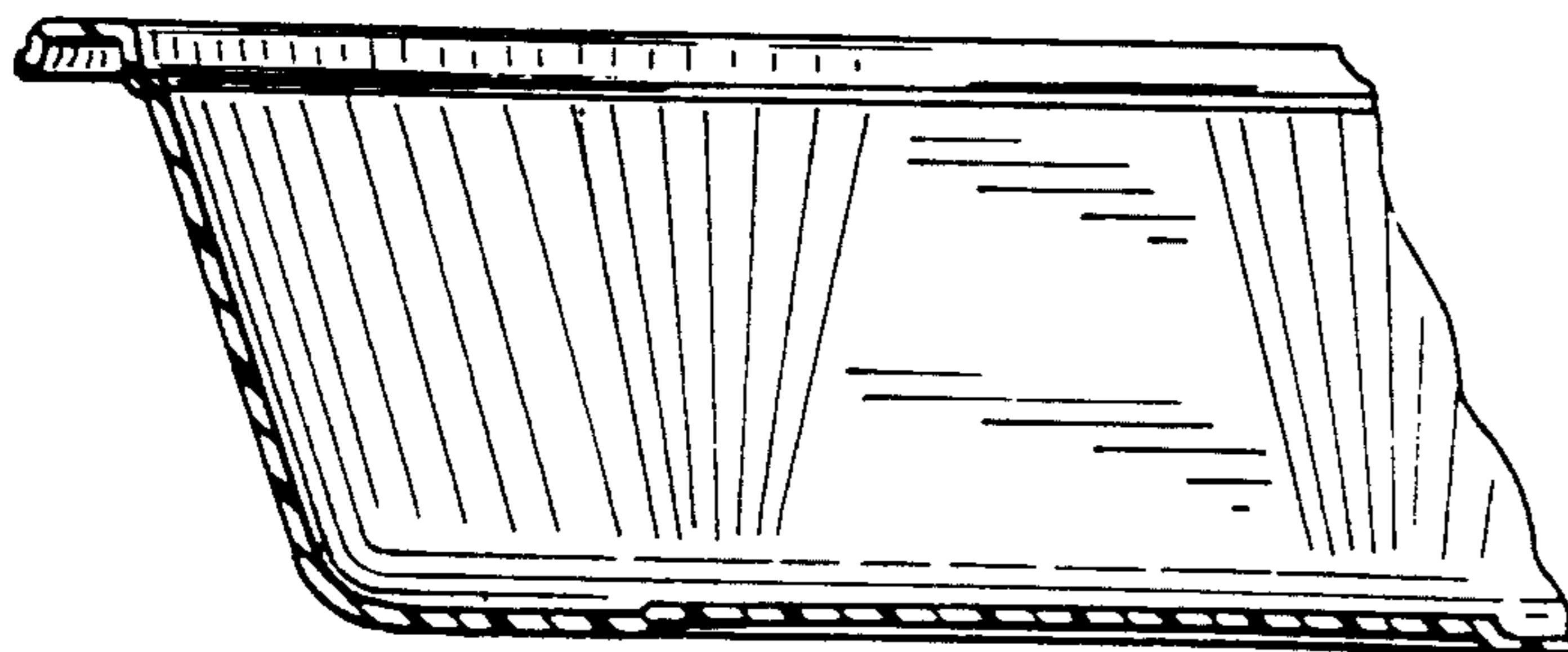


FIG. 7

